



US00D834241S

(12) **United States Design Patent**
Trzeciński

(10) **Patent No.:** **US D834,241 S**

(45) **Date of Patent:** **** Nov. 20, 2018**

(54) **HOUSING FOR A LED-BASED LIGHTING APPARATUS**

(71) Applicant: **LED Labs sp z.o.o.**, Cracow (PL)

(72) Inventor: **Grzegorz Trzeciński**, Kraków (PL)

(73) Assignee: **LED Labs sp. z o.o.**, Cracow (PL)

(**) Term: **15 Years**

(21) Appl. No.: **29/613,734**

(22) Filed: **Aug. 12, 2017**

(51) **LOC (11) Cl.** **26-05**

(52) **U.S. Cl.**
USPC **D26/142**

(58) **Field of Classification Search**
USPC D26/142, 143, 148; D25/35, 38.1, 41.1,
D25/43, 44, 48.1, 48.2, 55, 119-120, 136,
D25/137, 164, 199
CPC E06B 1/02; E06B 1/04; E04C 2/30; A47B
43/00; A47F 5/00; E04B 2/74
See application file for complete search history.

(56) **References Cited**

U.S. PATENT DOCUMENTS

D393,319 S	*	4/1998	Reuter	D25/119
D427,326 S	*	6/2000	Bevan	D25/121
D427,327 S	*	6/2000	Bevan	D25/121
D427,694 S	*	7/2000	Bevan	D25/121
D428,161 S	*	7/2000	Bevan	D25/121

D529,201 S	*	9/2006	Mann	D25/164
D554,422 S	*	11/2007	Lin	D6/580
D602,346 S	*	10/2009	Allsopp	D8/369
D649,685 S	*	11/2011	Trzesniowski	D26/138
D649,686 S	*	11/2011	Trzesniowski	D26/138
D649,689 S	*	11/2011	Trzesniowski	D26/138
D649,690 S	*	11/2011	Trzesniowski	D26/138
D649,693 S	*	11/2011	Trzesniowski	D26/138
D757,240 S	*	5/2016	Forlong	D23/393
D770,029 S	*	10/2016	Guillemi	D23/392
D772,435 S	*	11/2016	Bonuccelli	D25/122

* cited by examiner

Primary Examiner — Mark A Goodwin

Assistant Examiner — Benjamin M Weeks

(74) *Attorney, Agent, or Firm* — Andrew Malarz, Esq.

(57) **CLAIM**

The ornamental design for a housing for a LED-based lighting apparatus, as shown and described.

DESCRIPTION

FIG. 1 is a front isometric view of a housing for a LED based lighting apparatus;

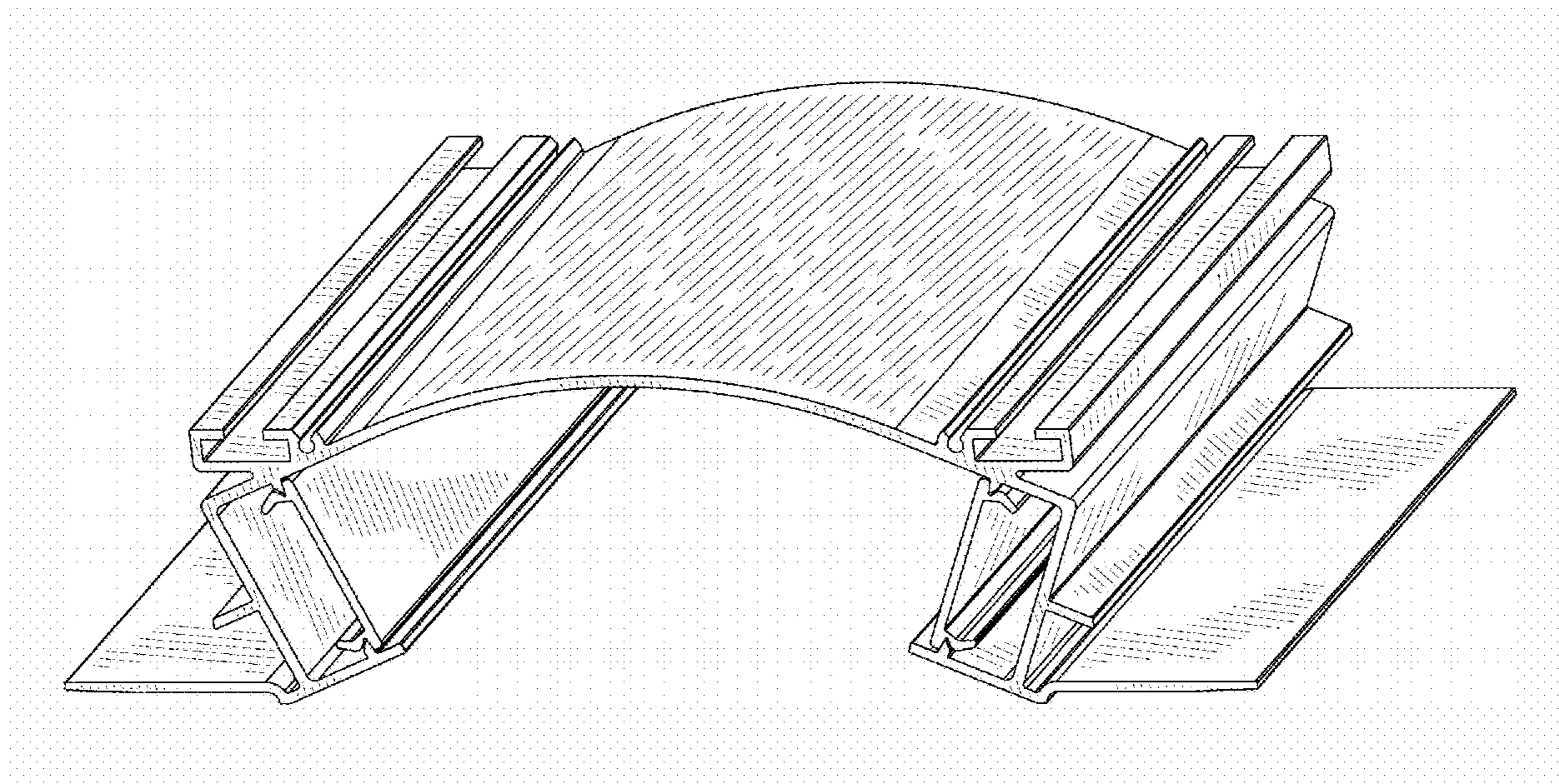
FIG. 2 is a front view of the housing for a LED based lighting apparatus shown in FIG. 1;

FIG. 3 is a bottom view of the housing for a LED based lighting apparatus shown in FIG. 1;

FIG. 4 is a top view of the housing for a LED based lighting apparatus shown in FIG. 1; and,

FIG. 5 is a side view of the housing for a LED based lighting apparatus shown in FIG. 1.

1 Claim, 5 Drawing Sheets



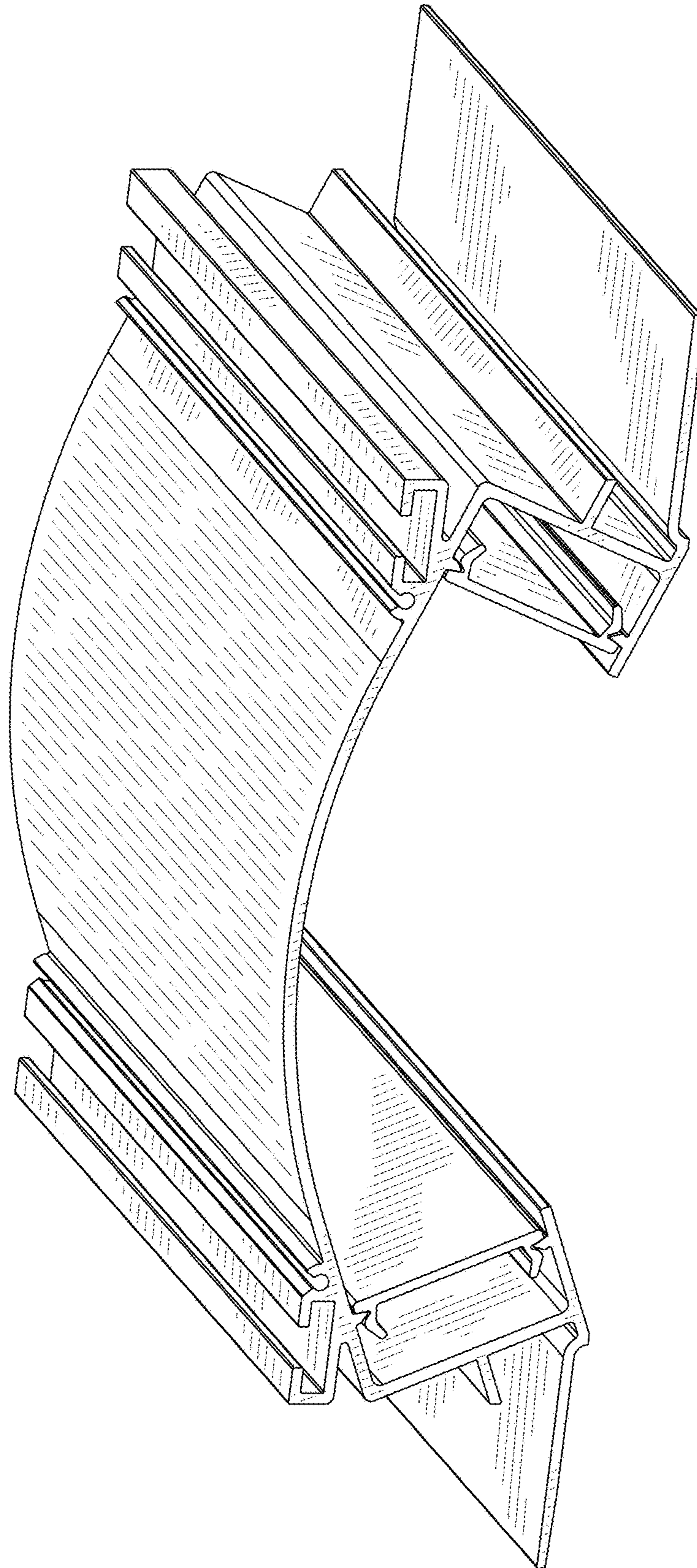


FIG. 1.

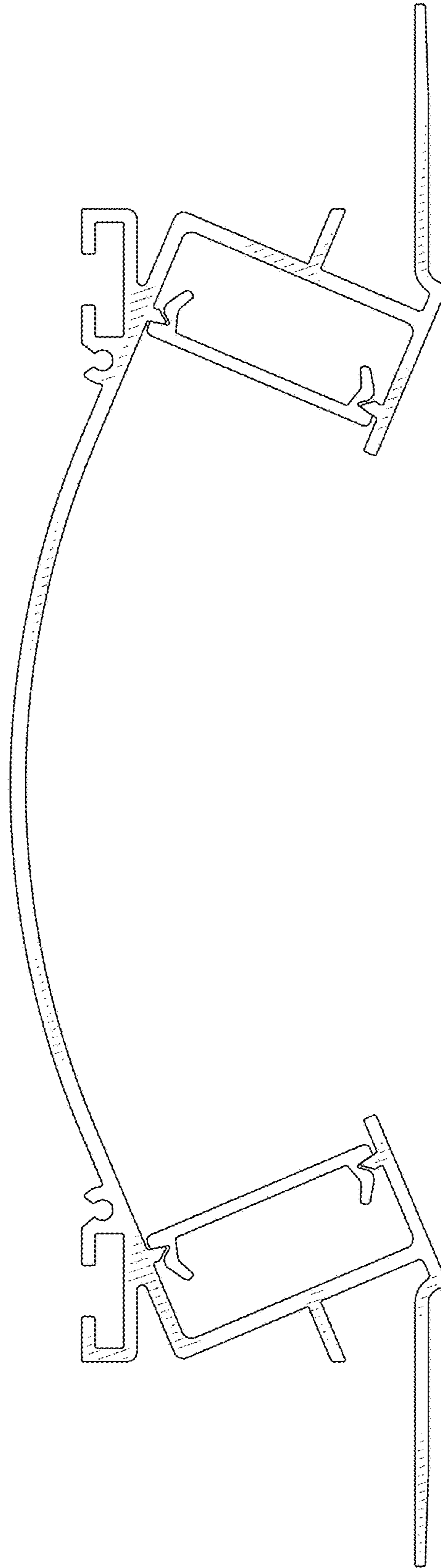


FIG. 2

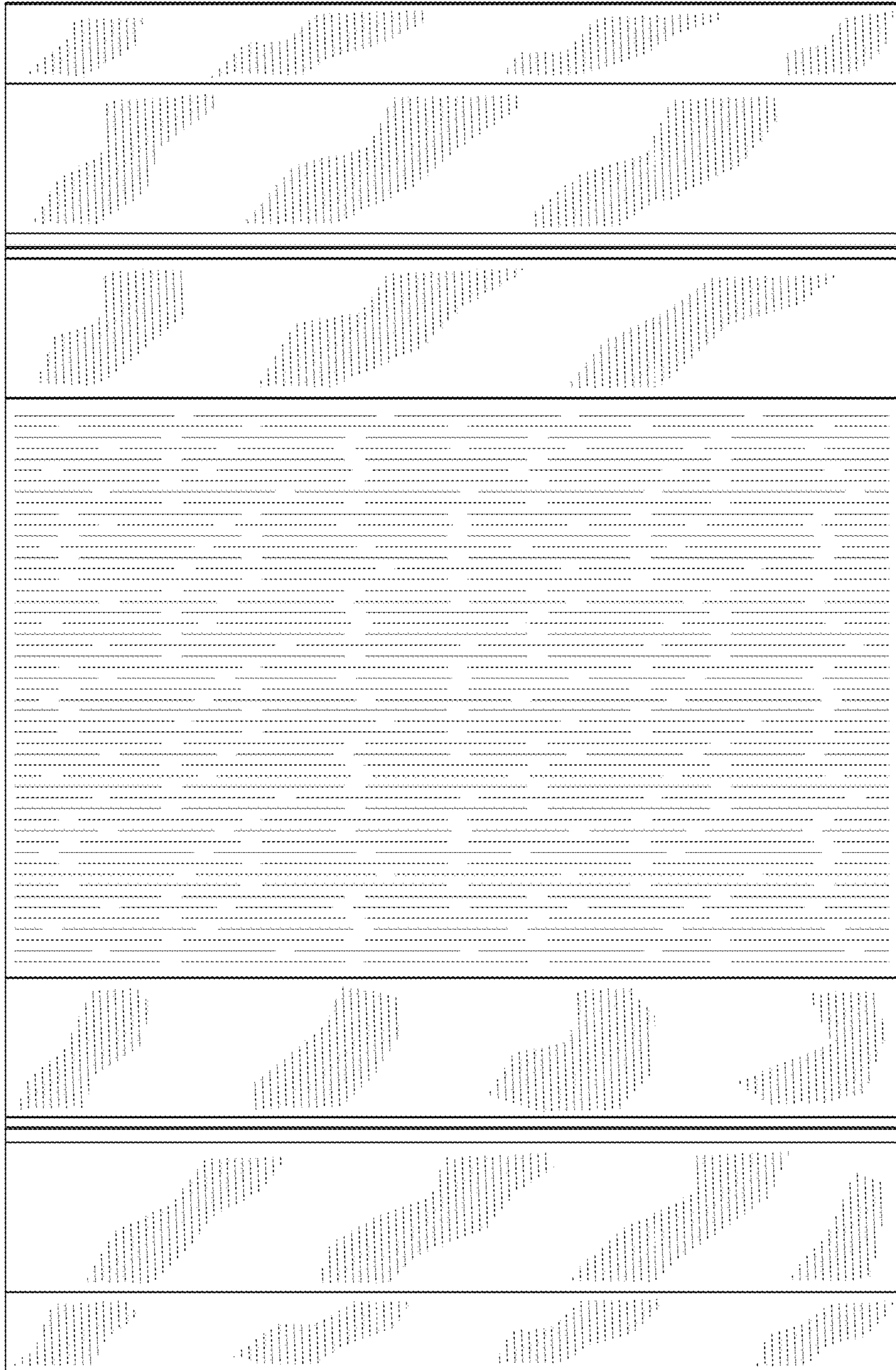


FIG. 3

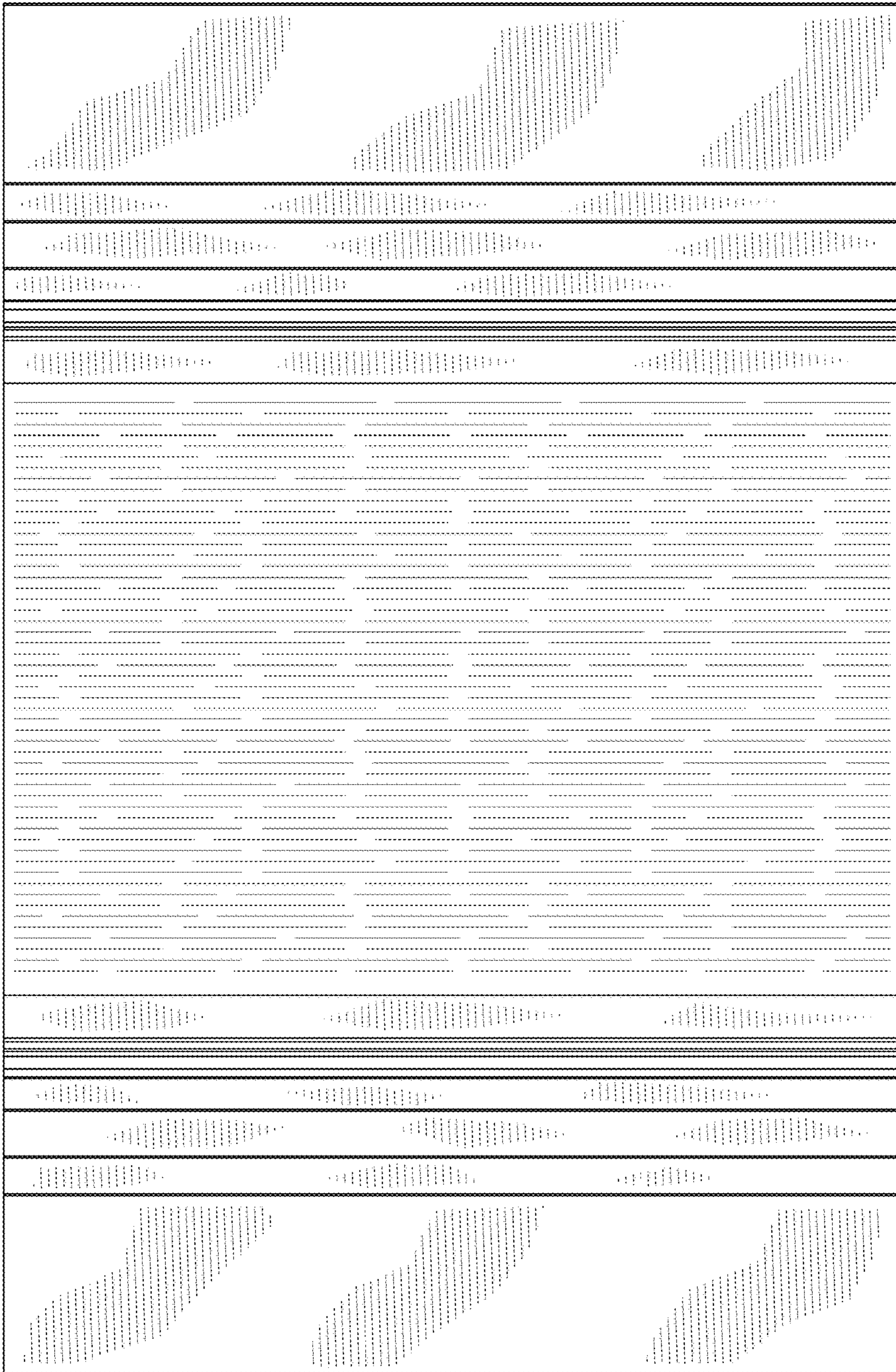


FIG. 4.

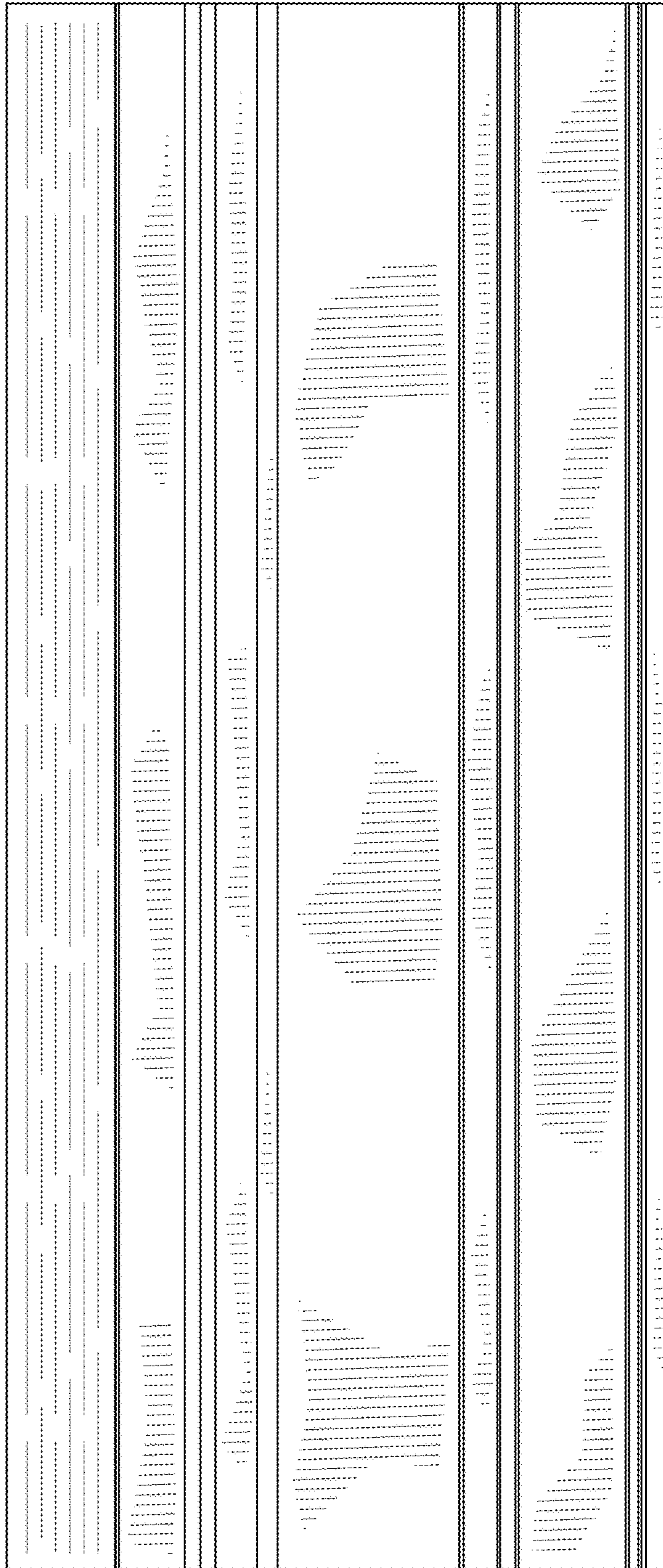


FIG. 5