



US00D834240S

(12) **United States Design Patent**  
**Mullen**

(10) **Patent No.:** **US D834,240 S**

(45) **Date of Patent:** **\*\* Nov. 20, 2018**

(54) **LIGHTING STAKE SUPPORT**

(71) Applicant: **Nate Mullen**, Valley Center, CA (US)

(72) Inventor: **Nate Mullen**, Valley Center, CA (US)

(\*\*) Term: **15 Years**

(21) Appl. No.: **29/622,584**

(22) Filed: **Oct. 18, 2017**

(51) **LOC (11) Cl.** ..... **26-05**

(52) **U.S. Cl.**  
USPC ..... **D26/138**

(58) **Field of Classification Search**  
USPC ..... D26/2, 3, 23-27, 37-40, 60-65, 68,  
D26/70-72, 74, 76, 80-87

CPC ..... F21S 2/00; F21S 4/20; F21S 8/00; F21S  
8/02; F21S 8/031; F21S 8/035

See application file for complete search history.

(56) **References Cited**

**U.S. PATENT DOCUMENTS**

D282,104 S *	1/1986	Taylor	.....	D25/131
D323,408 S *	1/1992	Butler	.....	D26/138
D333,526 S *	2/1993	Taylor	.....	D25/131
D555,277 S *	11/2007	Stekelenburg	.....	D26/68
D605,808 S *	12/2009	Sanoner	.....	D26/68
D651,333 S *	12/2011	Schrimmer	.....	D26/37
D667,147 S *	9/2012	Choi	.....	D26/2
D763,476 S *	8/2016	Cheng	.....	D26/2
D773,707 S *	12/2016	Lentine	.....	D26/63
D779,711 S *	2/2017	Salomon	.....	D26/138
D797,975 S *	9/2017	Lentine	.....	D26/63

D798,484 S *	9/2017	Lentine	.....	D26/63
9,752,761 B2 *	9/2017	Lentine	.....	F21V 21/0824
D804,715 S *	12/2017	Lentine	.....	D26/142
D816,263 S *	4/2018	Chang	.....	D26/138
D825,808 S *	8/2018	Hsu	.....	D26/68

\* cited by examiner

*Primary Examiner* — Mark A Goodwin

*Assistant Examiner* — Benjamin M Weeks

(74) *Attorney, Agent, or Firm* — Kelly & Kelley, LLP

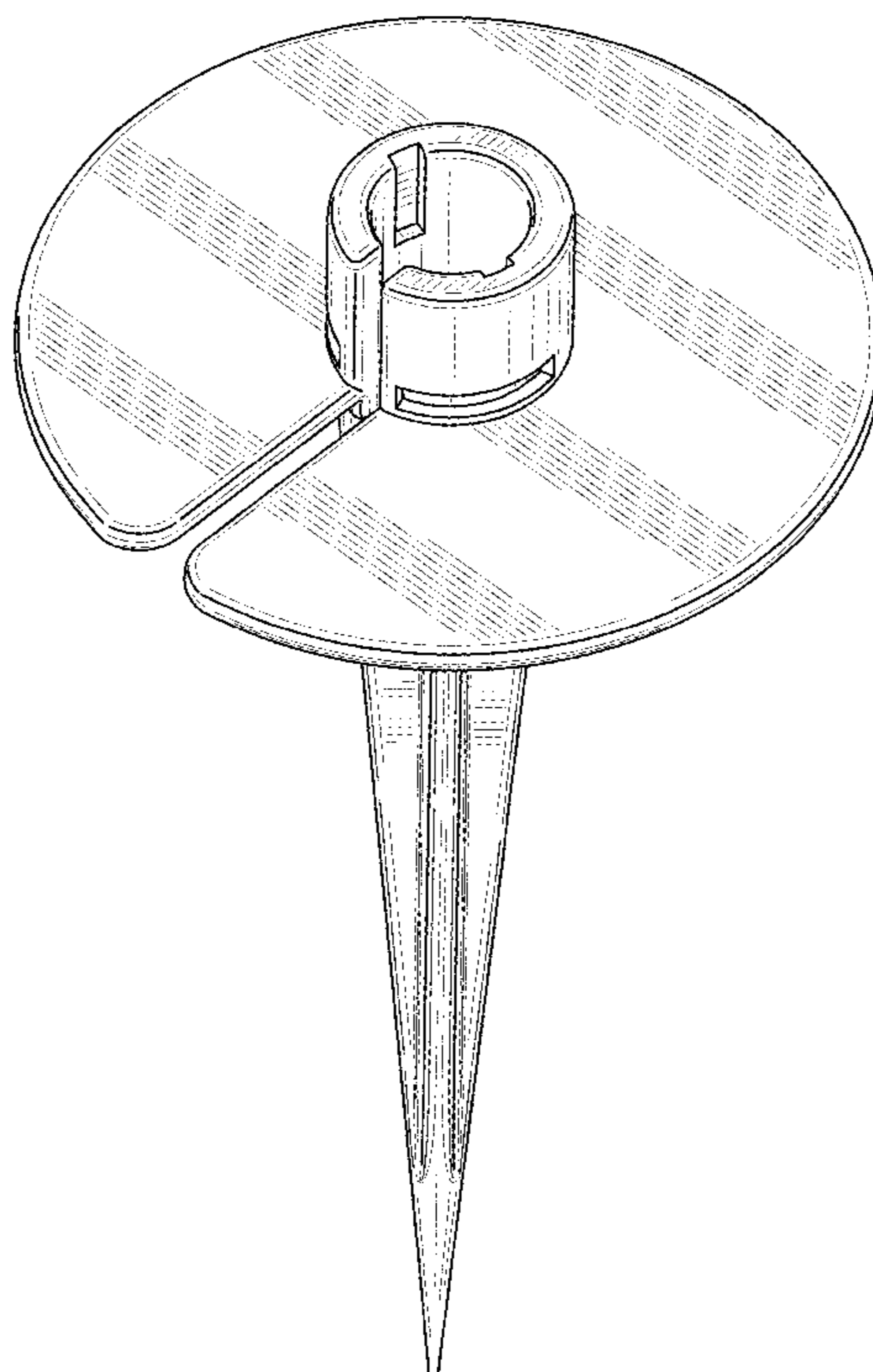
(57) **CLAIM**

The ornamental design for a lighting stake support, as shown.

**DESCRIPTION**

FIG. 1 is a perspective view from an elevated angle of the lighting stake support of the present invention;  
 FIG. 2 is a perspective view from an opposite lowered angle of the lighting stake support of the present invention;  
 FIG. 3 is a front view of the lighting stake support of the present invention;  
 FIG. 4 is a back view of the lighting stake support of the present invention;  
 FIG. 5 is a left side view of the lighting stake support of the present invention;  
 FIG. 6 is a right side view of the lighting stake support of the present invention;  
 FIG. 7 is a top view of the lighting stake support of the present invention; and,  
 FIG. 8 is a bottom view of the lighting stake support of the present invention.

**1 Claim, 8 Drawing Sheets**



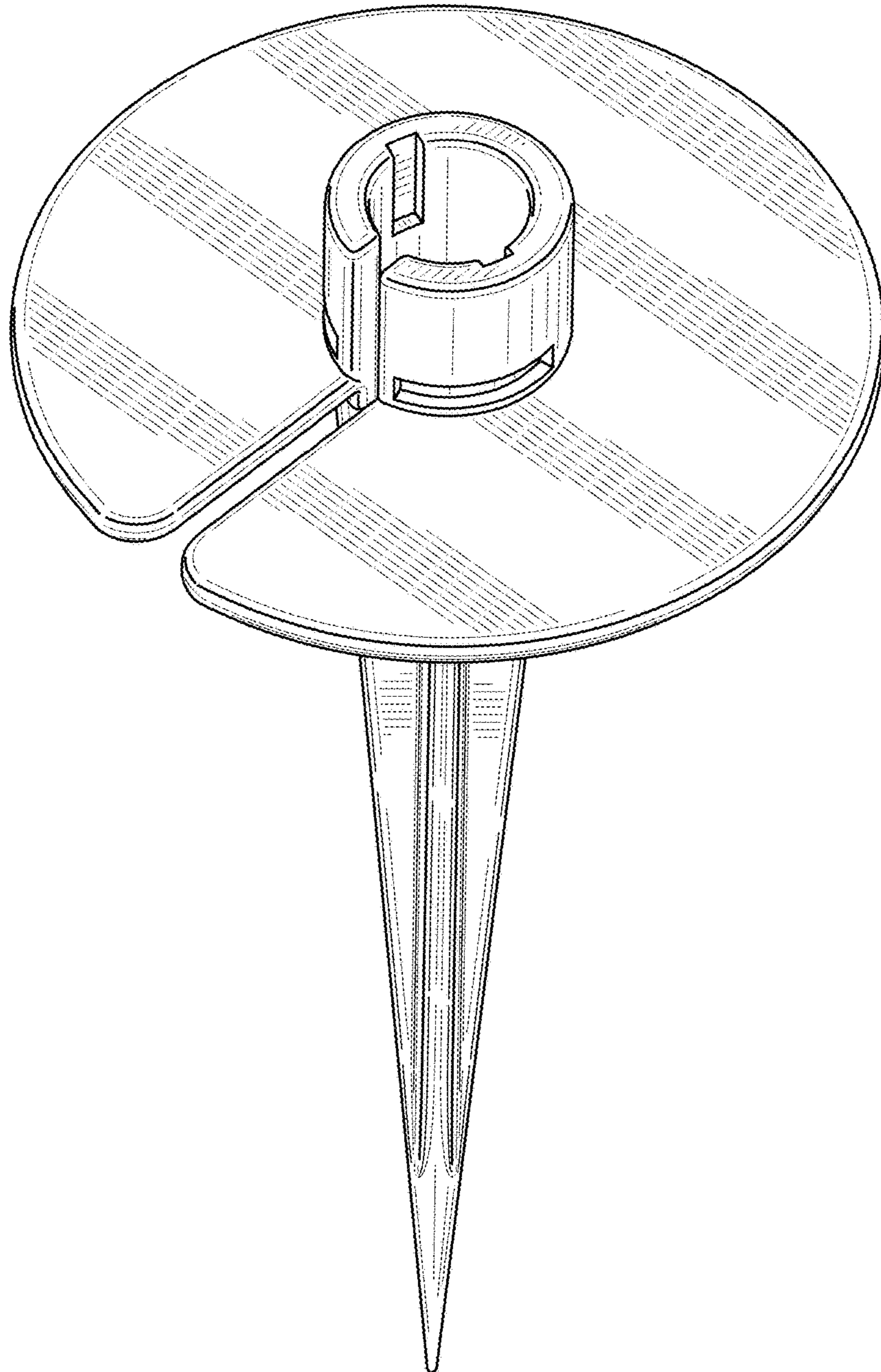


FIG. 1

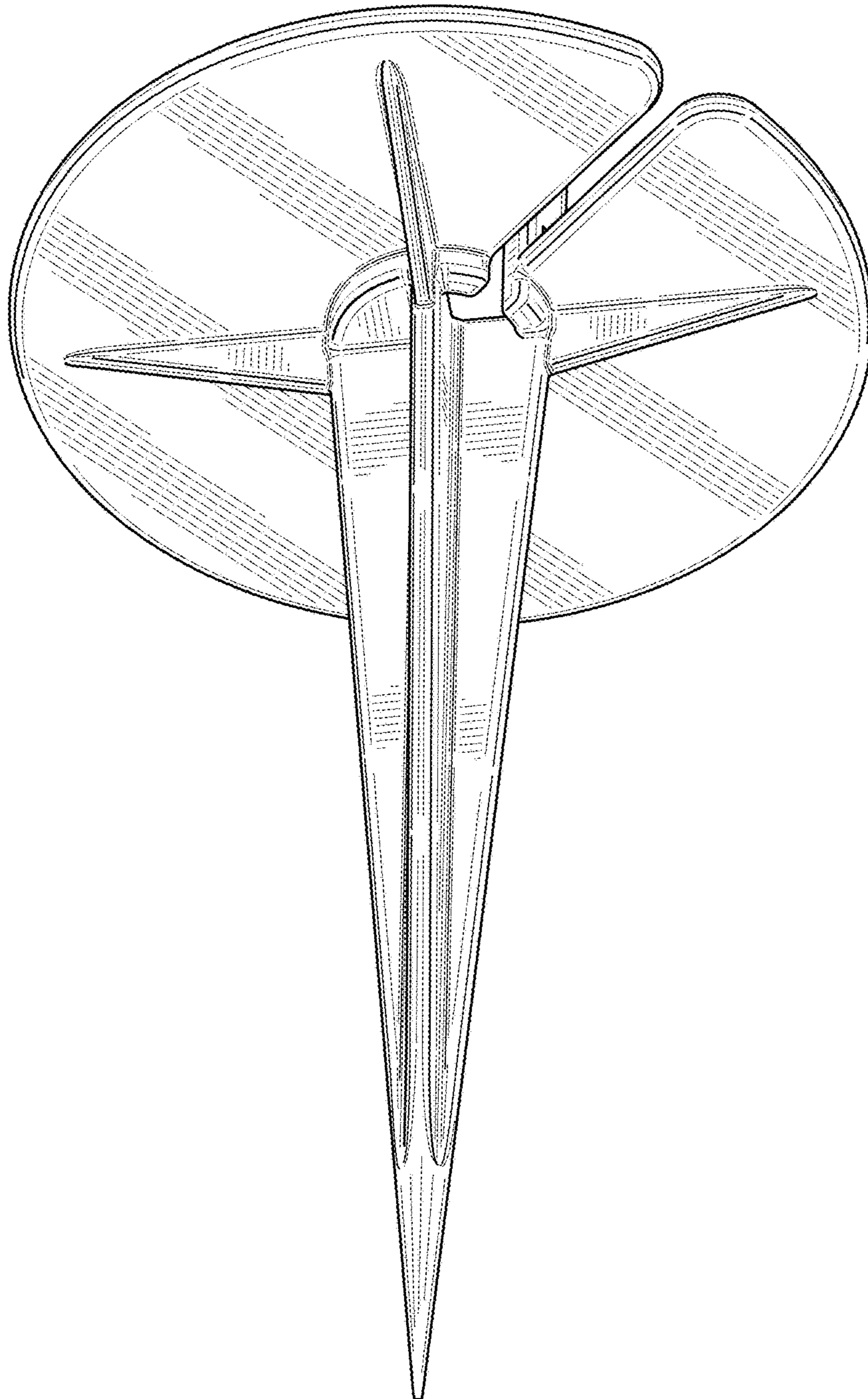


FIG. 2

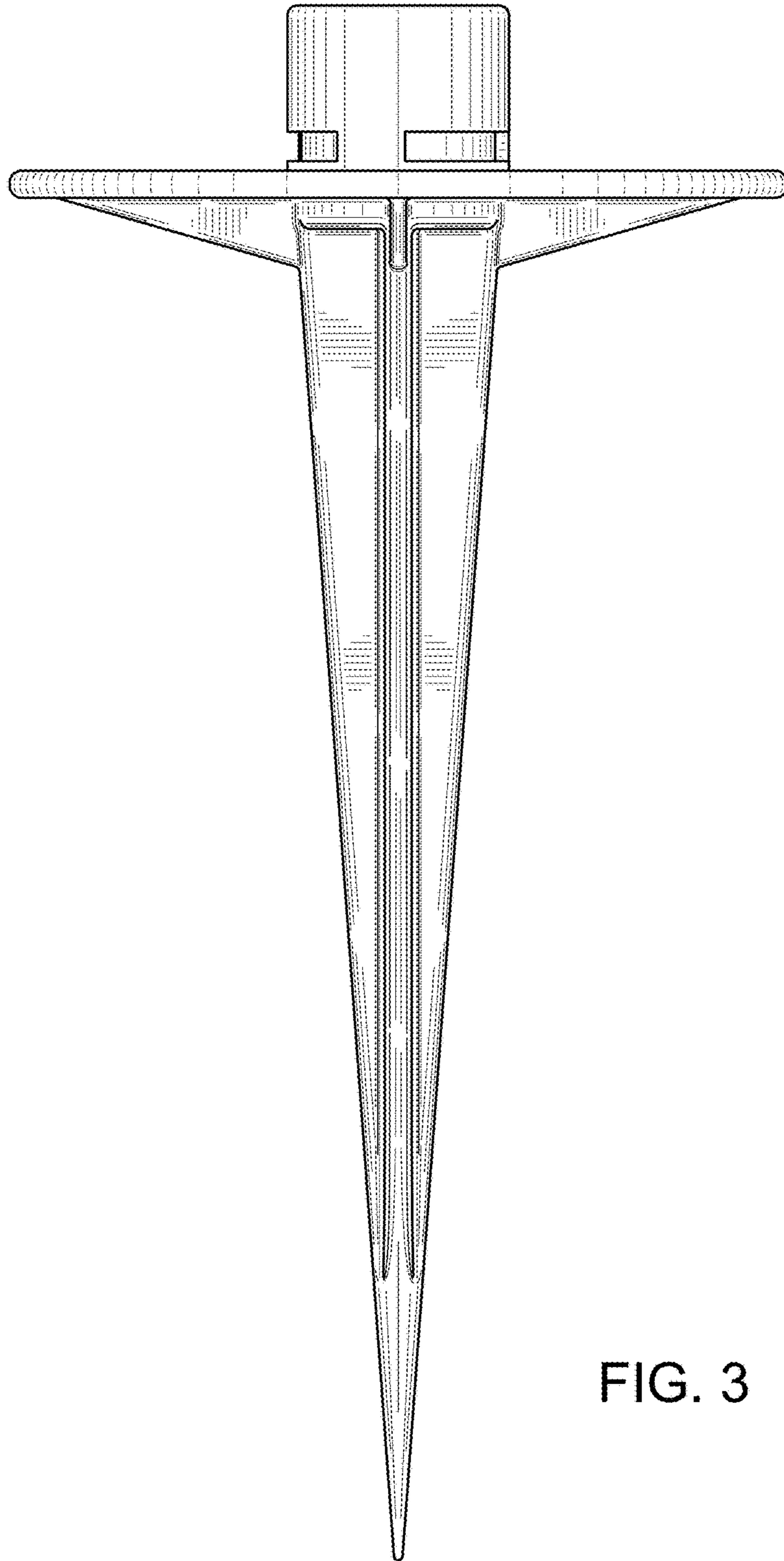


FIG. 3

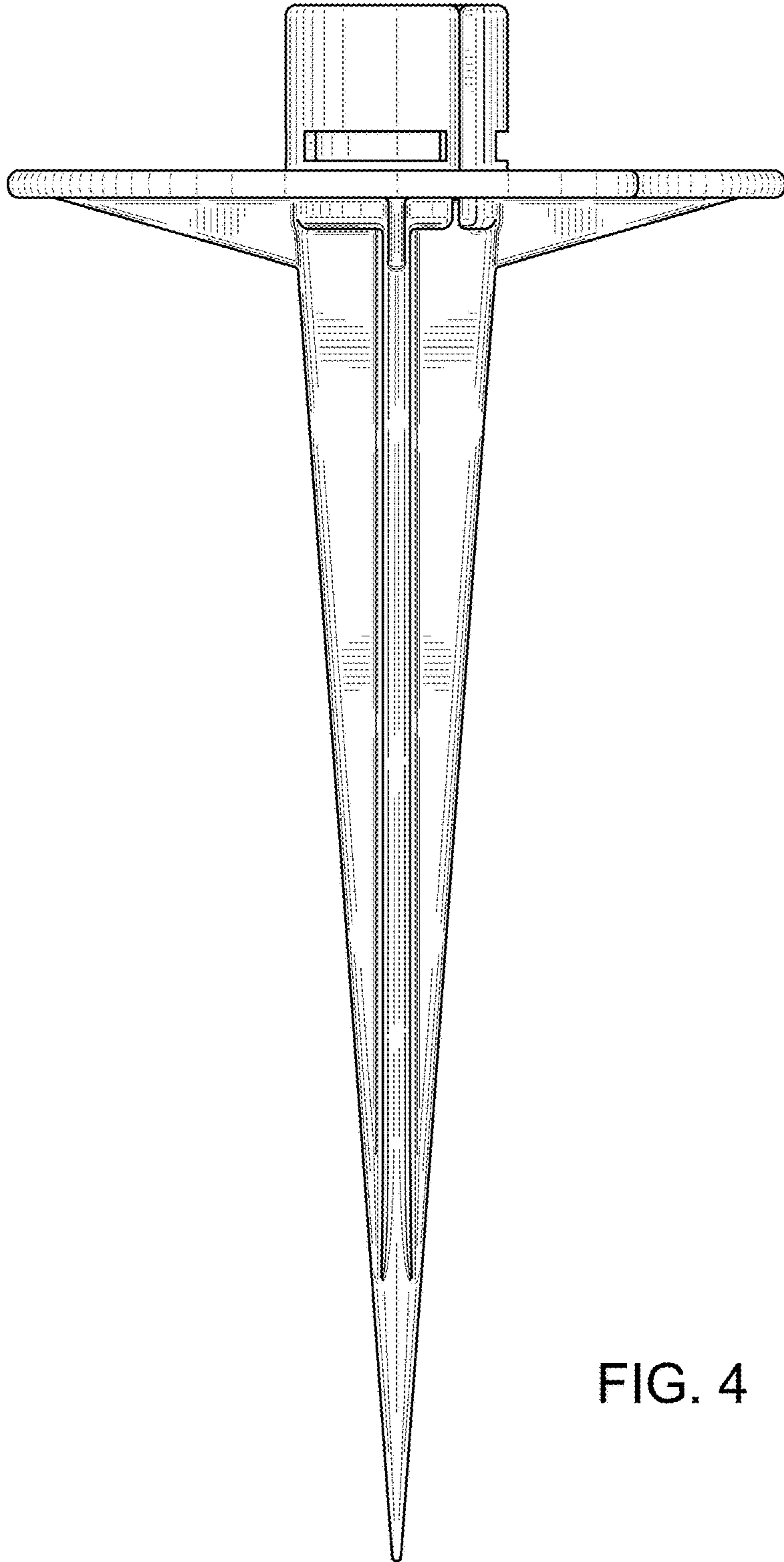


FIG. 4

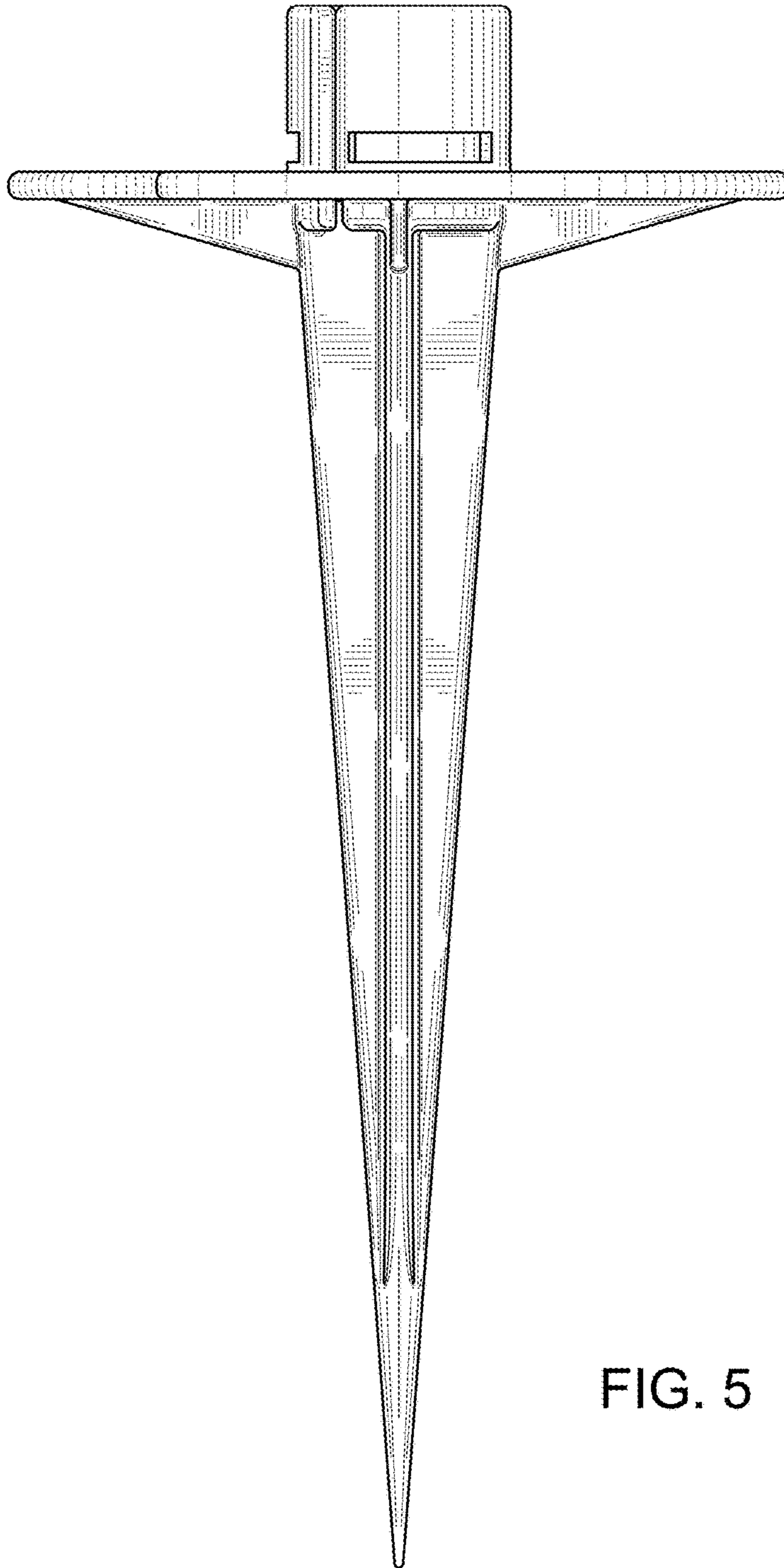


FIG. 5

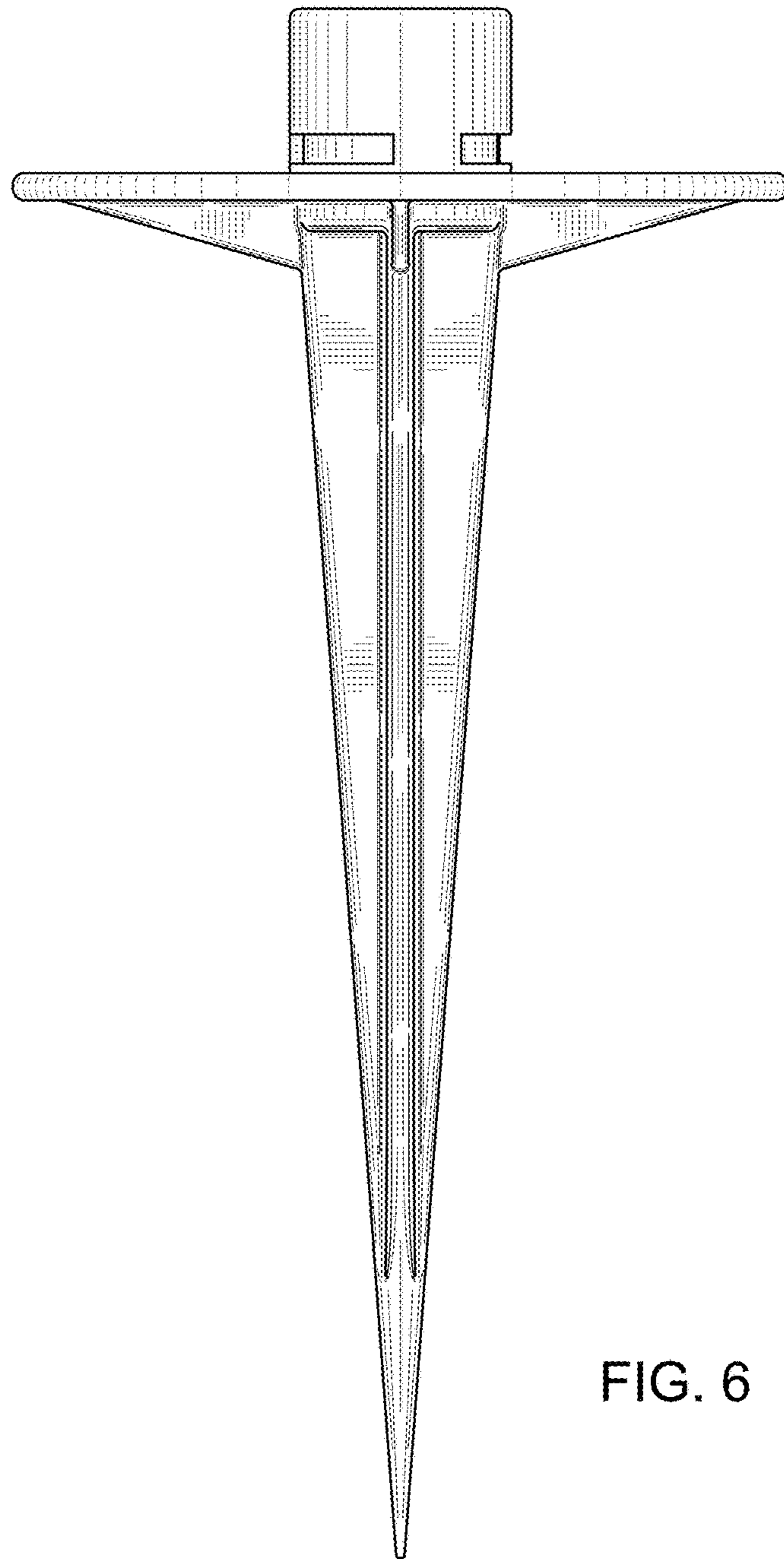


FIG. 6

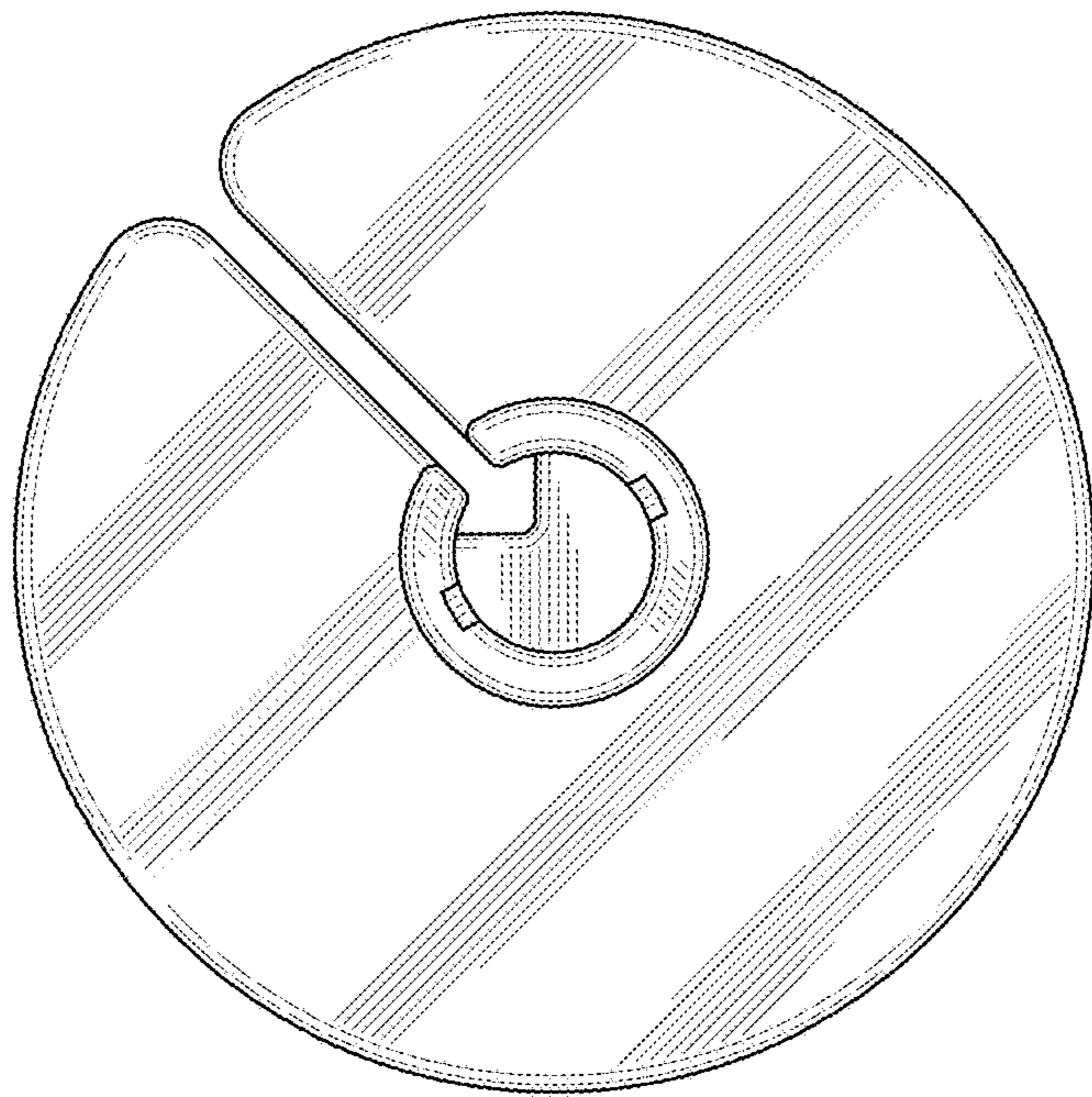


FIG. 7



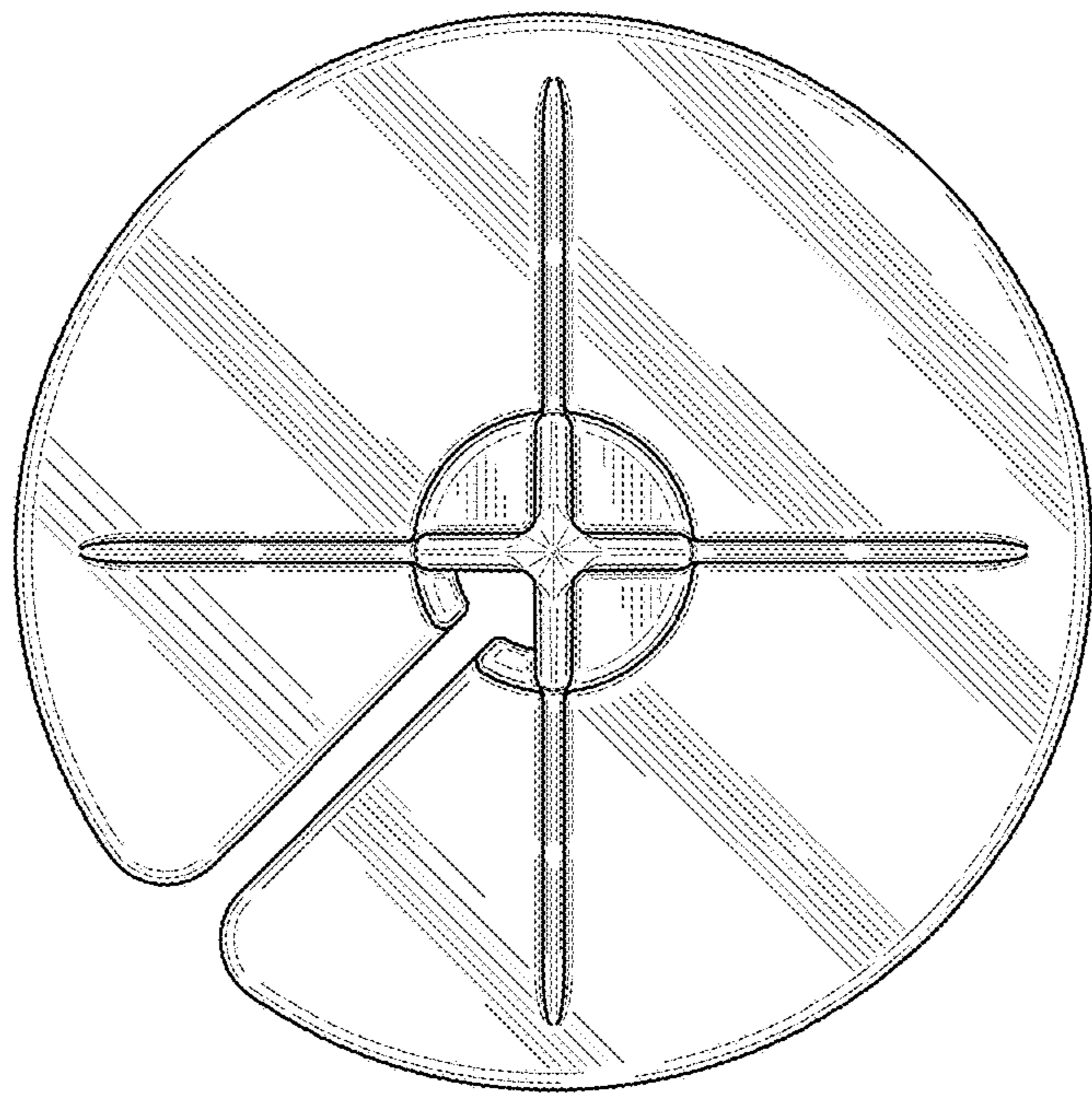


FIG. 8