



US00D834236S

(12) **United States Design Patent** (10) **Patent No.:** **US D834,236 S**
Amato et al. (45) **Date of Patent:** **** Nov. 20, 2018**

(54) **LIGHTING FIXTURE**

(71) Applicant: **The Urban Electric Company**, North Charleston, SC (US)

(72) Inventors: **Michael Amato**, Johns Island, SC (US); **David Dawson**, Charleston, SC (US); **Jonathan Charpia**, Summerville, SC (US); **Christopher Roof**, Charleston, SC (US); **Joeangel Casanova**, North Charleston, SC (US); **Courteney Salsbury**, Mount Pleasant, SC (US); **Brianna Magagnoli**, North Charleston, SC (US)

(73) Assignee: **The Urban Electric Company**, North Charleston, SC (US)

(**) Term: **15 Years**

(21) Appl. No.: **29/600,559**

(22) Filed: **Apr. 13, 2017**

(51) **LOC (11) Cl.** **26-05**

(52) **U.S. Cl.**
USPC **D26/89**

(58) **Field of Classification Search**
USPC D26/28, 35, 72, 74, 79-81, 83, 85, 86, D26/88, 89, 91, 118-122
CPC F21S 8/02; F21S 8/03; F21S 8/04; F21S 8/033; F21S 8/043; F21V 21/02
See application file for complete search history.

(56) **References Cited**

U.S. PATENT DOCUMENTS

| | | | | |
|--------------|---------|---------------|-------|--------|
| D282,972 S * | 3/1986 | Castor | | D26/59 |
| D532,142 S * | 11/2006 | Matsui | | D26/80 |
| D629,146 S * | 12/2010 | van den Akker | | D26/89 |
| D656,654 S * | 3/2012 | Wauters | | D26/89 |
| D669,624 S * | 10/2012 | Daniels | | D26/89 |

| | | | | |
|--------------|---------|----------|-------|-----------|
| D669,806 S * | 10/2012 | Stein | | D10/114.2 |
| D679,046 S * | 3/2013 | Hoshino | | D26/120 |
| D730,570 S * | 5/2015 | Chen | | D26/128 |
| D748,316 S * | 1/2016 | Sakurai | | D26/89 |
| D754,321 S * | 4/2016 | Park | | D23/385 |
| D759,287 S * | 6/2016 | Chen | | D26/128 |
| D785,848 S * | 5/2017 | Couture | | D26/89 |
| D808,565 S * | 1/2018 | Ambrozus | | D26/74 |

OTHER PUBLICATIONS

Feiss Mandie Flush Mount Ceiling Light (available online) Retrieved from the internet Sep. 20, 2018 from URL: https://www.ylighting.com/mandie-flush-mount-ceiling-light-by-feiss-FSSP153820.html#cgid=%0AYLLIG11%0A&sz=96&start=480&tileIndex=60.*

(Continued)

Primary Examiner — Kevin K Rudzinski
Assistant Examiner — Richard Kearney
(74) *Attorney, Agent, or Firm* — Jeffrey T. Stover;
Haynsworth Sinkler Boyd, P.A.

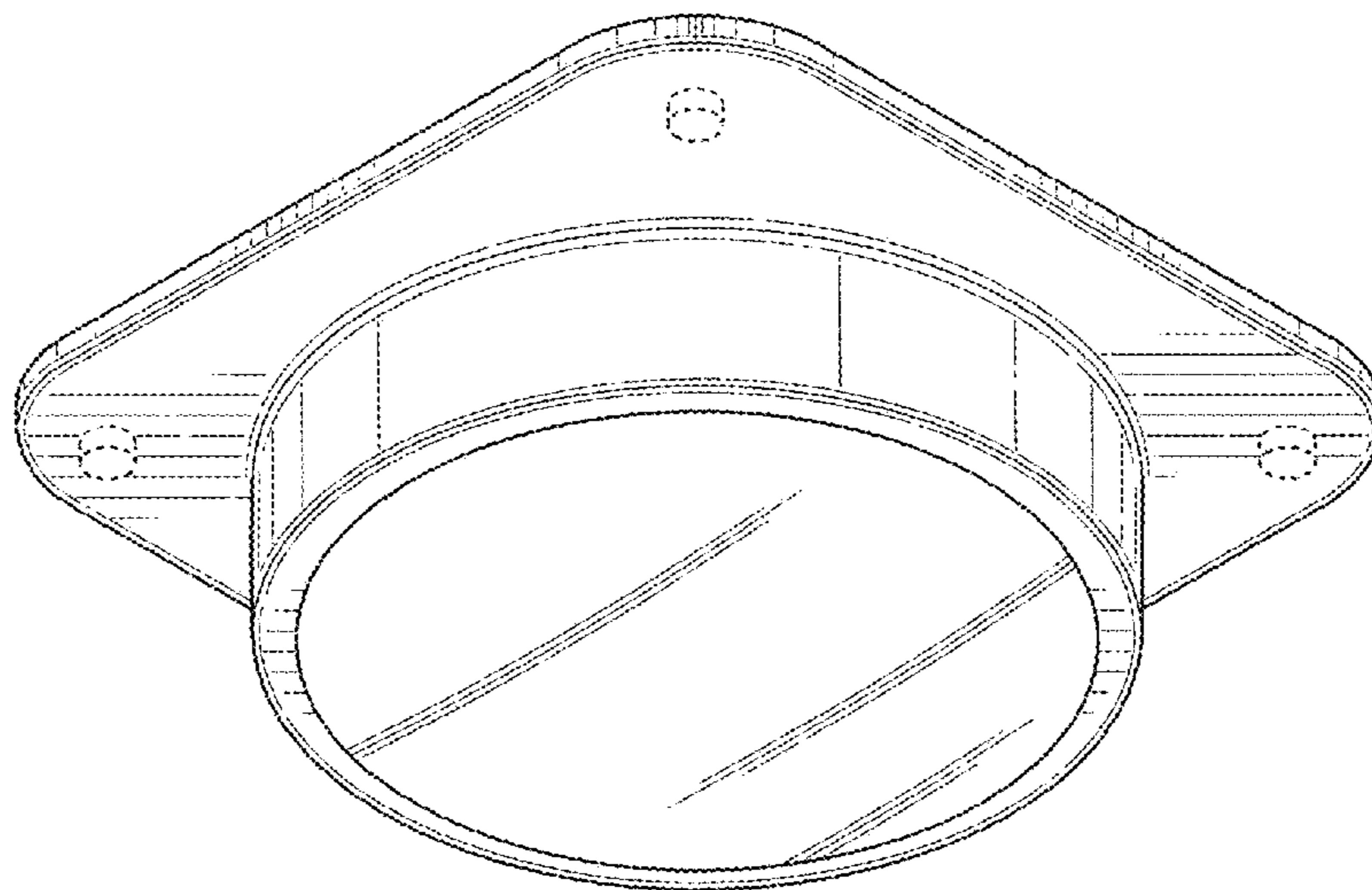
(57) **CLAIM**

The ornamental design for a lighting fixture, as shown and described.

DESCRIPTION

FIG. 1 is a front elevational view of a new lighting fixture; FIG. 2 is a back elevational view thereof; FIG. 3 is a left elevational view thereof; FIG. 4 is a right elevational view thereof; FIG. 5 is a bottom plan view thereof; FIG. 6 is a top perspective view thereof; and, FIG. 7 is a bottom perspective view thereof. The broken lines shown in FIG. 6 illustrate portions of the lighting fixture that forms no part of the claimed design. The broken lines shown in FIGS. 1-5 and 7 illustrate environmental structure that forms no part of the claimed design.

1 Claim, 7 Drawing Sheets



(56)

References Cited

OTHER PUBLICATIONS

LBL Lighting Vessa Flush Mount Ceiling Light (available online)
Retrieved from the internet Sep. 20, 2018 from URL: <https://www.ylighting.com/vessa-flush-mount-ceiling-light-by-lbl-lighting-LBLP90554.html#cgid=%0AYLLIG11%0A&sz=96&start=96&tileIndex=90>.*

Visual Comfort Dot Caged Flush Mount Ceiling Light (available online)
Retrieved from the internet Sep. 20, 2018 from URL: <https://www.ylighting.com/dot-caged-flush-mount-ceiling-light-by-visual-comfort-VISP203408.html#cgid=%0AYLLIG11%0A&sz=96&start=480&tileIndex=21>.*

* cited by examiner

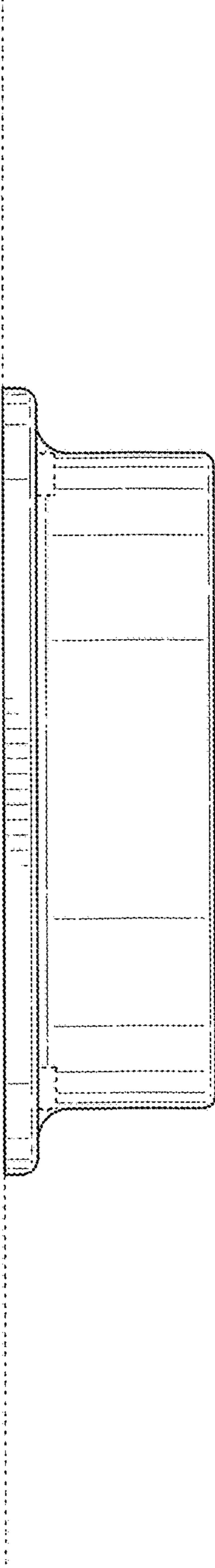


FIG. 1

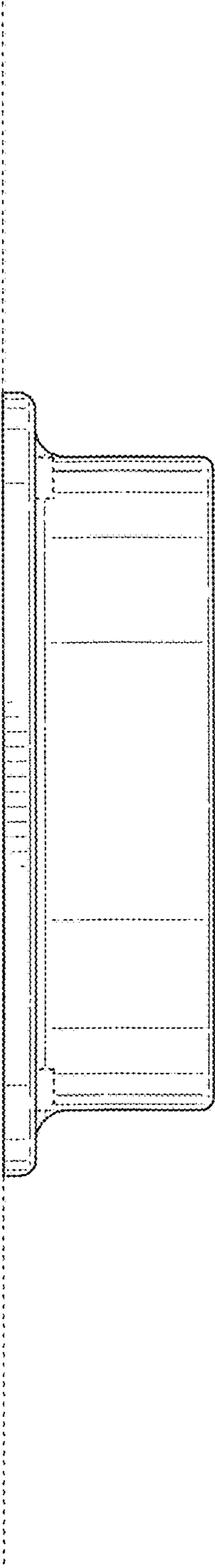


FIG. 2

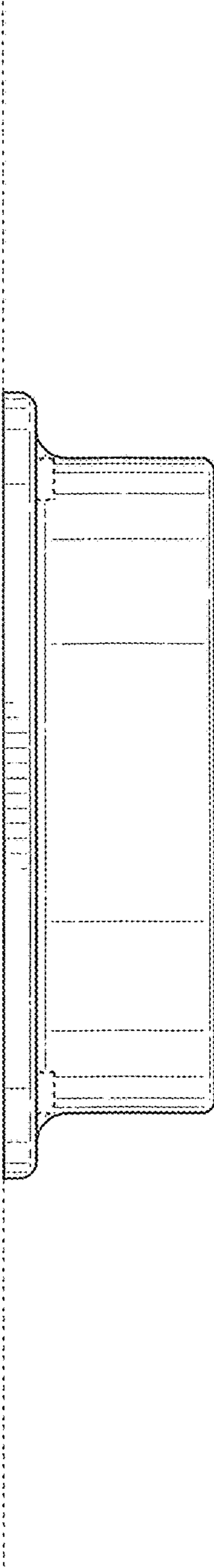


FIG. 3

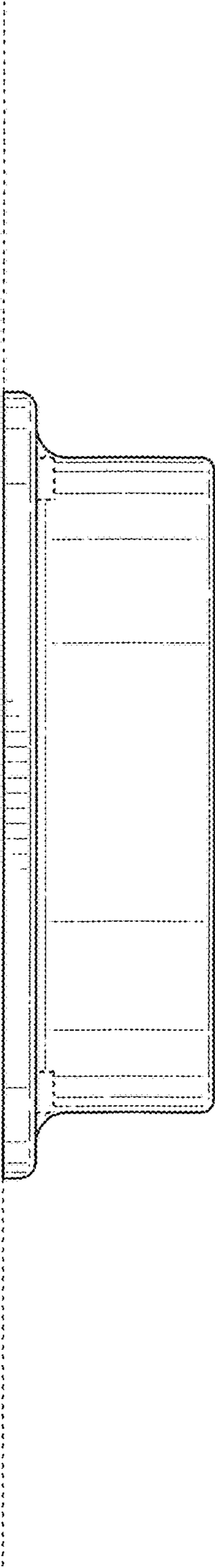


FIG. 4

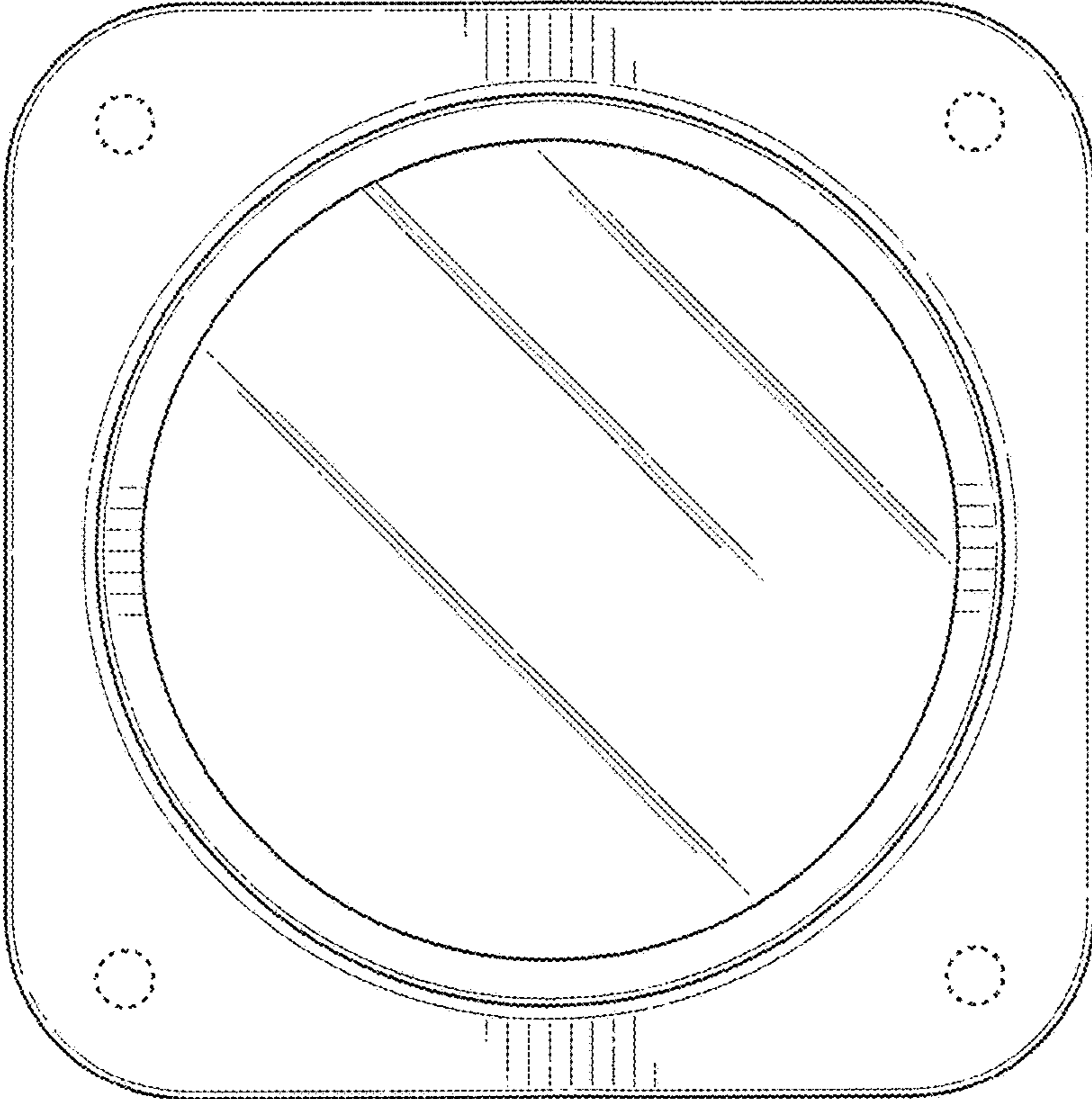


FIG. 5

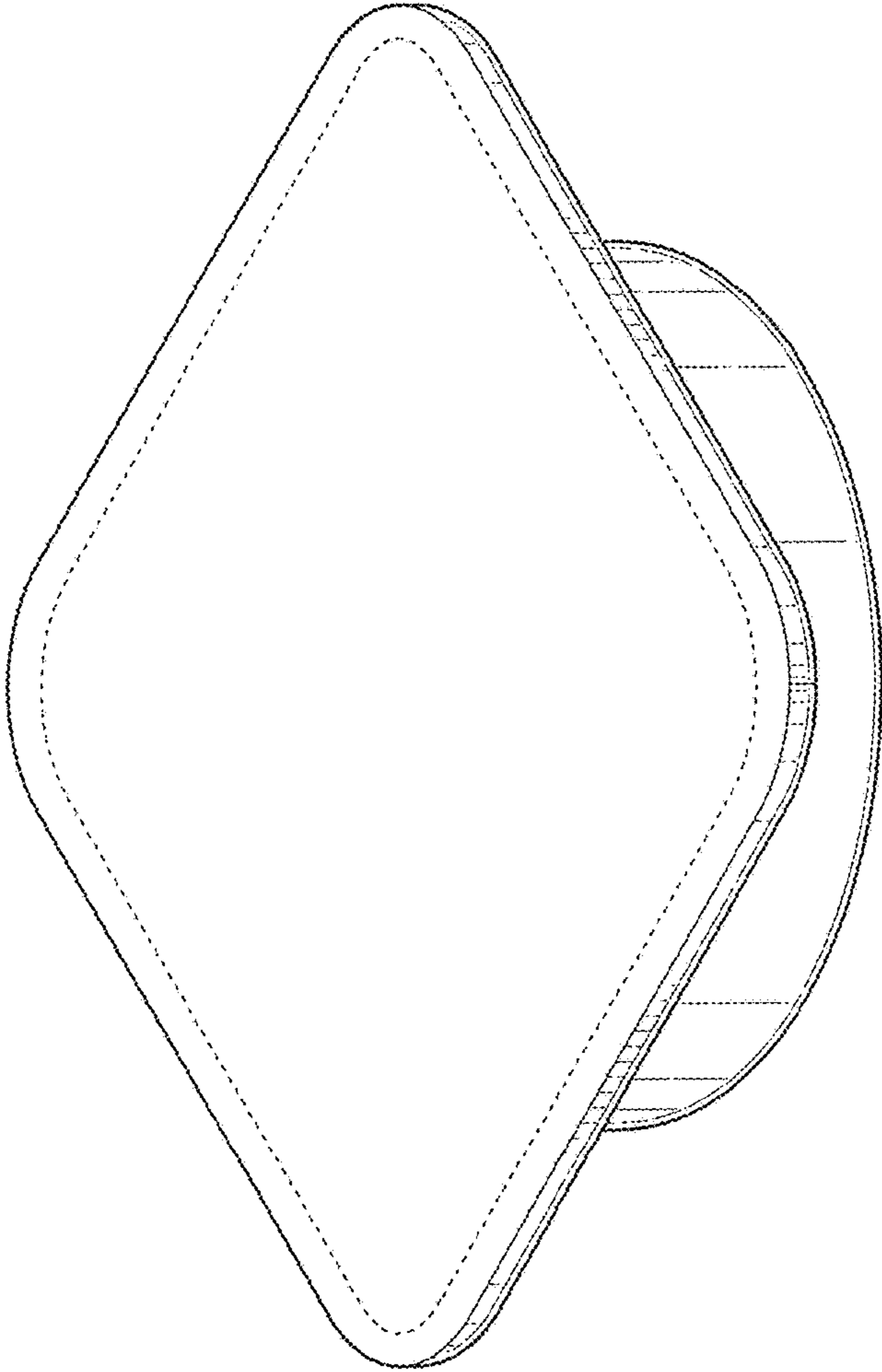


FIG. 6

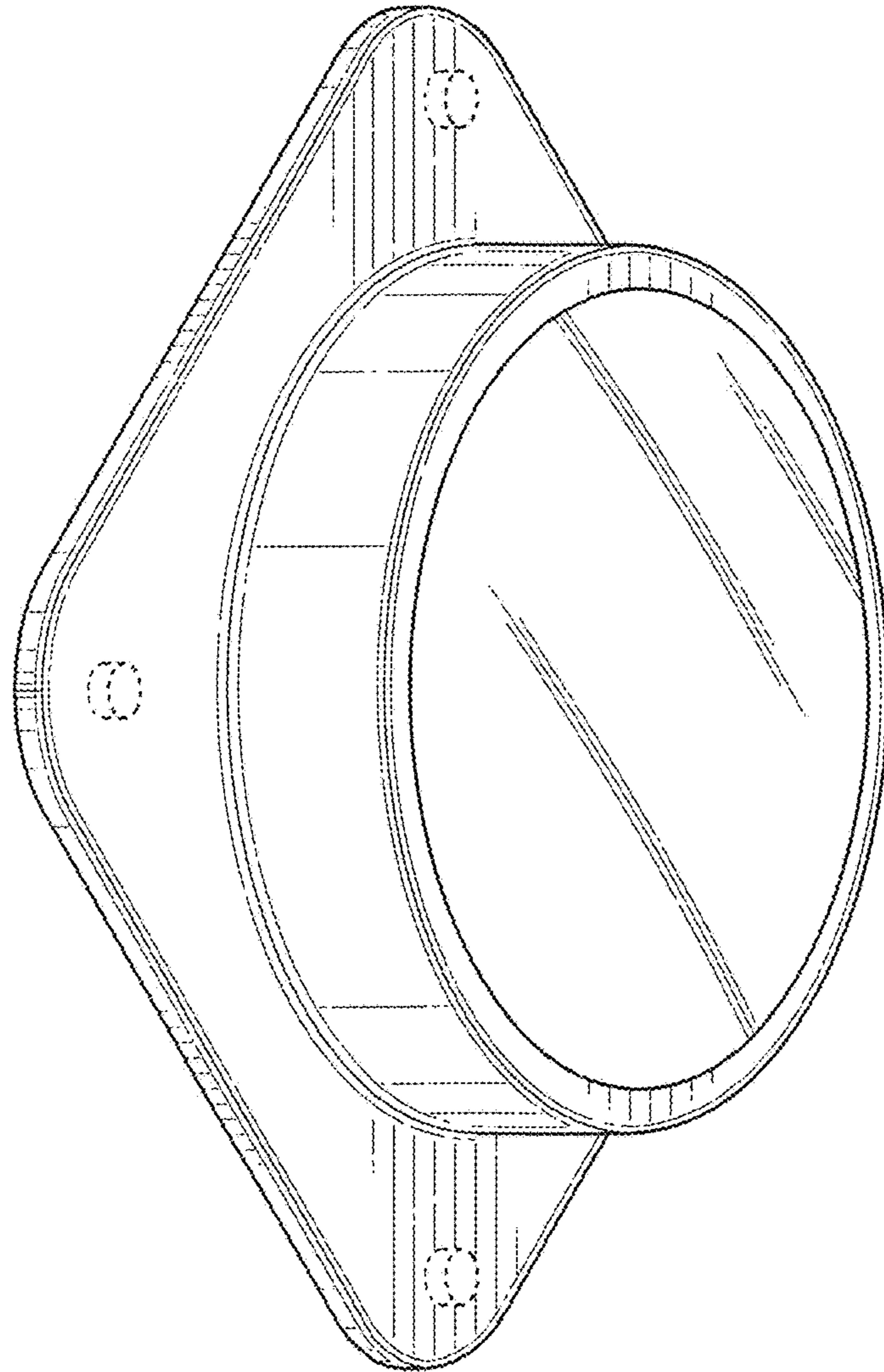


FIG. 7