



US00D834234S

(12) **United States Design Patent** (10) **Patent No.:** **US D834,234 S**
Sayers et al. (45) **Date of Patent:** **** Nov. 20, 2018**

- (54) **LUMINAIRE WITH LOUVERED WALL WASH APPARATUS** D473,966 S * 4/2003 Lecluze D26/74
6,588,922 B1 * 7/2003 DeCicco F21V 21/04
362/148
- (71) Applicants: **Wilston Nigel Christopher Sayers,** D488,251 S * 4/2004 Benghozi D26/118
Atlanta, GA (US); **Kevin Roy** D595,452 S * 6/2009 Khang F21S 8/026
Harpenau, Atlanta, GA (US) D26/138
- (72) Inventors: **Wilston Nigel Christopher Sayers,** D615,239 S * 5/2010 Rashidi D26/118
Atlanta, GA (US); **Kevin Roy** D636,925 S * 4/2011 Kawagoe D26/120
Harpenau, Atlanta, GA (US) D644,781 S * 9/2011 Kawagoe D26/120
D670,855 S * 11/2012 Turner D26/123
D671,668 S * 11/2012 Rowlette, Jr. D26/74
- (73) Assignee: **Cooper Technologies Company,** 2004/0240211 A1 * 12/2004 Rodgers F21S 8/06
Houston, TX (US) 362/344
2009/0135608 A1 * 5/2009 Sell F21S 8/026
362/365

(**) Term: **15 Years**

* cited by examiner

(21) Appl. No.: **29/575,255**

Primary Examiner — Angela J Lee

(22) Filed: **Aug. 23, 2016**

(74) *Attorney, Agent, or Firm* — King & Spalding LLP

(51) **LOC (11) Cl.** **26-05**

(57) **CLAIM**

(52) **U.S. Cl.**
USPC **D26/74**

The ornamental design for a luminaire with louvered wall wash apparatus, as shown and described.

(58) **Field of Classification Search**
USPC D26/74, 72, 75, 76, 77, 78, 85, 88, 89,
D26/118, 138, 141; 362/364, 365, 373,
362/145, 146, 147, 148, 150, 153, 153.1,
362/294, 296.01, 296.07, 296.08
CPC F21V 29/2262; F21V 7/06; F21V 21/044;
F21V 21/047; F21V 29/2212; F21V
29/2256; F21V 29/225; F21V 29/2268;
F21Y 2111/002; F21S 8/02; F21S 8/026
See application file for complete search history.

DESCRIPTION

FIG. 1 is a bottom perspective view of a luminaire with louvered wall wash apparatus, showing our new design; FIG. 2 is a top perspective view thereof; FIG. 3 is a top plan view thereof; FIG. 4 is a bottom plan view thereof; FIG. 5 is a left side view thereof; FIG. 6 is a right side view thereof; FIG. 7 is a front view thereof; and, FIG. 8 is a rear view thereof.

The broken lines shown in the figures illustrate portions of the luminaire with louvered wall wash apparatus that form no part of the claimed design.

(56) **References Cited**

U.S. PATENT DOCUMENTS

- 5,483,428 A * 1/1996 Poppenheimer F21V 31/00
362/101
- D383,564 S * 9/1997 Lecluze D26/118

1 Claim, 5 Drawing Sheets

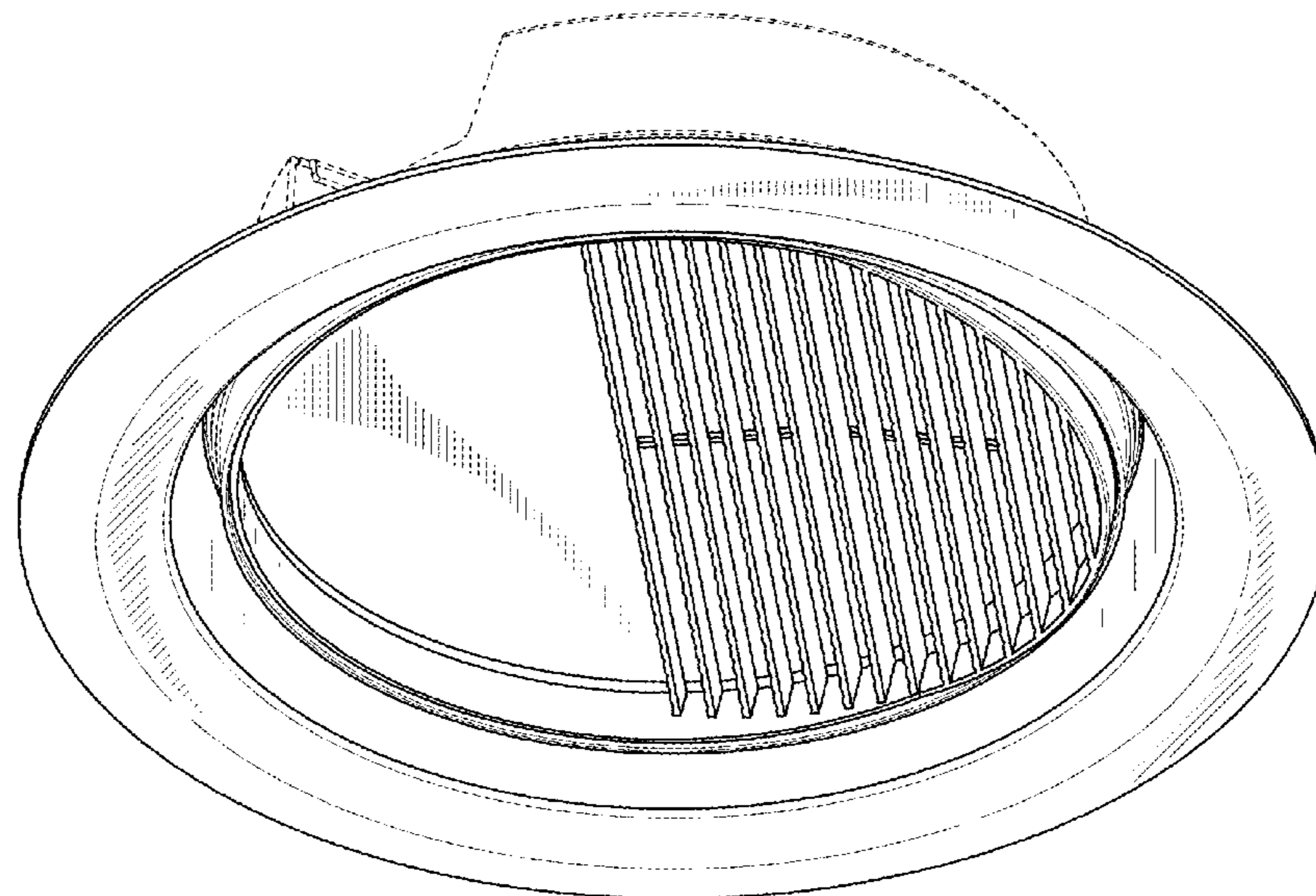


FIG. 1

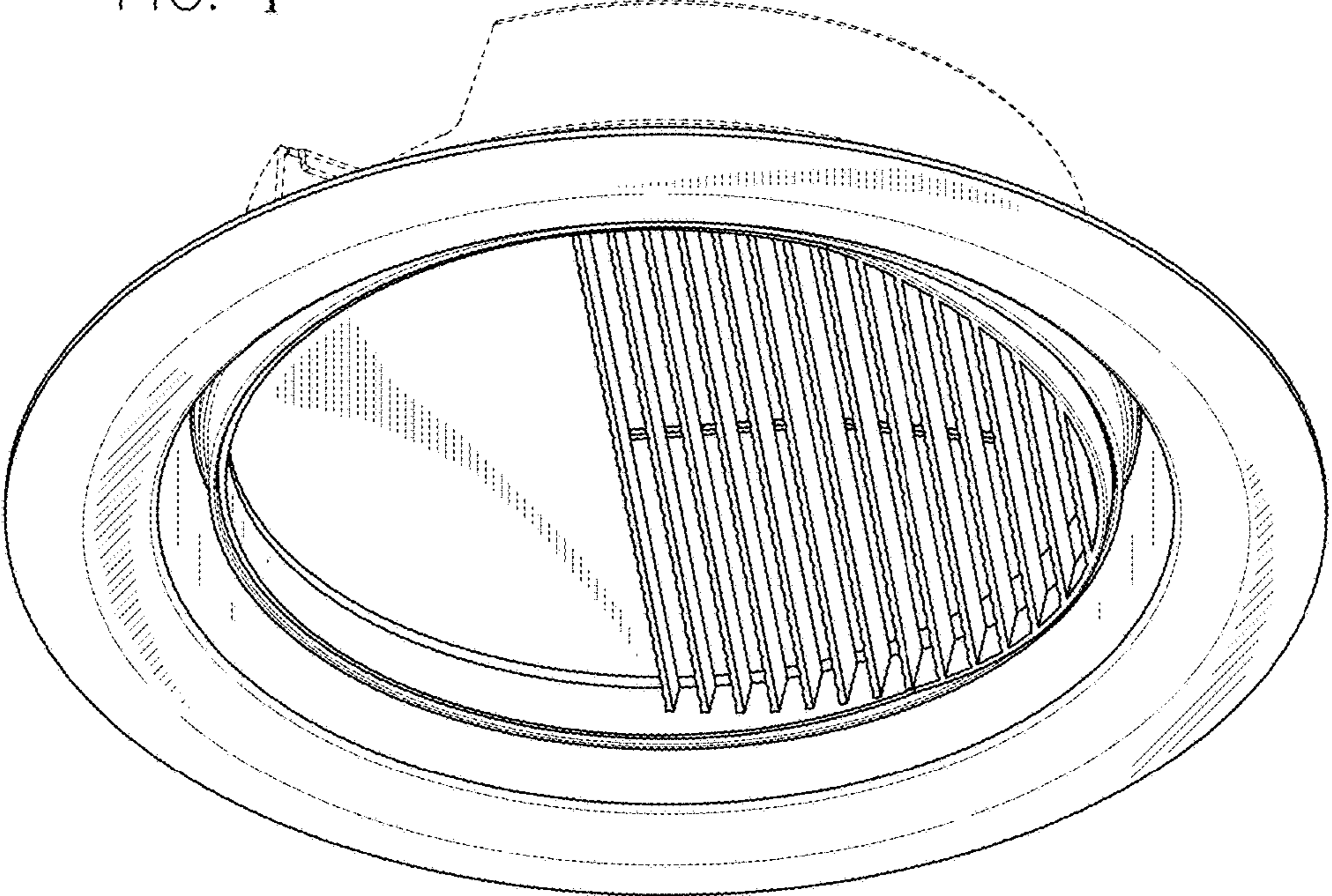


FIG. 2

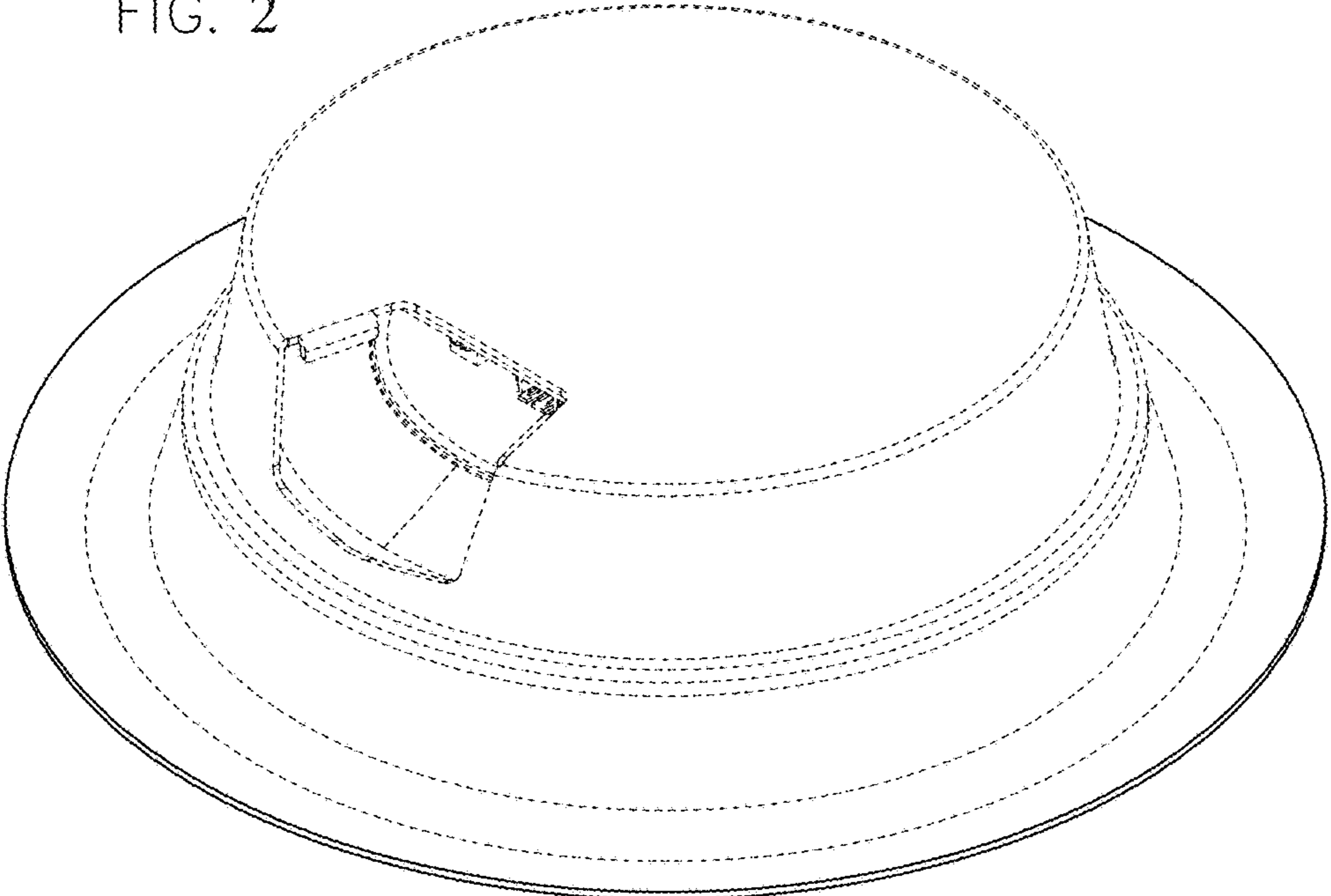


FIG. 3

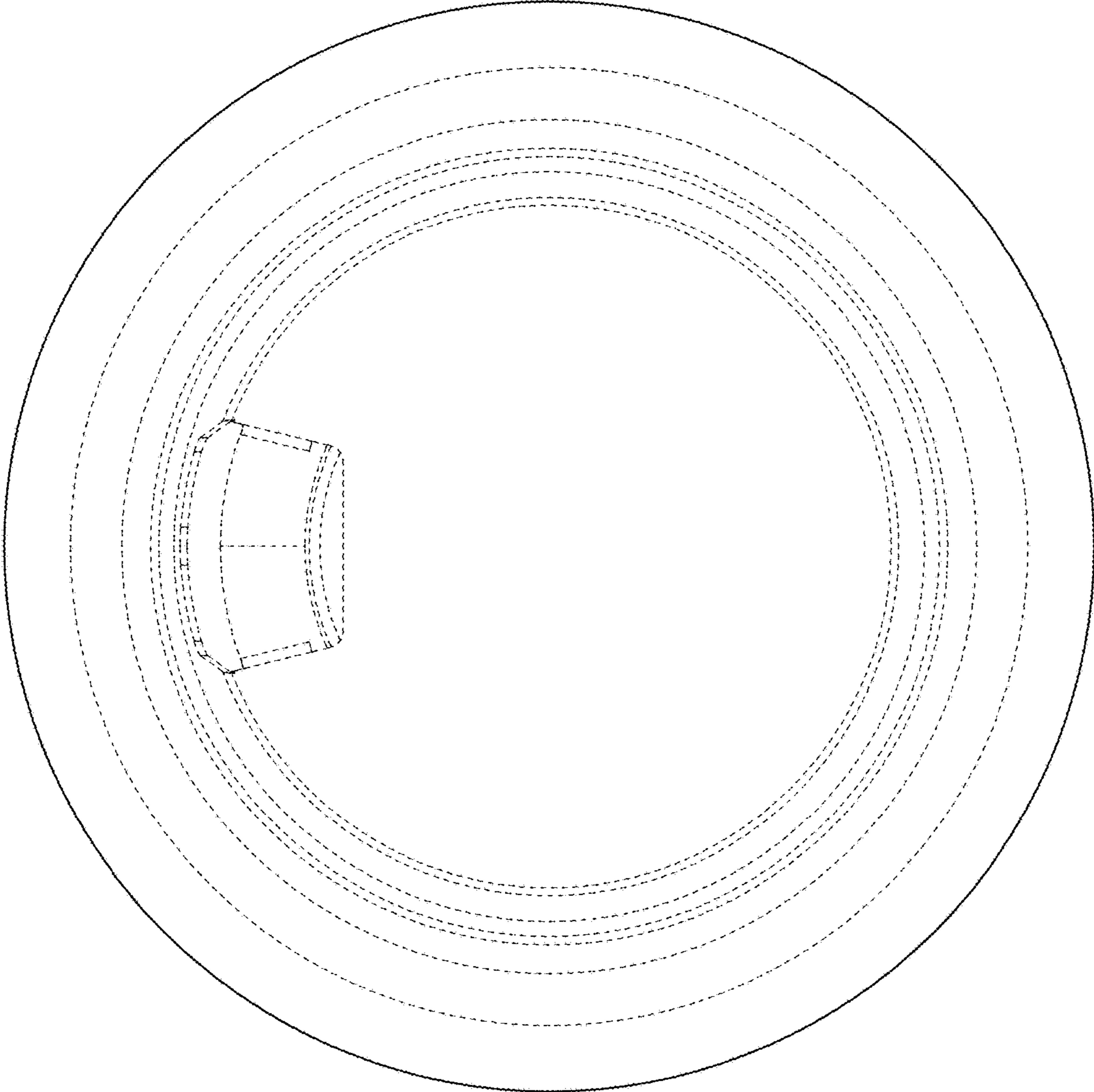


FIG. 4

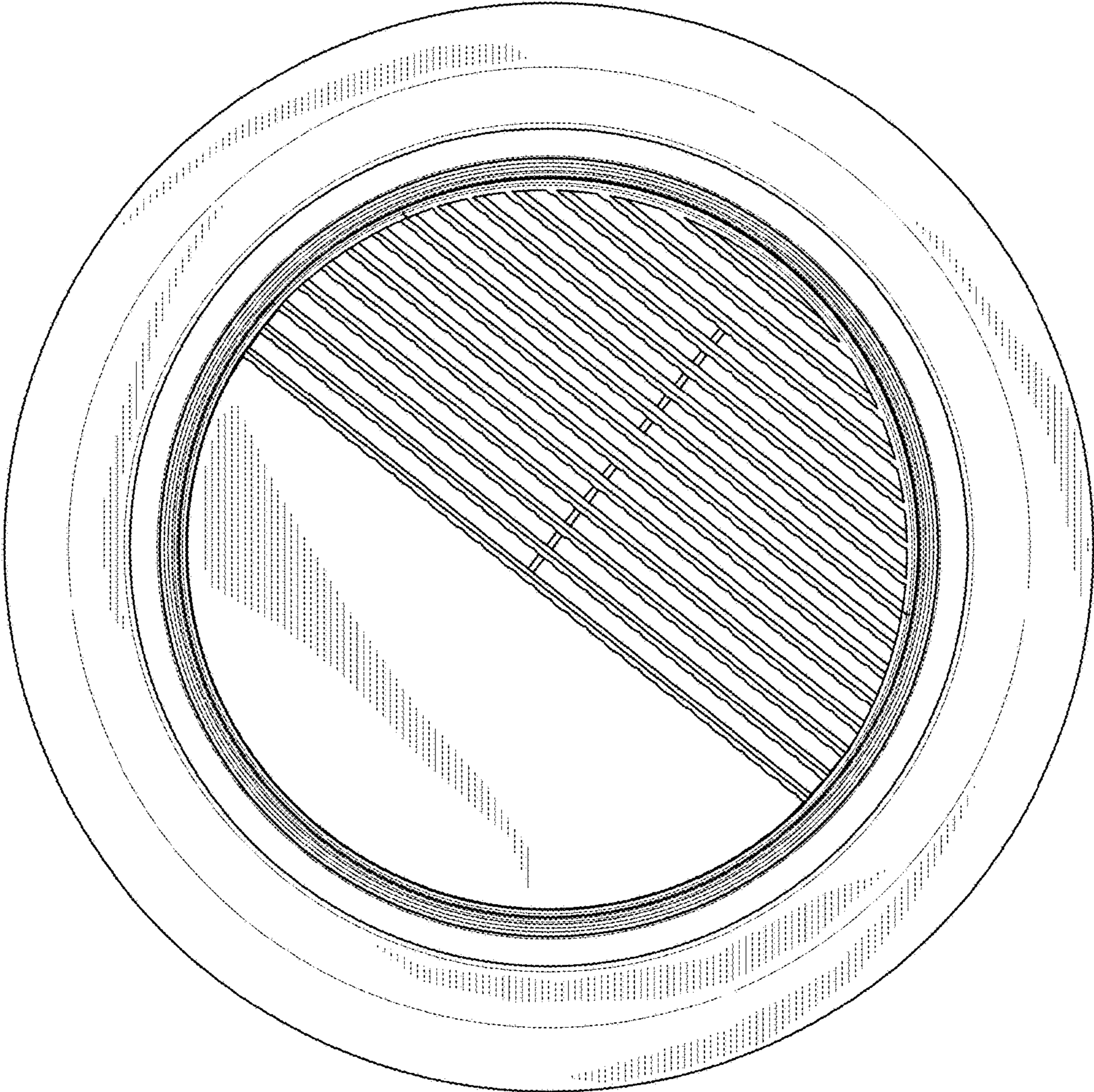


FIG. 5

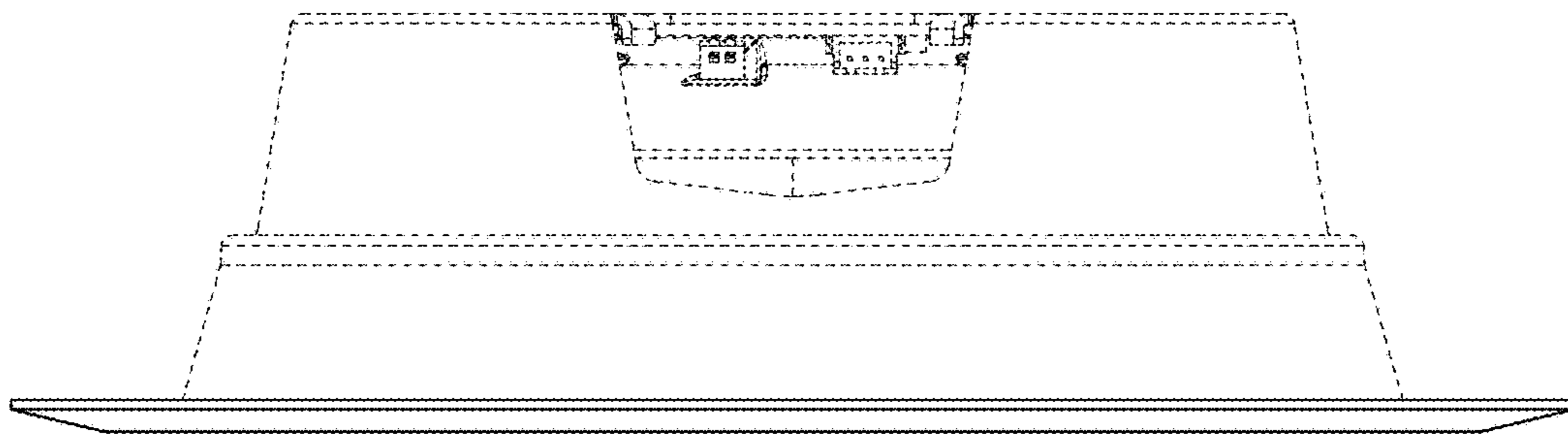


FIG. 6

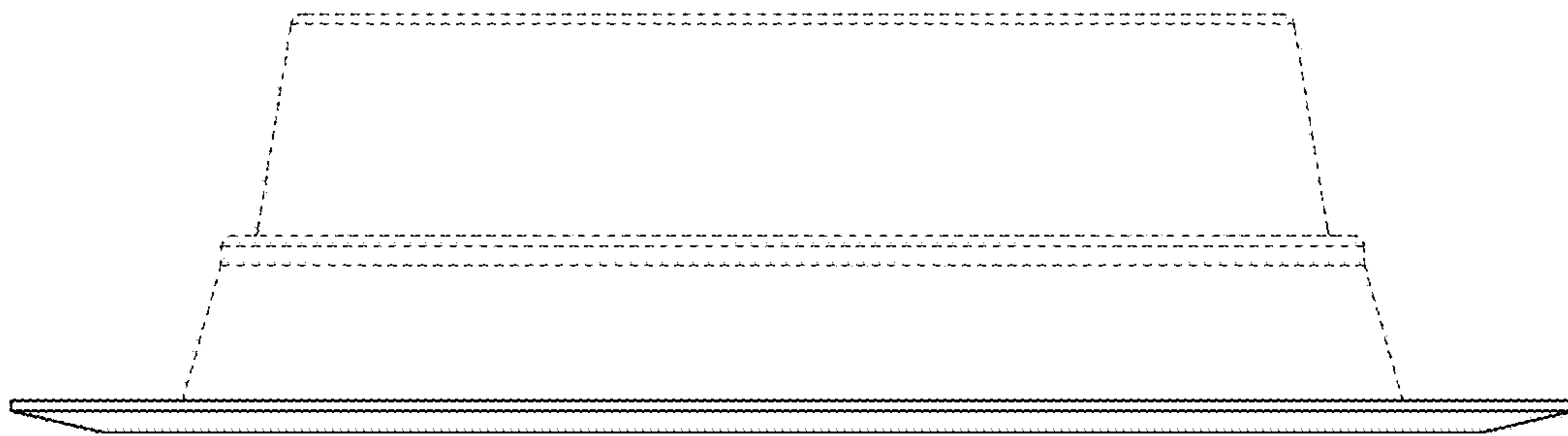


FIG. 7

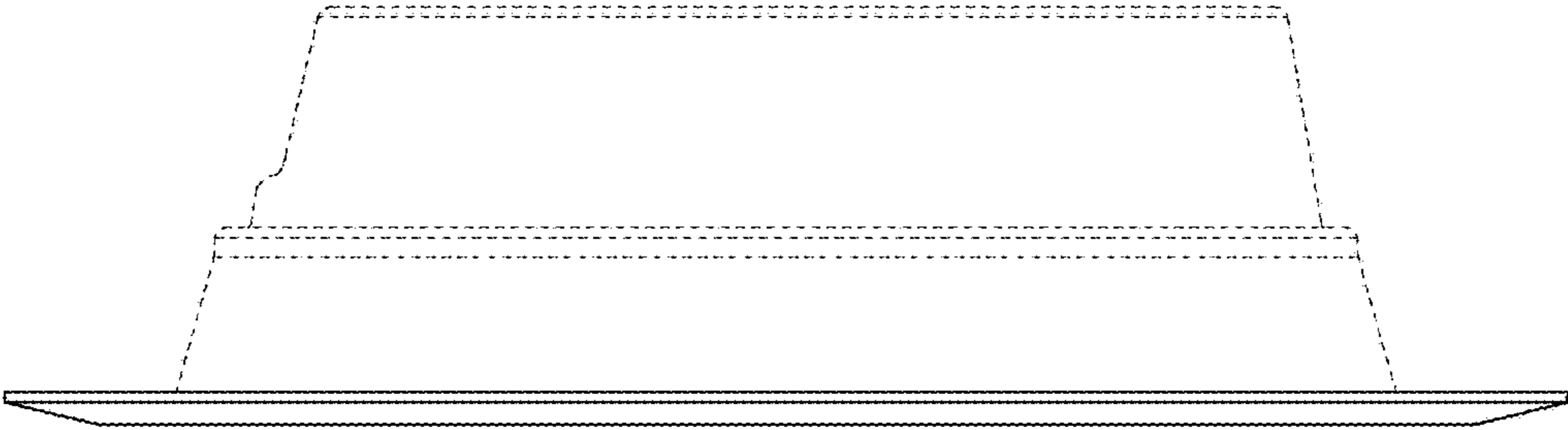


FIG. 8

