



US00D834232S

(12) **United States Design Patent**
Green et al.

(10) **Patent No.:** **US D834,232 S**

(45) **Date of Patent:** **** Nov. 20, 2018**

(54) **WORK LIGHT**

(71) Applicant: **Home Depot Product Authority, LLC**,
Atlanta, GA (US)

(72) Inventors: **Adam Green**, Marietta, GA (US);
Bernard Scott, Lawrenceville, GA (US)

(73) Assignee: **Home Depot Product Authority, LLC**,
Atlanta, GA (US)

(**) Term: **15 Years**

(21) Appl. No.: **29/625,296**

(22) Filed: **Nov. 8, 2017**

Related U.S. Application Data

(63) Continuation of application No. 29/168,679, filed on
Sep. 22, 2017.

(51) **LOC (11) Cl.** **26-03**

(52) **U.S. Cl.**
USPC **D26/65**

(58) **Field of Classification Search**
USPC D26/1, 24, 61, 63, 65, 85, 92
CPC F21V 21/14; F21V 15/01; F21V 14/02;
F21V 21/30; F21V 21/00; F21V 14/00;
F21S 8/00; F21S 8/003; F21S 8/043;
F21Y 2105/001

See application file for complete search history.

(56) **References Cited**

U.S. PATENT DOCUMENTS

D436,442 S * 1/2001 Mogil D3/283
D593,236 S * 5/2009 Ng D26/37
D679,845 S * 4/2013 Huang D26/37
D710,528 S 8/2014 Wardenburg

(Continued)

Primary Examiner — Brian N. Vinson

(74) *Attorney, Agent, or Firm* — Greenberg Traurig, LLP

(57) **CLAIM**

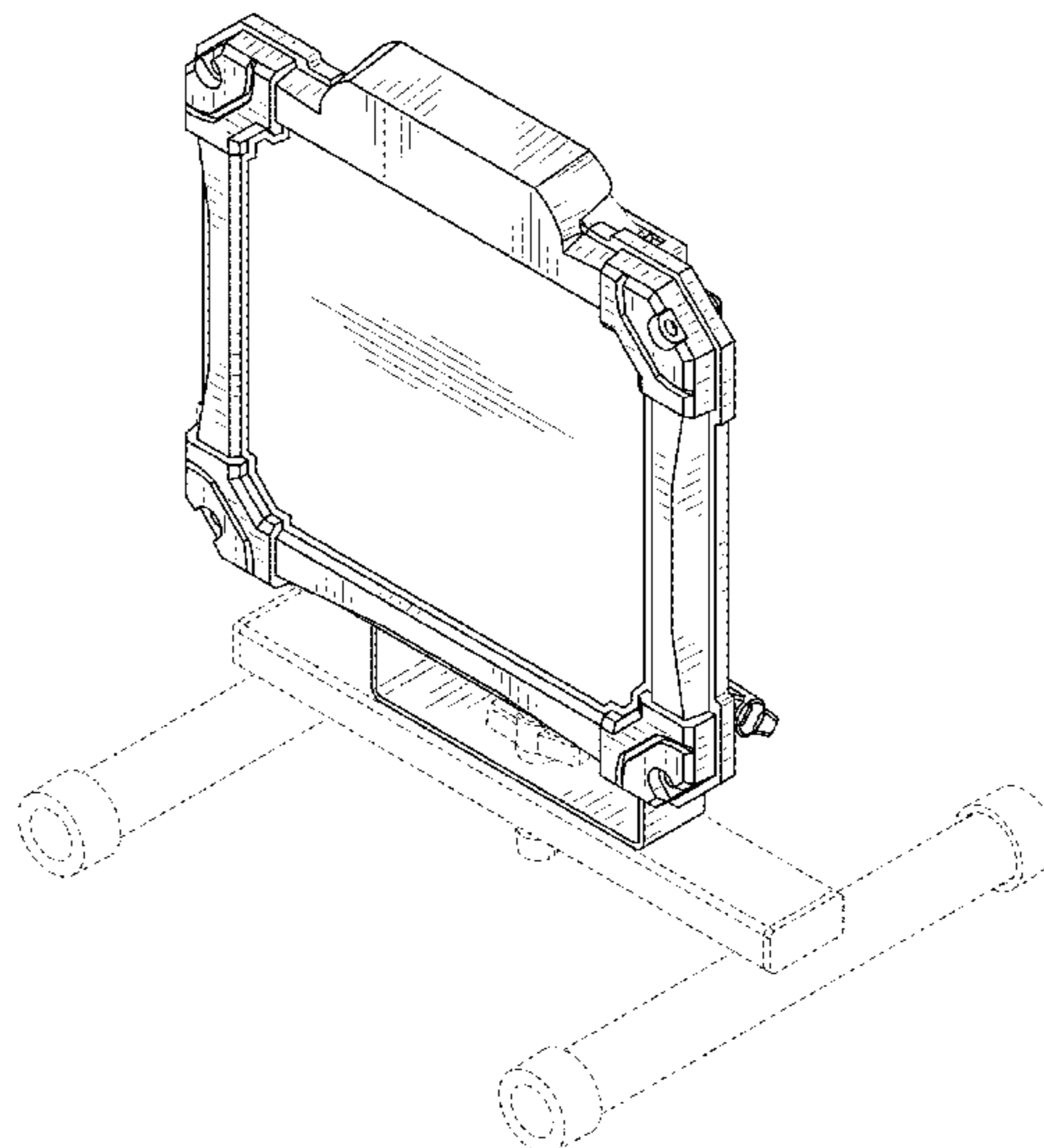
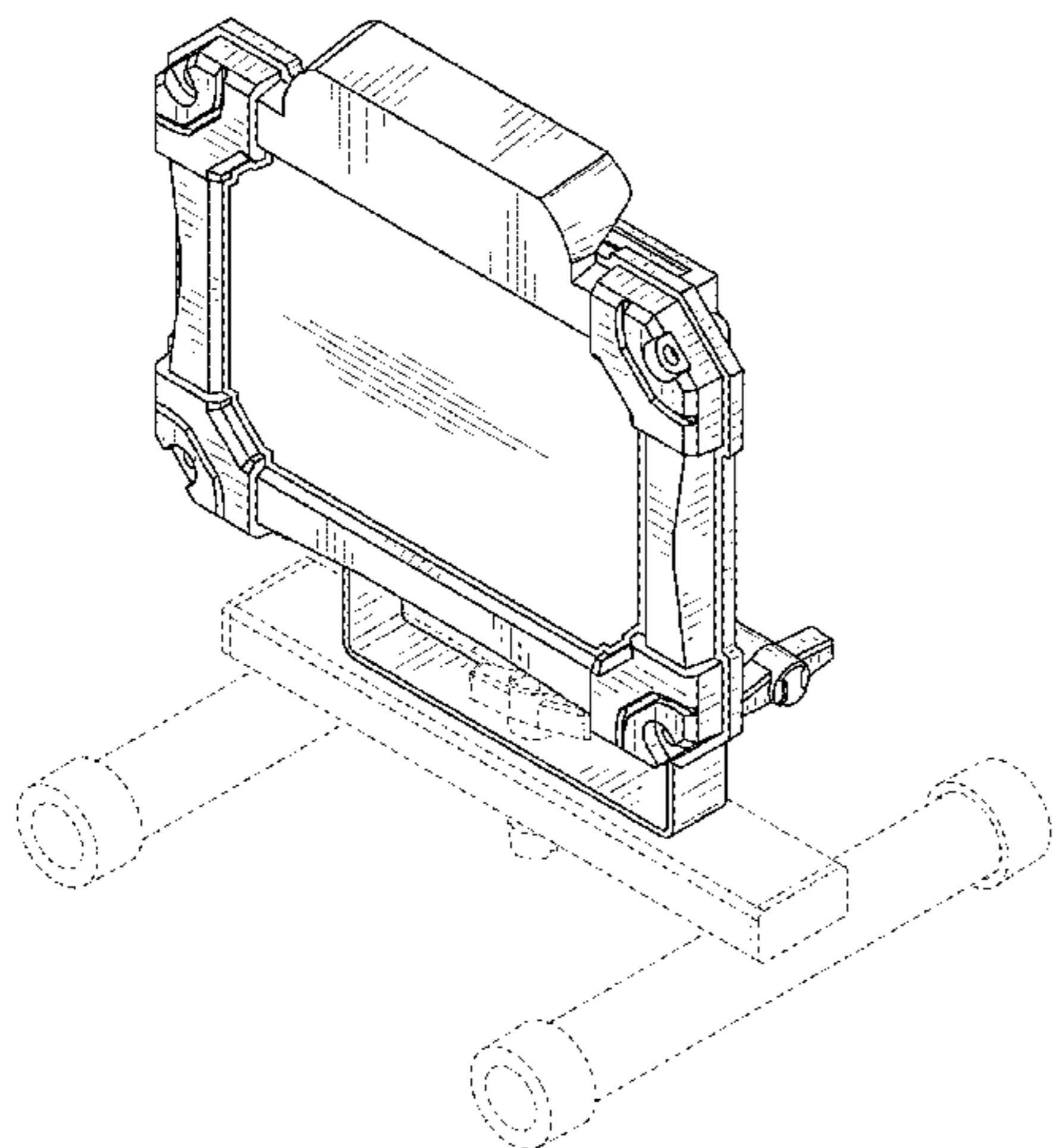
We claim the ornamental design for a work light, as shown
and described.

DESCRIPTION

FIG. 1 is a front perspective view of a first embodiment of
our work light;
FIG. 2 is a front view thereof;
FIG. 3 is a back view thereof;
FIG. 4 is a left side view thereof;
FIG. 5 is a right side view thereof;
FIG. 6 is a top view thereof;
FIG. 7 is a bottom view thereof;
FIG. 8 is a rear perspective view thereof;
FIG. 9 is a front perspective view of a second embodiment
of our work light;
FIG. 10 is a front view thereof;
FIG. 11 is a back view thereof;
FIG. 12 is a left side view thereof;
FIG. 13 is a right side view thereof;
FIG. 14 is a top view thereof;
FIG. 15 is a bottom view thereof;
FIG. 16 is a rear perspective view thereof;
FIG. 17 is a front perspective view of a third embodiment of
our work light;
FIG. 18 is a front view thereof;
FIG. 19 is a back view thereof;
FIG. 20 is a left side view thereof;
FIG. 21 is a right side view thereof;
FIG. 22 is a top view thereof;
FIG. 23 is a bottom view thereof; and,
FIG. 24 is a rear perspective view thereof.

The broken line disclosure in the views represents portions
of the work light which form no part of the claimed design.
Where a broken line abuts a claimed surface, the broken line
is understood to represent an unclaimed boundary between
claimed and unclaimed surfaces.

1 Claim, 24 Drawing Sheets



(56)

References Cited

U.S. PATENT DOCUMENTS

9,097,405 B2	8/2015	Saderej	
D747,541 S	1/2016	Dietel	
D770,675 S	11/2016	Dietel	
D796,718 S *	9/2017	Zhou	D26/63
D802,829 S	11/2017	Reynolds	
D804,710 S	12/2017	Stanley	

* cited by examiner

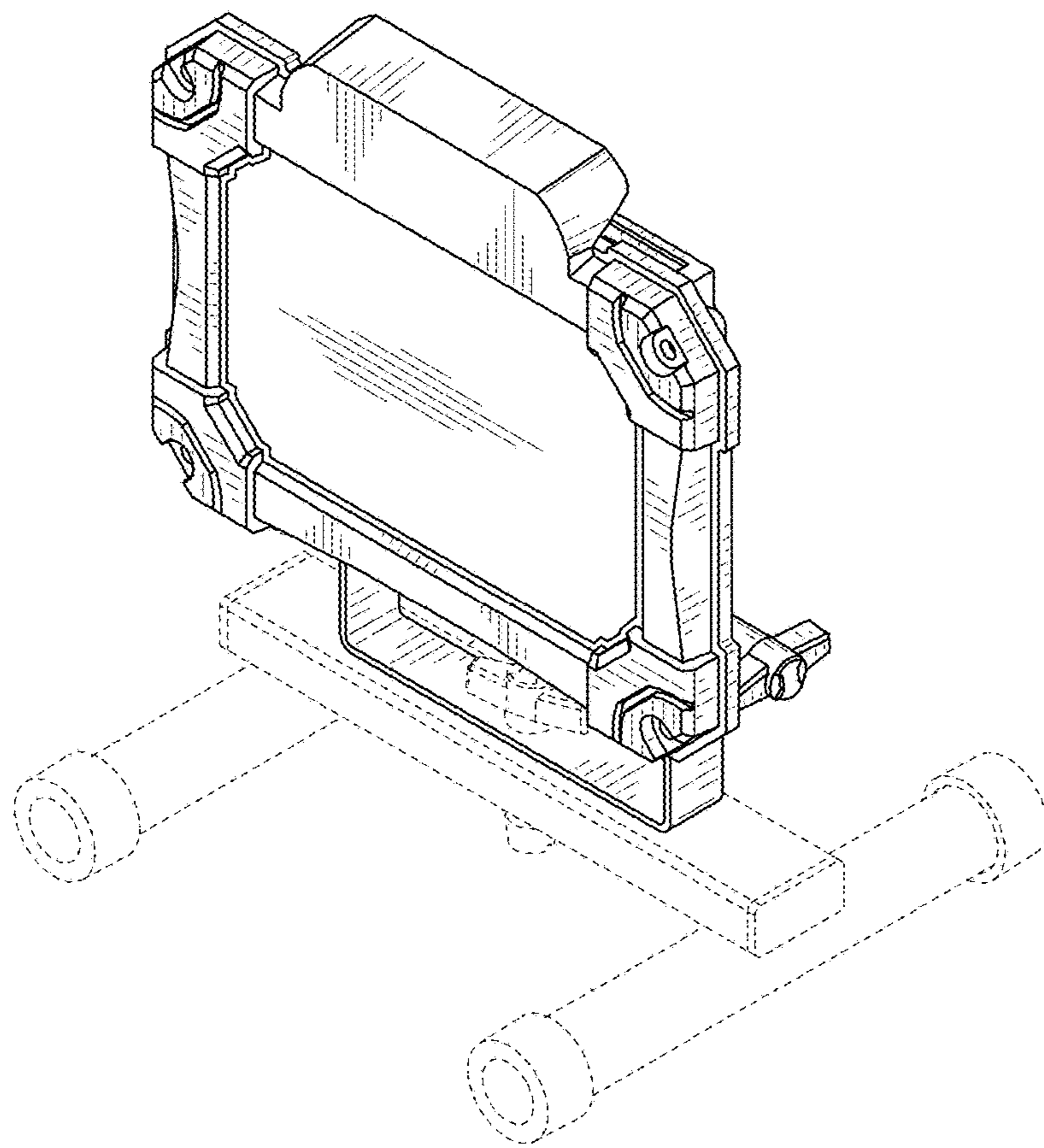


FIG. 1

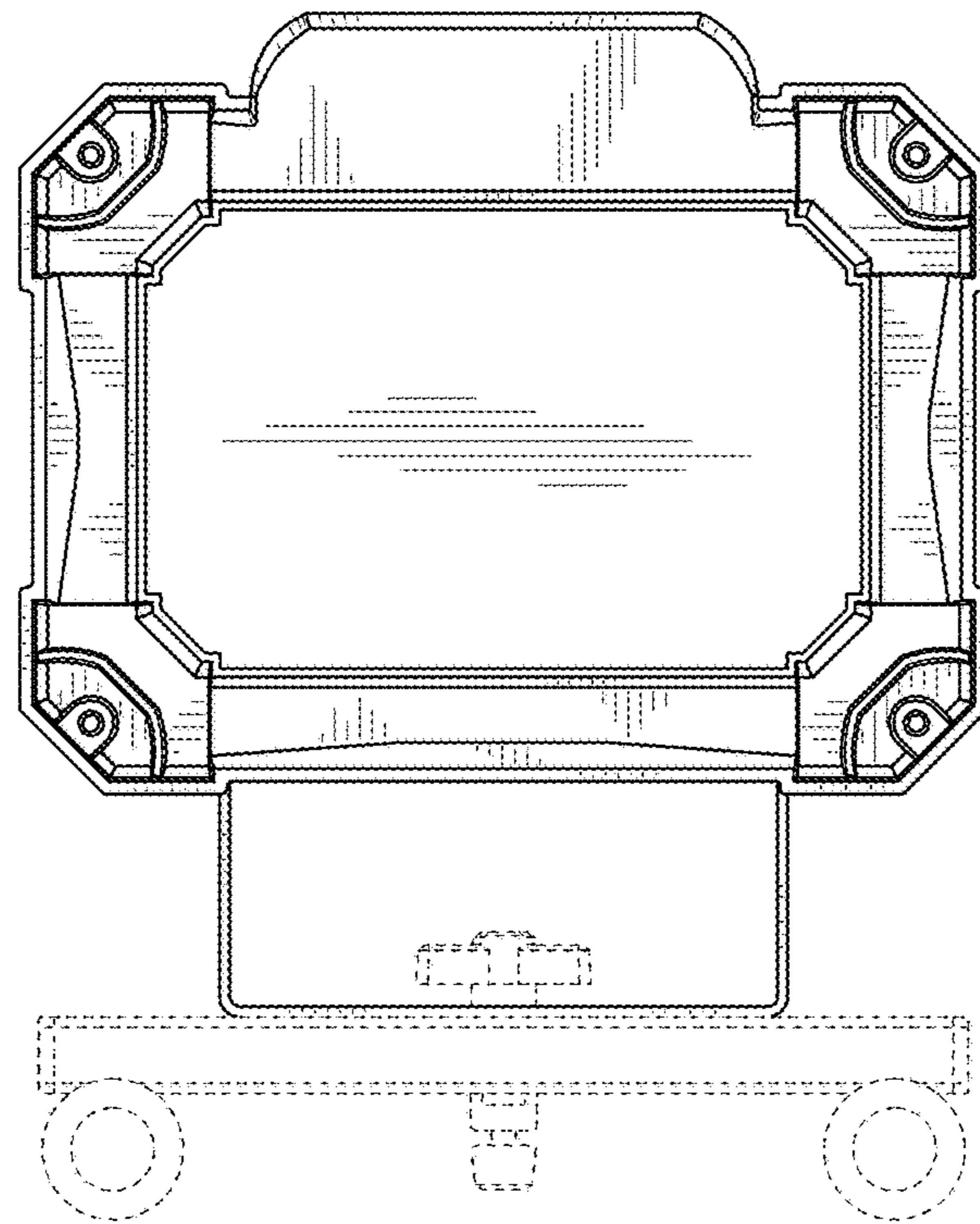


FIG. 2

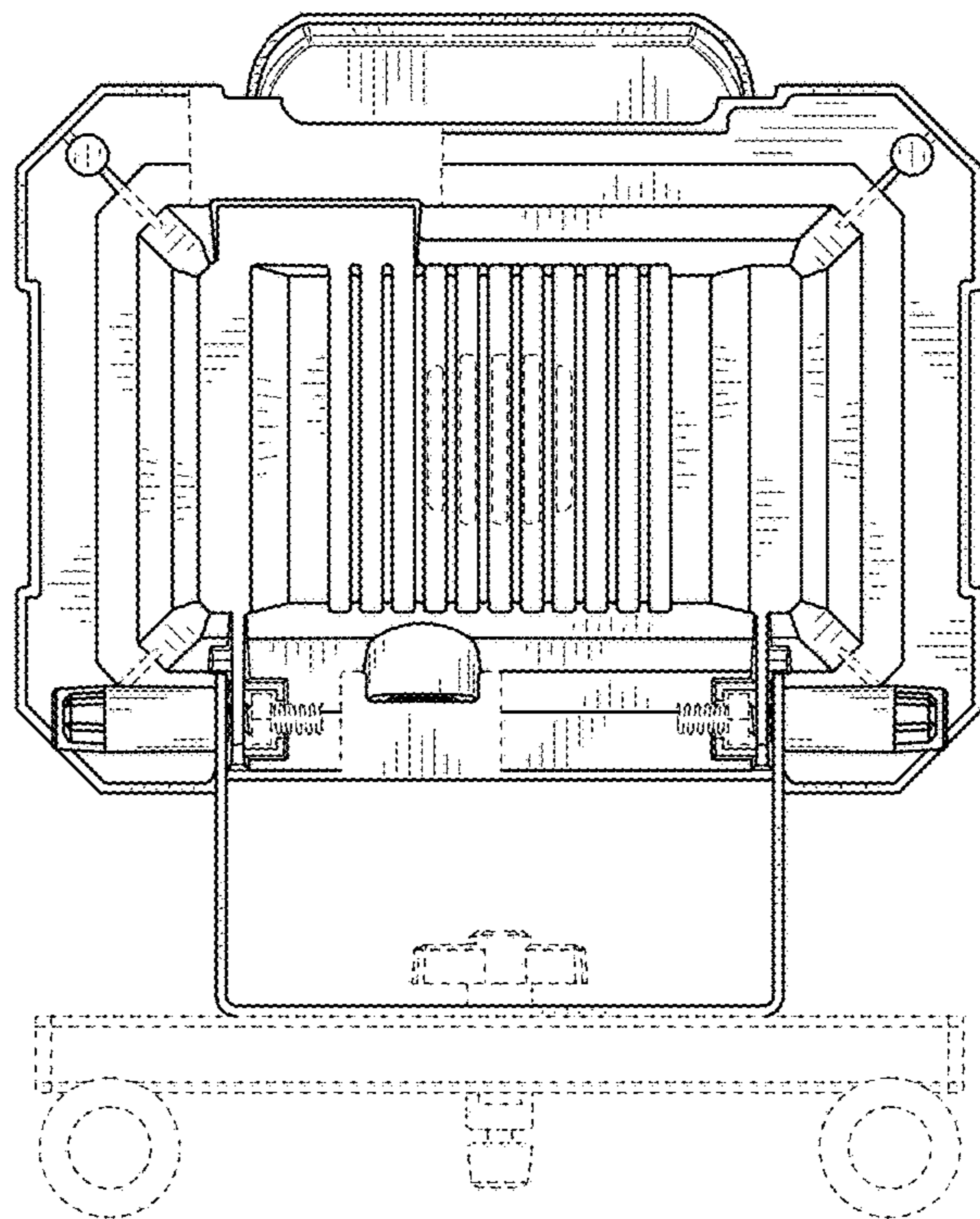


FIG. 3

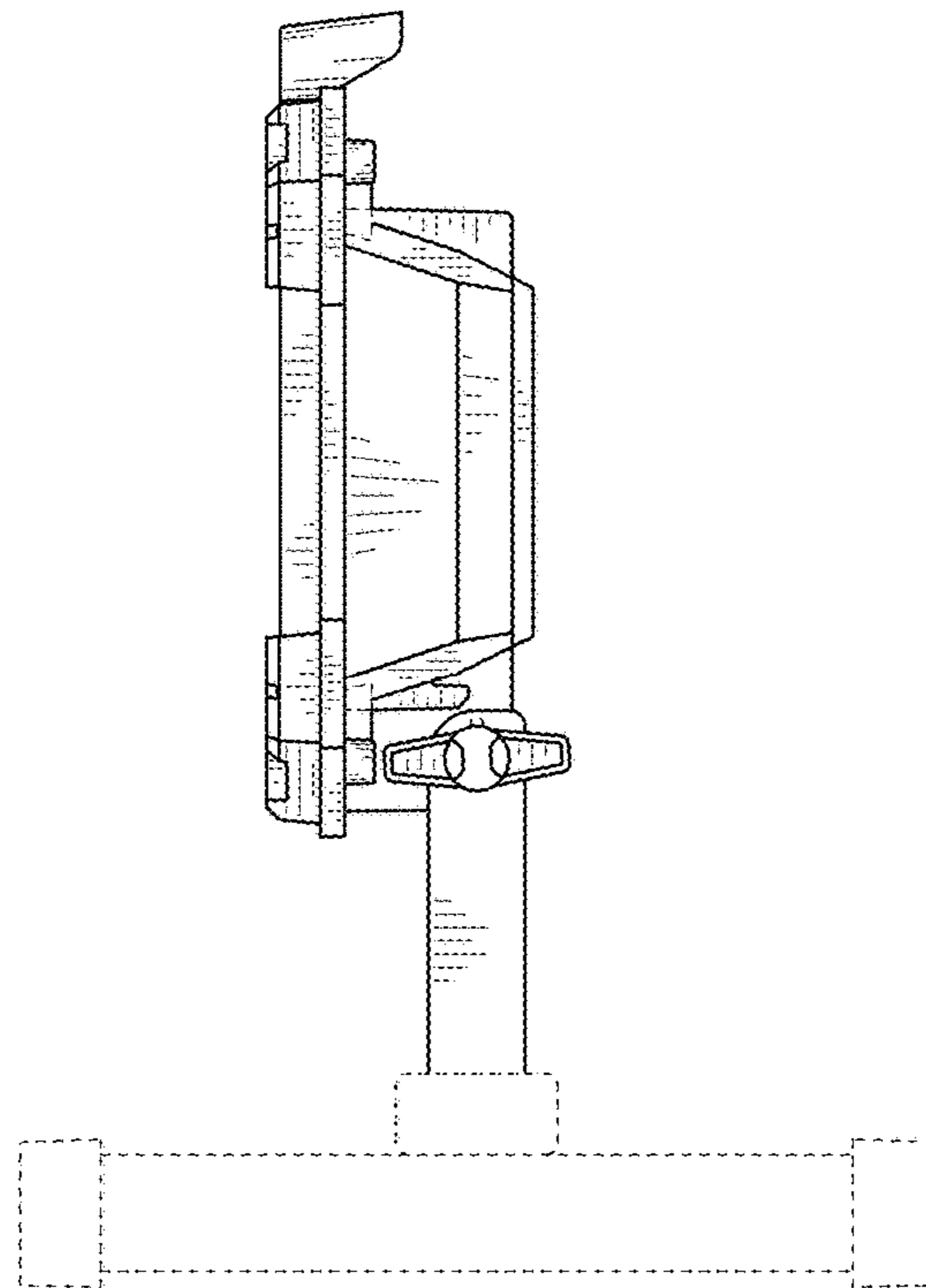


FIG. 4

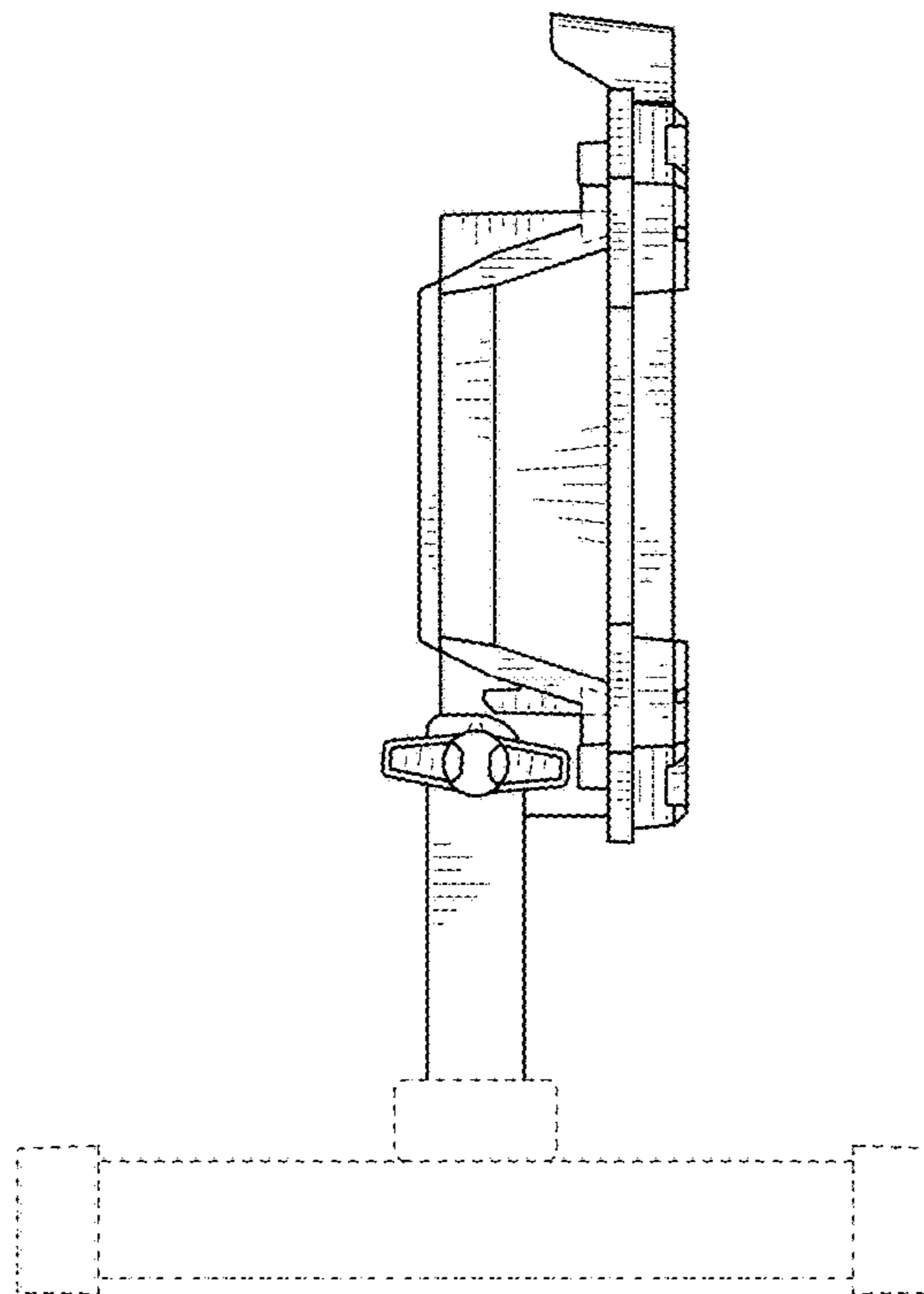


FIG. 5

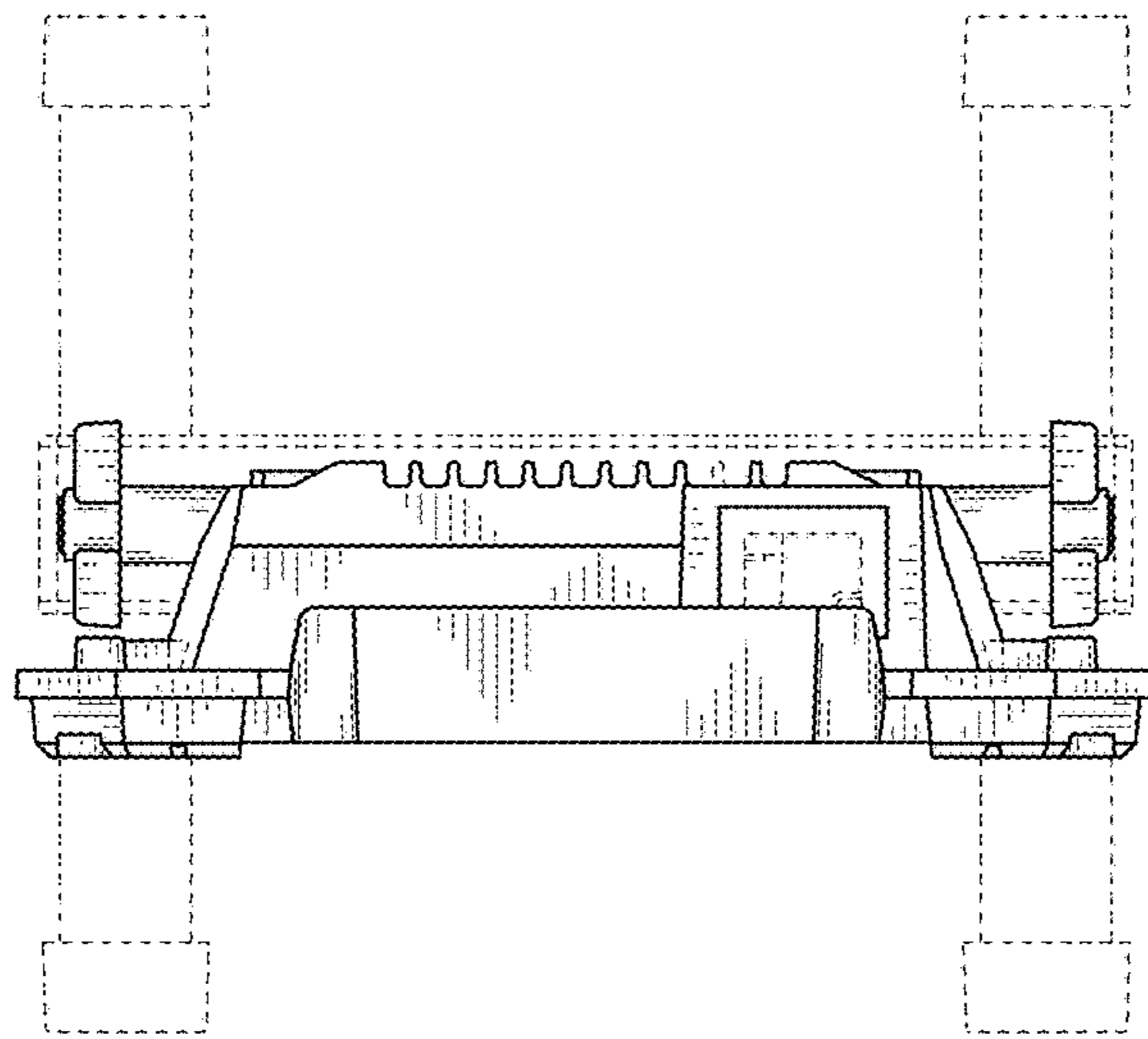


FIG. 6

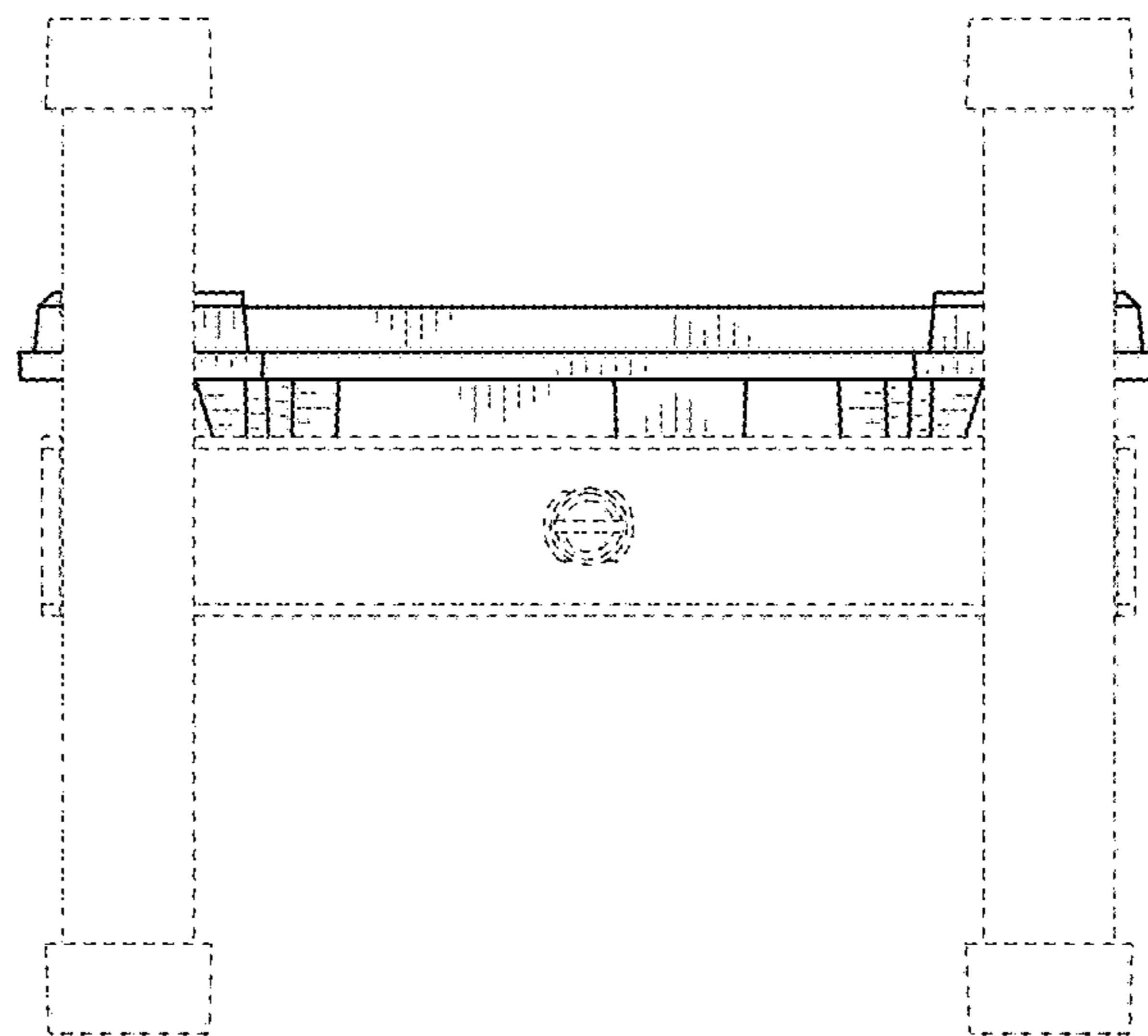


FIG. 7

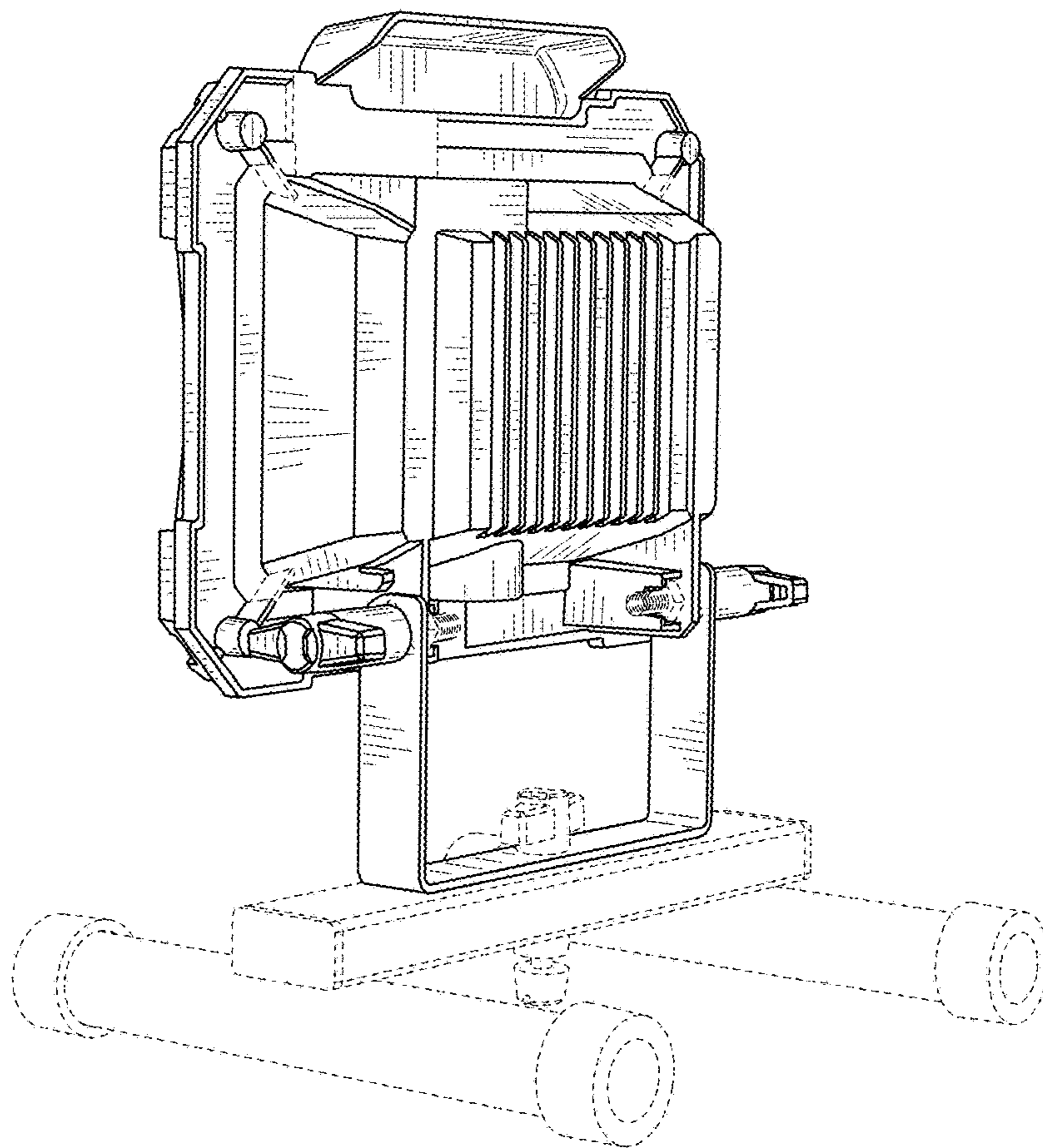


FIG. 8

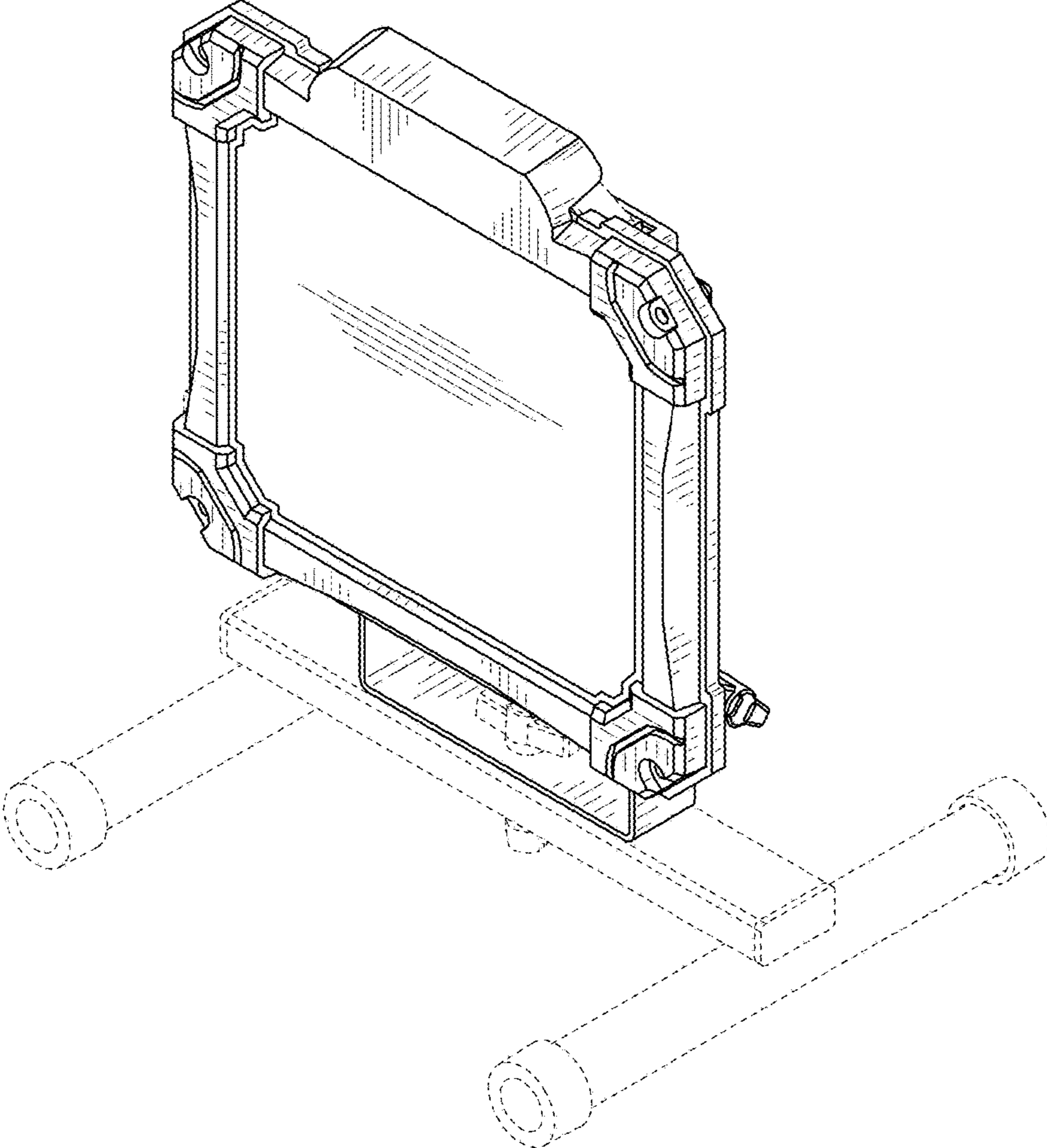


FIG. 9

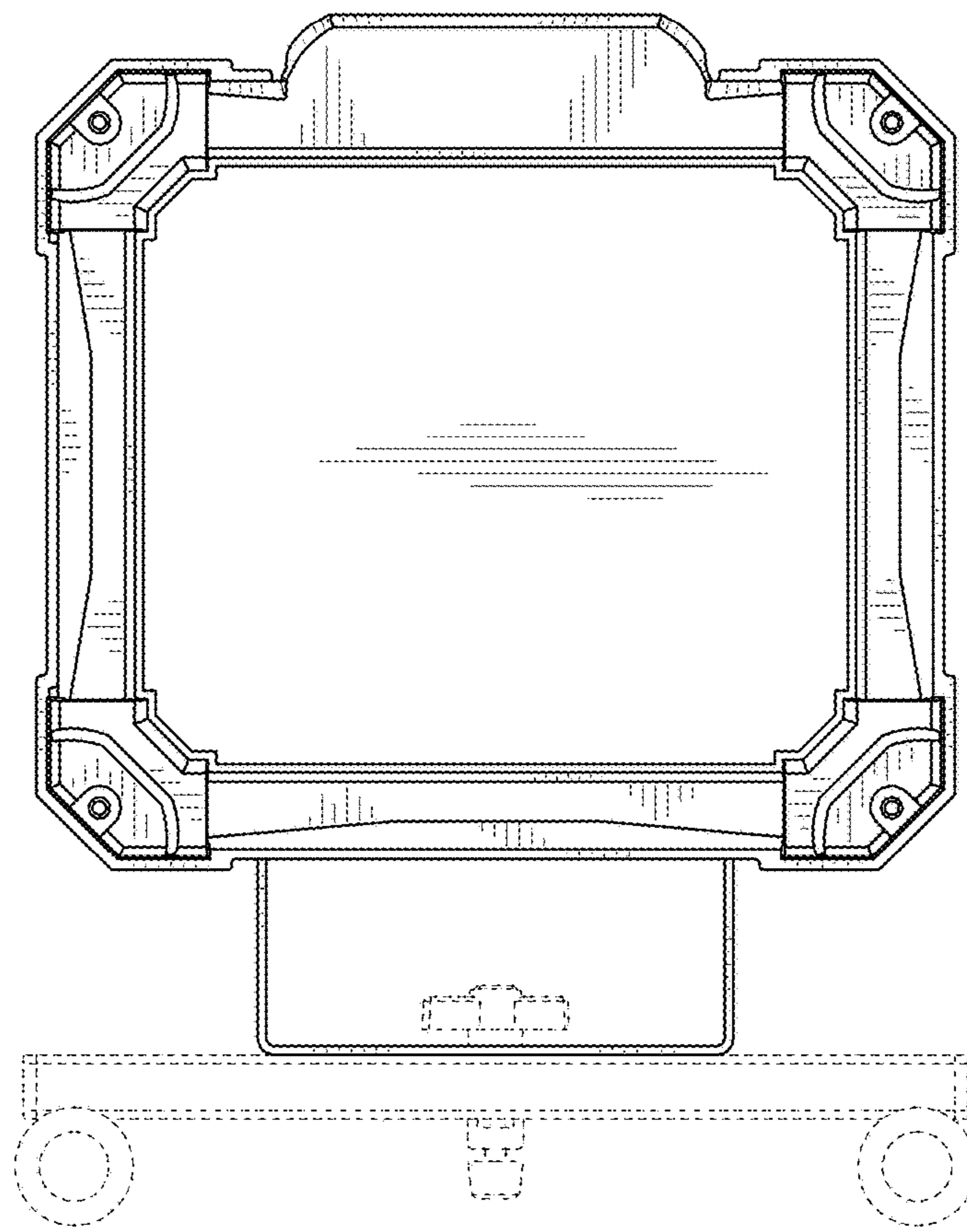


FIG. 10

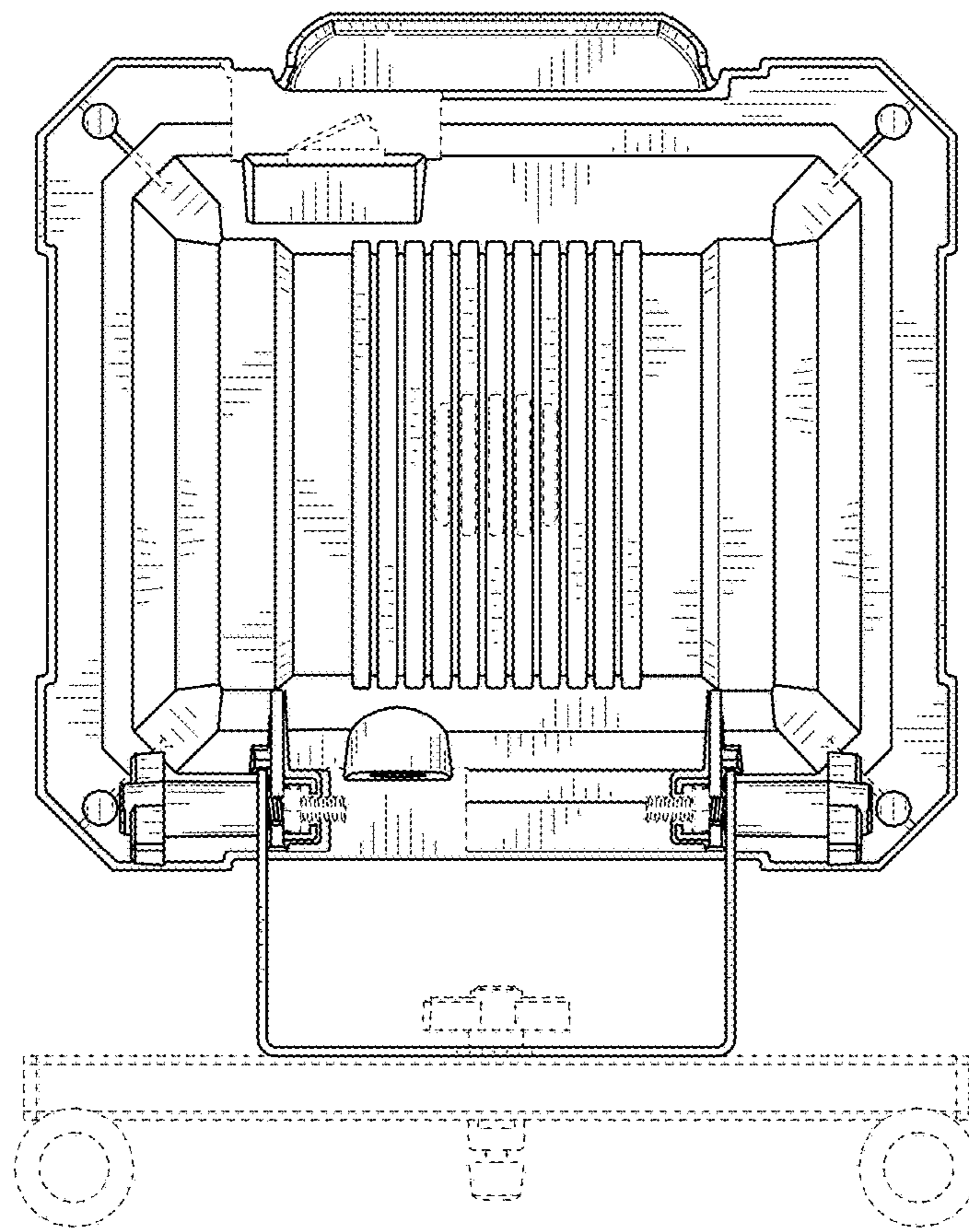


FIG. 11

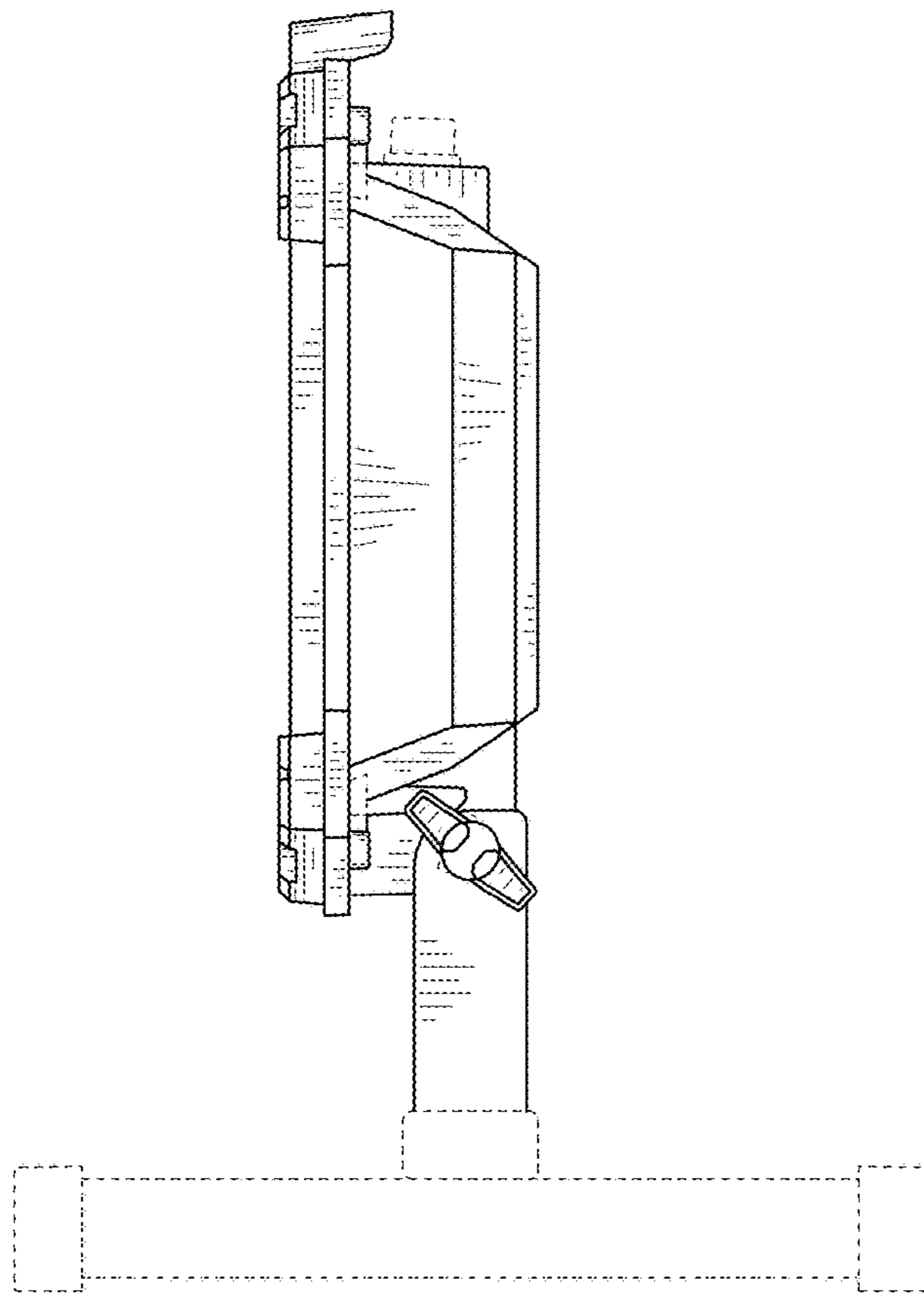


FIG. 12

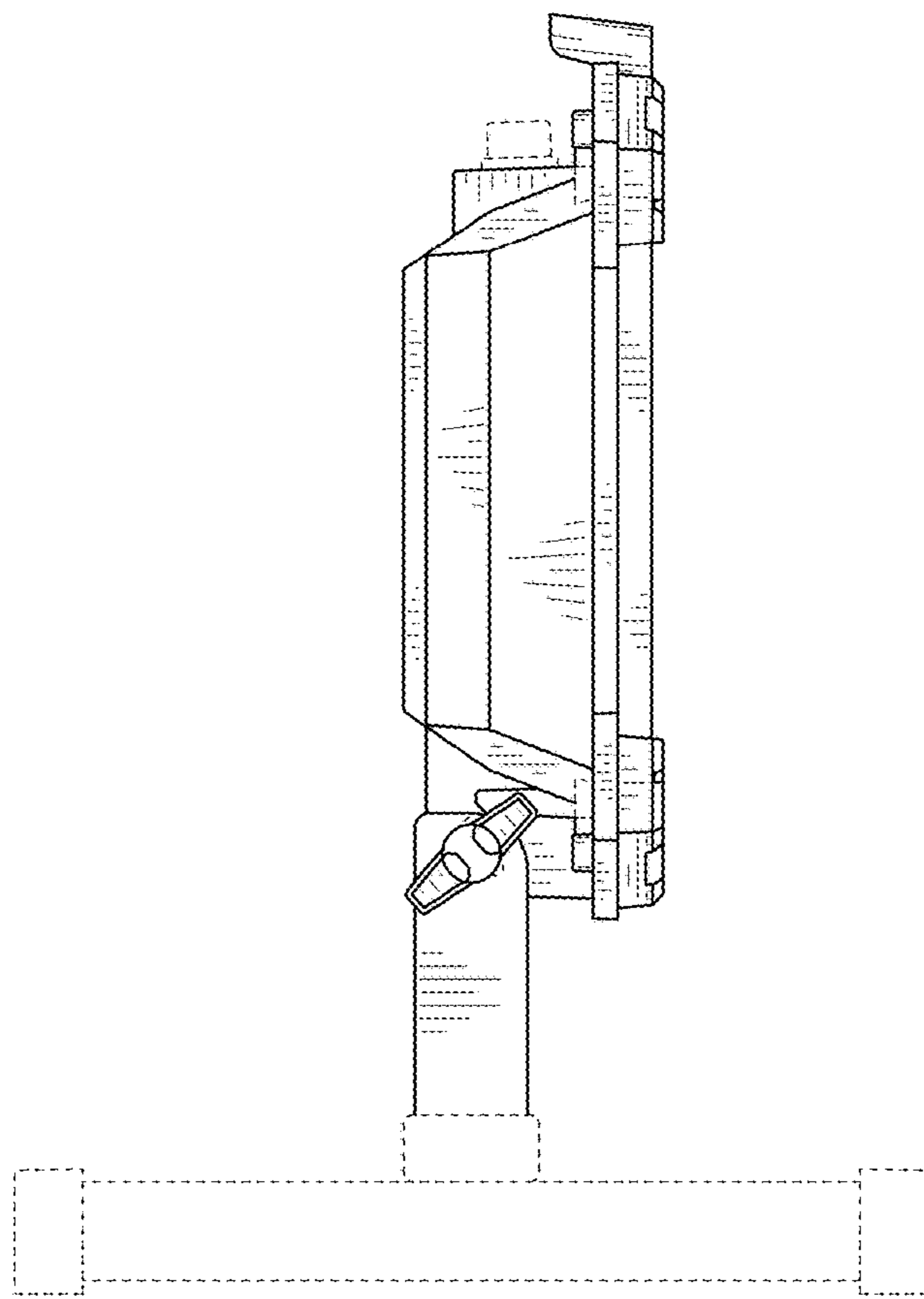


FIG. 13

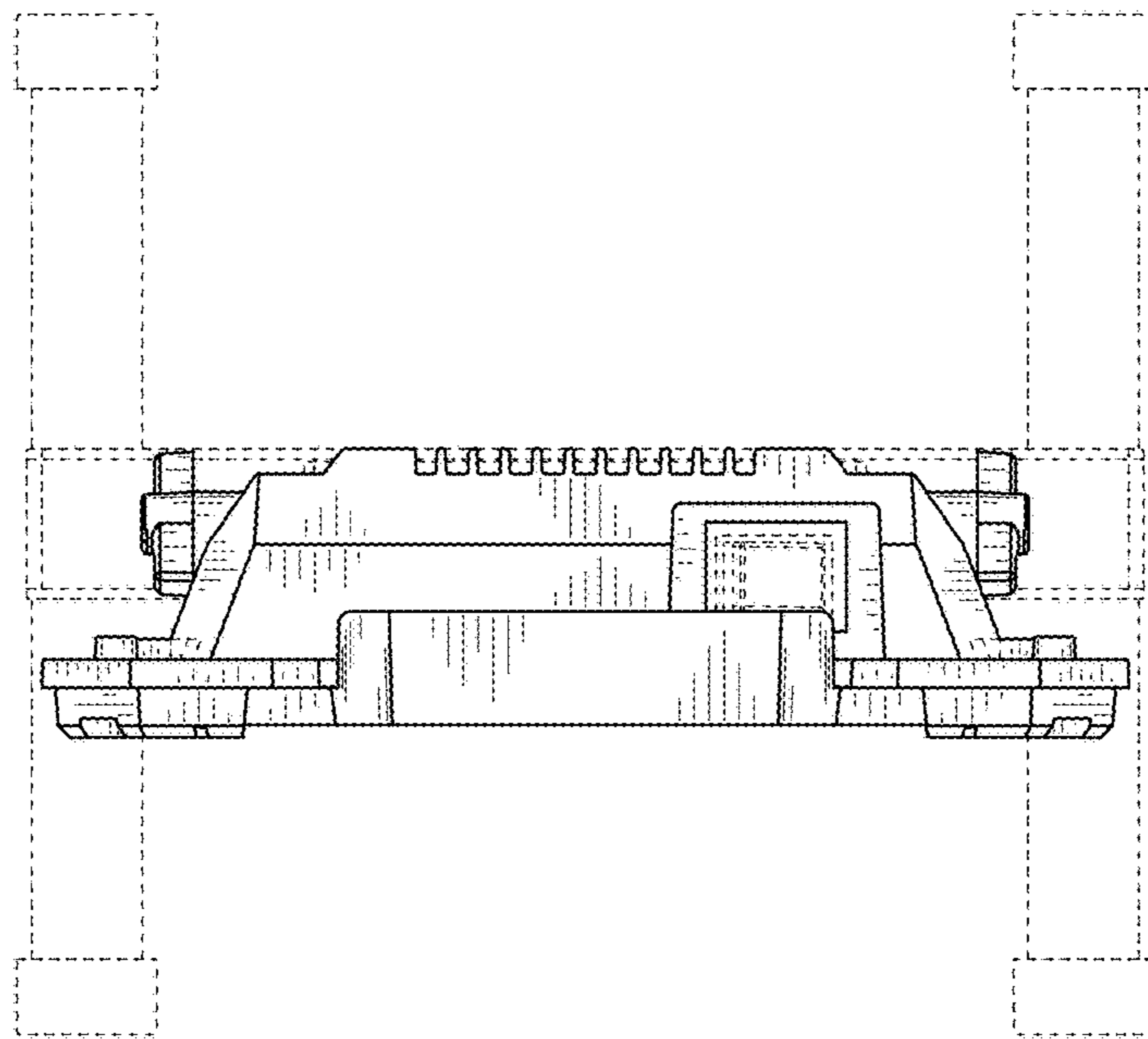


FIG. 14

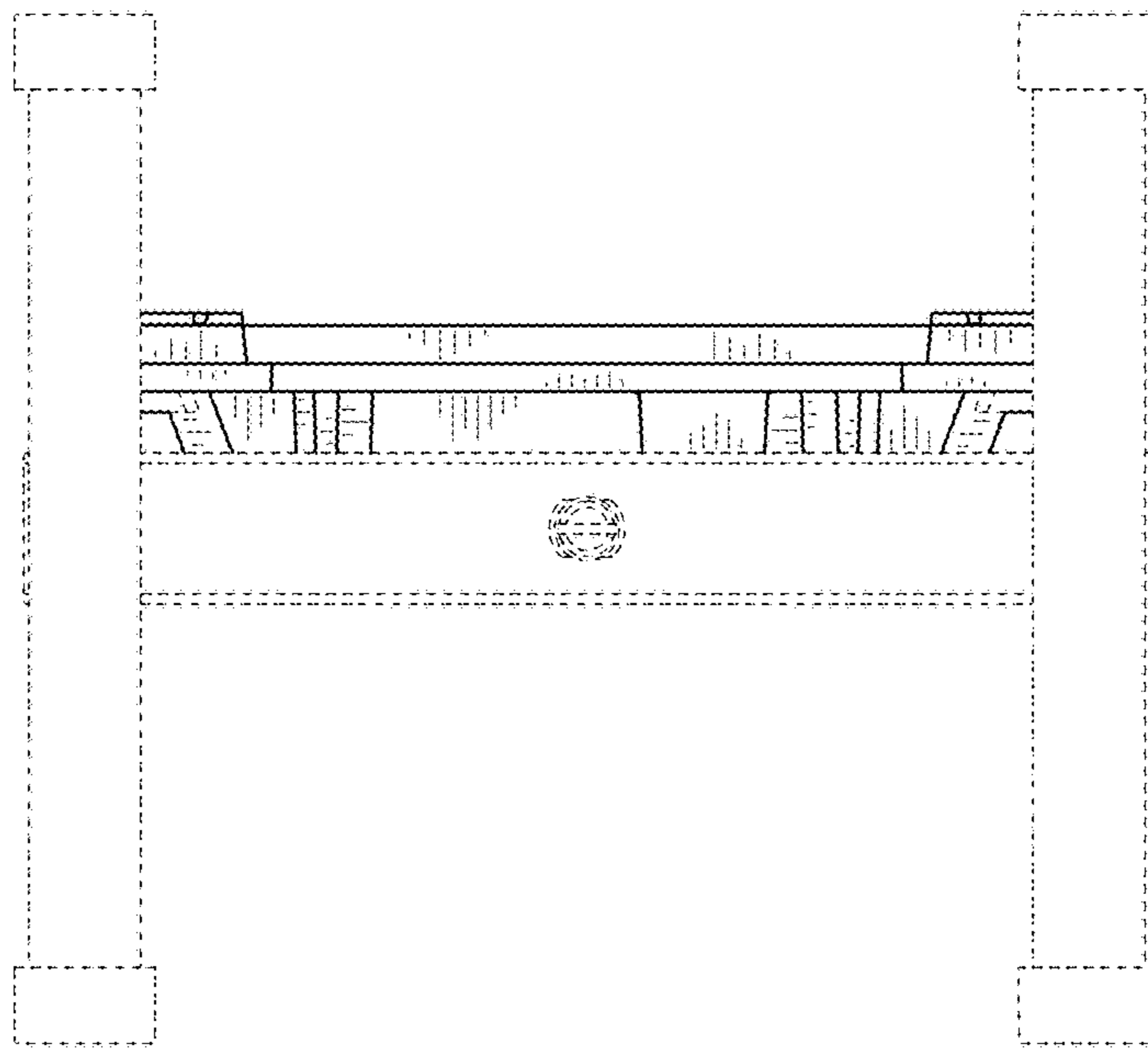


FIG. 15

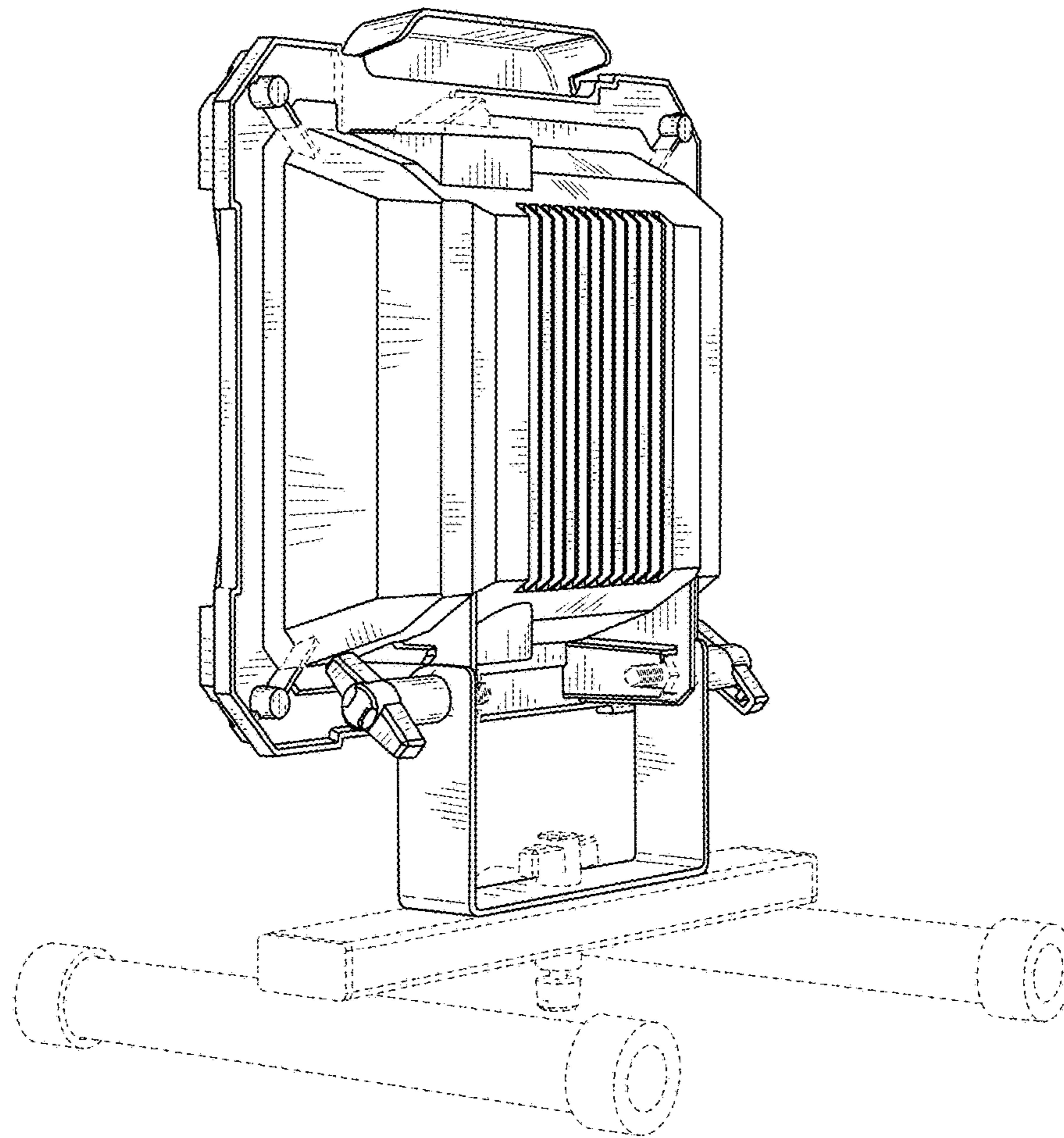


FIG. 16

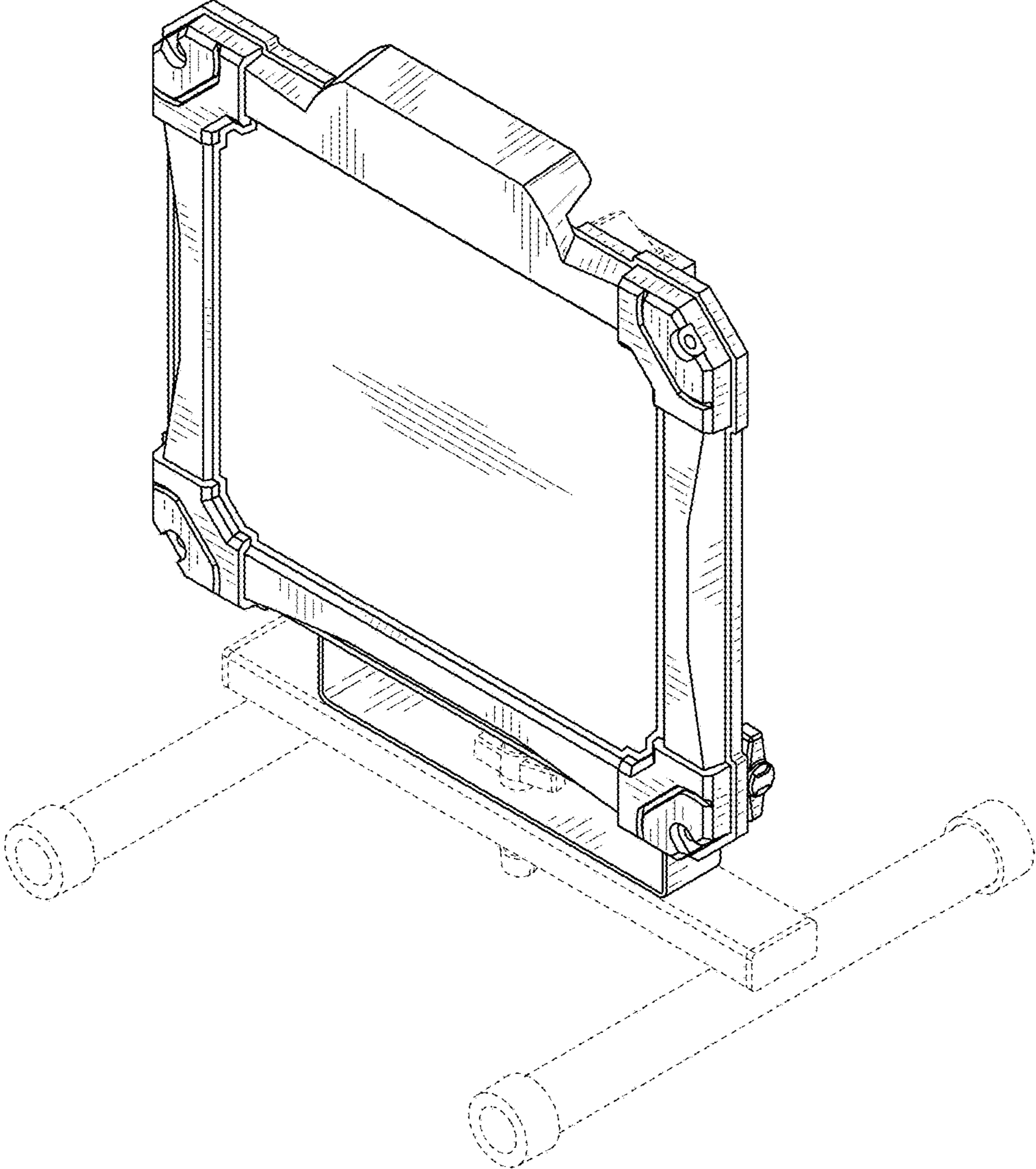


FIG. 17

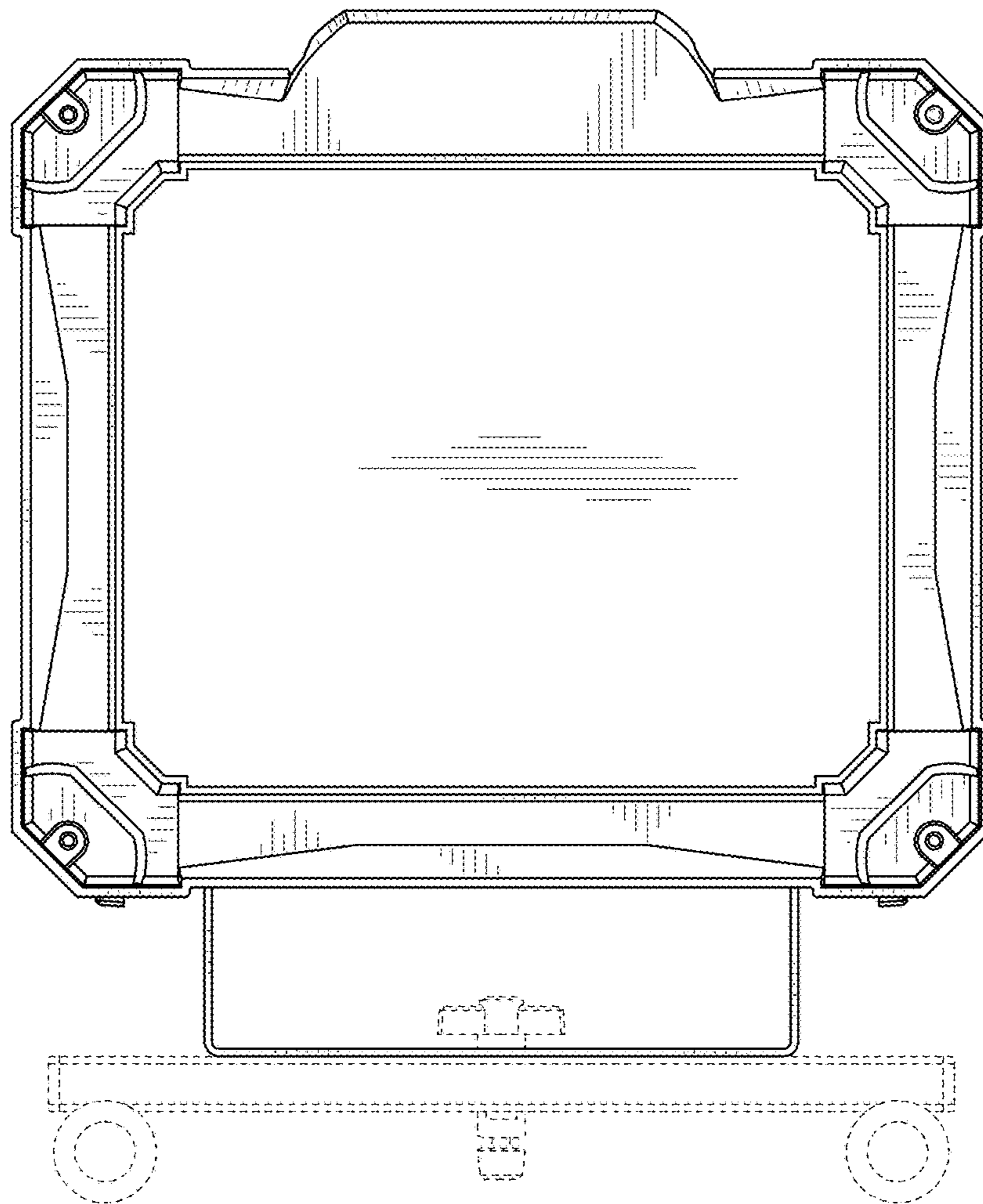


FIG. 18

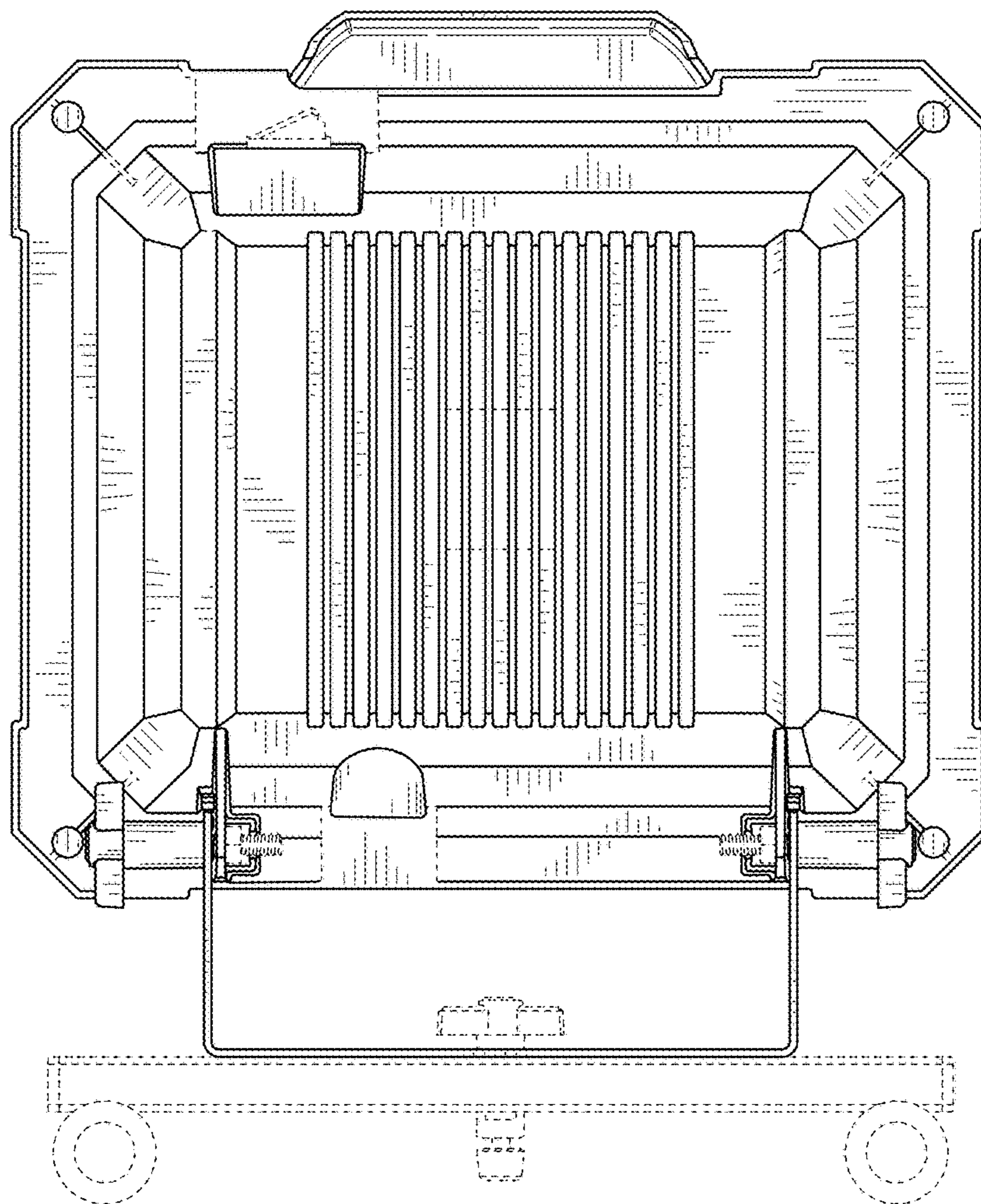


FIG. 19

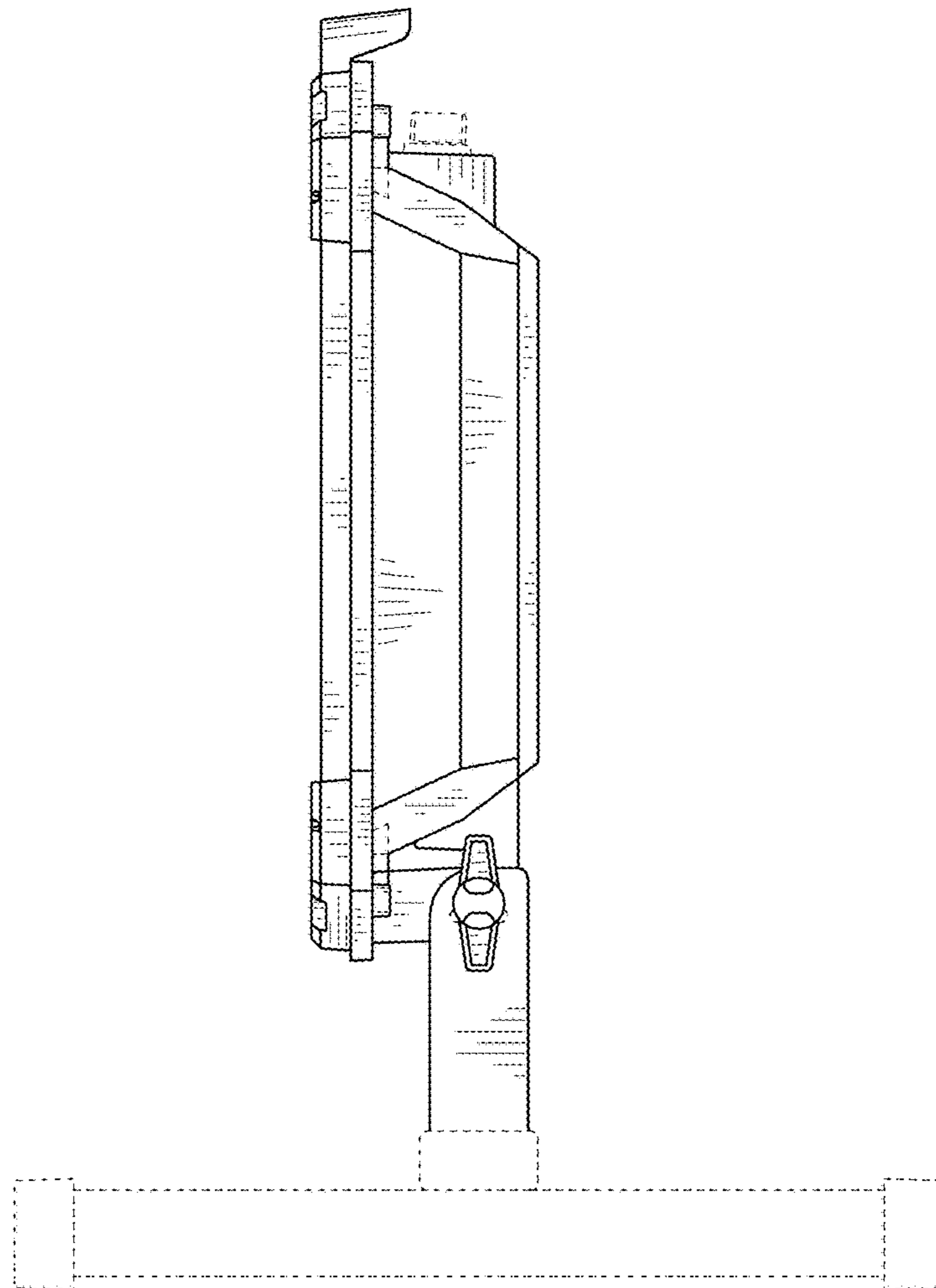


FIG. 20

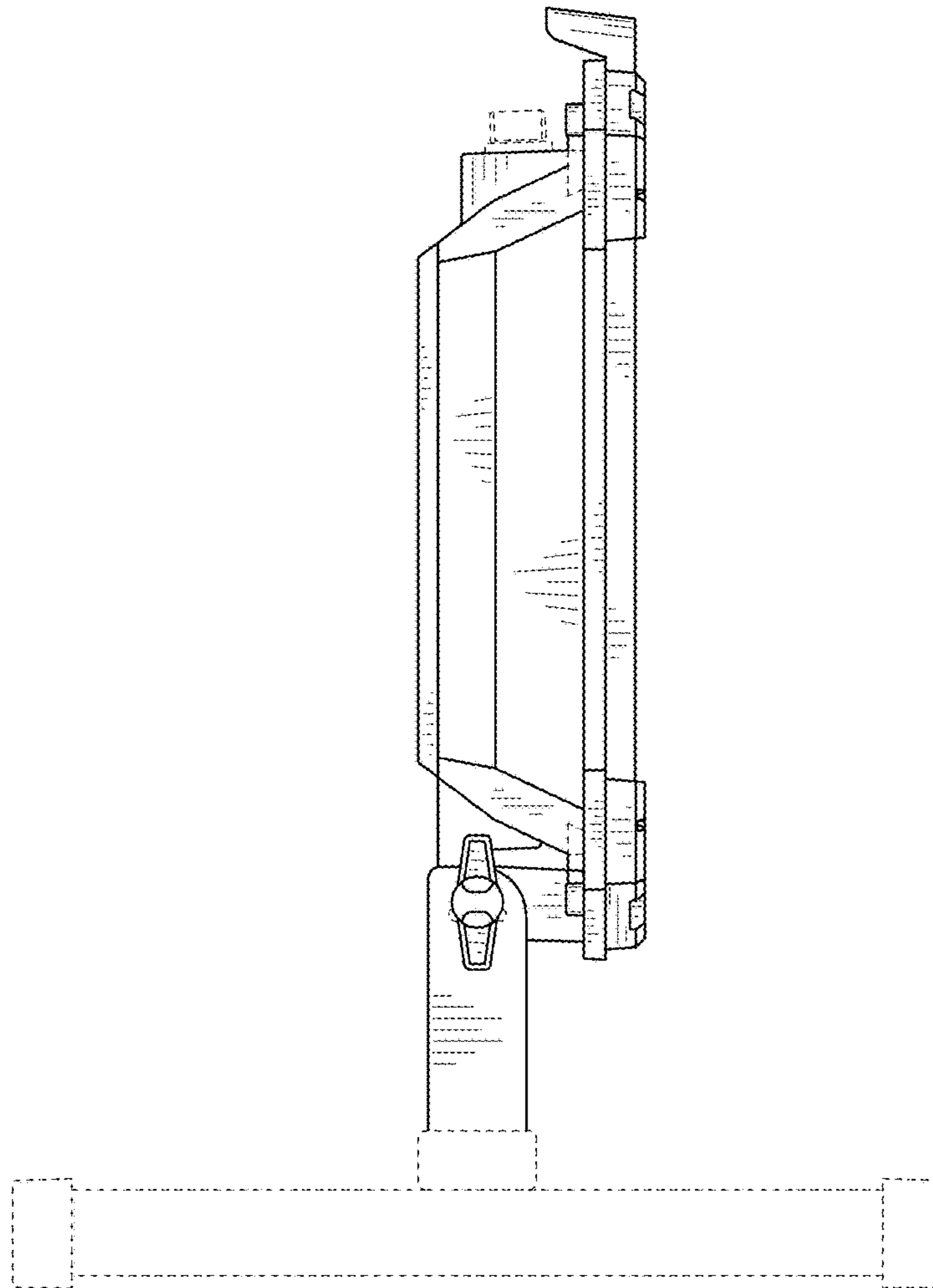


FIG. 21

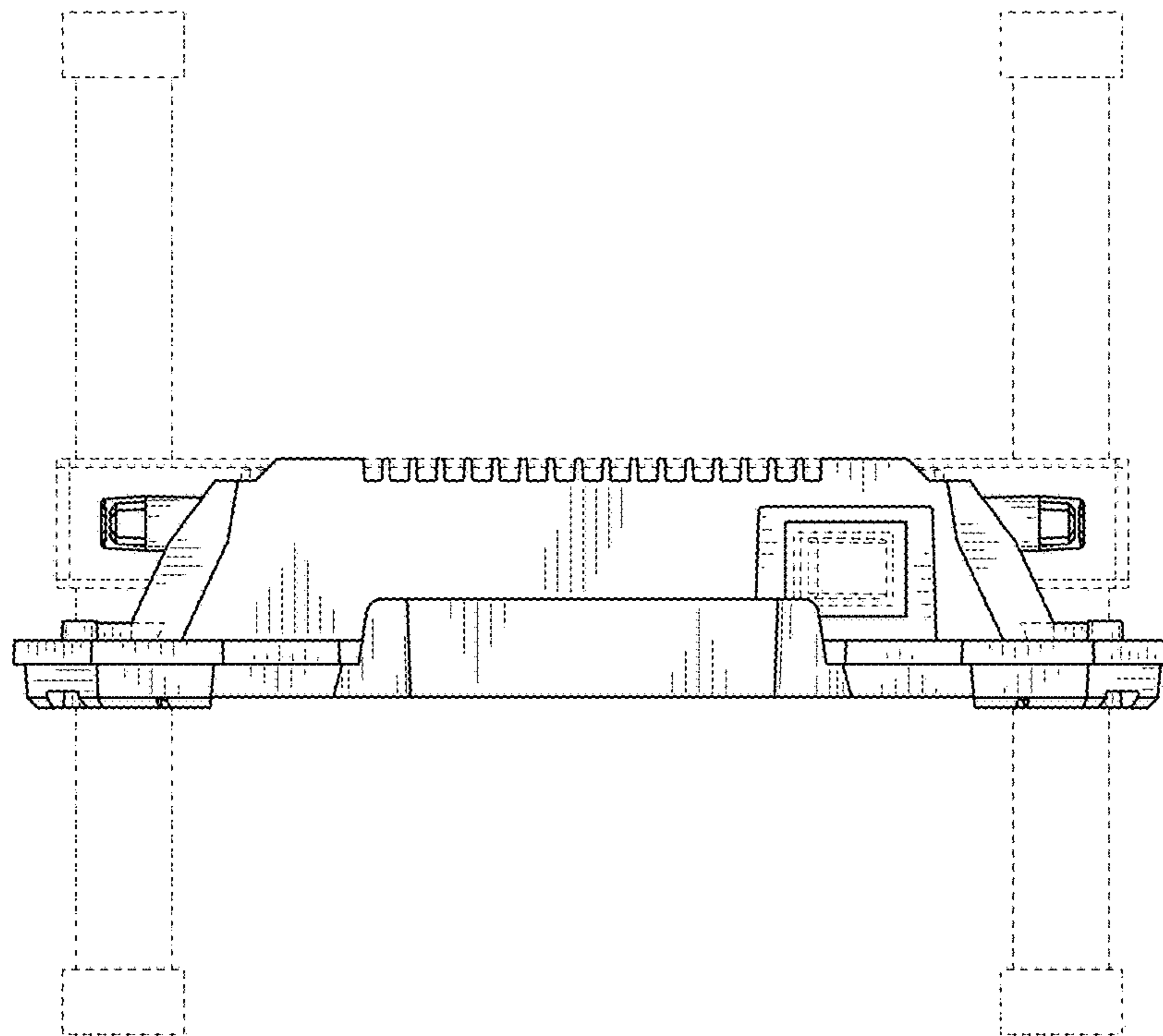


FIG. 22

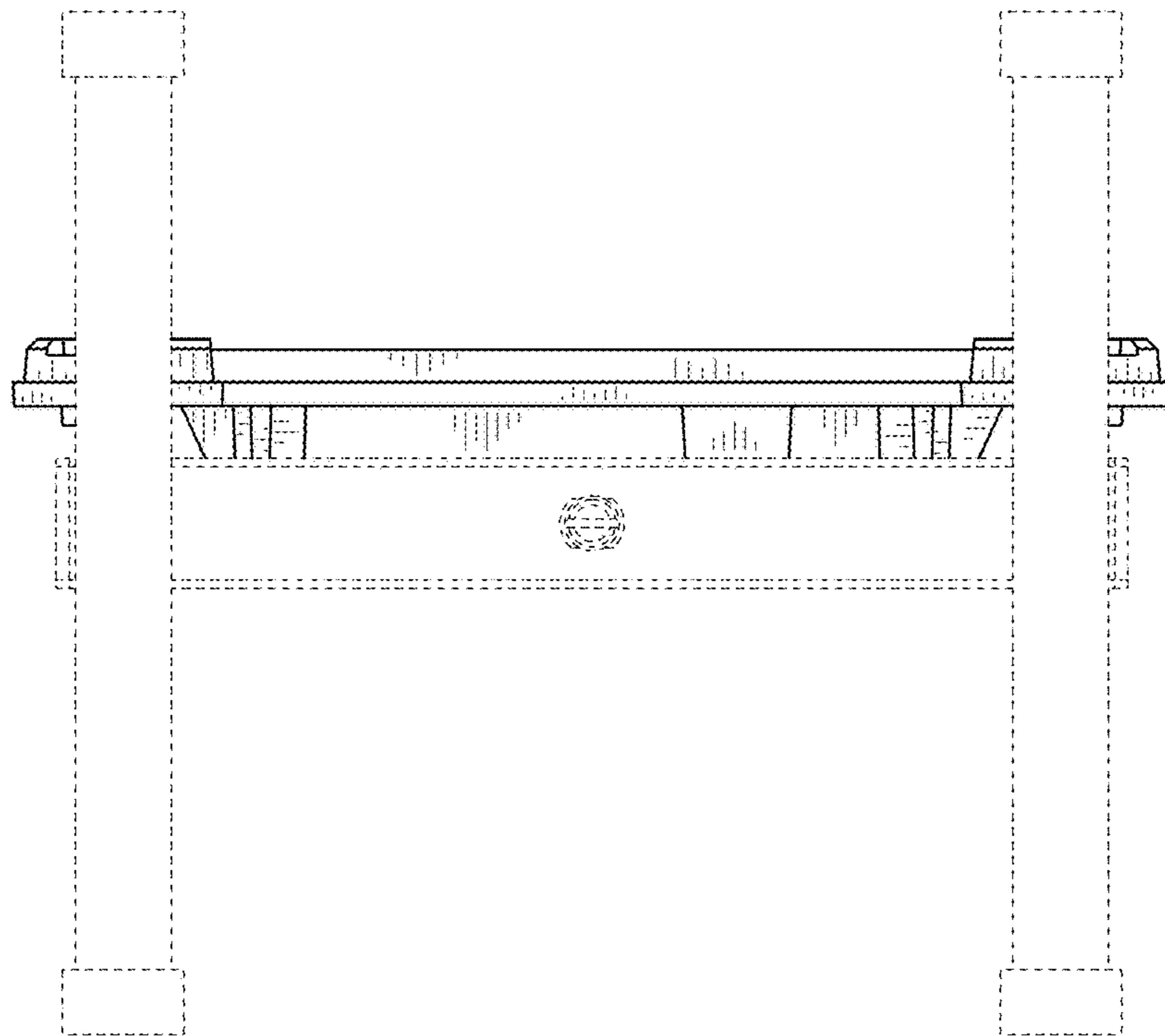


FIG. 23

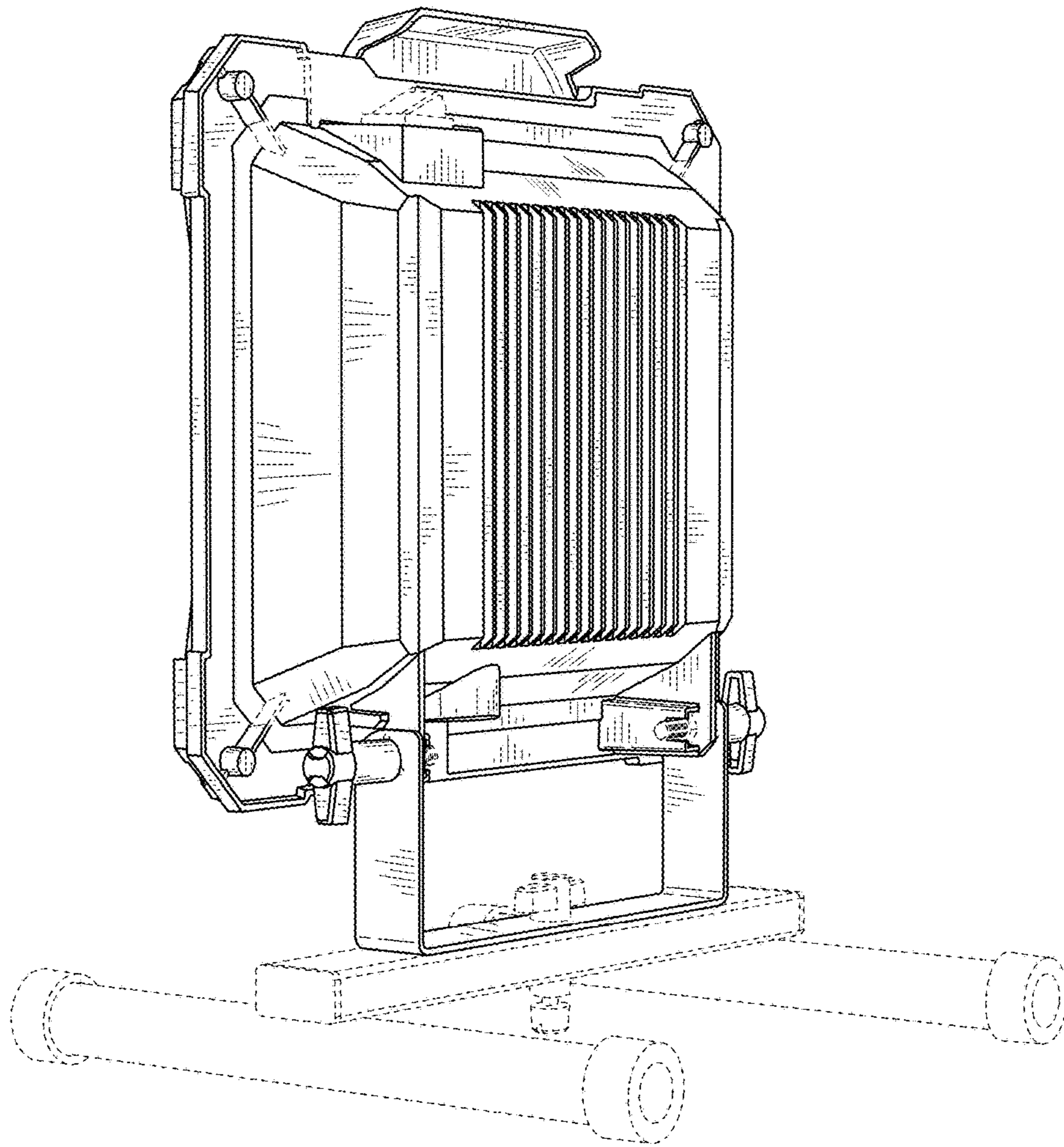


FIG. 24

UNITED STATES PATENT AND TRADEMARK OFFICE
CERTIFICATE OF CORRECTION

PATENT NO. : D834,232 S
APPLICATION NO. : 29/625296
DATED : November 20, 2018
INVENTOR(S) : Adam Green and Bernard Scott

Page 1 of 1

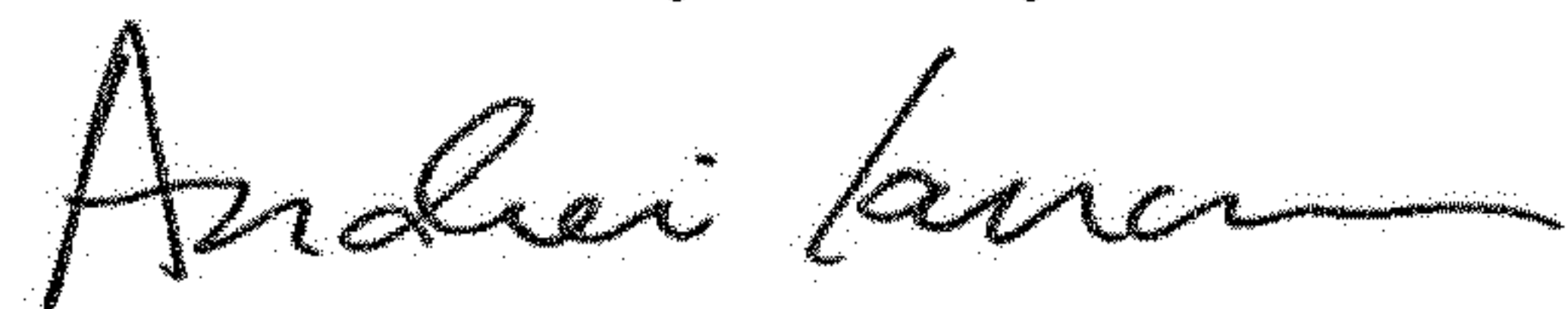
It is certified that error appears in the above-identified patent and that said Letters Patent is hereby corrected as shown below:

On the Title Page

Related U.S. Application Data:

(63) Continuation of application No. '29/168,679' should read --29/618,679--, filed on September 22, 2017.

Signed and Sealed this
Ninth Day of July, 2019



Andrei Iancu
Director of the United States Patent and Trademark Office