



US00D834229S

(12) **United States Design Patent** (10) **Patent No.:** **US D834,229 S**
Lee et al. (45) **Date of Patent:** **** Nov. 20, 2018**

(54) **REAR COMBINATION LAMP FOR CARS**

(56) **References Cited**

(71) Applicant: **HYUNDAI MOTOR COMPANY**,
Seoul (KR)

U.S. PATENT DOCUMENTS

(72) Inventors: **Jin-Sil Lee**, Suwon-si (KR); **Yu-Ra Cha**, Seoul (KR); **Jin-Hyuk Bae**, Daegu (KR); **Oh-Young Kwon**, Hwaseong-si (KR); **Sung-No Kim**, Ansan-si (KR)

D657,482 S *	4/2012	Kong	D26/28
D714,986 S *	10/2014	Moon	D26/28
D721,195 S *	1/2015	Lim	D26/28
D755,423 S *	5/2016	Kong	D26/28
D756,003 S *	5/2016	Kong	D26/28
D774,220 S *	12/2016	Lim	D26/28
D774,223 S *	12/2016	Lim	D26/28
D776,312 S *	1/2017	Han	D26/28
D780,352 S *	2/2017	Ha	D26/28
D781,471 S *	3/2017	Han	D26/28
D814,081 S *	3/2018	Ha	D26/28
D815,767 S *	4/2018	Park	D26/28
D815,768 S *	4/2018	Park	D26/28

(**) Term: **15 Years**

(21) Appl. No.: **35/503,780**

(22) Filed: **Aug. 10, 2017**

* cited by examiner

(80) **Hague Agreement Data**

Int. Filing Date: **Aug. 10, 2017**
Int. Reg. No.: **DM/097773**
Int. Reg. Date: **Aug. 10, 2017**
Int. Reg. Pub. Date: **Oct. 6, 2017**

Primary Examiner — George D. Kirschbaum
Assistant Examiner — Natasha Vujcic

(57) **CLAIM**

The ornamental design for a rear combination lamp for cars, as shown and described.

(30) **Foreign Application Priority Data**

Feb. 17, 2017 (KR) 30 2017 0007442

(51) **LOC (11) Cl.** **26-06**

(52) **U.S. Cl.**
USPC **D26/28**

(58) **Field of Classification Search**
USPC ... D26/3, 28, 76, 78, 79, 80, 81, 82, 83, 85,
D26/86, 88, 90, 93, 111, 113, 118, 119,
D26/120, 121, 122, 138, 139, 140, 141,
D26/142, 152

CPC F21S 2/00; F21S 4/00; F21S 4/003; F21S
4/005; F21S 4/006; F21S 4/007; F21S
4/008; F21S 6/00; F21S 8/00; F21S
8/024; F21S 8/026; F21S 8/031; F21S
8/033; F21S 8/035–8/037; F21S 8/04;
F21S 8/043; F21S 8/063

See application file for complete search history.

DESCRIPTION

1. Rear combination lamp for cars

1.1 : Perspective

1.2 : Front

1.3 : Back

1.4 : Left

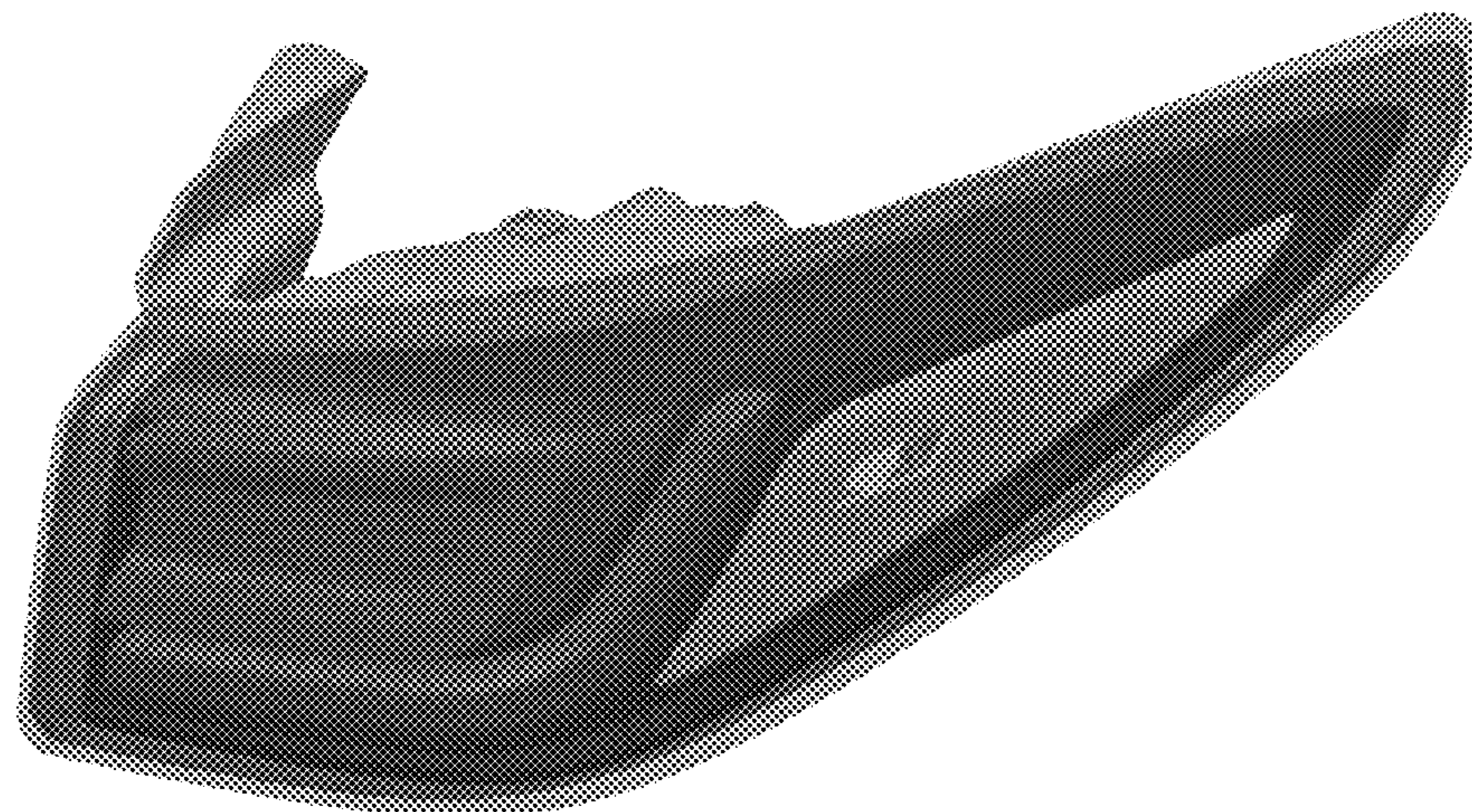
1.5 : Right

1.6 : Top

1.7 : Bottom

1.1 is a perspective view of a rear combination lamp for cars showing our new design; 1.2 is a front elevation view thereof; 1.3 is a back elevation view thereof; 1.4 is a left side elevation view thereof; 1.5 is a right side elevation view thereof; 1.6 is a top plan view thereof; and 1.7 is a bottom plan view thereof.

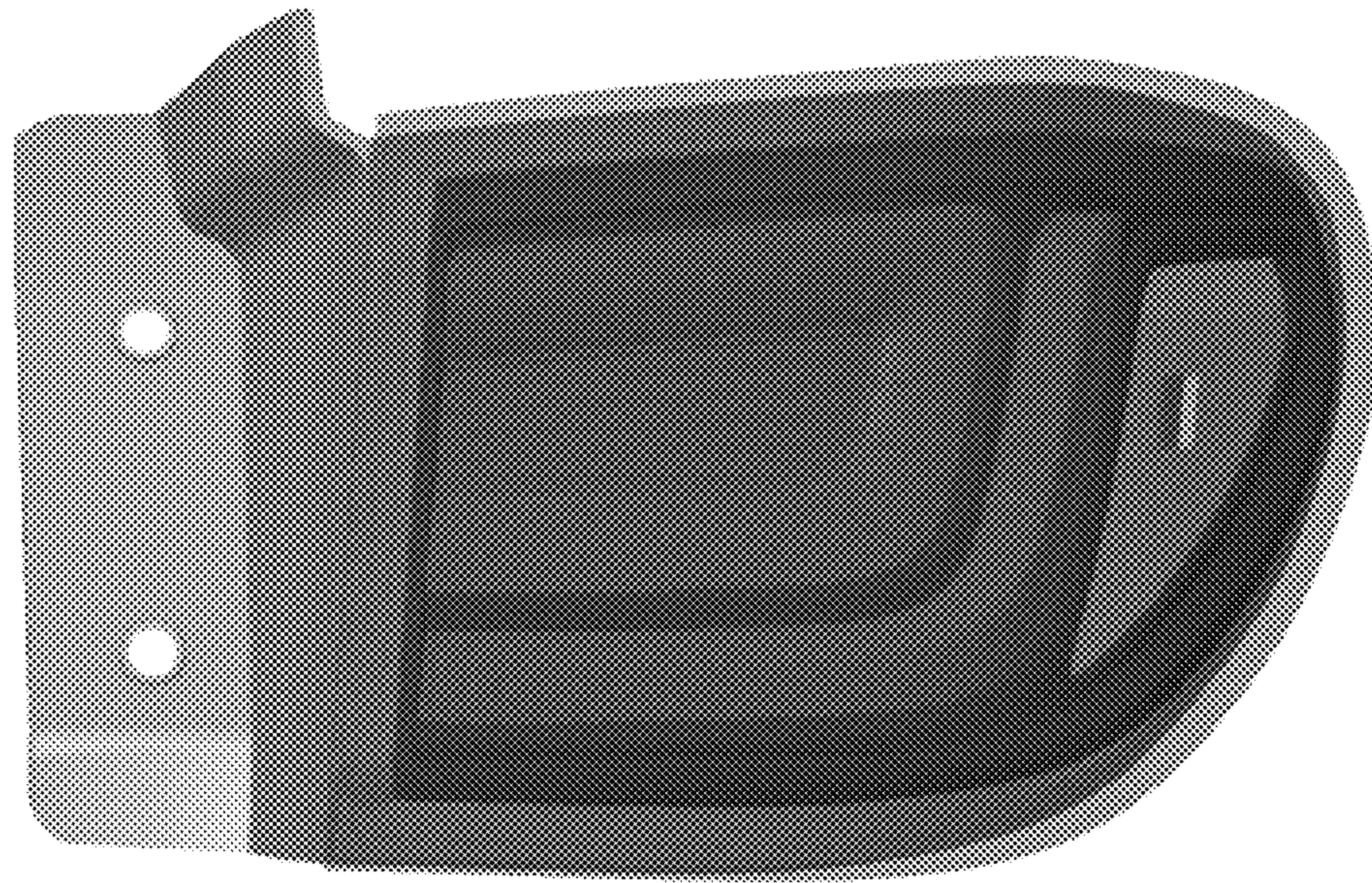
1 Claim, 7 Drawing Sheets



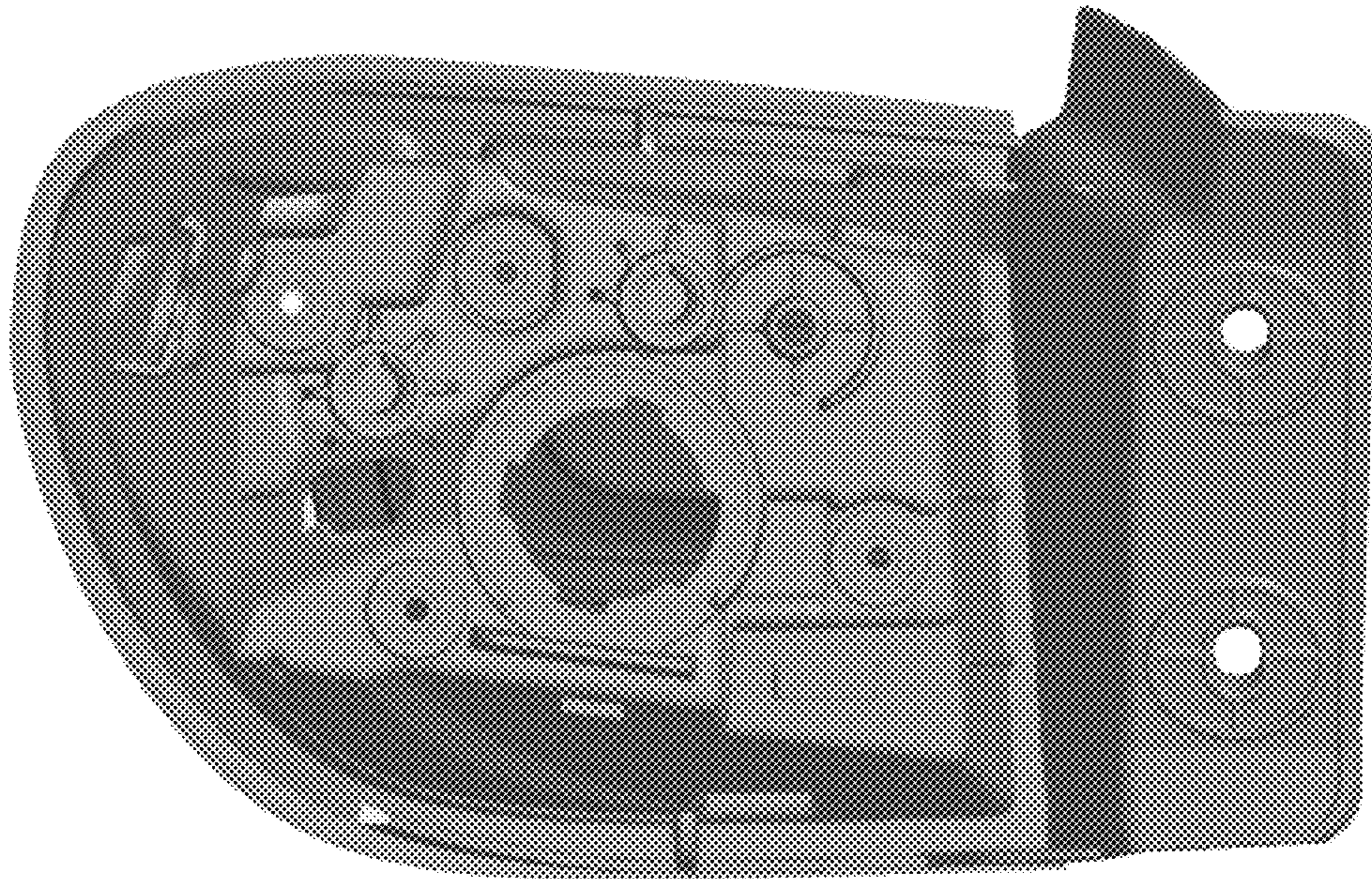
1.1



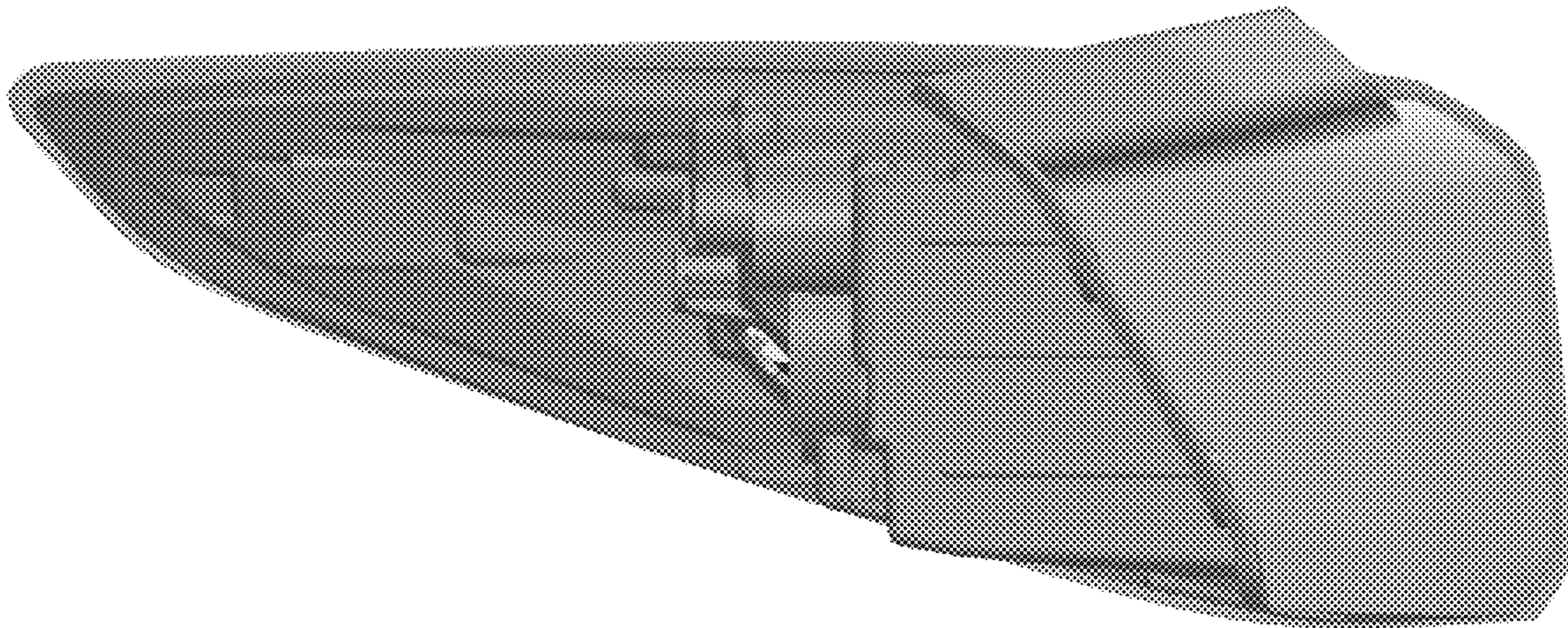
1.2



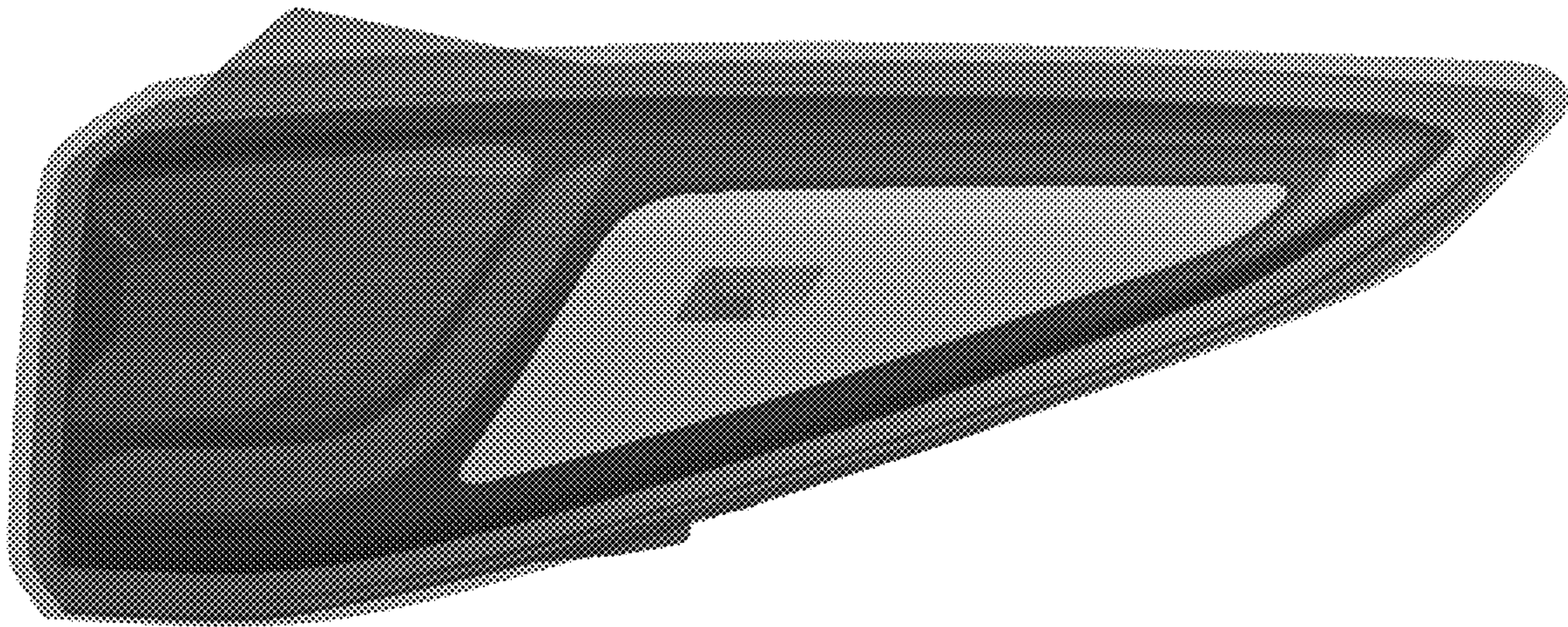
1.3



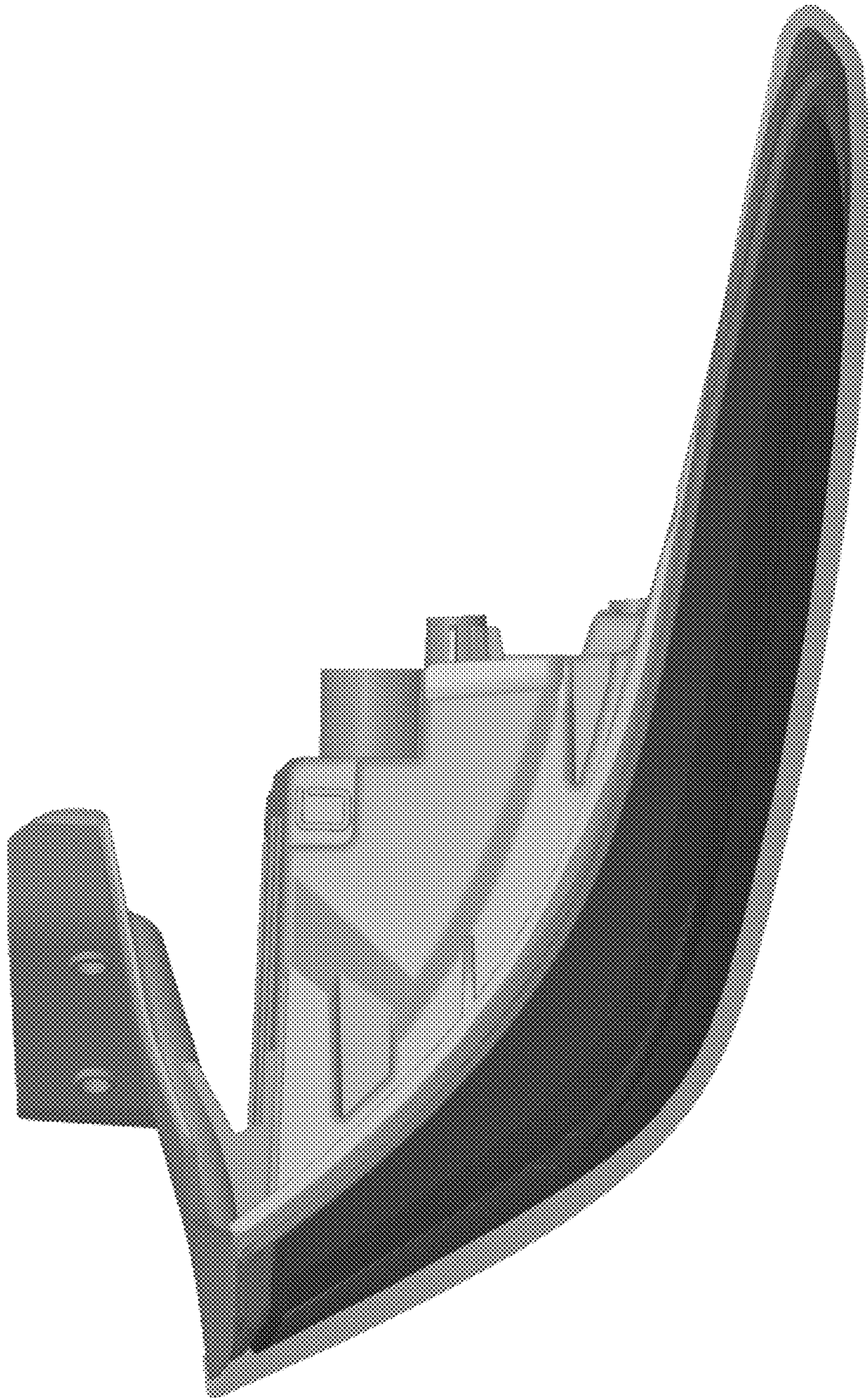
1.4



1.5



1.6



1.7

