



US00D834225S

(12) **United States Design Patent** (10) **Patent No.:** **US D834,225 S**  
**Kwon et al.** (45) **Date of Patent:** **\*\* Nov. 20, 2018**

(54) **HEADLIGHT FOR CARS**

(56) **References Cited**

(71) Applicant: **HYUNDAI MOTOR COMPANY**,  
Seoul (KR)

(72) Inventors: **Oh-Young Kwon**, Hwaseong-si (KR);  
**Yu-Ra Cha**, Seoul (KR); **Jin-Sil Lee**,  
Suwon-si (KR); **Jin-Hyuk Bae**, Daegu  
(KR); **Dae-Keun Ryu**, Seoul (KR);  
**Sung-No Kim**, Ansan-si (KR)

U.S. PATENT DOCUMENTS

D452,922 S *	1/2002	Kim .....	D26/28
D593,233 S *	5/2009	Bai .....	D26/28
D695,936 S *	12/2013	Ishizuka .....	D26/28
D707,861 S *	6/2014	Lai .....	D26/28
D715,981 S *	10/2014	Moon .....	D26/28
D736,440 S *	8/2015	Sato .....	D26/28
D740,463 S *	10/2015	Ko .....	D26/28
D752,785 S *	3/2016	Horiuchi .....	D26/28
D759,865 S *	6/2016	Shim .....	D26/28
D761,466 S *	7/2016	Kwon .....	D26/28
D785,829 S *	5/2017	Park .....	D26/28
D785,830 S *	5/2017	Park .....	D26/28
D788,956 S *	6/2017	Hong .....	D26/28
D814,080 S *	3/2018	Ha .....	D26/28

(\*\*) Term: **15 Years**

(21) Appl. No.: **35/503,746**

(22) Filed: **Aug. 10, 2017**

(80) **Hague Agreement Data**

Int. Filing Date: **Aug. 10, 2017**  
 Int. Reg. No.: **DM/097759**  
 Int. Reg. Date: **Aug. 10, 2017**  
 Int. Reg. Pub. Date: **Oct. 6, 2017**

\* cited by examiner

*Primary Examiner* — George D. Kirschbaum

*Assistant Examiner* — Natasha Vujcic

(30) **Foreign Application Priority Data**

Feb. 17, 2017 (KR) ..... 30-2017-0007447

(51) **LOC (11) Cl.** ..... **26-06**

(52) **U.S. Cl.**  
USPC ..... **D26/28**

(58) **Field of Classification Search**  
 USPC ... D26/3, 28, 76, 78, 79, 80, 81, 82, 83, 85,  
 D26/86, 88, 90, 93, 111, 113, 118, 119,  
 D26/120, 121, 122, 138, 139, 140, 141,  
 D26/142, 152

CPC ..... F21S 2/00; F21S 4/00; F21S 4/003; F21S  
 4/005; F21S 4/006; F21S 4/007; F21S  
 4/008; F21S 6/00; F21S 8/00; F21S  
 8/024; F21S 8/026; F21S 8/031; F21S  
 8/033; F21S 8/035–8/037; F21S 8/04;  
 F21S 8/043; F21S 8/063

See application file for complete search history.

(57) **CLAIM**

The ornamental design for a headlight for cars, as shown and described.

**DESCRIPTION**

1. Headlight for cars

1.1 : Perspective

1.2 : Front

1.3 : Back

1.4 : Left

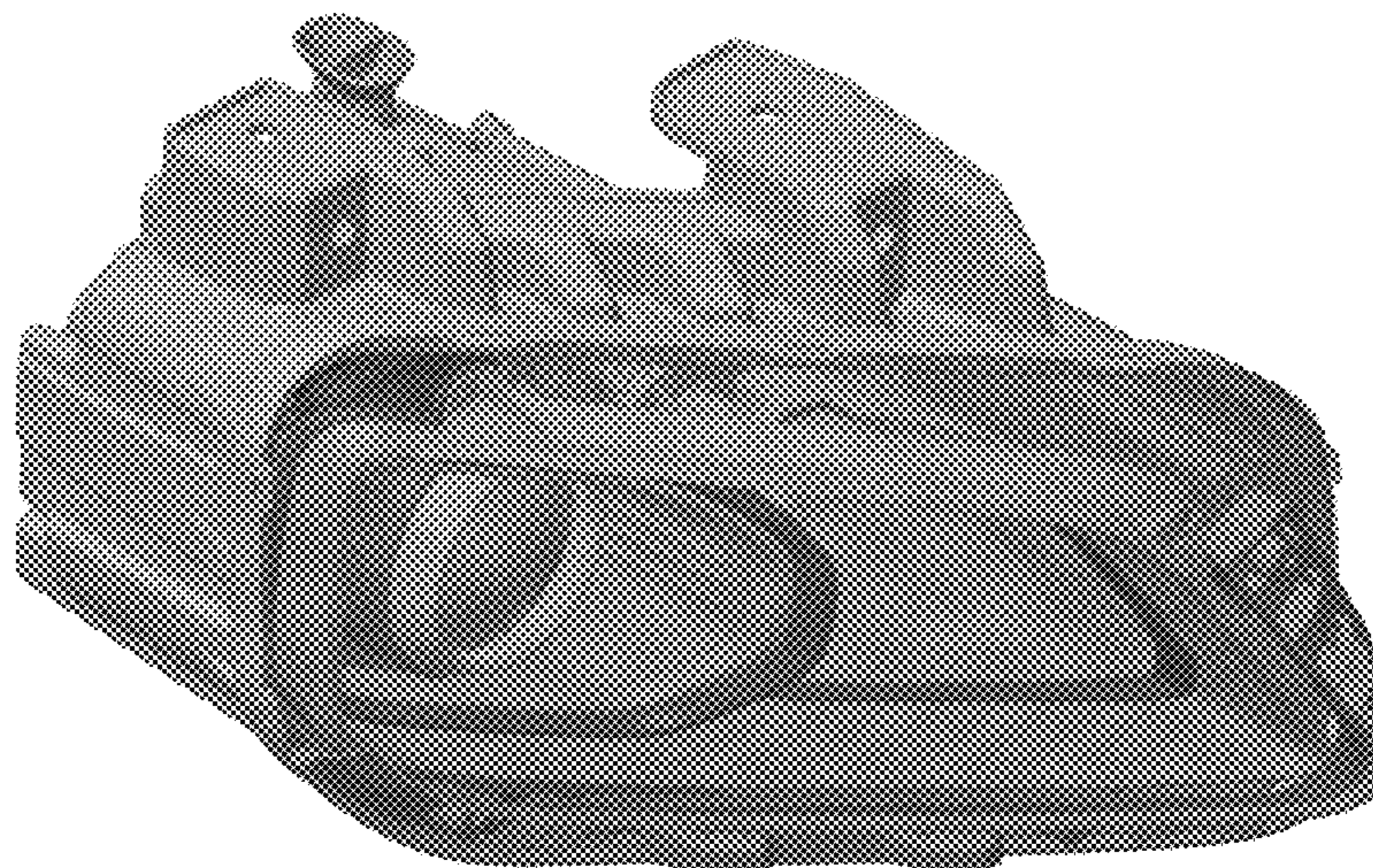
1.5 : Right

1.6 : Top

1.7 : Bottom

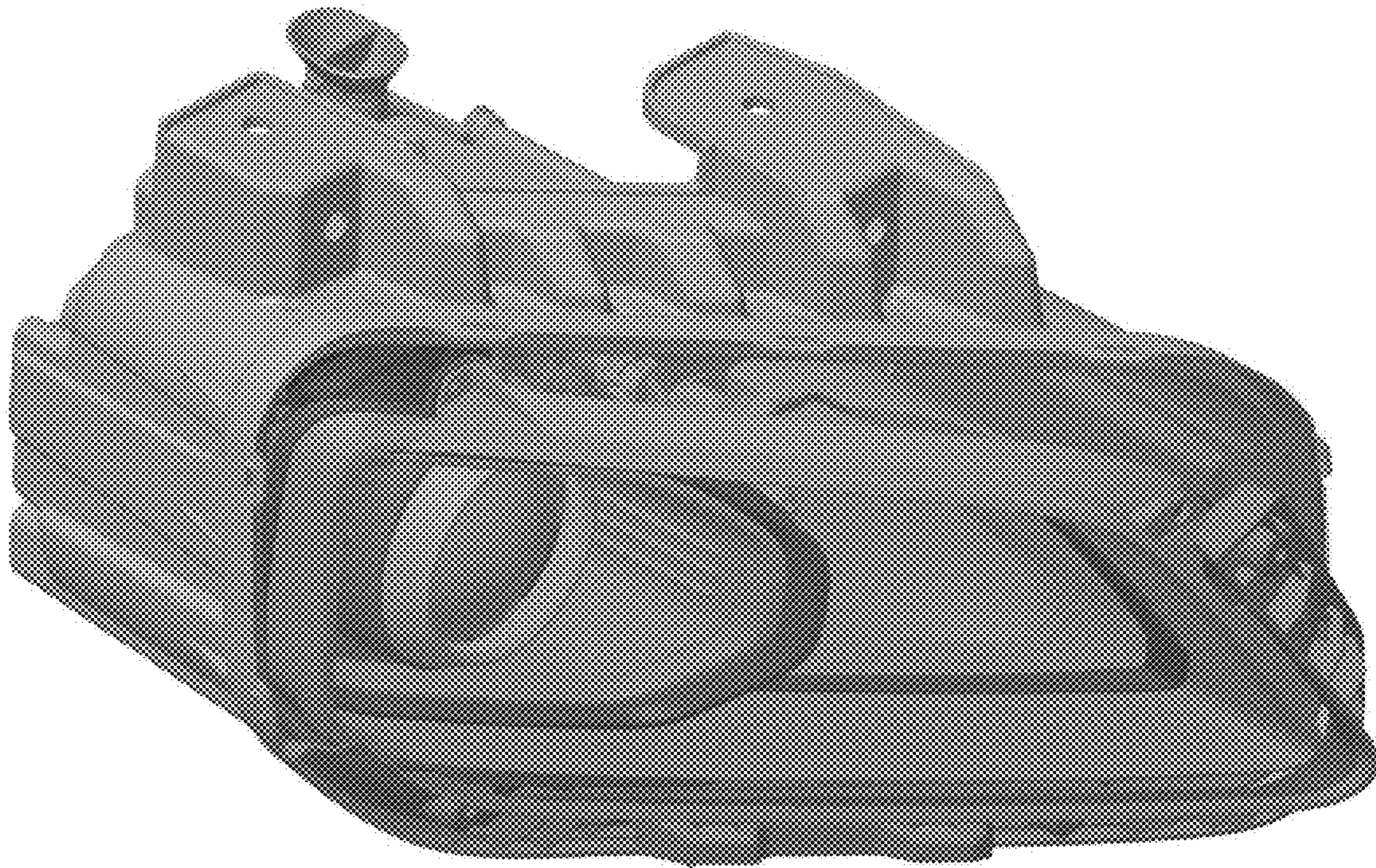
1.1 is a perspective view of a headlights for cars showing our new design; 1.2 is a front elevation view thereof; 1.3 is a back elevation view thereof; 1.4 is a left side elevation view thereof; 1.5 is a right side elevation view thereof; 1.6 is a top plan view thereof; and 1.7 is a bottom plan view thereof.

**1 Claim, 7 Drawing Sheets**



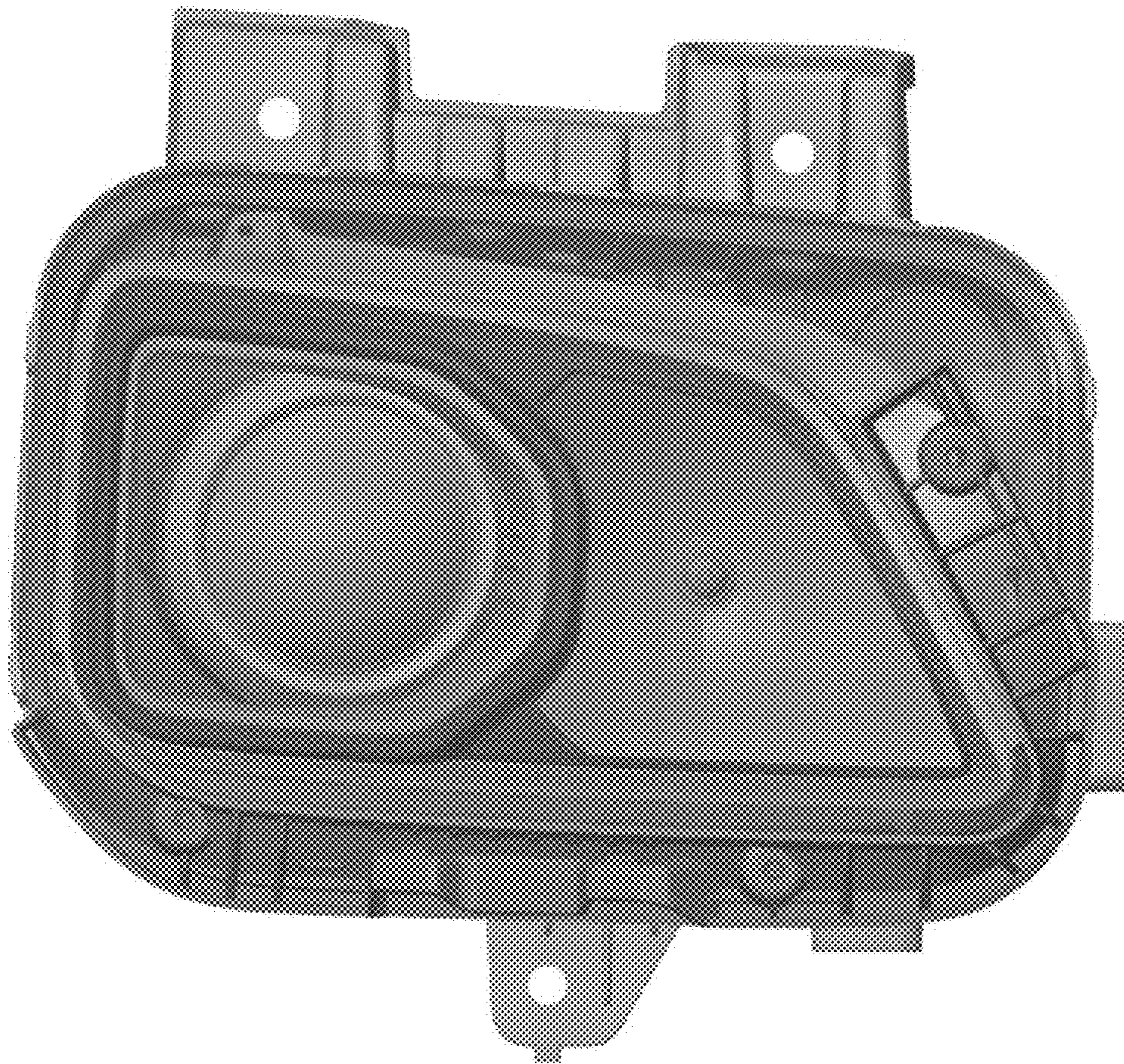


1.1



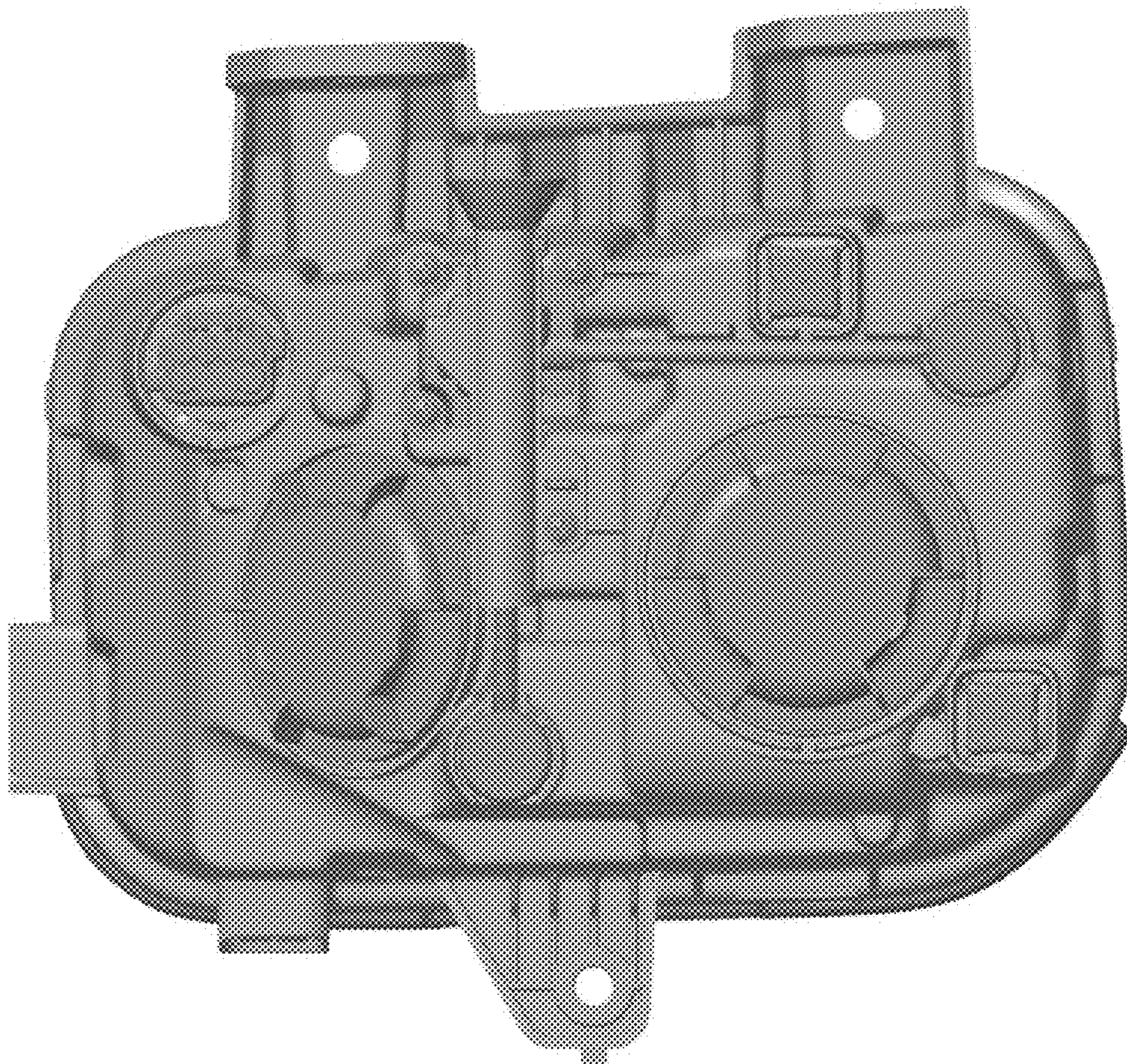


1.2



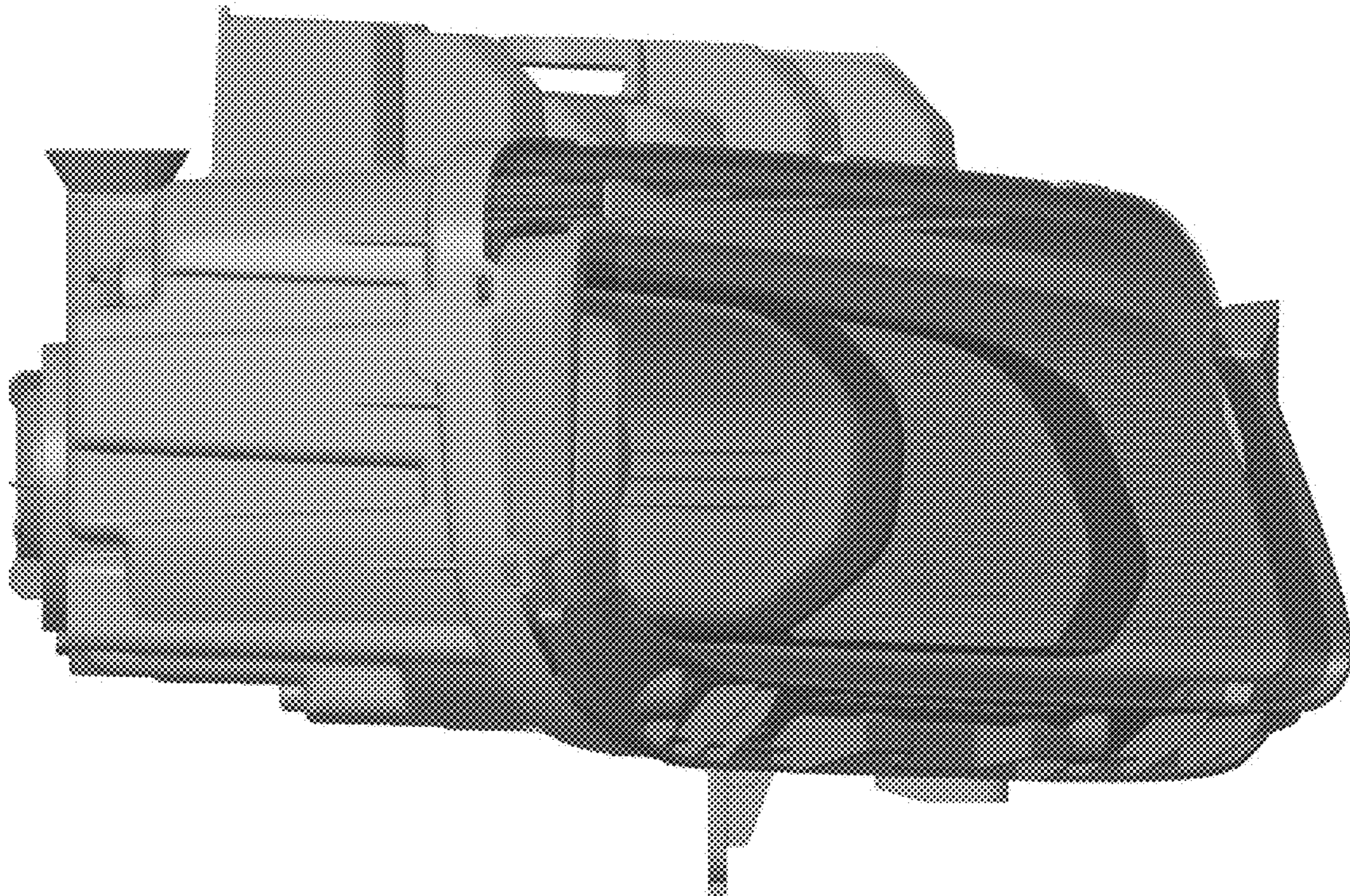


1.3



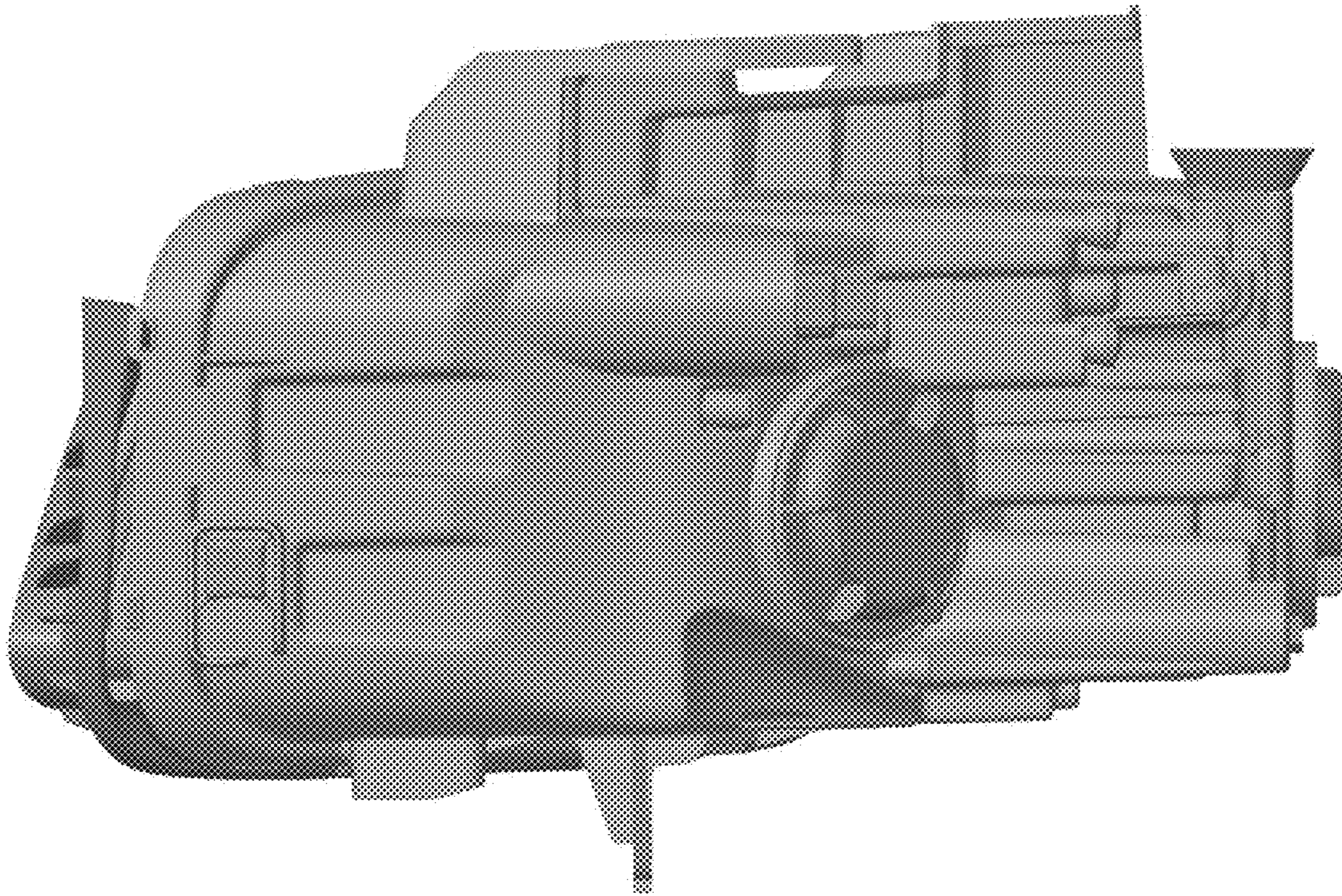


1.4



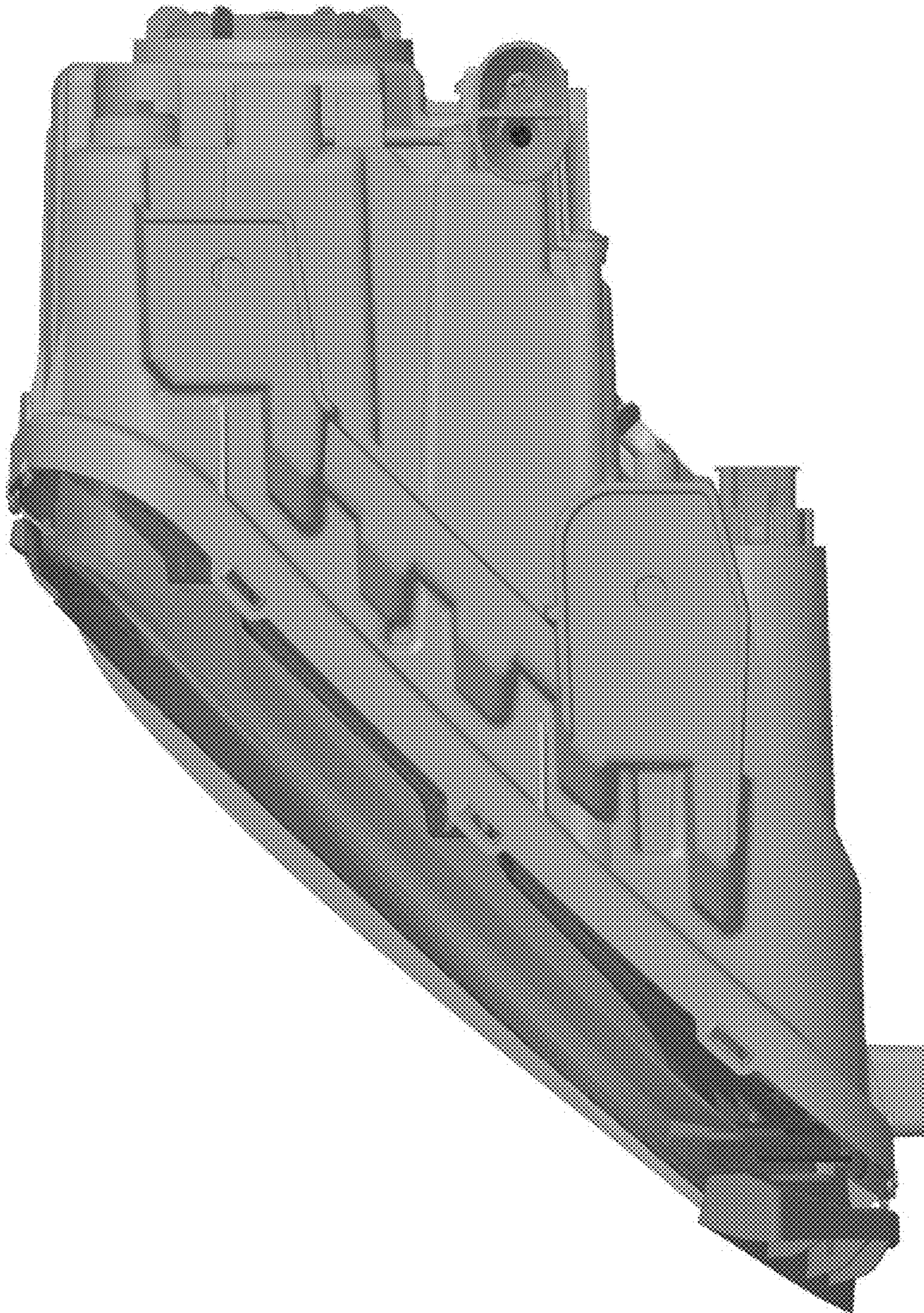


1.5





1.6





1.7

