



US00D834223S

(12) **United States Design Patent** (10) **Patent No.:** **US D834,223 S**
Werner et al. (45) **Date of Patent:** **** Nov. 20, 2018**

(54) **TAIL LIGHT FOR AN AUTOMOBILE**

(71) Applicant: **VOLKSWAGEN AKTIENGESELLSCHAFT**,
Wolfsburg (DE)

(72) Inventors: **Michael Werner**, Wolfsburg (DE);
Carsten Woywood, Wolfsburg (DE);
Jan Peter Kramer, Wolfsburg (DE)

(73) Assignee: **VOLKSWAGEN AKTIENGESELLSCHAFT**,
Wolfsburg (DE)

(**) Term: **15 Years**

(21) Appl. No.: **29/597,593**

(22) Filed: **Mar. 17, 2017**

(30) **Foreign Application Priority Data**

Oct. 27, 2016 (WO) 1189901

(51) **LOC (11) Cl.** **26-06**

(52) **U.S. Cl.**
USPC **D26/28**

(58) **Field of Classification Search**
USPC D26/28-36
CPC F21S 48/00; F21S 48/10; F21S 48/115;
F21S 48/225; F21S 48/1233; F21S
48/1266; F21S 48/1388; F21S 48/2268;
F21V 21/04; B60Q 9/13; B60Q 9/135;
B60Q 9/1375

See application file for complete search history.

(56) **References Cited**

U.S. PATENT DOCUMENTS

D544,114 S * 6/2007 Ohta D26/28
D728,137 S * 4/2015 Ha D26/28
D746,497 S * 12/2015 Behmer D26/28

* cited by examiner

Primary Examiner — Marcus A Jackson

(74) *Attorney, Agent, or Firm* — Lucas & Mercanti, LLP;
Klaus P. Stoffel

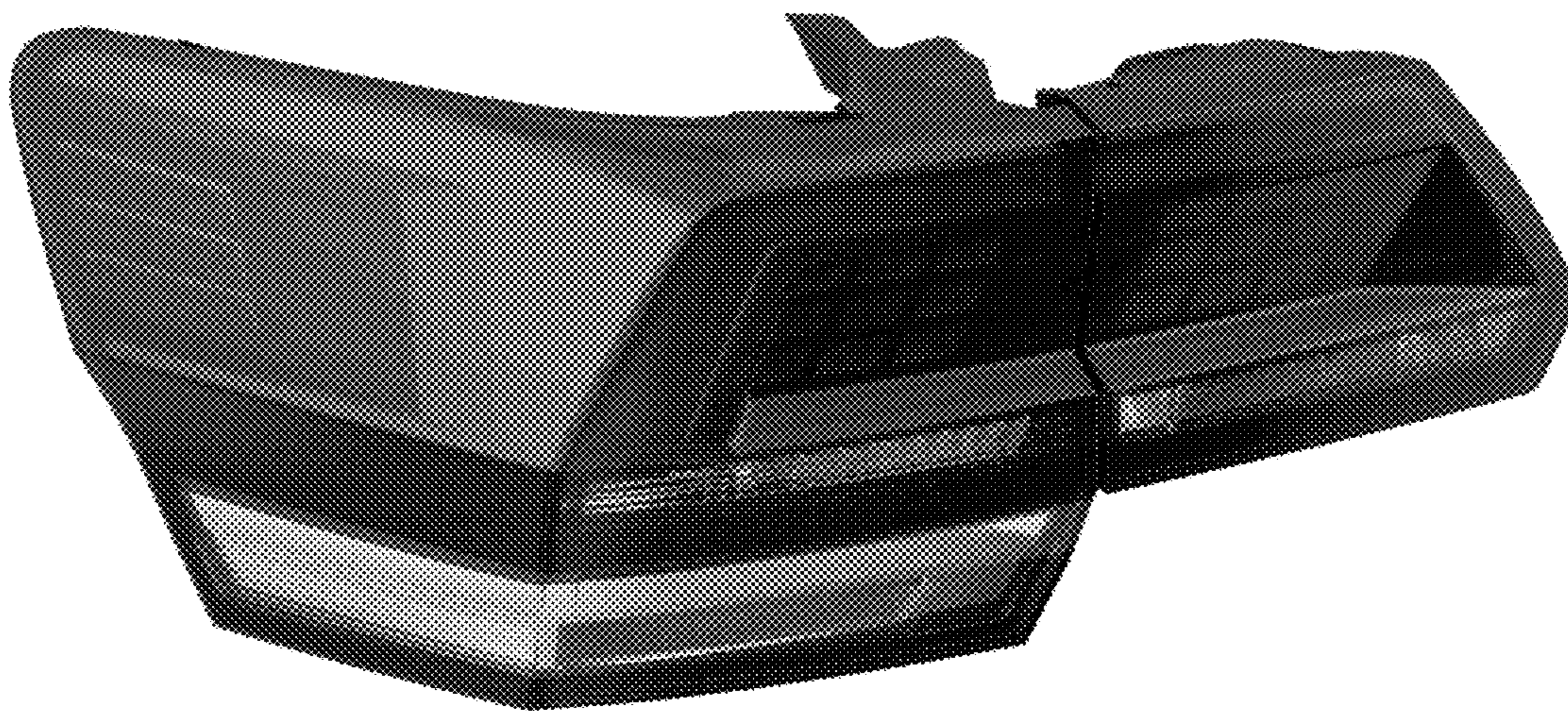
(57) **CLAIM**

The ornamental design for tail light for an automobile, as shown and described.

DESCRIPTION

FIG. 1 is a front view of the tail light for an automobile of the present invention for one side of a vehicle;
FIG. 2 is a left side view thereof;
FIG. 3 is a front, left side perspective view thereof;
FIG. 4 is a top perspective view thereof;
FIG. 5 is a front right perspective view the tail light for an automobile from the opposite side thereof;
FIG. 6 is a front, right side perspective view thereof;
FIG. 7 is a right side view thereof; and,
FIG. 8 is a top perspective view thereof.

1 Claim, 6 Drawing Sheets



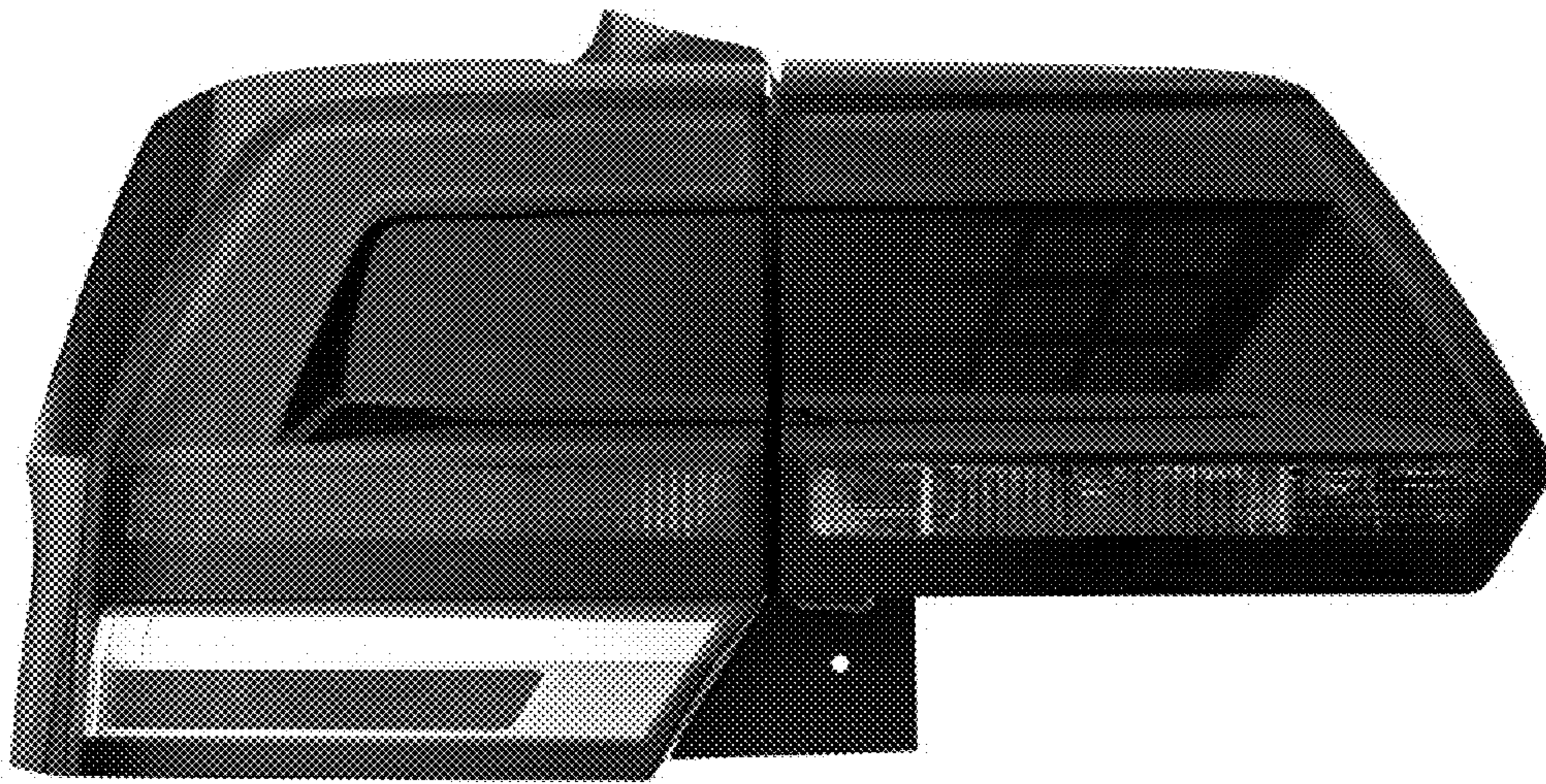


Fig. 1

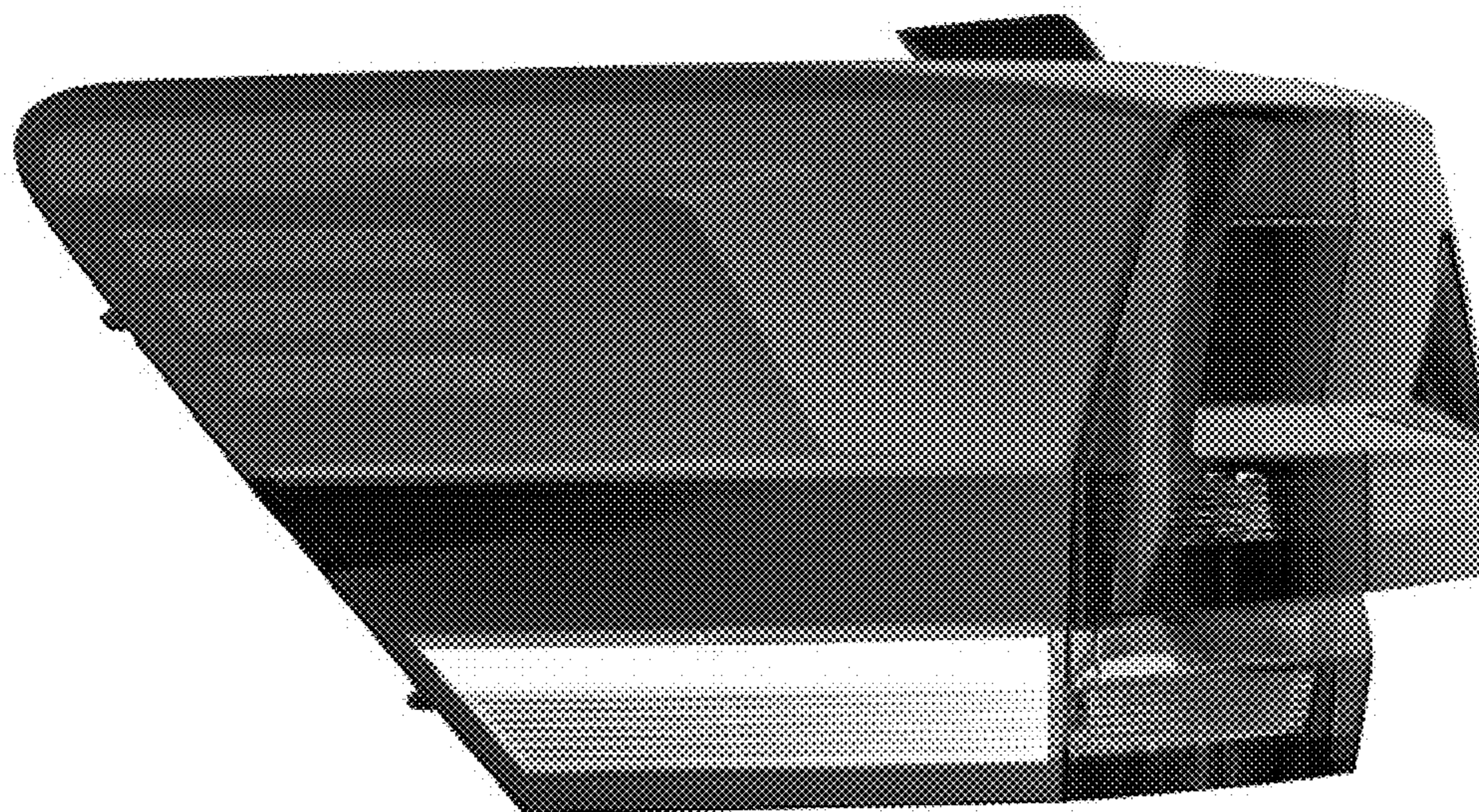


Fig. 2

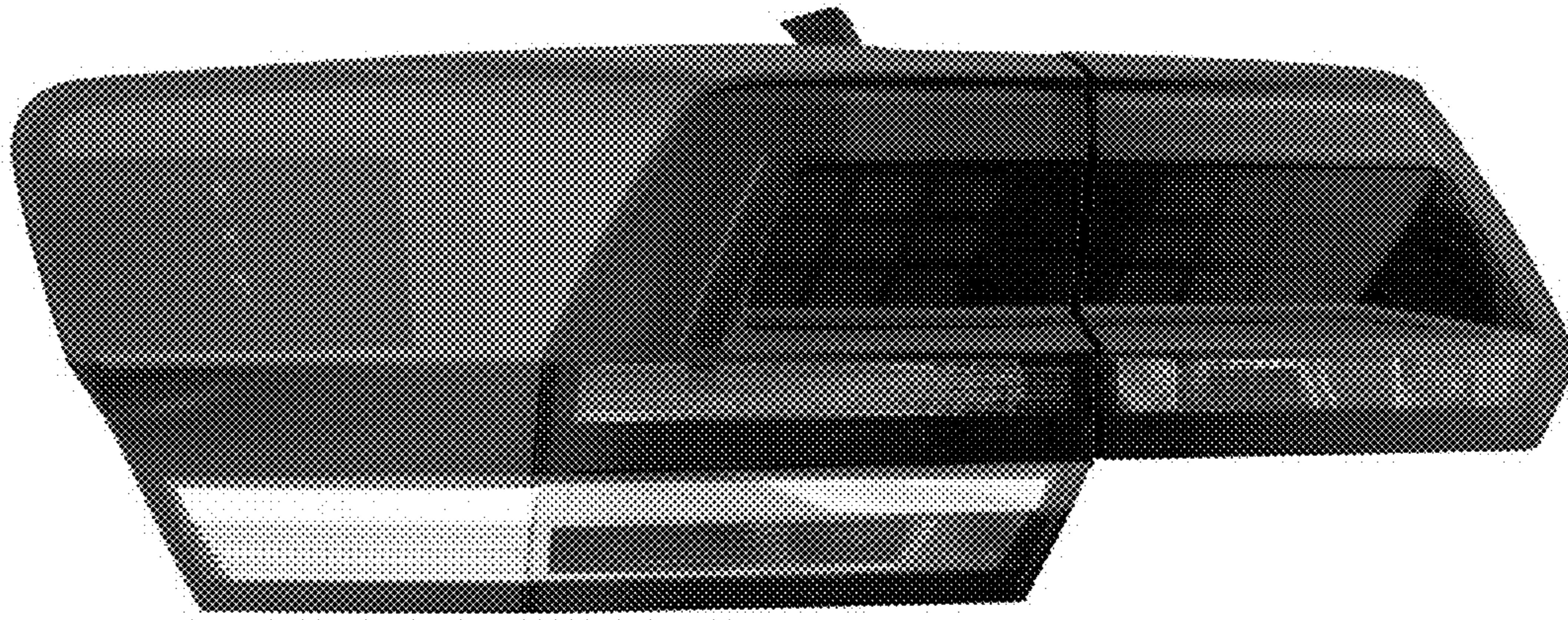


Fig. 3

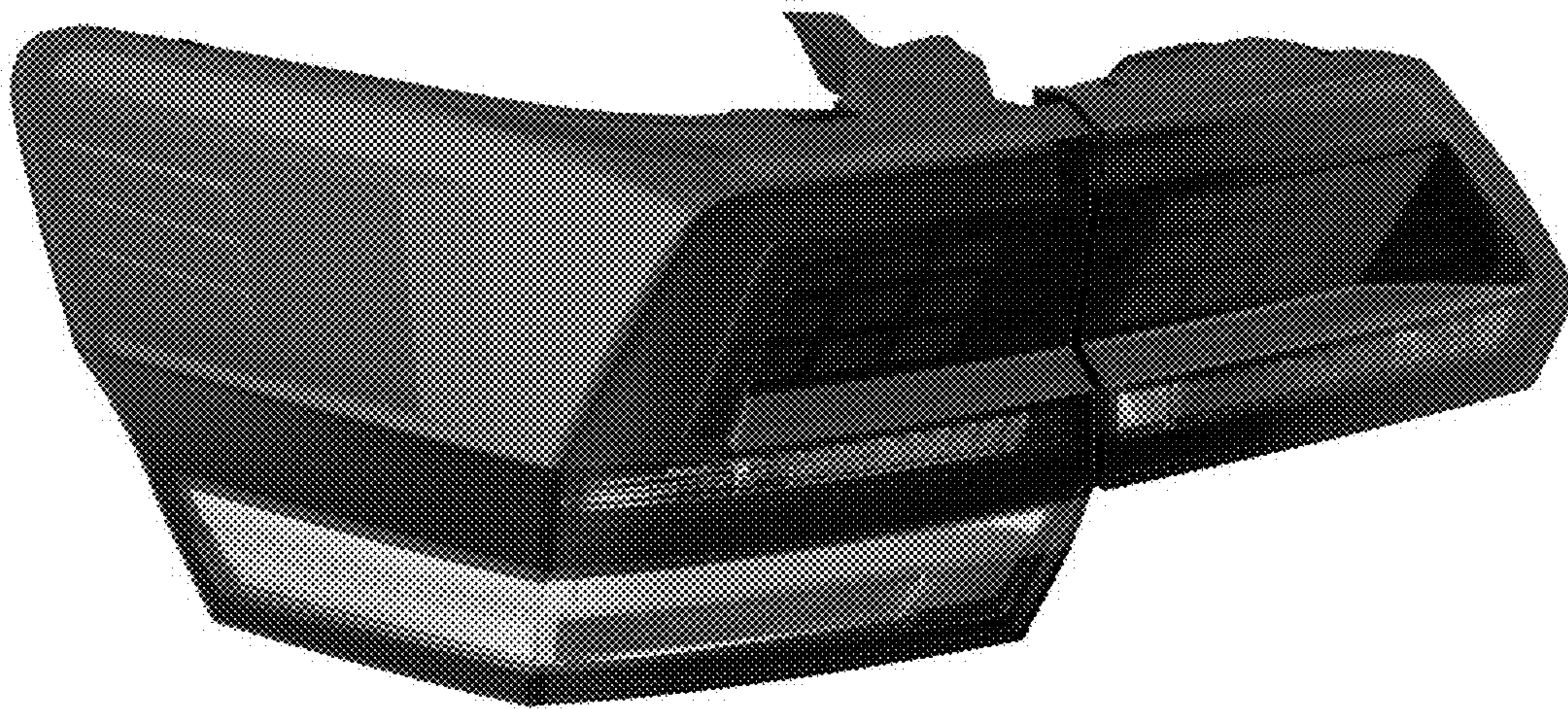


Fig. 4

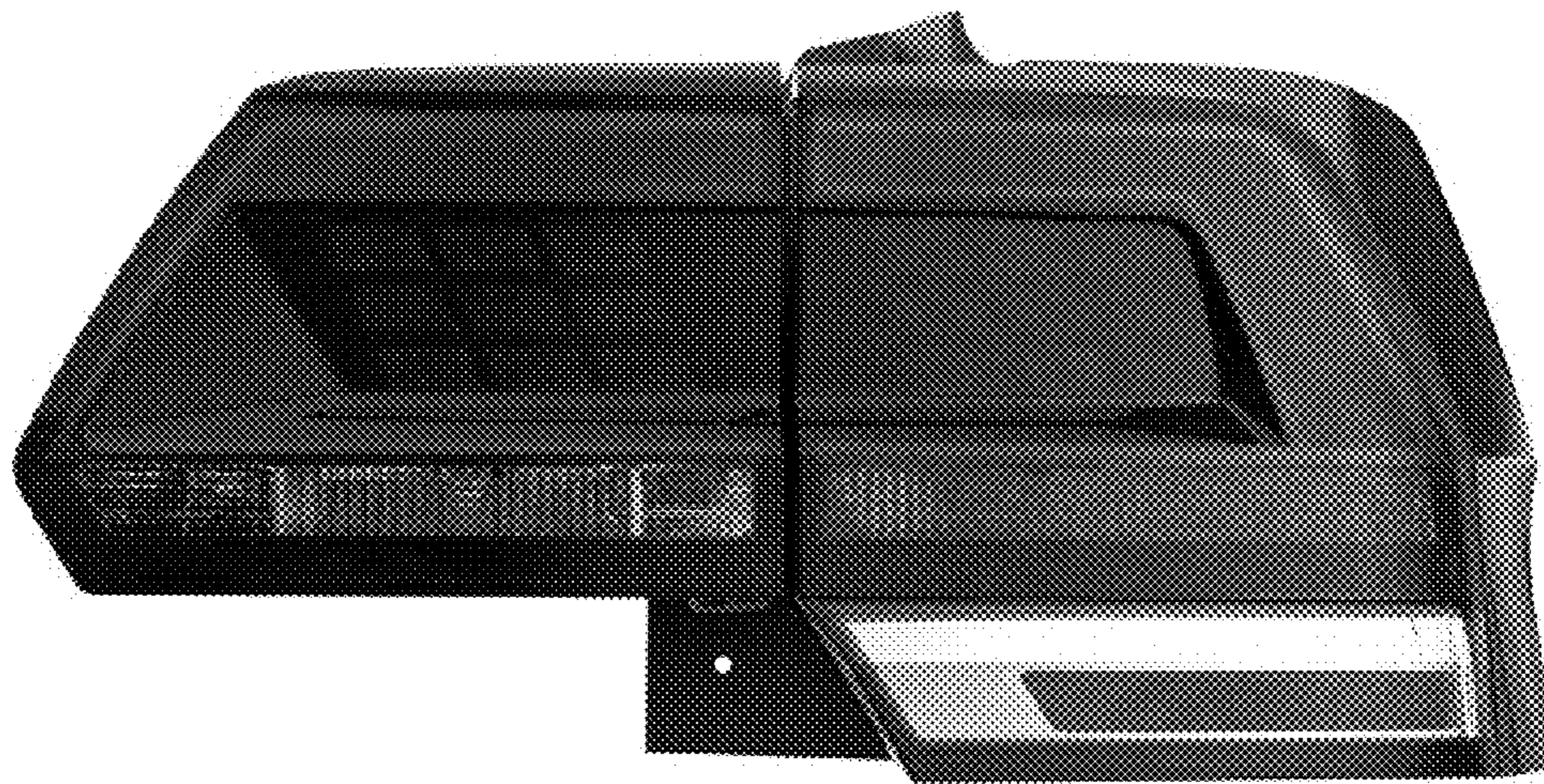


Fig. 5

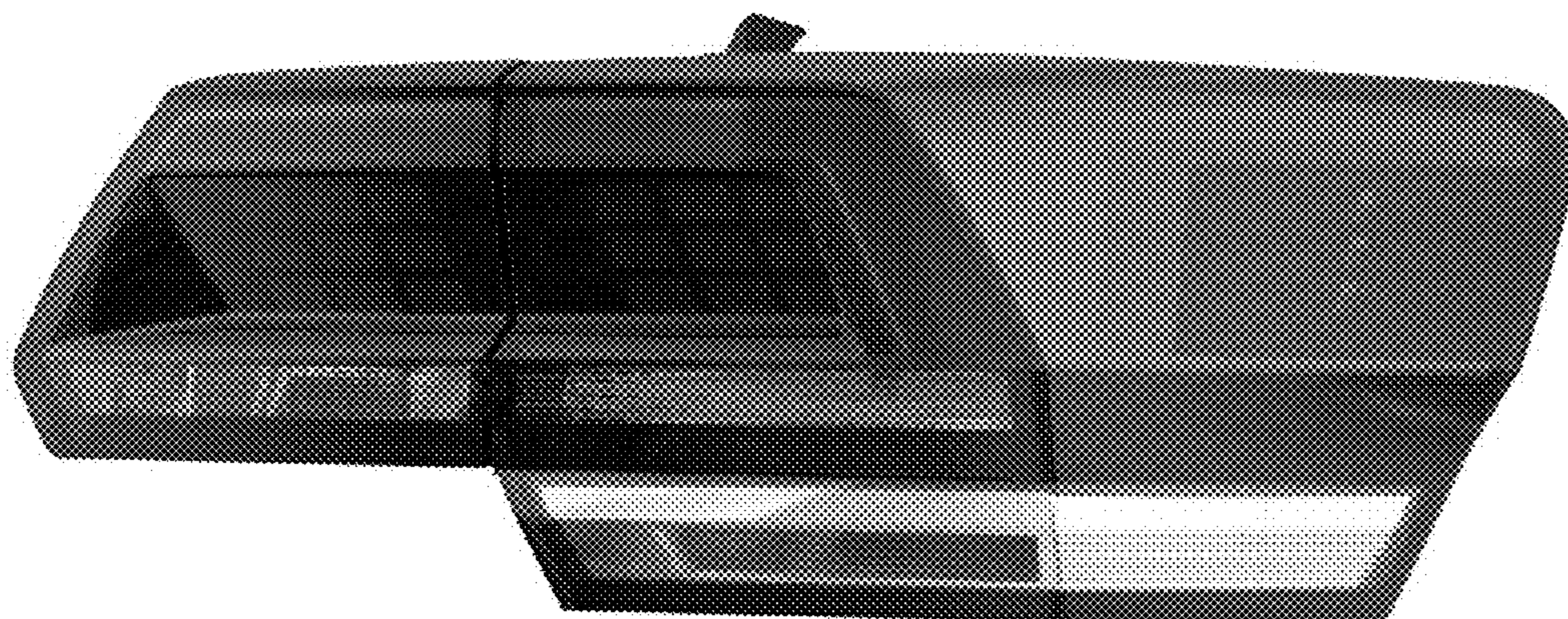


Fig. 6

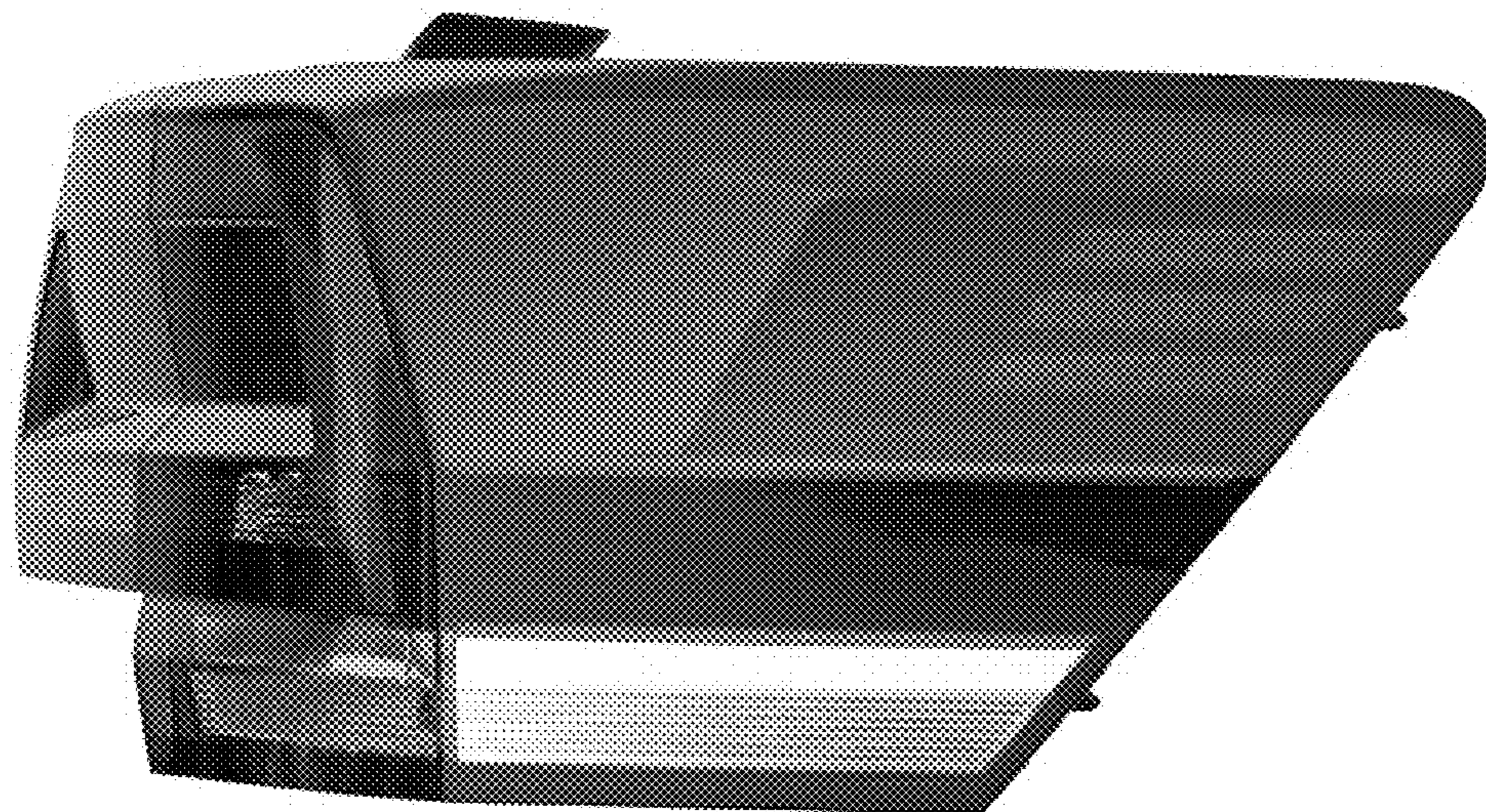


Fig. 7

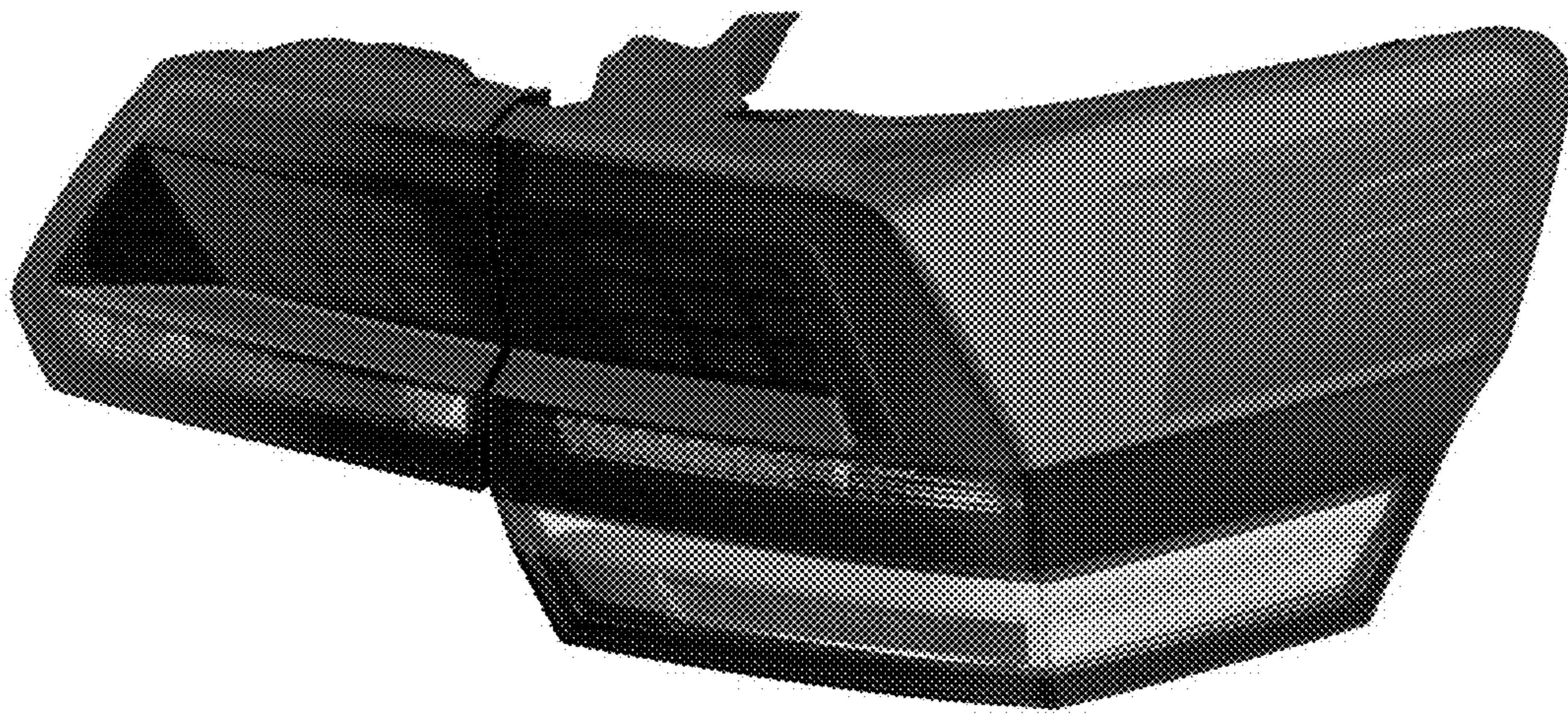


Fig. 8