



US00D834219S

(12) **United States Design Patent** (10) **Patent No.:** **US D834,219 S**
Pilja (45) **Date of Patent:** **** Nov. 20, 2018**

(54) **NEWEL POST SUPPORT** 7,048,462 B2 * 5/2006 Lanphier E04F 11/1812
256/65.14
(71) Applicant: **Maks Products Pty Ltd**, Beverley 7,421,824 B1 9/2008 Green
(AU) 7,677,522 B2 * 3/2010 Bakos E02D 27/42
248/354.1

(72) Inventor: **Milan Pilja**, Woodville West (AU)

(Continued)

(73) Assignee: **Maks Products Pty Ltd**, Beverly (AU)

FOREIGN PATENT DOCUMENTS

(**) Term: **15 Years**

AU 2009100469 A4 6/2009
AU 2005244596 C1 5/2010

(Continued)

(21) Appl. No.: **29/599,293**

OTHER PUBLICATIONS

(22) Filed: **Mar. 31, 2017**

<http://zipbolt.com.au/author/milan/> Posted Sep. 20, 2017 (Year: 2017).*

(51) **LOC (11) Cl.** **25-01**

(Continued)

(52) **U.S. Cl.**
USPC **D25/133**

(58) **Field of Classification Search**
USPC D8/349, 354, 373, 387, 388; D25/48.2,
D25/133, 135
CPC E02D 5/223; E02D 5/526; E02D 7/02;
E04C 5/125; E04H 2017/006; E04H
12/2261; E04F 11/181; E04F 11/1812;
E04F 11/1848
See application file for complete search history.

Primary Examiner — Susan Bennett Hattan
Assistant Examiner — Leanne Was-Englehart
(74) *Attorney, Agent, or Firm* — Seed IP Law Group LLP

(57) **CLAIM**

The ornamental design for a newel post support, substantially as shown and described.

DESCRIPTION

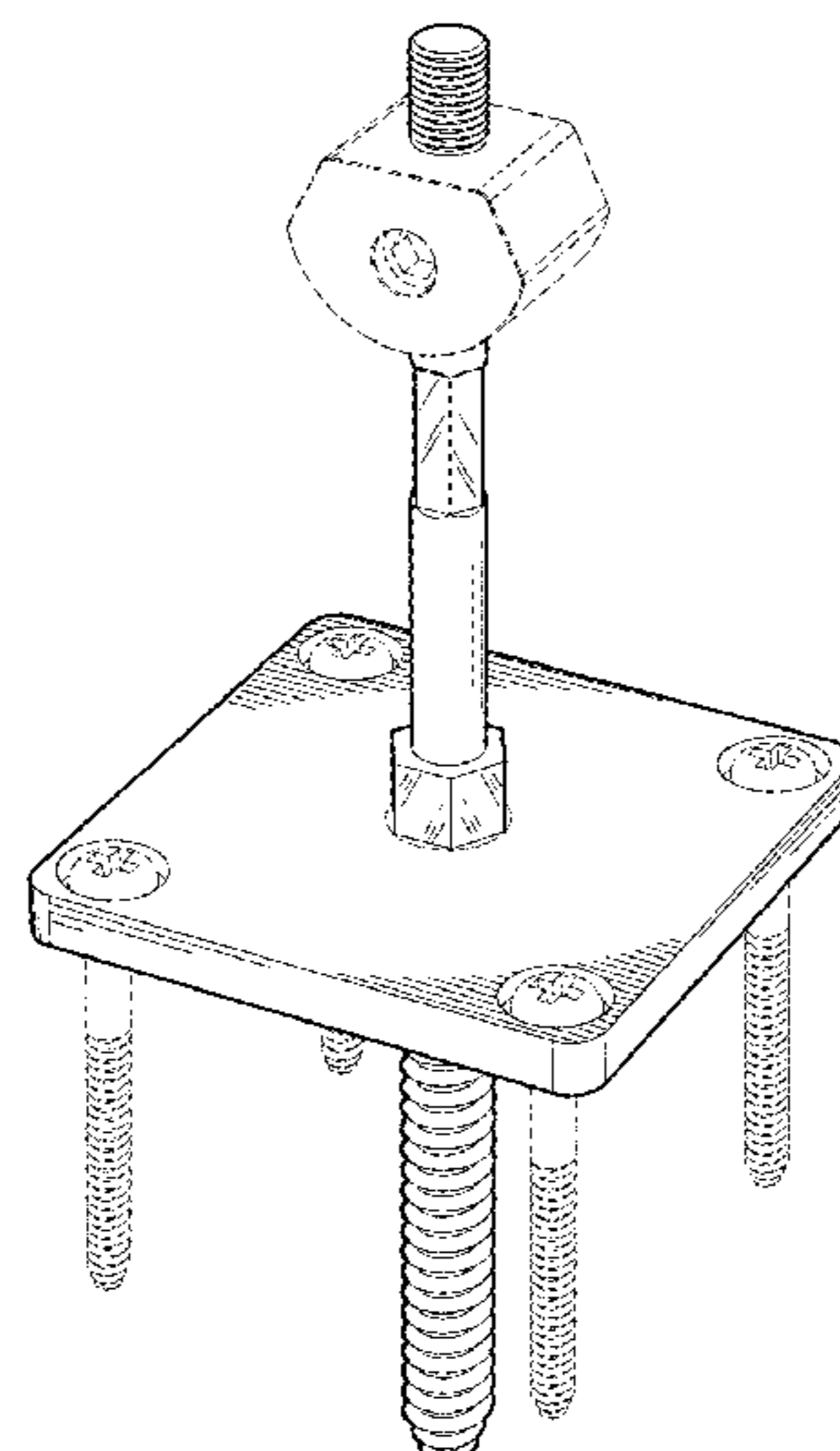
FIG. 1 is a top isometric view of a newel post support, showing my new design.
FIG. 2 is a bottom isometric view thereof.
FIG. 3 is a front elevational view thereof.
FIG. 4 is a rear elevational view thereof.
FIG. 5 is a left side elevational view thereof.
FIG. 6 is a right side elevational view thereof.
FIG. 7 is a top plan view thereof; and,
FIG. 8 is a bottom plan view thereof.
Stippling and tangency lines in the drawings represent the three-dimensional contours of the design, and are not intended to indicate surface decoration. The broken lines in the drawings depict portions of the newel post support that form no part of the claimed design.

(56) **References Cited**

U.S. PATENT DOCUMENTS

D20,681 S * 4/1891 Hutchins D25/133
5,095,668 A 3/1992 O'Brien et al.
5,309,687 A * 5/1994 Walston E04F 11/02
182/82
5,771,646 A * 6/1998 DeSouza E04F 11/1812
248/300
6,015,138 A 1/2000 Kohlberger et al.
6,141,928 A * 11/2000 Platt E04F 11/1812
256/65.14
6,290,212 B1 9/2001 Bartel
6,715,242 B1 * 4/2004 Green E04F 11/1812
403/10

1 Claim, 4 Drawing Sheets



(56)

References Cited

U.S. PATENT DOCUMENTS

D629,678 S * 12/2010 Norton D25/133
D637,894 S * 5/2011 Maurer D8/373
D667,297 S * 9/2012 McLaughlin D25/133
D671,397 S * 11/2012 McLaughlin D25/133
D754,880 S * 4/2016 Reusing D25/133
D806,904 S * 1/2018 DeBellis D25/126
9,863,114 B2 * 1/2018 Kaufman E02D 5/526
2014/0356076 A1 * 12/2014 Hale E02D 5/223
405/255

FOREIGN PATENT DOCUMENTS

EM 000234828 * 12/2004
GB 3024510 * 7/2006
JP D1098935 * 1/2001
JP D1480447 * 9/2013
JP D1526856 * 6/2015

OTHER PUBLICATIONS

<http://zipboltonline.com.au/exterior-stair-hardware/the-xt-post-anchor-17-800.html> Retrieved Mar. 26, 2018 (Year: 2018).*

* cited by examiner

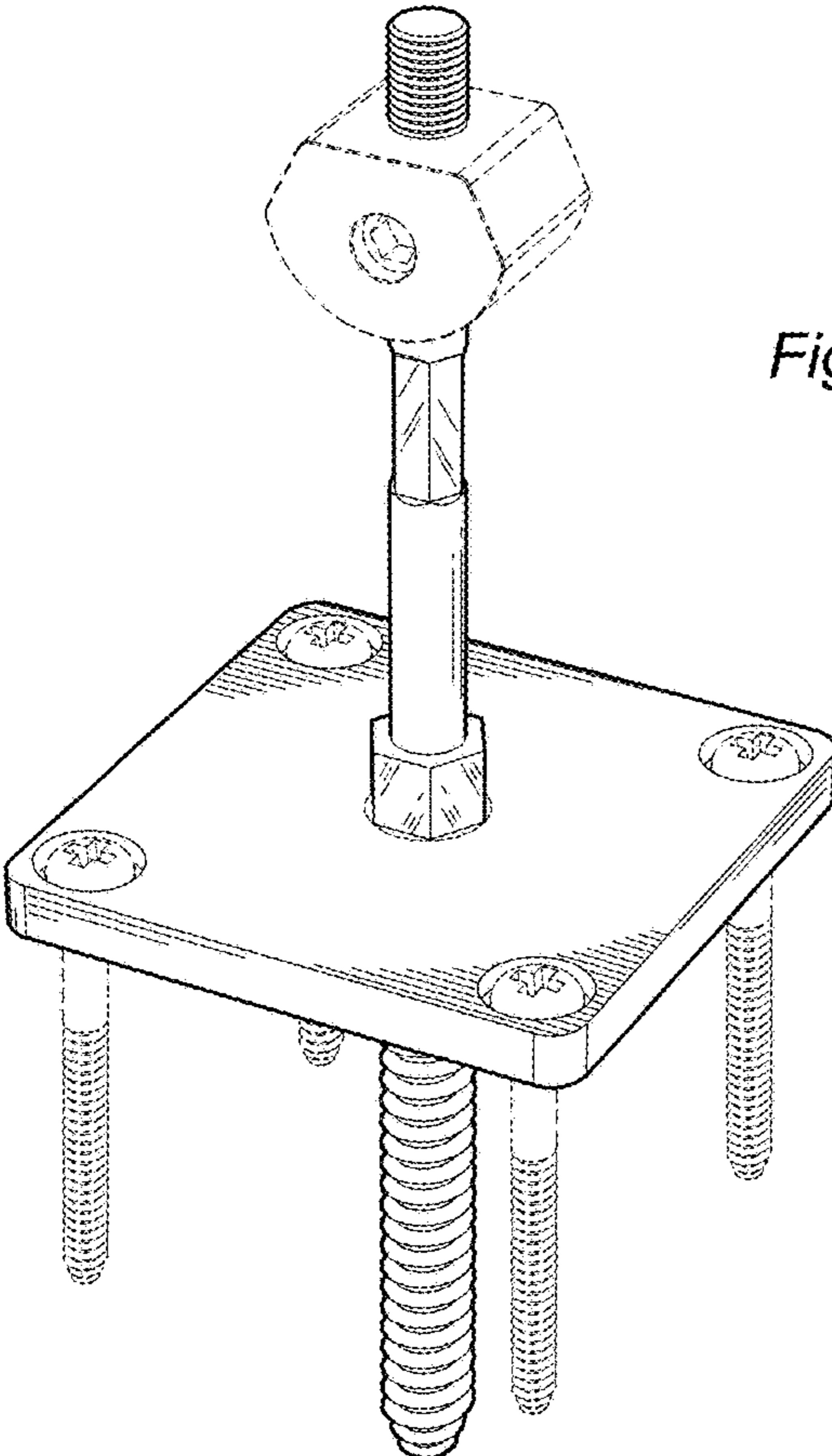


Fig. 1

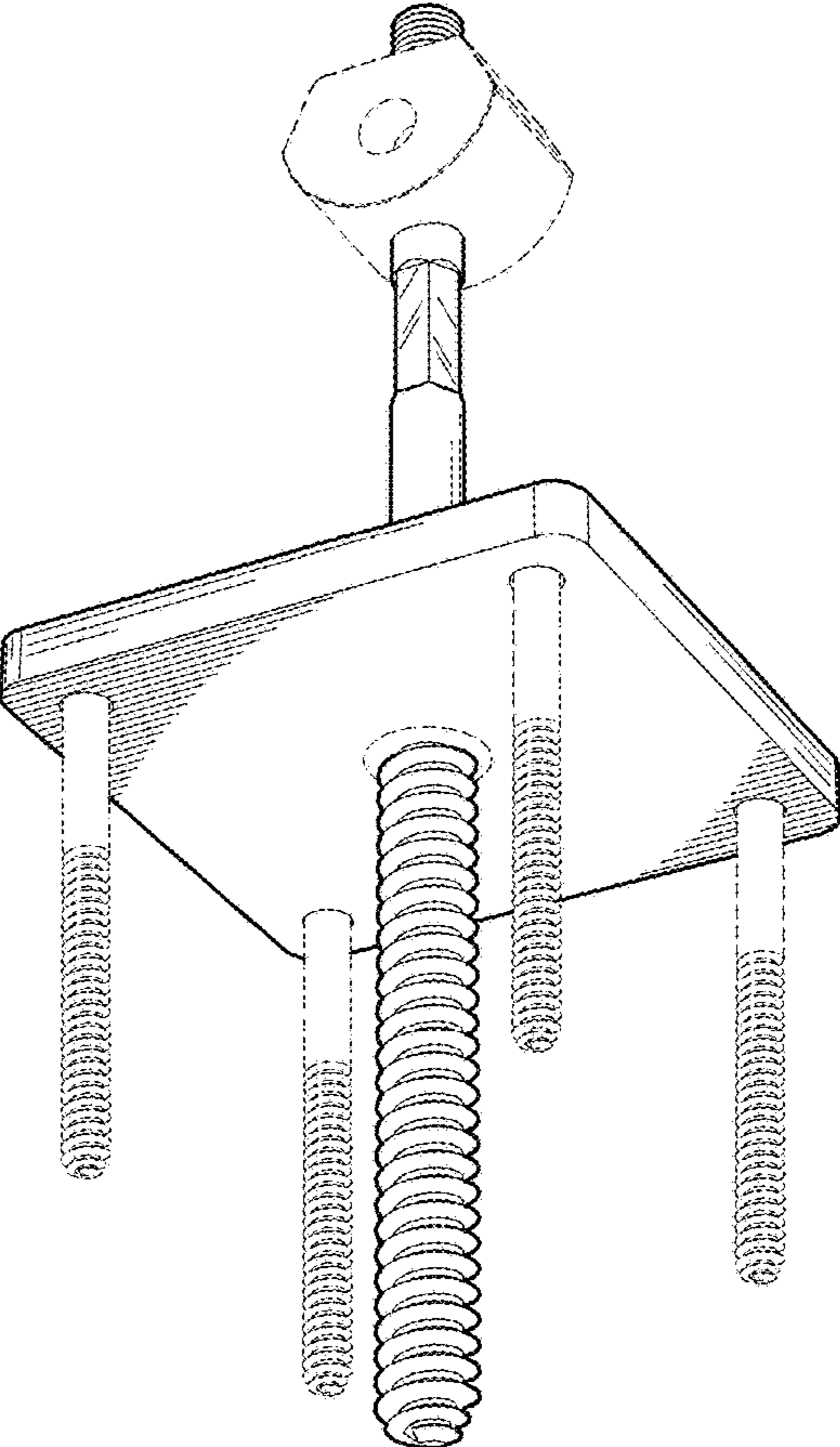


Fig. 2

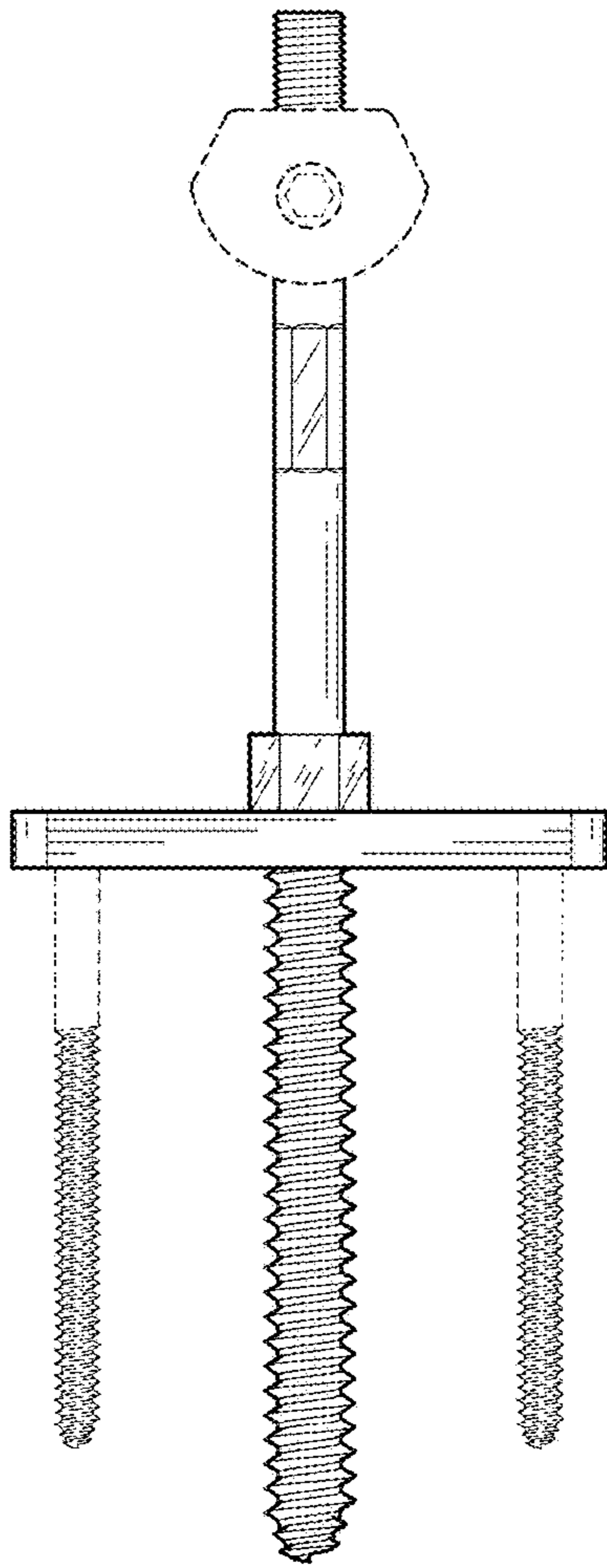


Fig. 3

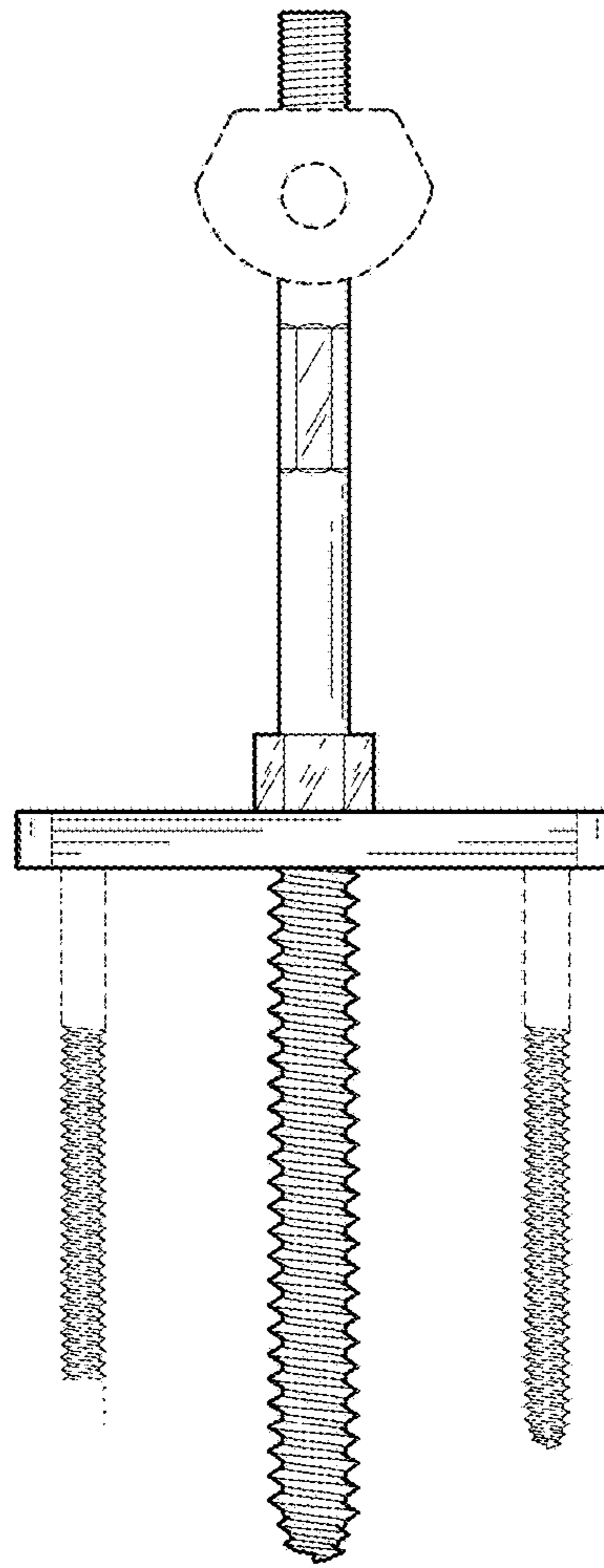


Fig. 4

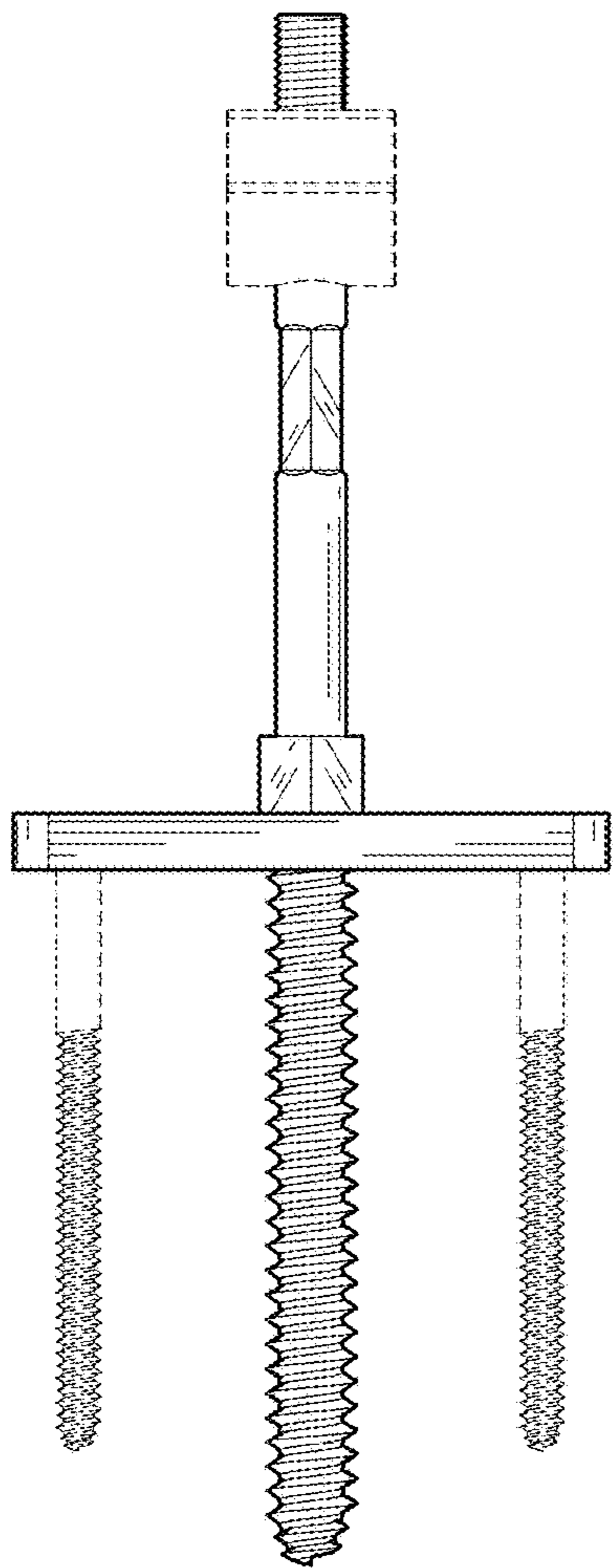


Fig. 5

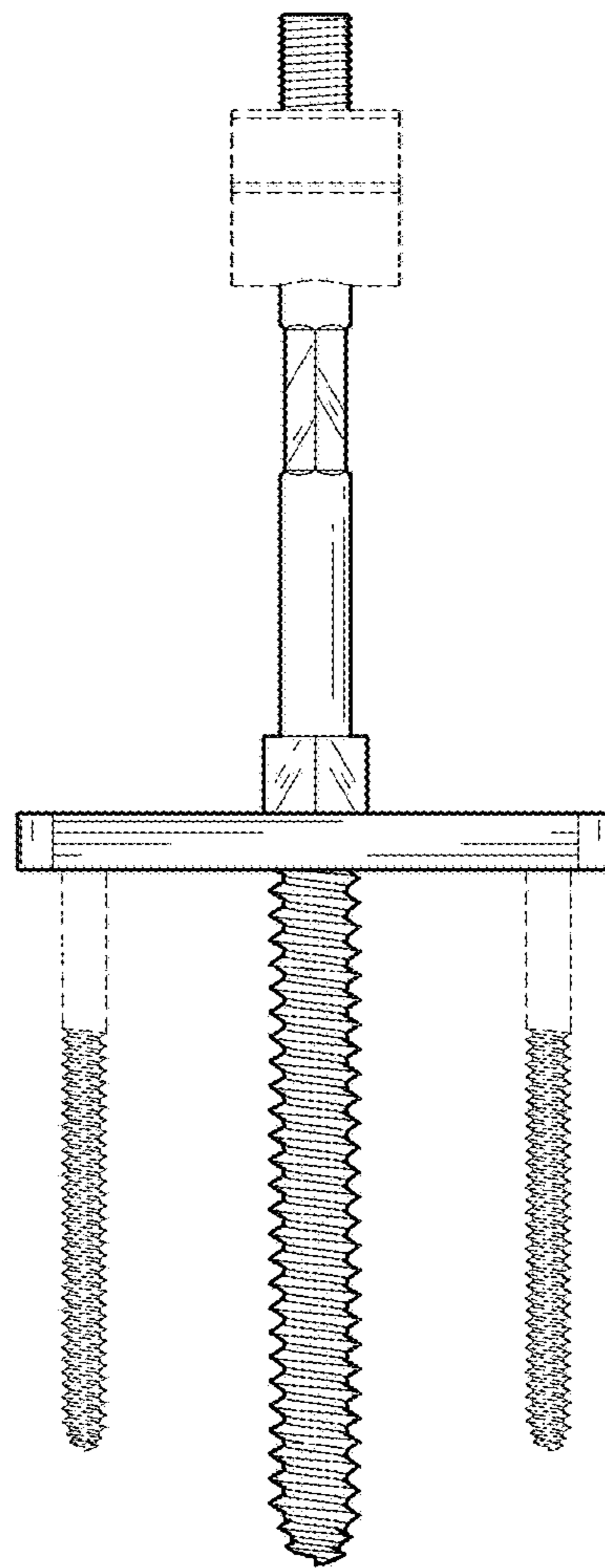


Fig. 6

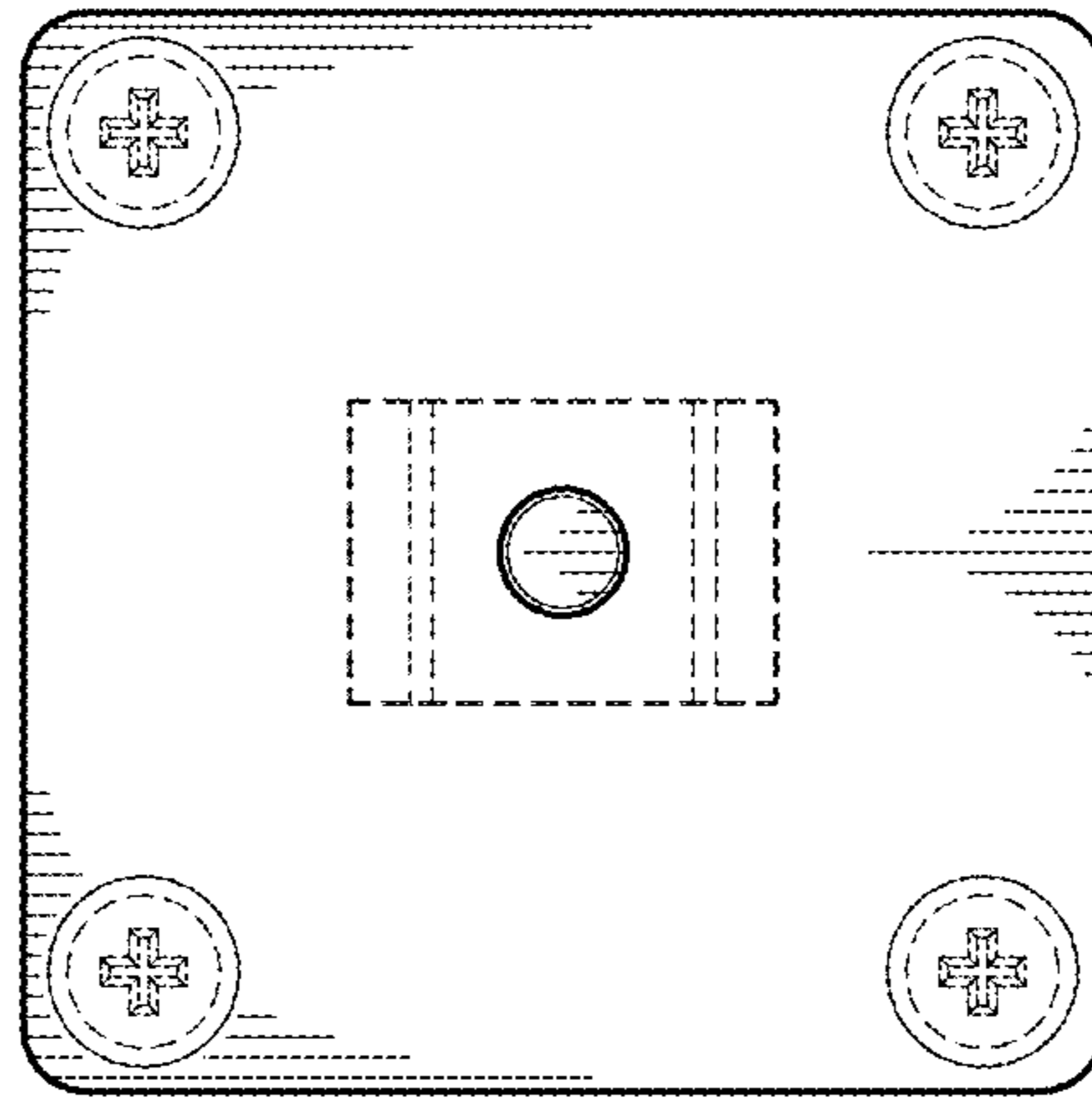


Fig. 7

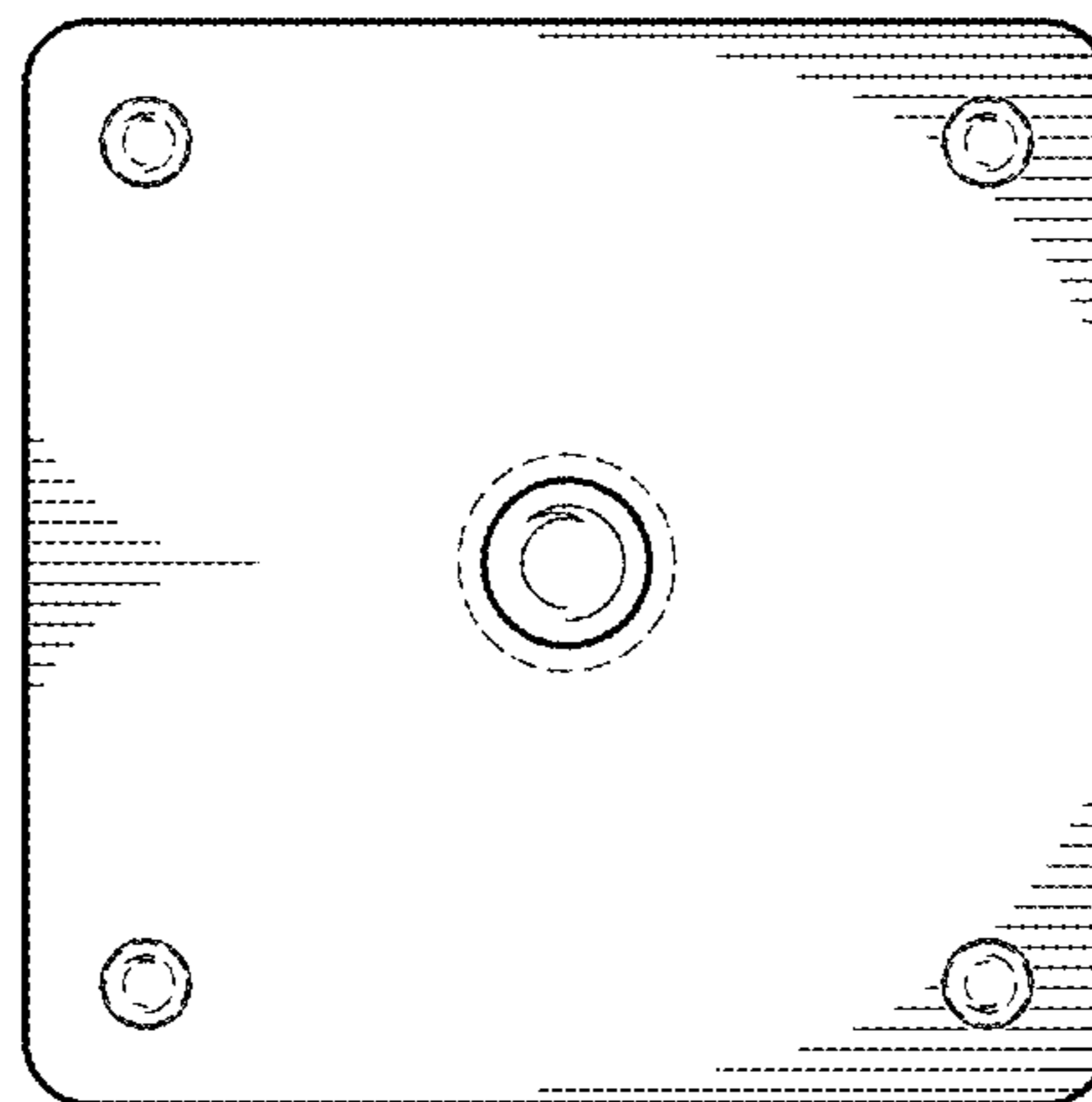


Fig. 8