



US00D834217S

(12) **United States Design Patent** (10) **Patent No.:** **US D834,217 S**
Lee (45) **Date of Patent:** **** Nov. 20, 2018**

(54) **VERTICAL FRAME FOR A WALL PANEL**

(71) Applicant: **Chung Jong Lee**, Seoul (KR)

(72) Inventor: **Chung Jong Lee**, Seoul (KR)

(**) Term: **15 Years**

(21) Appl. No.: **29/589,193**

(22) Filed: **Dec. 29, 2016**

(30) **Foreign Application Priority Data**

Jun. 30, 2016 (KR) 30-2016-0032061

(51) **LOC (11) Cl.** **25-01**

(52) **U.S. Cl.**
USPC **D25/124**

(58) **Field of Classification Search**

USPC D25/119–126, 131–137, 164, 199;
D12/223, 400; D34/35; D20/42–44;
D26/138; D8/349, 354, 376, 377, 378,
D8/380, 381; D6/702, 709, 712, 719

CPC ... E04C 3/00; E04C 3/005; E04C 3/02; E04C
3/04; E04C 3/12; E04C 3/20; E04C 3/28;
E04C 3/30; E04F 19/02; E04F 19/022;
E04F 19/026; E04F 19/028; E04F 19/04;
E04F 19/0436; E04F 19/0481; E04F
19/0486; E04F 19/06; E04F 19/061;
E06B 1/00; E06B 1/006; E06B 1/02;
E06B 1/04; E06B 1/045; E06B 1/12;
E06B 1/16; E06B 1/34; E06B 1/342;
E06B 1/345; E06B 1/347; E06B 1/36;
E06B 1/363; E06B 1/366; E06B 1/38;
E06B 1/40; E06B 1/52; E06B 1/522;
E06B 1/524; E06B 1/526; E06B 1/528;
E06B 1/56; E06B 1/60; E06B 1/6092;
E06B 1/62; E06B 1/70; E06B 1/702;
E06B 1/705; E06B 1/707; E04B 2/00;
E04B 2/74; E04B 2/76; E04B 2/761;
E04B 2/762; E04B 2/763; E04B 2/764;
E04B 2/765; E04B 2/7854; E04B 2/7863;
E04B 2/7872; E04B 2/7881; E04B 2/789;

E04B 2001/2436; E04B 2001/2439; E04B
2001/2442; E04B 2001/2445; E04B
2001/2448; E04B 2001/2451; E04B
2001/2454; E04B 2001/2457; E04B
2001/246; E04B 2001/2463

See application file for complete search history.

(56) **References Cited**

U.S. PATENT DOCUMENTS

D216,958	S	*	3/1970	Dallaire	D25/122
D219,730	S	*	1/1971	van den Broek	D25/125
D300,568	S	*	4/1989	Dallaire	D25/124
D301,626	S	*	6/1989	Dallaire	D25/124
D335,624	S	*	5/1993	Siener	D25/123
D345,222	S	*	3/1994	Hallsten	D25/125
D352,790	S	*	11/1994	Gullblom	D25/121
D364,235	S	*	11/1995	Caley	D25/122

(Continued)

Primary Examiner — Cynthia Ramirez

Assistant Examiner — L. Martinez-Rivera

(74) *Attorney, Agent, or Firm* — Novick, Kim & Lee,
PLLC; Jae Youn Kim

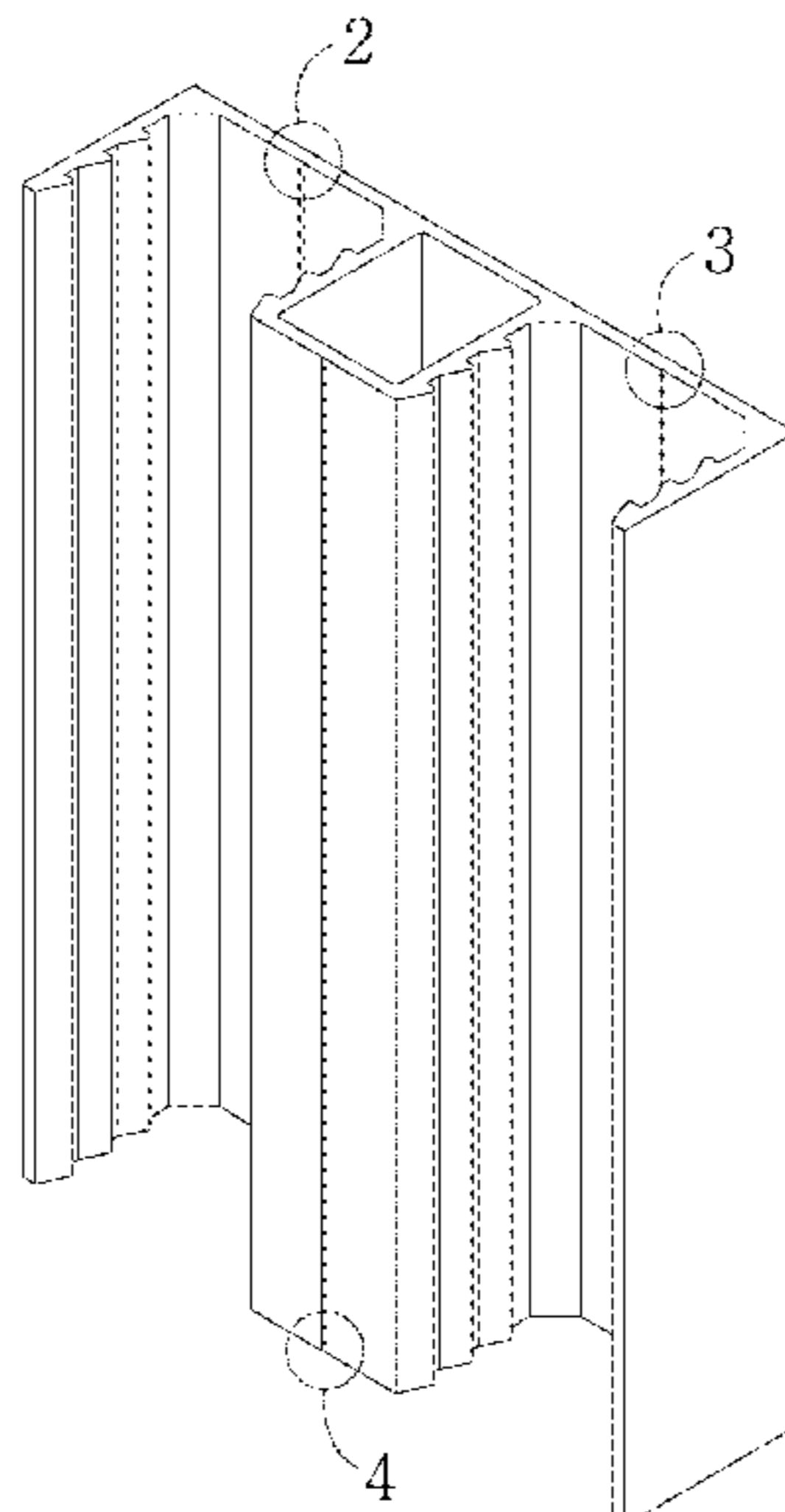
(57) **CLAIM**

The ornamental design for a vertical frame for a wall panel,
as shown and described.

DESCRIPTION

FIG. 1 is a perspective view of a vertical frame for a wall
panel showing my new design;
FIG. 2 is an enlarged view taken on circle 2 of FIG. 1;
FIG. 3 is an enlarged view taken on circle 3 of FIG. 1;
FIG. 4 is an enlarged view taken on circle 4 of FIG. 1;
FIG. 5 is a front elevation view thereof;
FIG. 6 is a rear elevation view thereof;
FIG. 7 is a left side view thereof;
FIG. 8 is a right side view thereof;
FIG. 9 is a top plan view thereof; and,
FIG. 10 is a bottom plan view thereof.

1 Claim, 6 Drawing Sheets



(56)

References Cited

U.S. PATENT DOCUMENTS

D368,315 S *	3/1996	Davies	D25/124
D376,434 S *	12/1996	DiGiorgio	D25/122
D376,754 S *	12/1996	Livingston	D25/125
D417,737 S *	12/1999	Stansfield	D25/121
D429,347 S *	8/2000	Doyle	D25/124
D583,071 S *	12/2008	Hull	D25/124
D623,342 S *	9/2010	Klu	D26/138
D788,947 S *	6/2017	Gilkey	D25/125
2013/0097934 A1 *	4/2013	Cook	E05D 15/0652 49/404

* cited by examiner

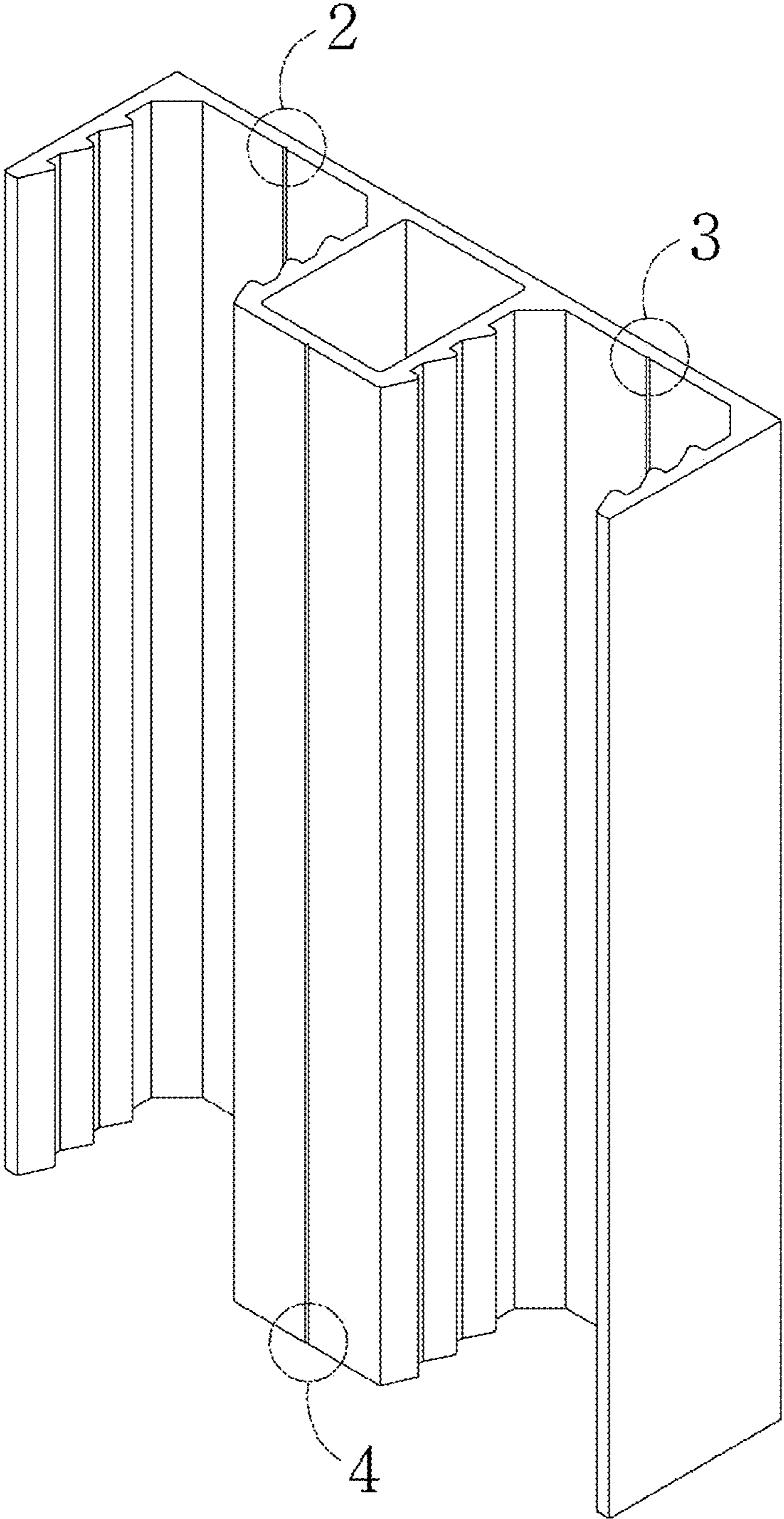


FIG. 1

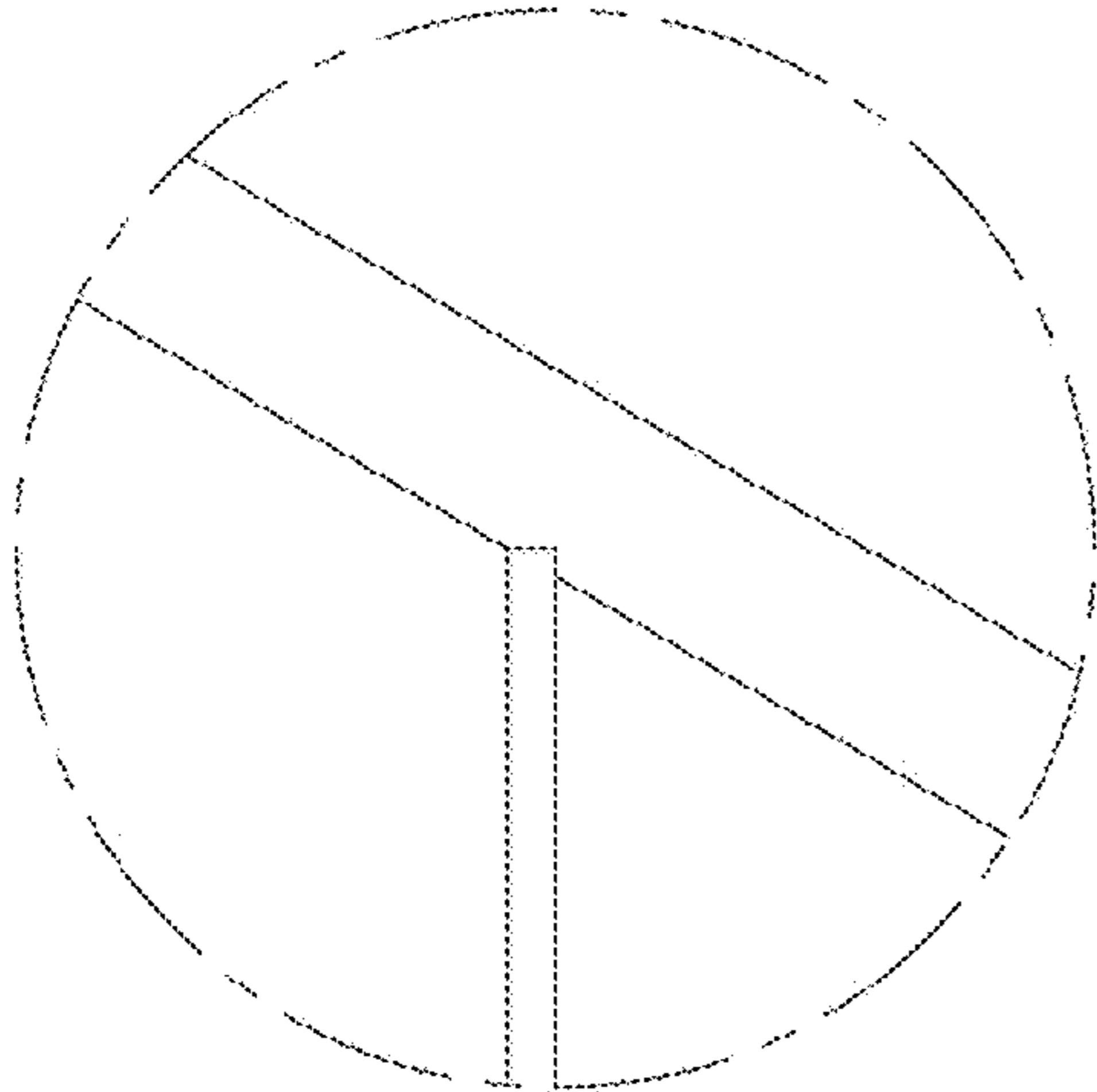


FIG. 2

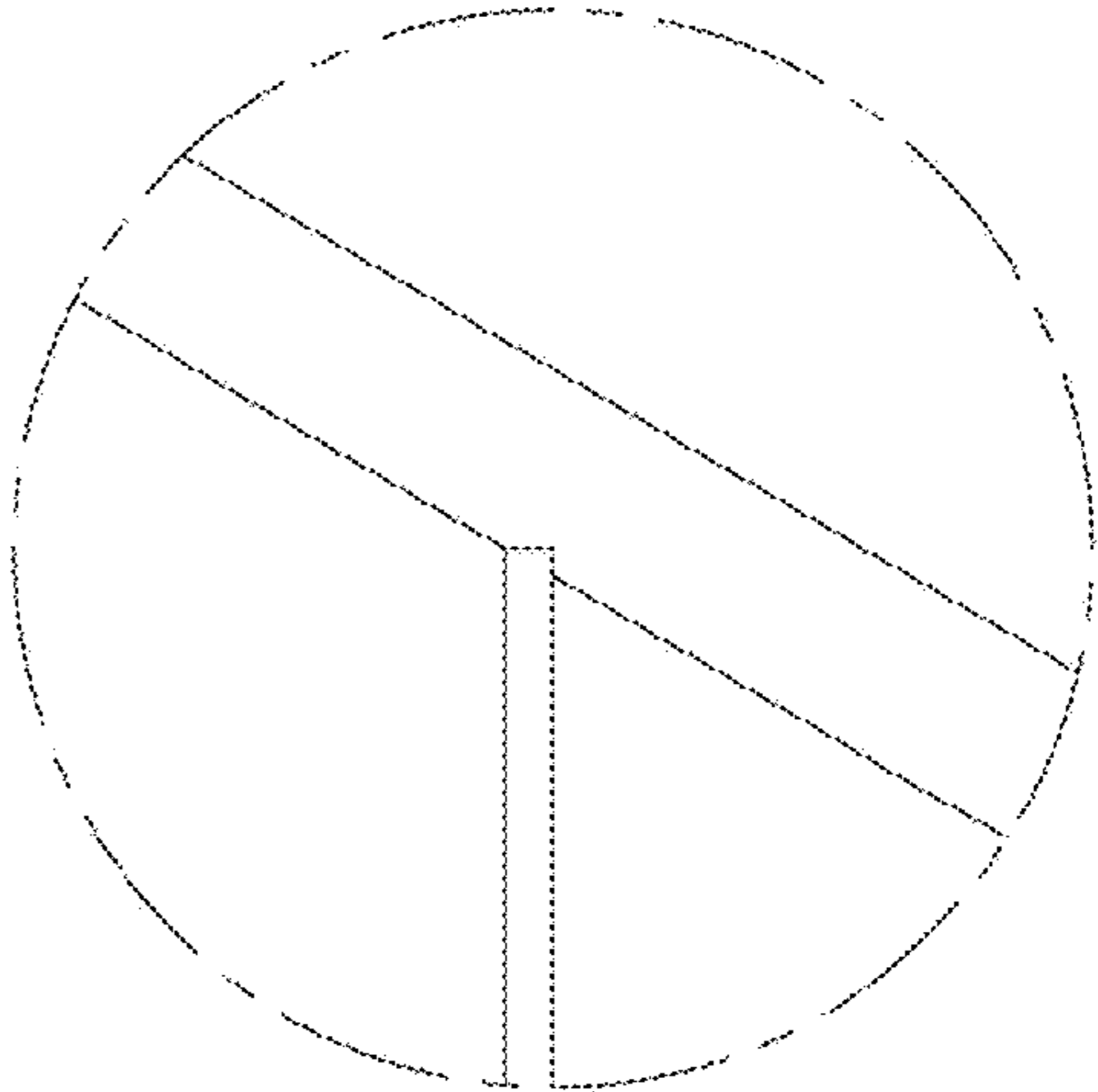


FIG. 3

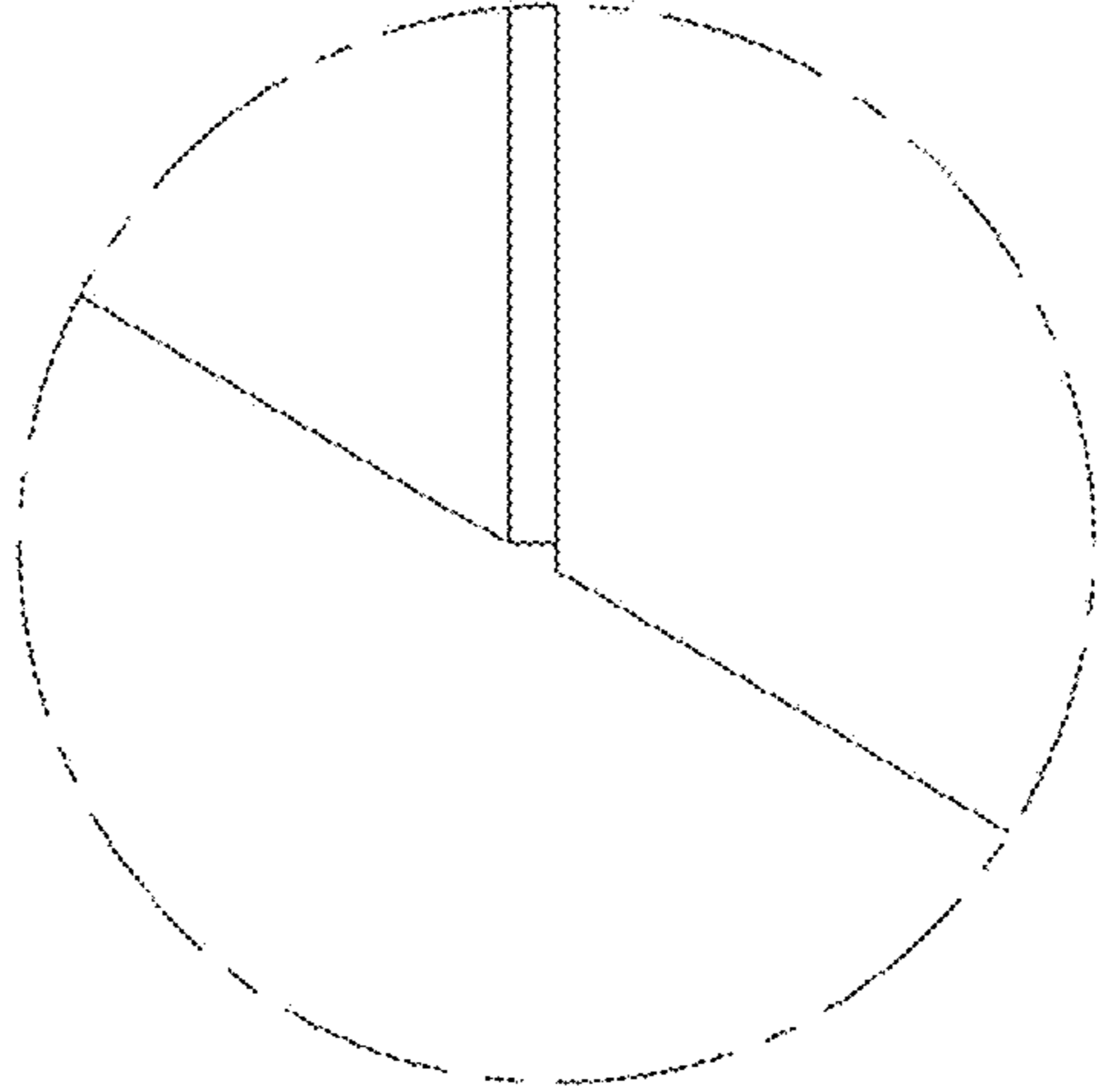


FIG. 4

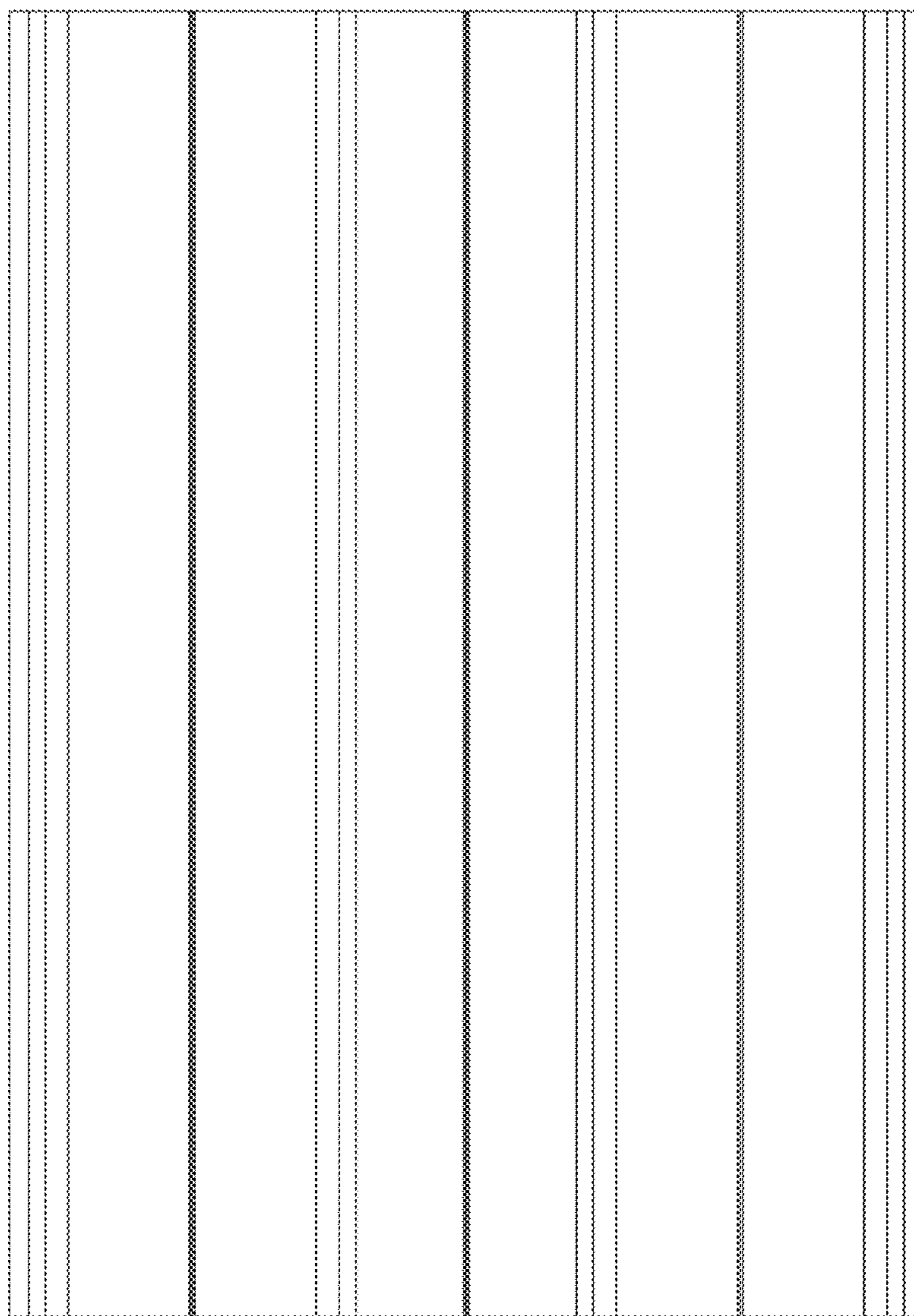


FIG. 5



FIG. 6

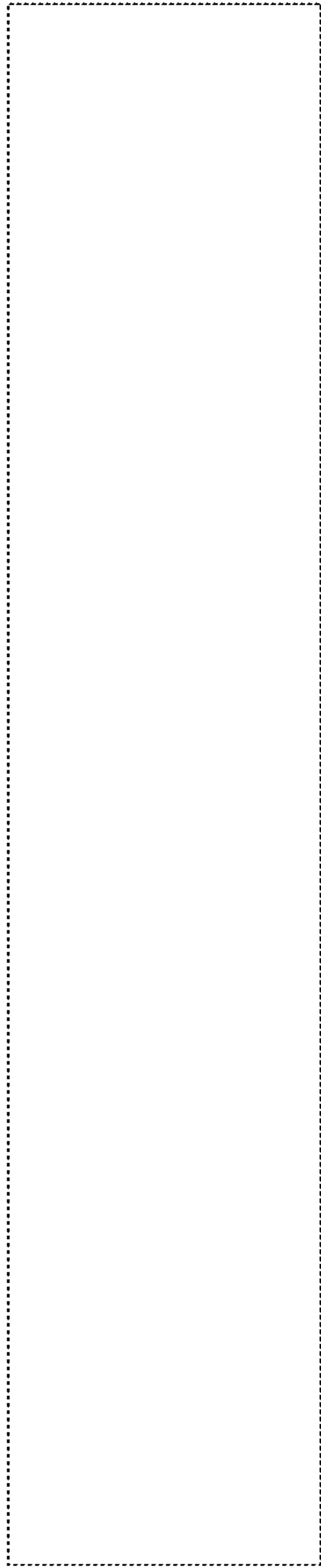


FIG. 7



FIG. 8

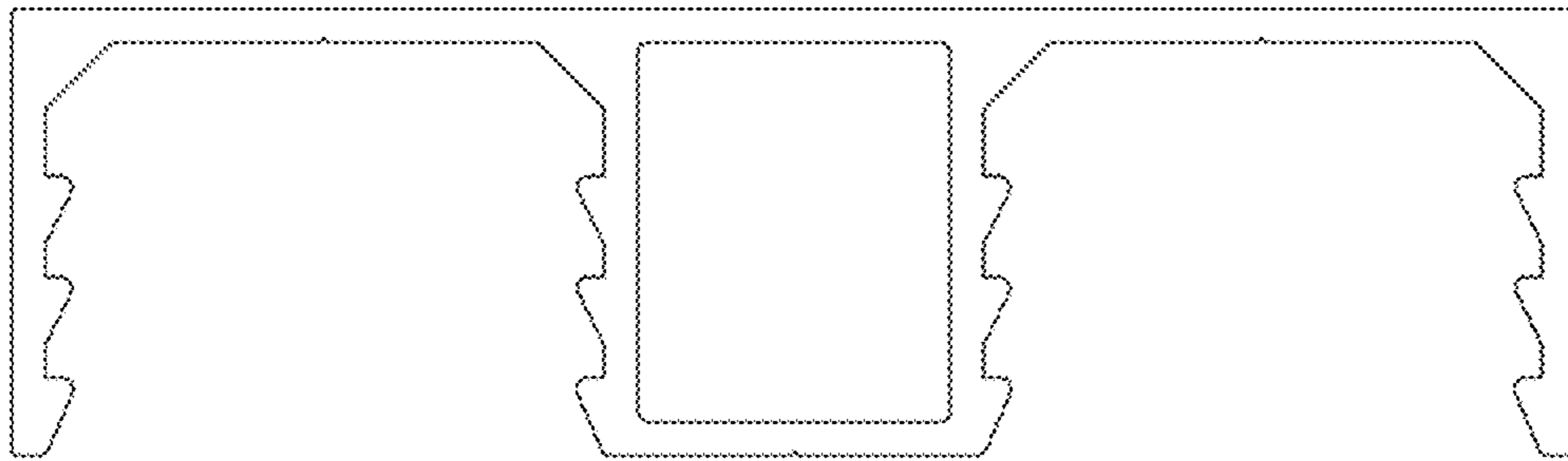


FIG. 9

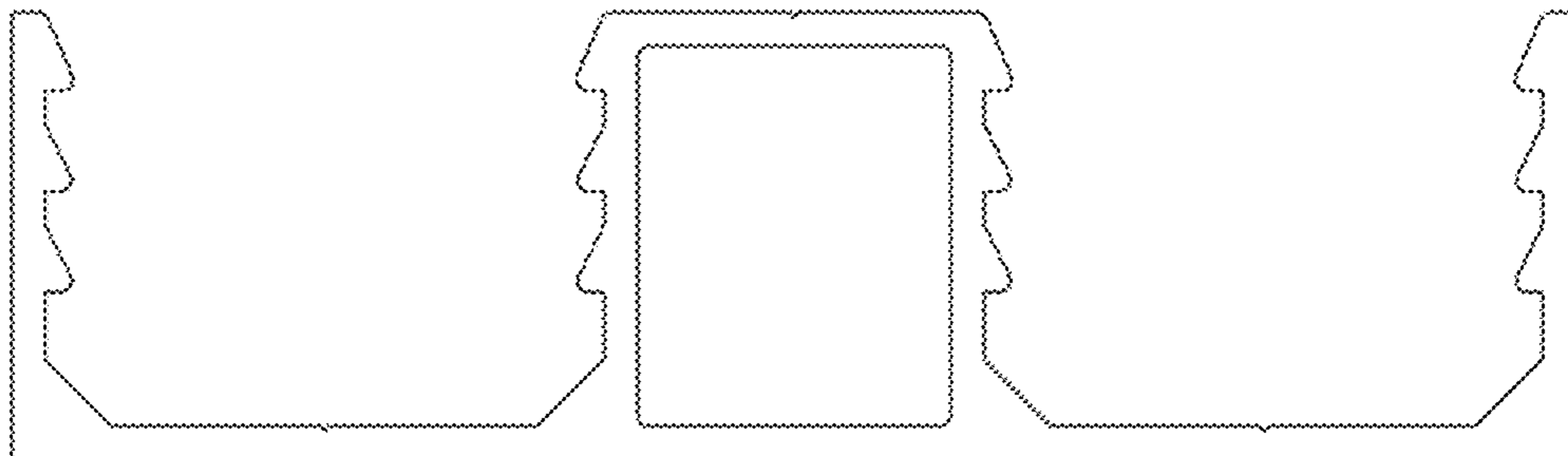


FIG. 10