



US00D834216S

(12) **United States Design Patent** (10) **Patent No.:** **US D834,216 S**  
**Hawes et al.** (45) **Date of Patent:** **\*\* Nov. 20, 2018**

(54) **DRAINAGE COMPONENT**

(71) Applicant: **Marshalls Mono Limited**, Elland (GB)

(72) Inventors: **Martin Christopher Hawes**, Elland (GB); **Christopher Mark Lamb**, Elland (GB)

(73) Assignee: **Marshalls Mono Limited**, Elland, West Yorkshire (GB)

(\*\*) Term: **15 Years**

(21) Appl. No.: **29/592,221**

(22) Filed: **Jan. 27, 2017**

(30) **Foreign Application Priority Data**

Jul. 27, 2016 (EM) ..... 003321595

(51) **LOC (11) Cl.** ..... **25-01**

(52) **U.S. Cl.**  
USPC ..... **D25/114**

(58) **Field of Classification Search**  
USPC ..... D25/113, 114, 115, 116, 117, 118, 138, D25/152, 153, 154, 155, 156, 157  
(Continued)

(56) **References Cited**

**U.S. PATENT DOCUMENTS**

511,249 A \* 12/1893 Oudin ..... E04B 32/14  
52/323  
1,477,258 A \* 12/1923 Gilbert ..... E04B 32/14  
138/115

(Continued)

**FOREIGN PATENT DOCUMENTS**

FR 890499-001 \* 1/1990

**OTHER PUBLICATIONS**

<https://www.marshalls.co.uk/commercial/water-management> Retrieved Sep. 21, 2017 (Year: 2017).\*

*Primary Examiner* — Susan Bennett Hattan  
*Assistant Examiner* — Leanne Was-Englehart  
(74) *Attorney, Agent, or Firm* — Downs Rachlin Martin PLLC

(57) **CLAIM**

The ornamental design for a drainage component, as shown and described.

**DESCRIPTION**

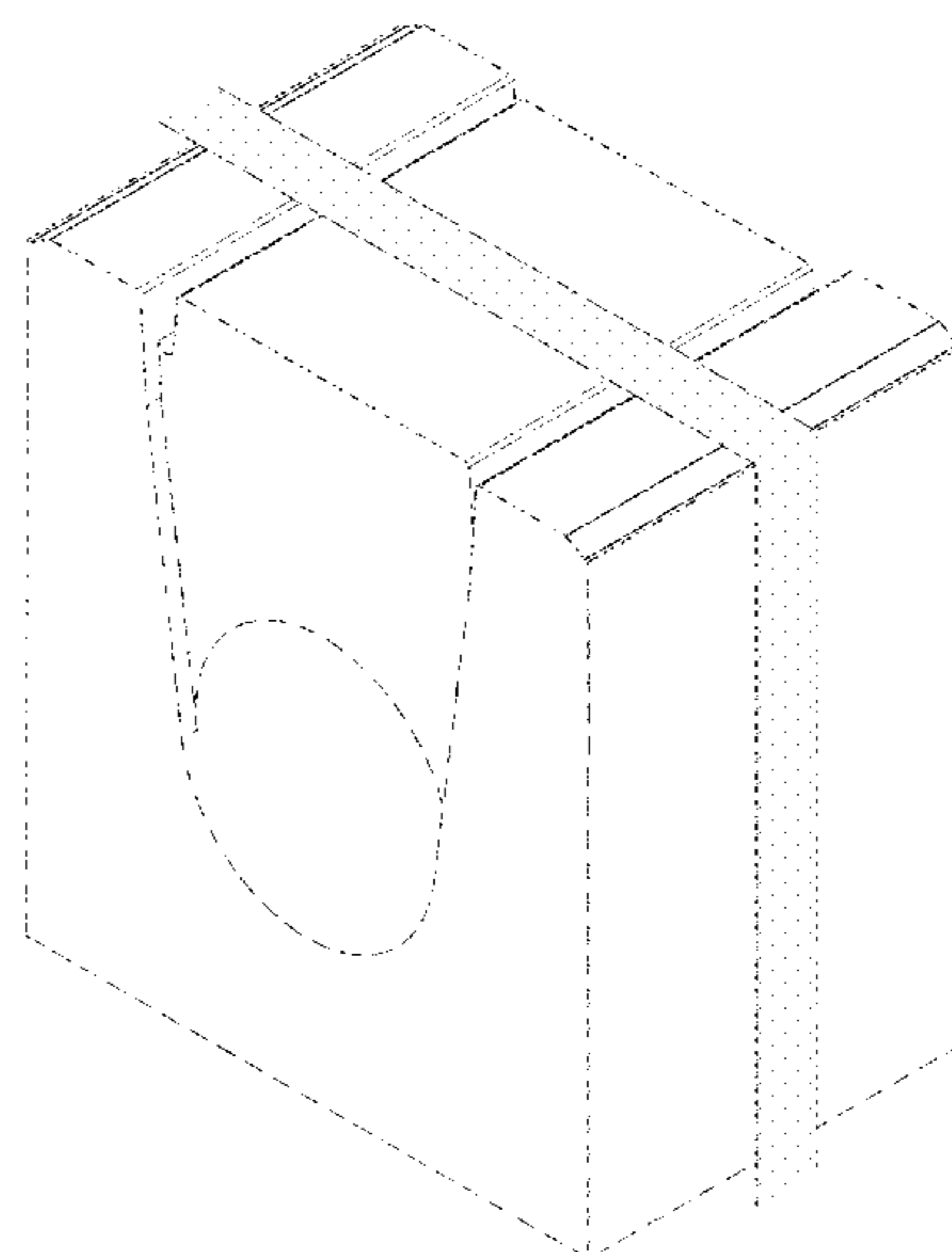
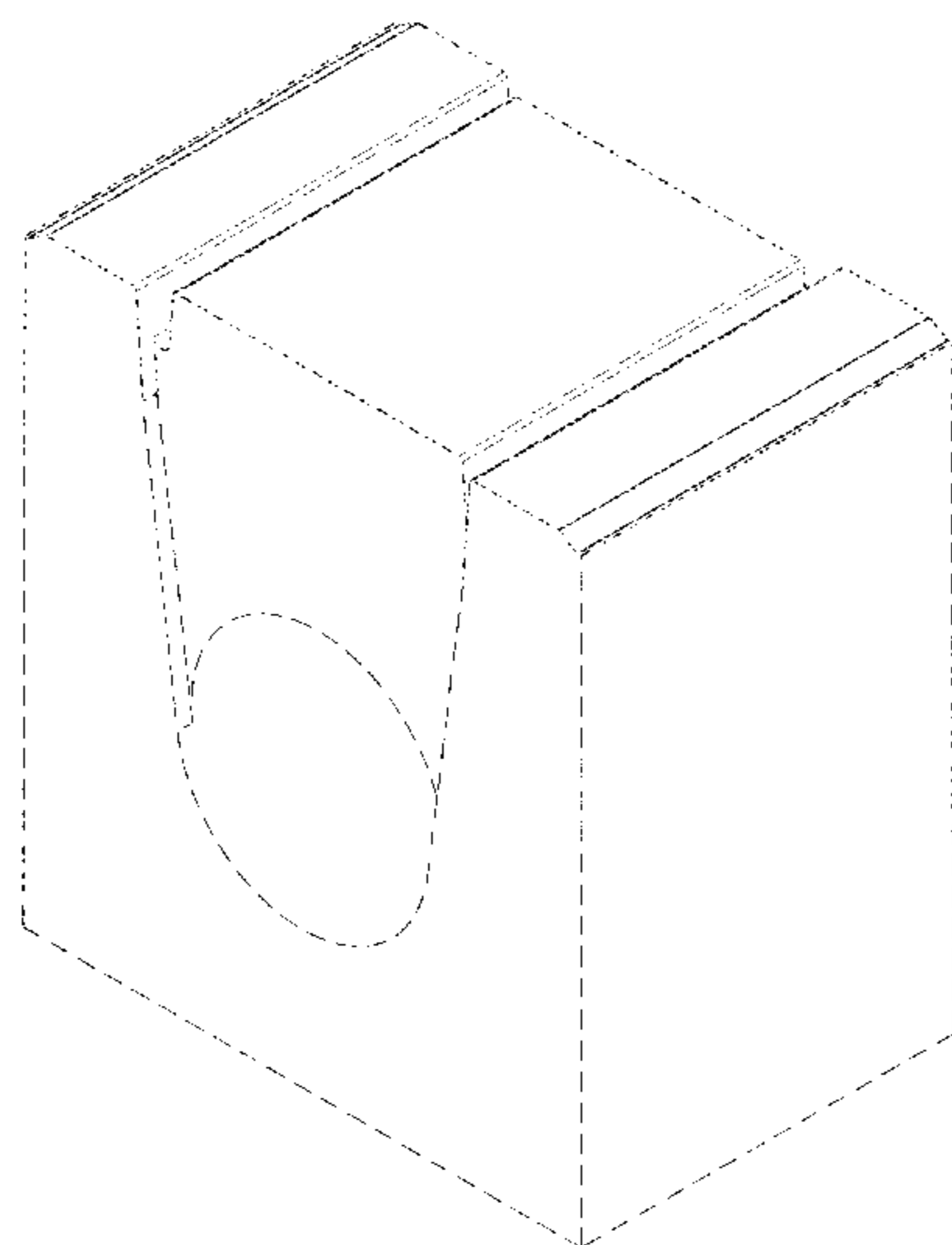
FIG. 1 is a perspective view of a first embodiment of a drainage component showing our new design;  
FIG. 2 is a front view thereof;  
FIG. 3 is a rear side view thereof;  
FIG. 4 is a first side view thereof;  
FIG. 5 is a second side view thereof;  
FIG. 6 is a top view thereof;  
FIG. 7 is a bottom view thereof;  
FIG. 8 is a perspective view of a second embodiment of a drainage component showing our new design;  
FIG. 9 is a front view of FIG. 8;  
FIG. 10 is a rear view of FIG. 8;  
FIG. 11 is a first side view of FIG. 8;  
FIG. 12 is a second side view of FIG. 8;  
FIG. 13 is a top view of FIG. 8; and,  
FIG. 14 is a bottom view of FIG. 8.

The dash-dash-dash lines in the Figures are for the purpose of illustrating unclaimed portions of the drainage component and form no part of the claimed design.

The second embodiment of the drainage component is shown with a symbolic break in a length of the design, the symbolic break indicated by dash-dot-dash lines and form no part of the claimed design. The appearance of any portion of the drainage component between the dash-dot-dash break lines forms no part of the claimed design.

The dash-dot-dot-dash broken lines define boundary lines of the claimed design and form no part of the claimed design.

**1 Claim, 14 Drawing Sheets**



(58) **Field of Classification Search**

CPC ..... E04B 2/14; E04B 2/44; E04B 2/52; E04B  
2002/0206; E04B 2002/0232; E04C  
2/041; E04C 1/397

See application file for complete search history.

(56) **References Cited**

U.S. PATENT DOCUMENTS

3,168,828 A \* 2/1965 Taylor ..... G01F 15/18  
52/27  
D219,271 S \* 11/1970 Muse ..... D25/117  
D224,890 S \* 10/1972 Muse ..... D25/117  
D225,006 S \* 10/1972 Muse ..... D25/117  
3,855,752 A \* 12/1974 Aylon ..... E04B 32/52  
52/259  
3,890,751 A \* 6/1975 Caputo ..... E02D 27/42  
52/166  
D399,577 S \* 10/1998 Scales ..... D25/115  
5,855,102 A \* 1/1999 Chang ..... E04B 2/44  
52/309.1  
D429,346 S \* 8/2000 Martin, Jr. .... D25/117  
D464,442 S \* 10/2002 Clark ..... D25/116  
D482,800 S \* 11/2003 Dice ..... D25/115  
D482,801 S \* 11/2003 Dice ..... D25/115  
D555,810 S \* 11/2007 Strand ..... D25/118  
2005/0252145 A1 \* 11/2005 MacDonald ..... E04B 32/16  
52/606

\* cited by examiner

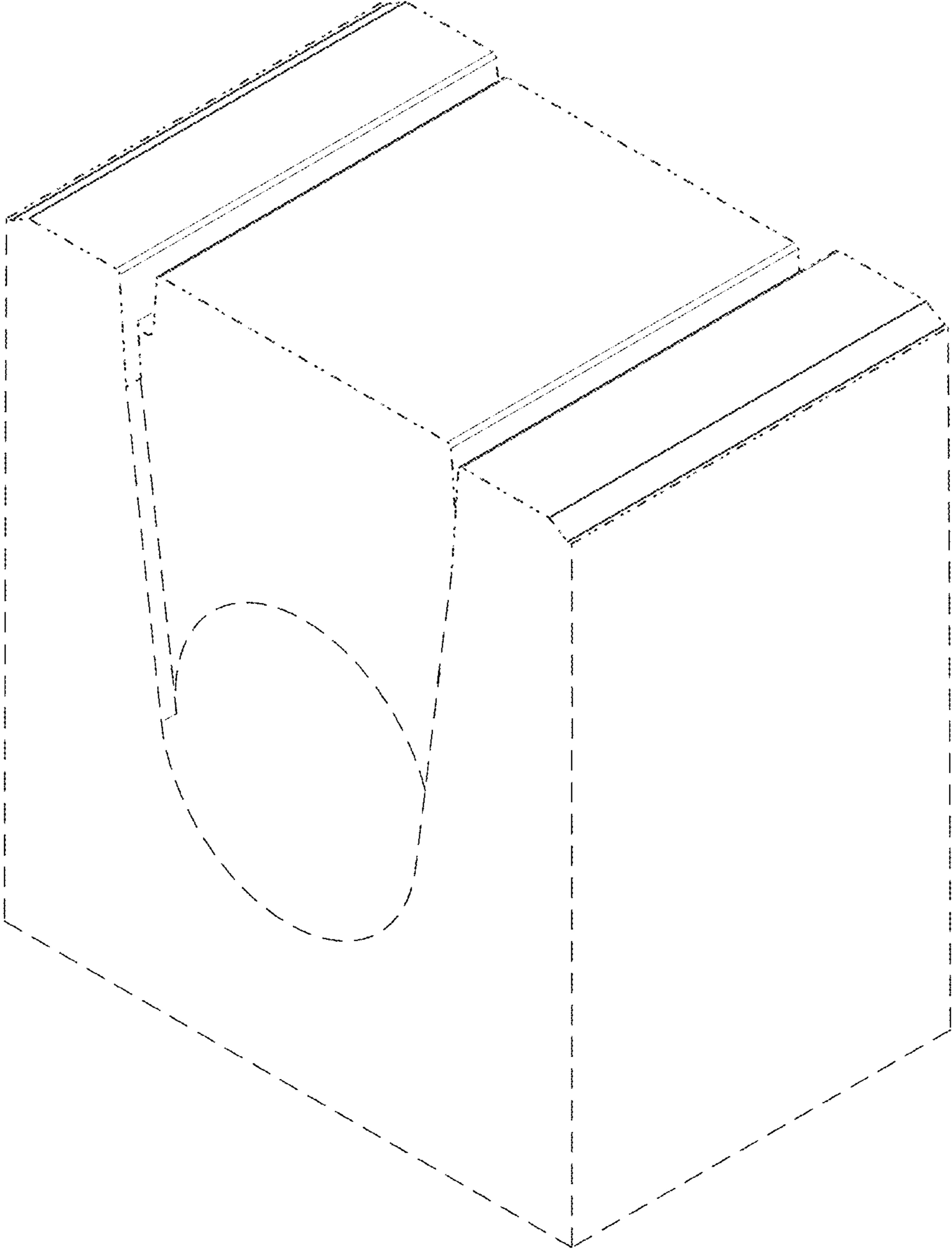


FIG. 1

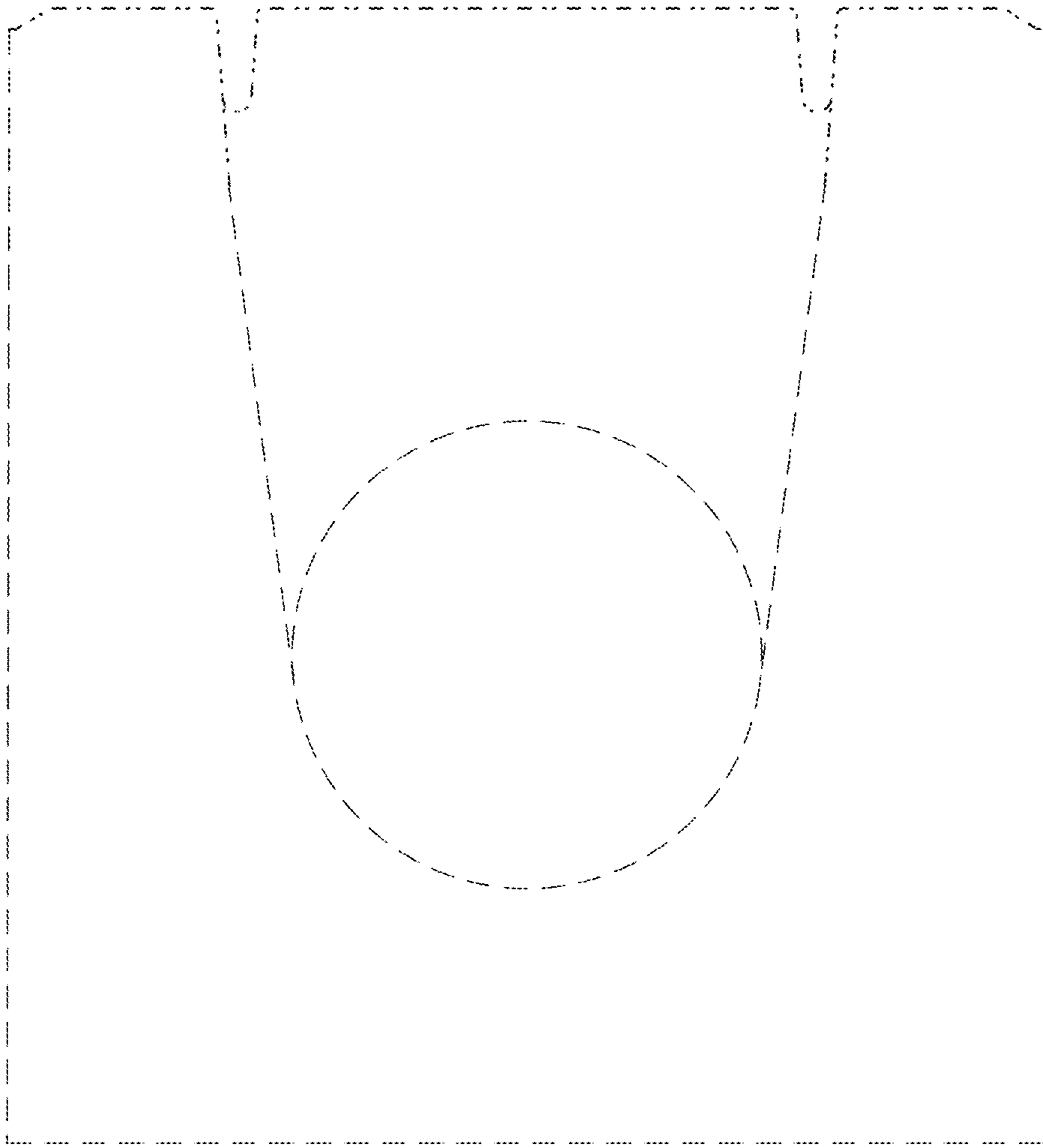


FIG. 2

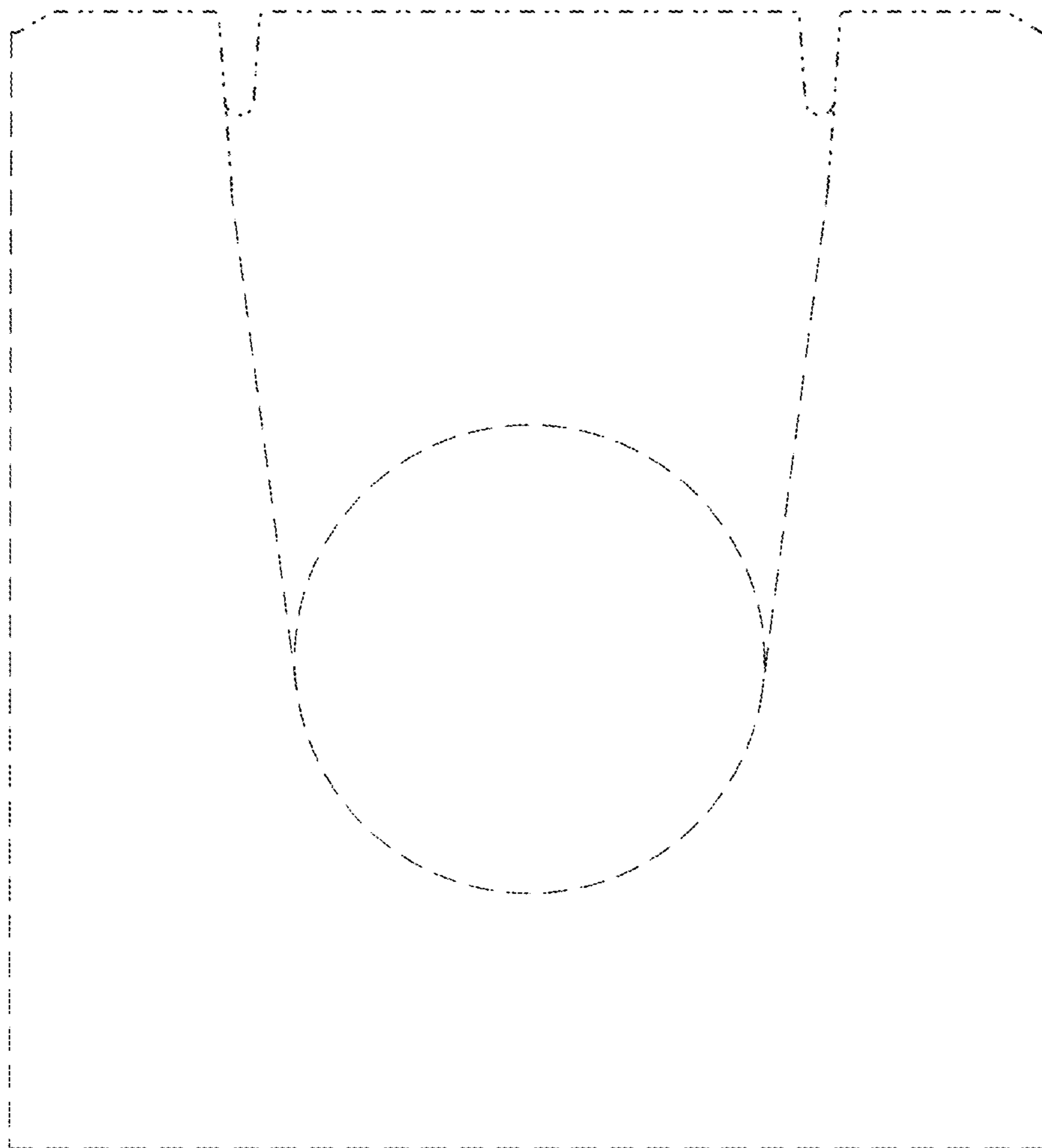
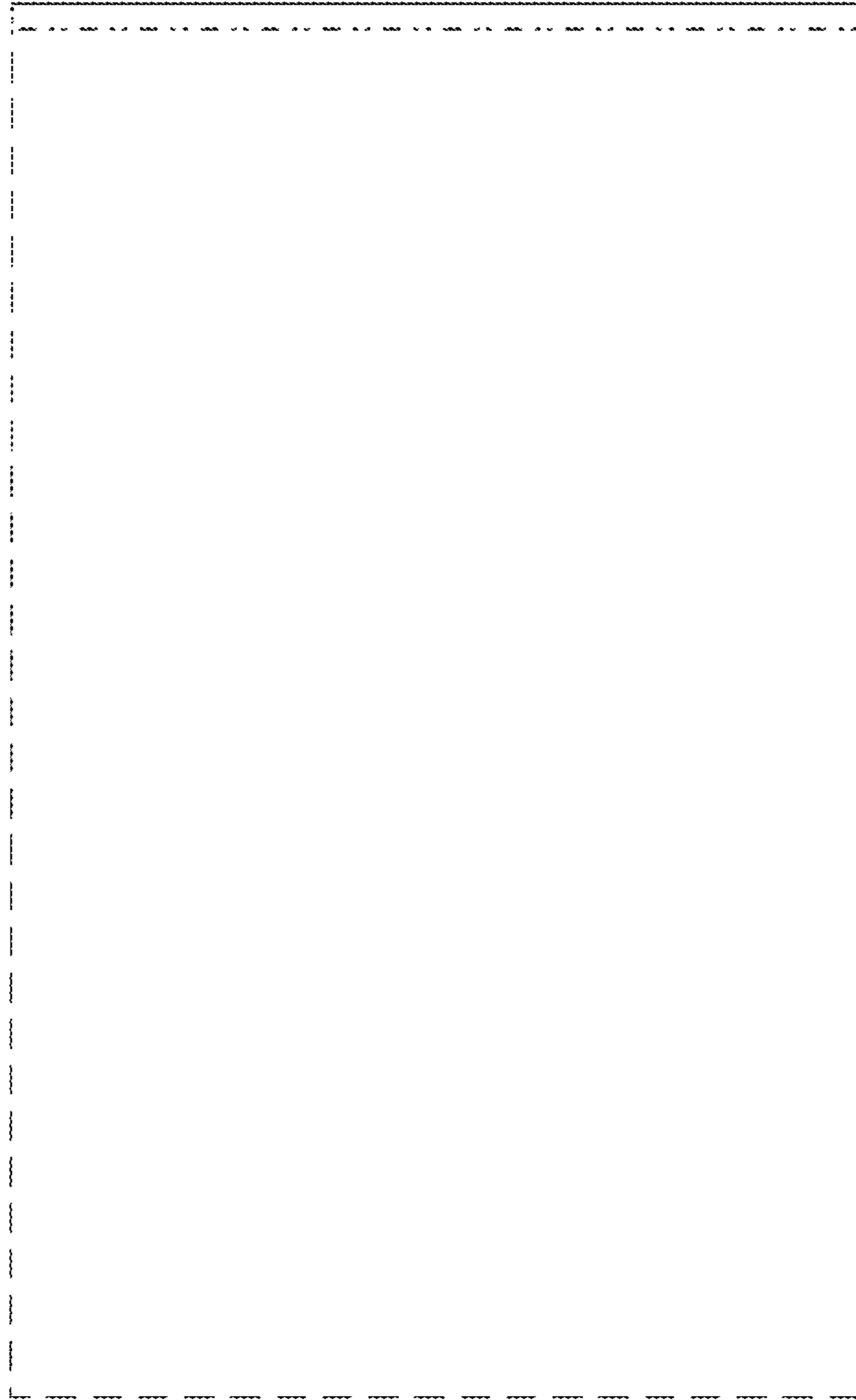


FIG. 3



**FIG. 4**



**FIG. 5**

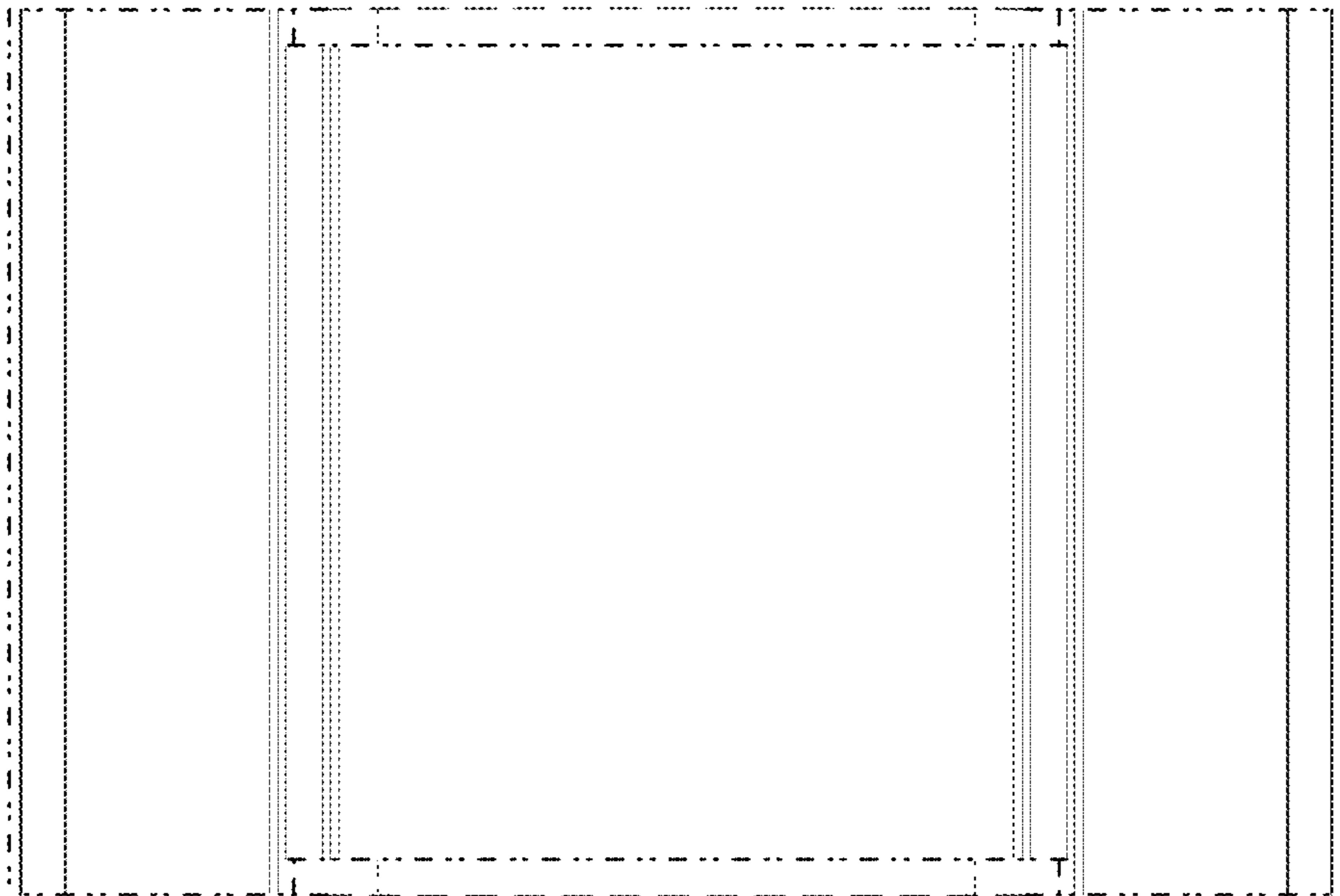


FIG. 6





**FIG. 7**

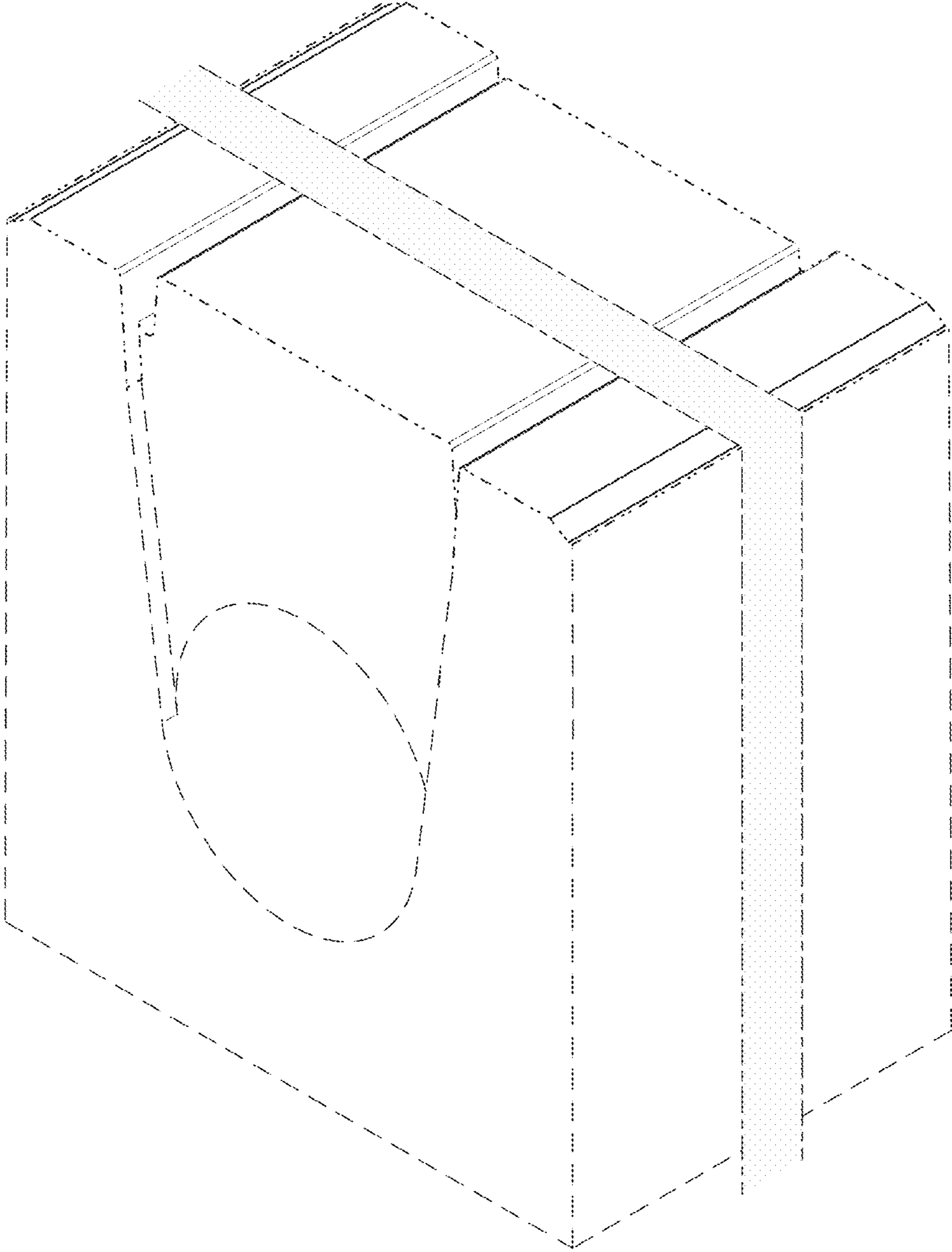


FIG. 8

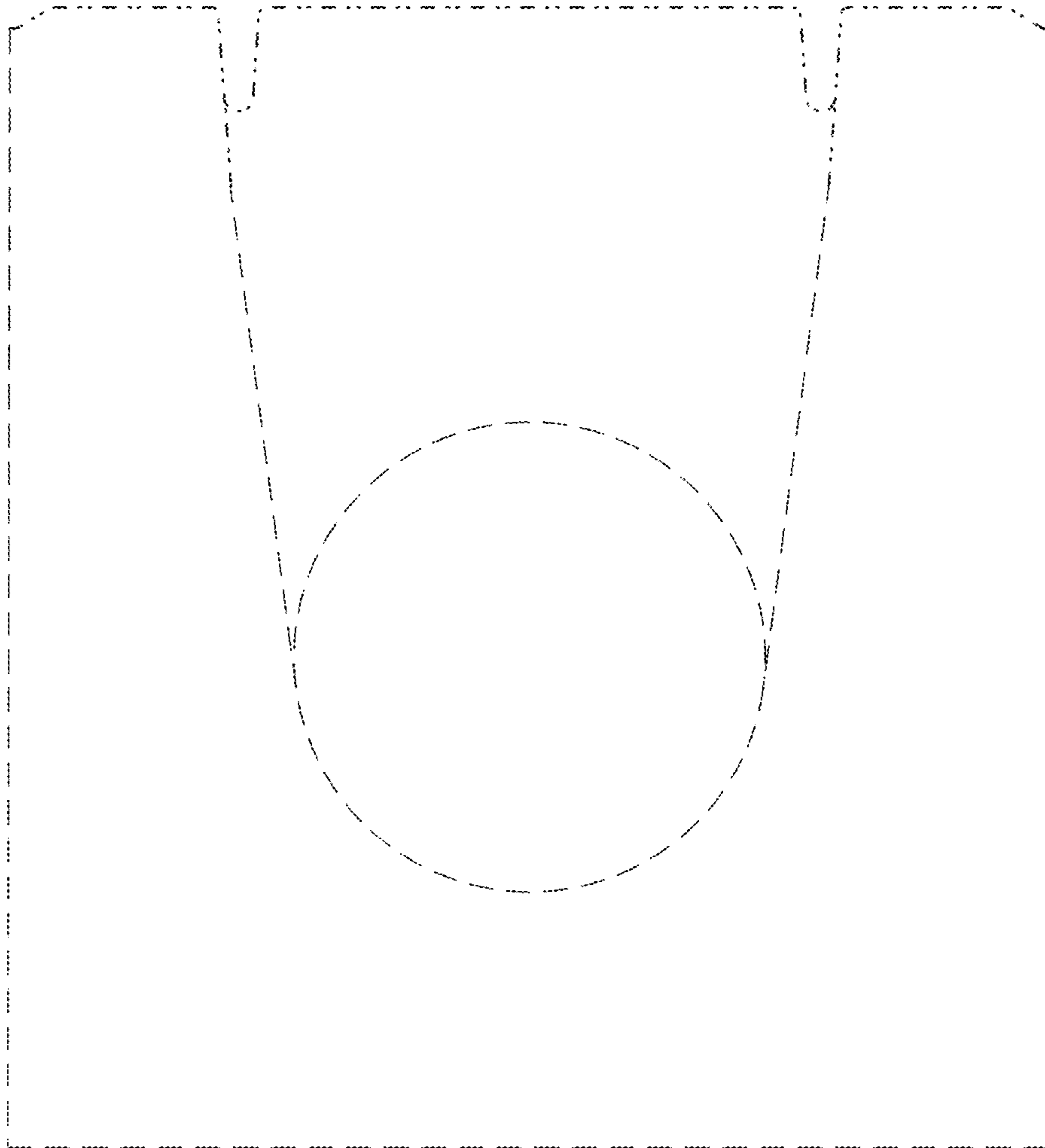


FIG. 9

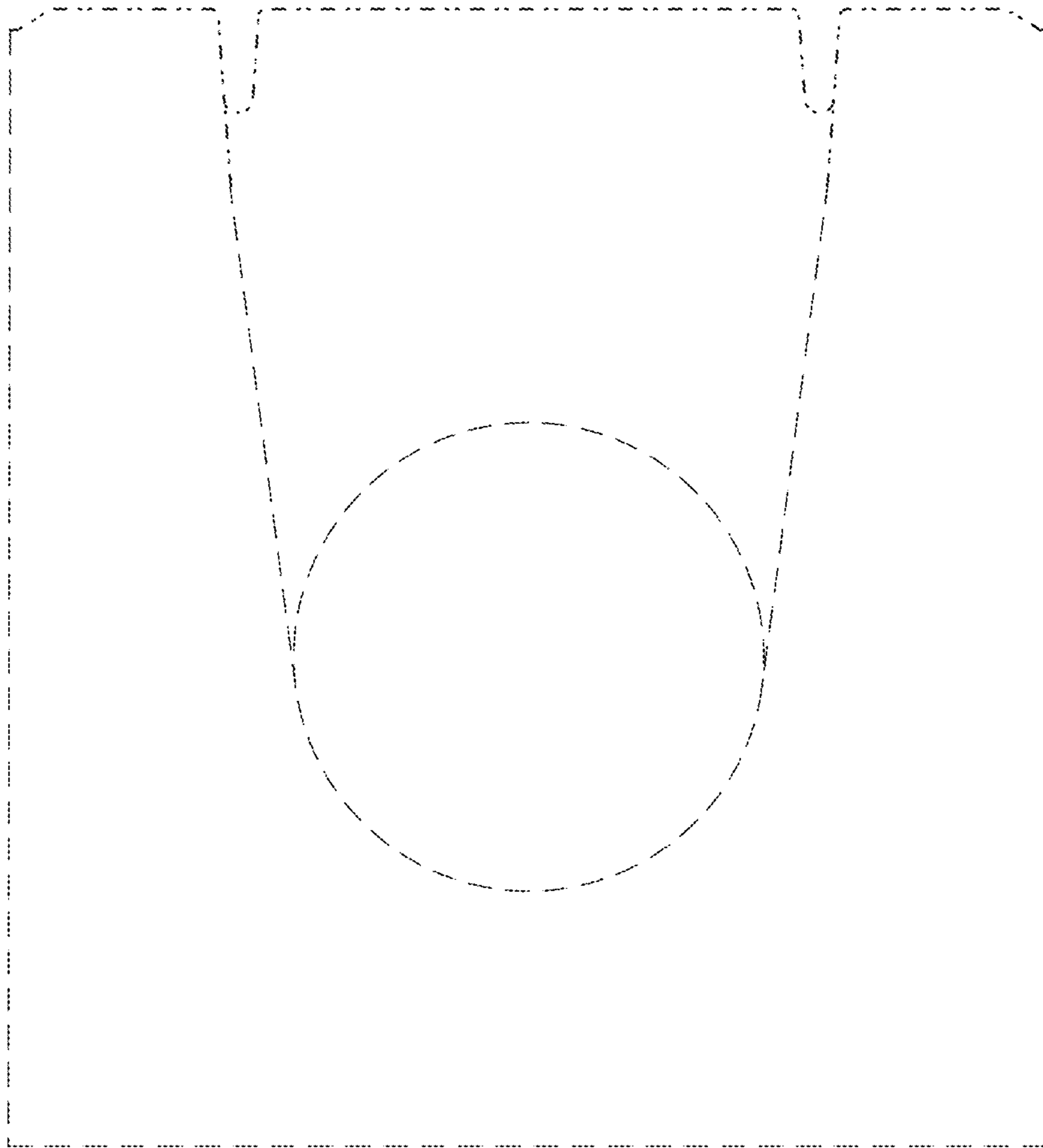


FIG. 10

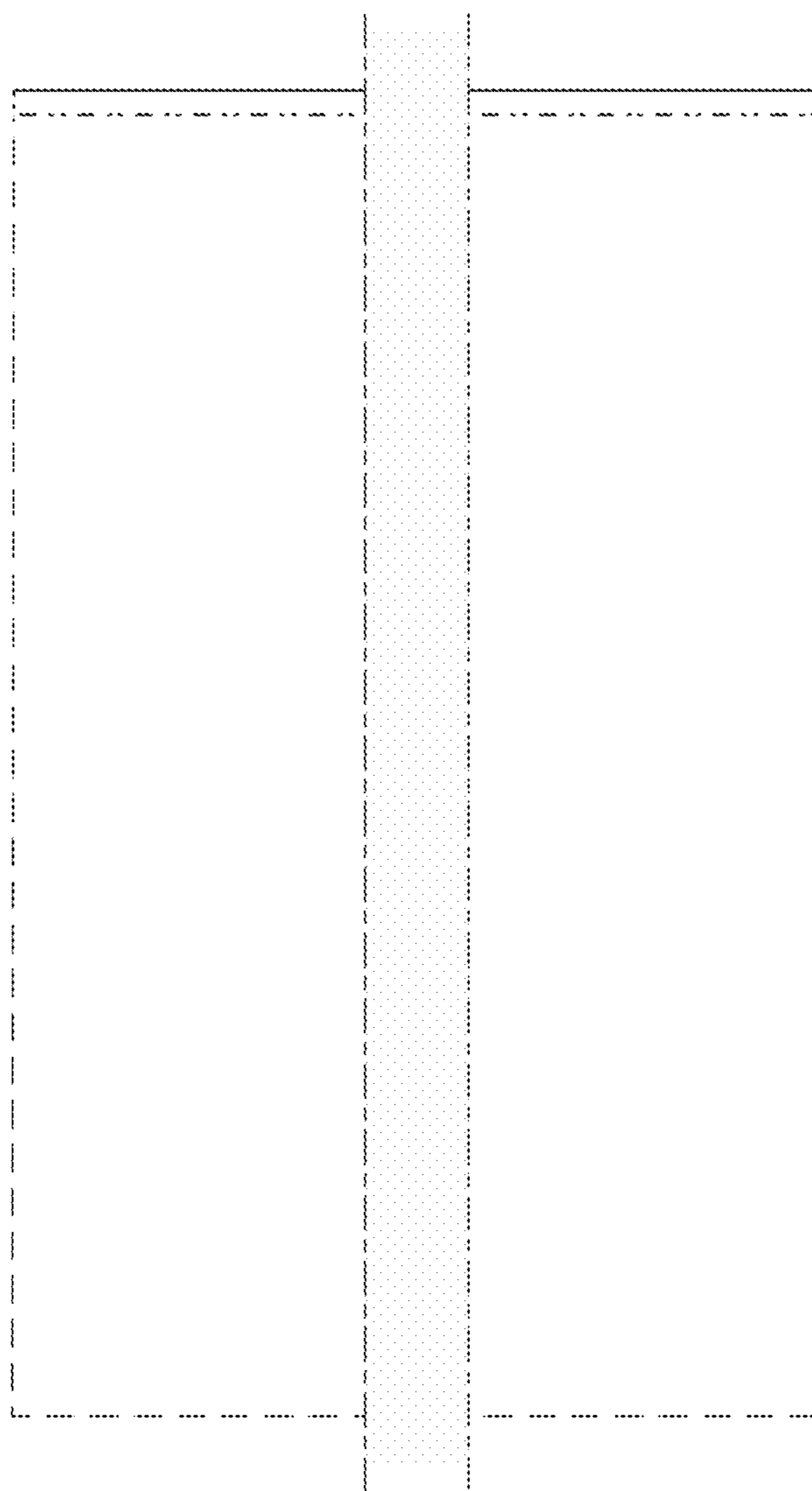


FIG. 11

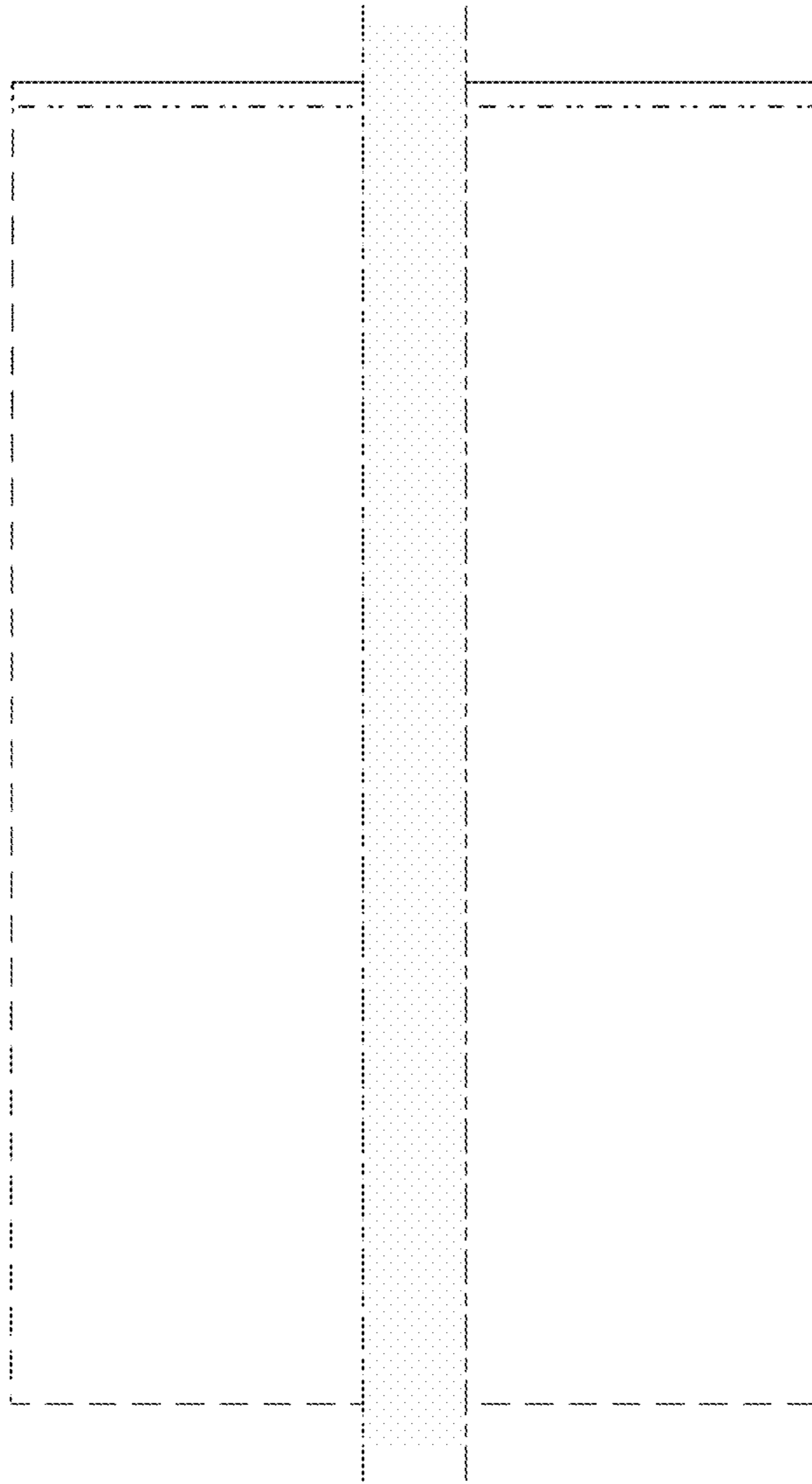


FIG. 12

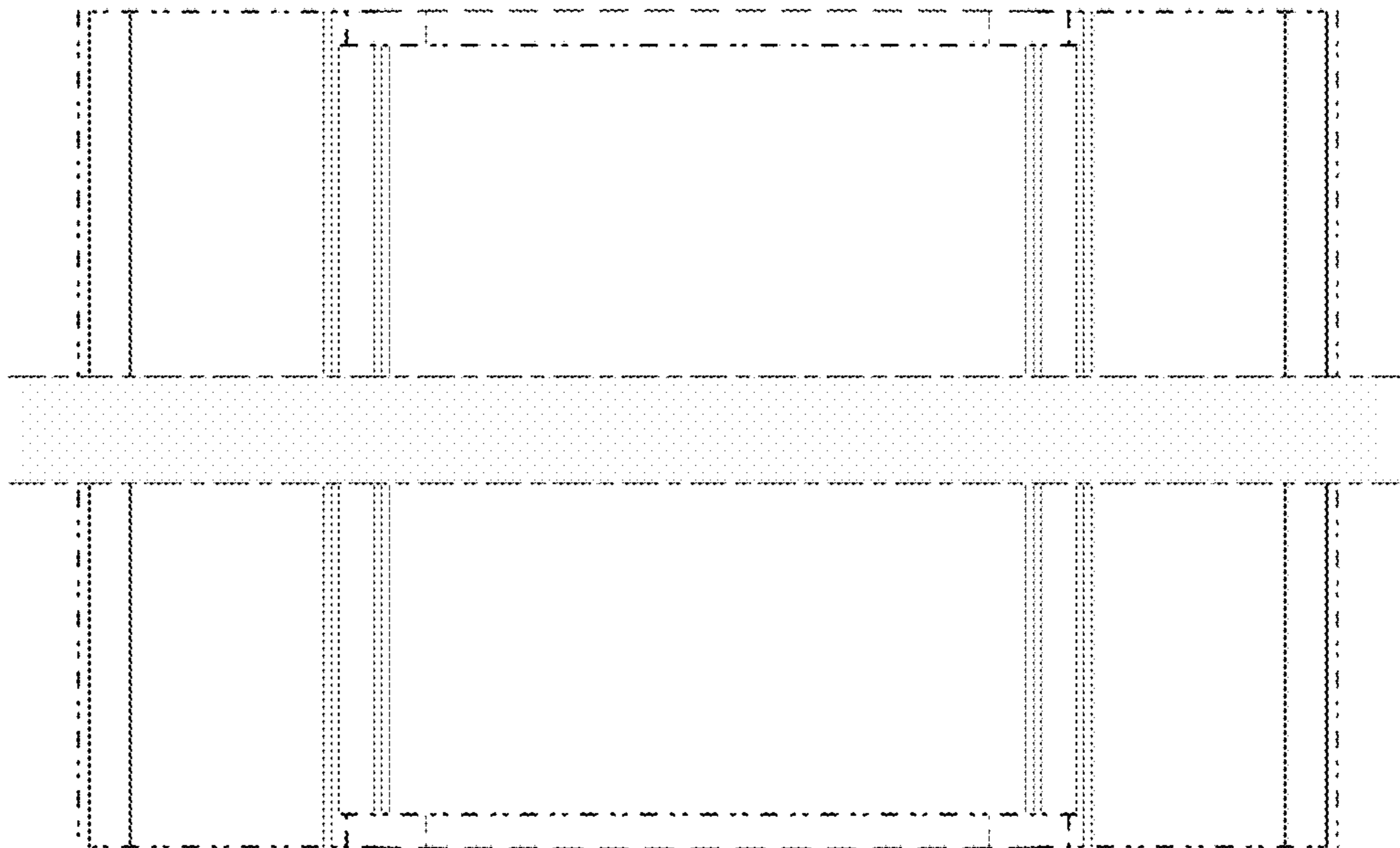


FIG. 13



FIG. 14