

US00D834215S

(12) **United States Design Patent** (10) **Patent No.:** **US D834,215 S**
D'Aoust et al. (45) **Date of Patent:** **** Nov. 20, 2018**

(54) **SWAB** 5,735,808 A * 4/1998 Delgado A61F 13/38
15/210.1
(71) Applicant: **SPARTAN BIOSCIENCE INC.,** 5,827,675 A * 10/1998 Skiffington B01L 3/502
Ottawa (CA) 435/287.6
5,965,453 A * 10/1999 Skiffington B01L 3/502
422/52
(72) Inventors: **Dave D'Aoust,** Ottawa (CA); **Chris**
Harder, Dunrobin (CA); **Derek**
Glennie, Richmond (CA) D585,998 S * 2/2009 Anderson D24/216
8,216,832 B2 * 7/2012 Battrell A61B 10/0096
435/308.1
(73) Assignee: **SPARTAN BIOSCIENCE INC.,** D727,527 S * 4/2015 Tao D24/222
Ottawa (CA) 9,034,168 B2 * 5/2015 Khattak G01N 33/54366
205/775.5
(**) Term: **15 Years** 2012/0180580 A1 * 7/2012 Immink A61B 10/0045
73/864.91

(Continued)

(21) Appl. No.: **29/580,984**
(22) Filed: **Oct. 14, 2016**
(51) **LOC (11) Cl.** **24-01**
(52) **U.S. Cl.**
USPC **D24/216**
(58) **Field of Classification Search**
USPC D24/216-232, 107, 108, 119, 121, 162,
D24/169, 186, 201, 233, 234; D10/81;
422/553; 435/297.5, 305.3
CPC G01N 2035/00306; G01N 2035/00326;
G01N 2035/00336; G01N 2035/00029;
G01N 2035/0401; G01N 2035/0403;
G01N 2035/0405; G01N 2035/00019;
G01N 2030/027; G01N 35/08; G01N
35/02; G01N 35/021; G01N 35/026;
G01N 35/028; G01N 35/04; G01N 1/22;
G01N 1/2205; G01N 1/2273; G01N
33/497; G01N 33/4977; B01L 2300/0809;
B01L 2300/0816; B01L 2300/0822; B01L
2300/0832; B01L 2300/0806; B01L
2300/0861; B01L 2300/0829; B01L
3/5085; B01L 3/50853
See application file for complete search history.

(56) **References Cited**

U.S. PATENT DOCUMENTS

3,640,268 A * 2/1972 Davis A61B 10/02
401/119
4,813,432 A * 3/1989 Saint-Amand A61B 10/0096
206/363

FOREIGN PATENT DOCUMENTS

EM 003747625-0002 * 3/2017

Primary Examiner — Anhdao Doan

Assistant Examiner — Mary Shannon Malley

(74) *Attorney, Agent, or Firm* — Quarles & Brady LLP

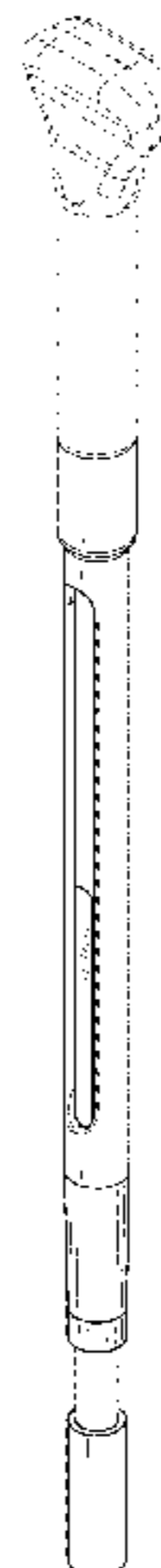
(57) **CLAIM**

The ornamental design for a swab, as shown and described.

DESCRIPTION

FIG. 1 is a perspective view of the swab;
FIG. 2 is a left side view of the swab of FIG. 1;
FIG. 3 is a front view of the swab of FIG. 1;
FIG. 4 is a right side view of the swab of FIG. 1;
FIG. 5 is a rear view of the swab of FIG. 1;
FIG. 6 is a top view of the swab of FIG. 1;
FIG. 7 is a bottom view of the swab of FIG. 1; and,
FIG. 8 is an exploded view of the swab of FIG. 1.
The broken lines show portions of the swab that form no part
of the claimed design.

1 Claim, 3 Drawing Sheets



(56)

References Cited

U.S. PATENT DOCUMENTS

2016/0367227 A1* 12/2016 Triva A61B 10/0045

* cited by examiner

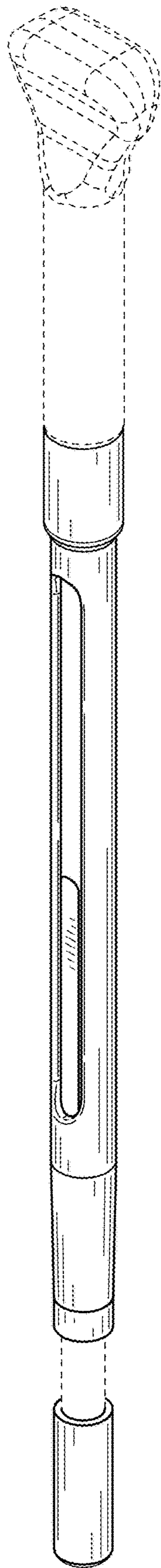


FIG. 1

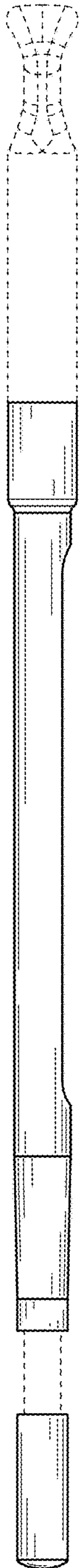


FIG. 2

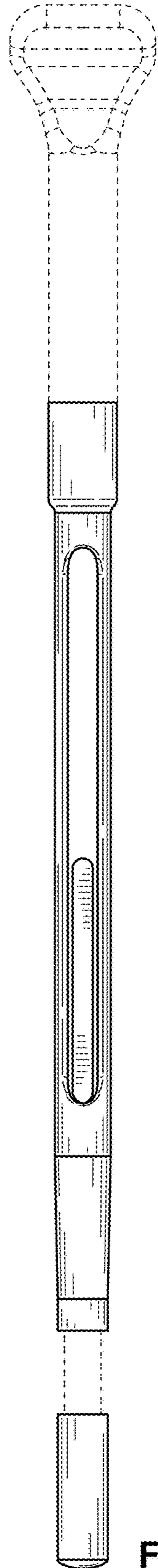


FIG. 3

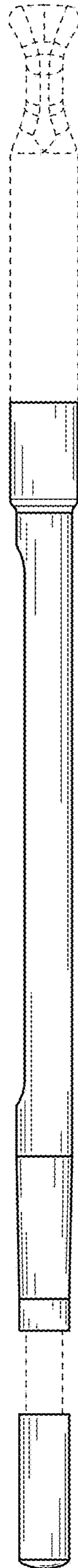


FIG. 4

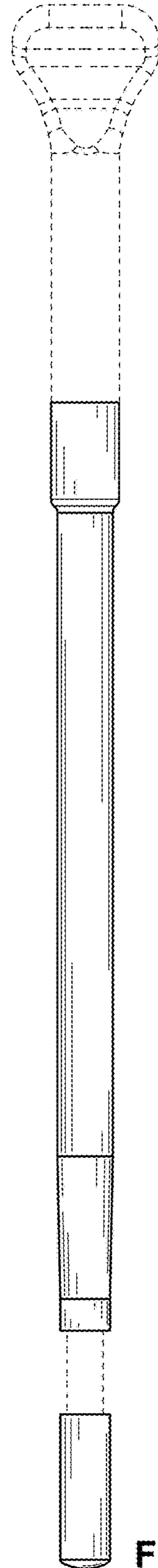


FIG. 5

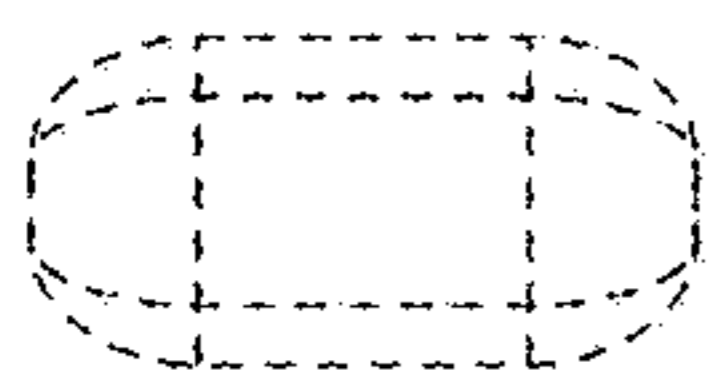


FIG. 6

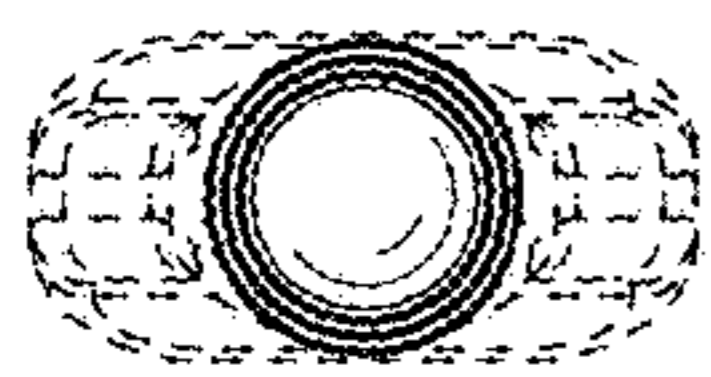


FIG. 7

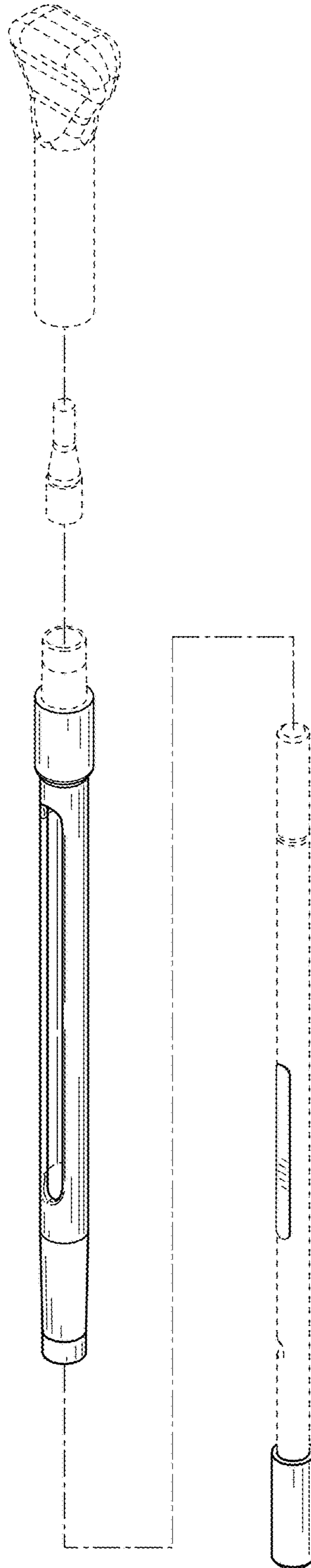


FIG. 8