



US00D834203S

(12) **United States Design Patent**
Zhuang

(10) **Patent No.:** **US D834,203 S**

(45) **Date of Patent:** **** Nov. 20, 2018**

(54) **FINGER SPLINT**

D793,568 S * 8/2017 Wong D24/190
D797,299 S * 9/2017 Ruel D24/190
D799,710 S * 10/2017 Wong D24/190

(71) Applicant: **Shenzhen Yibai Network Technology Co., Ltd.**, Shenzhen (CN)

* cited by examiner

(72) Inventor: **Junchao Zhuang**, Shenzhen (CN)

Primary Examiner — Lakiya G Rogers

(**) Term: **15 Years**

Assistant Examiner — Carissa C Fitts

(74) *Attorney, Agent, or Firm* — Wayne & King LLC

(21) Appl. No.: **29/608,847**

(22) Filed: **Jun. 26, 2017**

(51) **LOC (11) Cl.** **24-01**

(52) **U.S. Cl.**

USPC **D24/190**

(58) **Field of Classification Search**

USPC D24/189–192; D29/113, 114

CPC A61F 5/0111; A61F 13/065; A61F 13/066;

A61F 5/05875

See application file for complete search history.

(56) **References Cited**

U.S. PATENT DOCUMENTS

D286,073 S * 10/1986 Russell D24/190

D291,830 S * 9/1987 Murtaugh, III D24/190

D293,379 S * 12/1987 Link D24/190

D715,951 S * 10/2014 Stuart D24/190

(57) **CLAIM**

The ornamental design for a finger splint, as shown and described.

DESCRIPTION

FIG. 1 is a front perspective view of a finger splint showing my new design.

FIG. 2 is a rear perspective view thereof.

FIG. 3 is a front view thereof.

FIG. 4 is a rear view thereof.

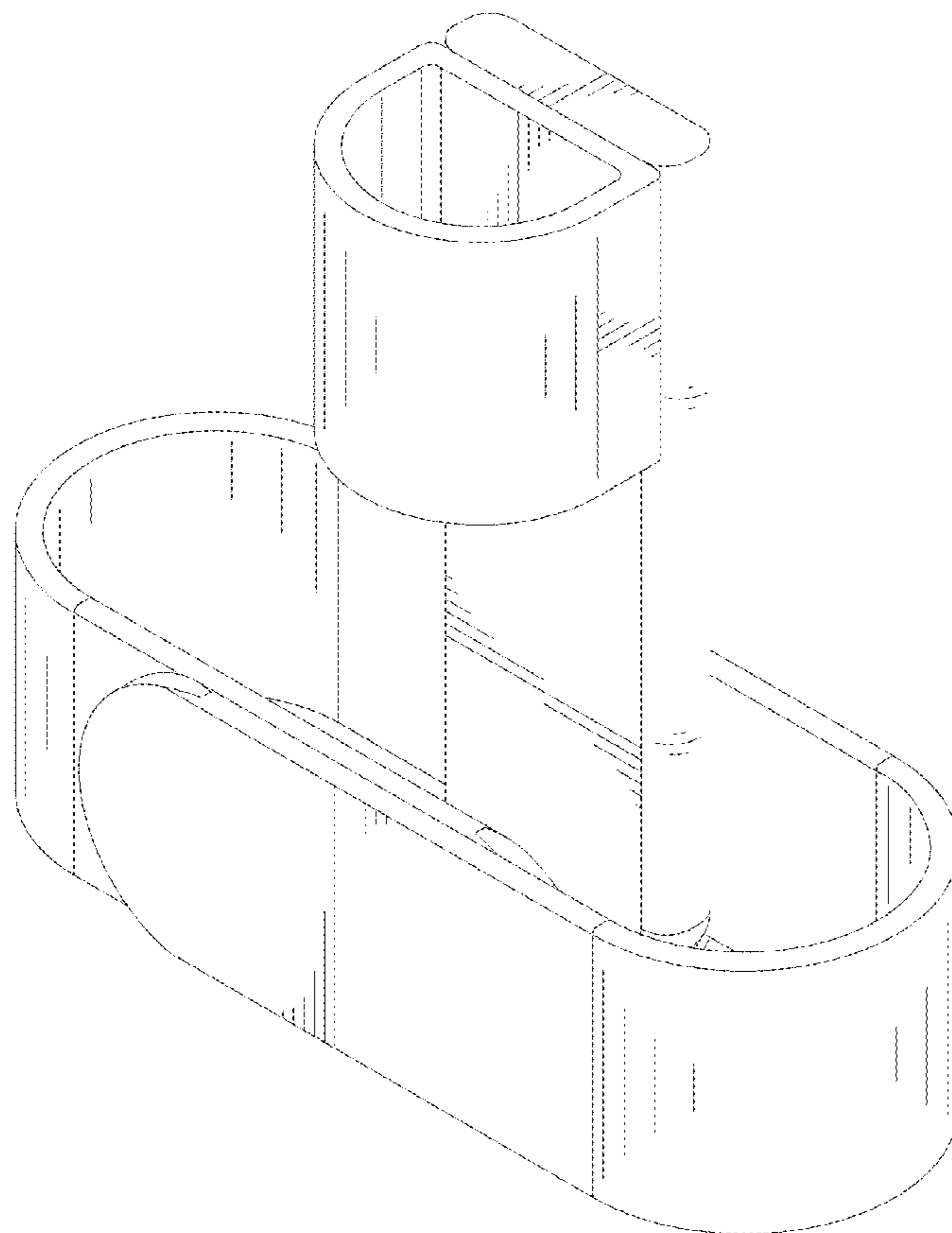
FIG. 5 is a left end view thereof.

FIG. 6 is a right end view thereof.

FIG. 7 is a top view thereof; and,

FIG. 8 is a bottom view thereof.

1 Claim, 8 Drawing Sheets



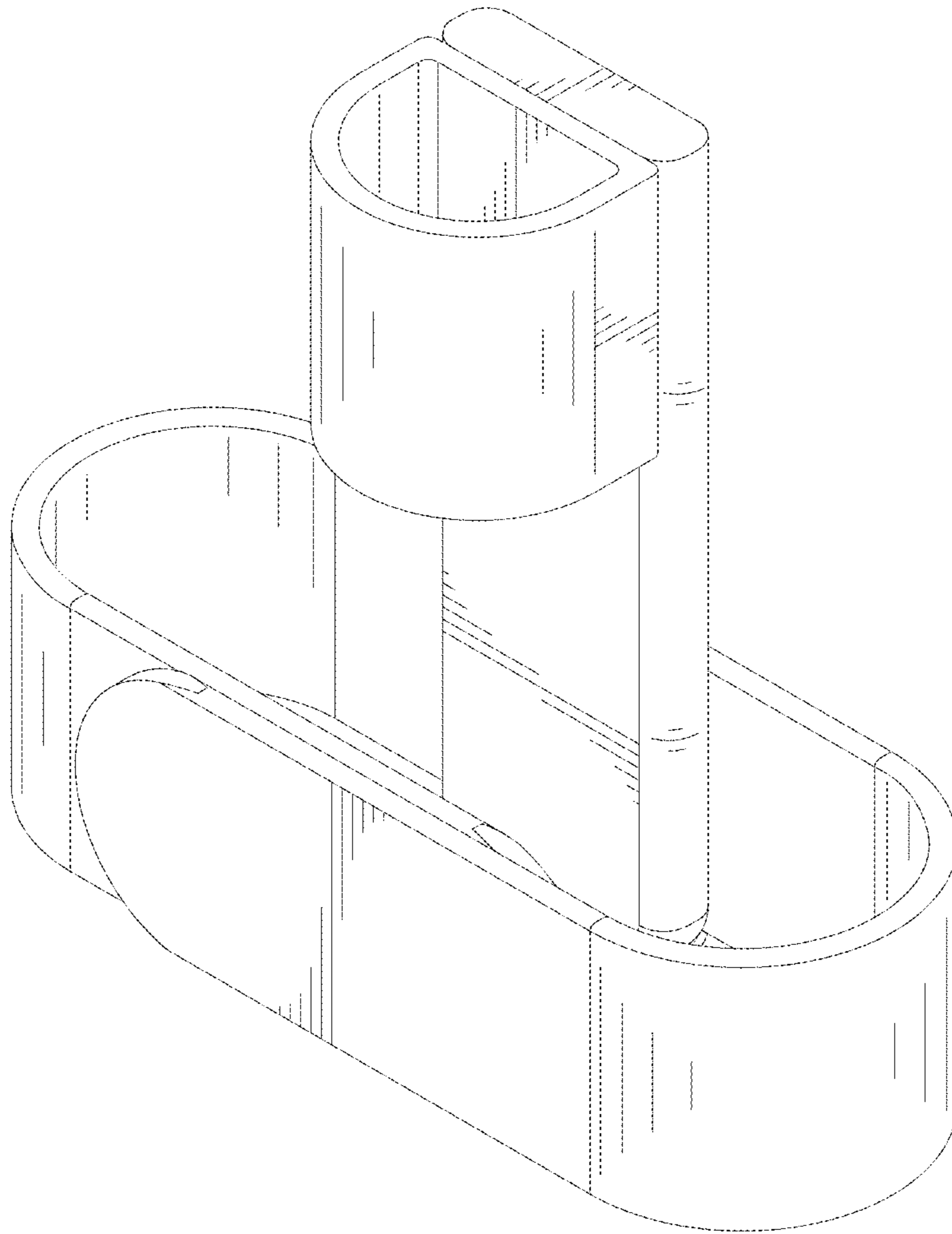


FIG.1

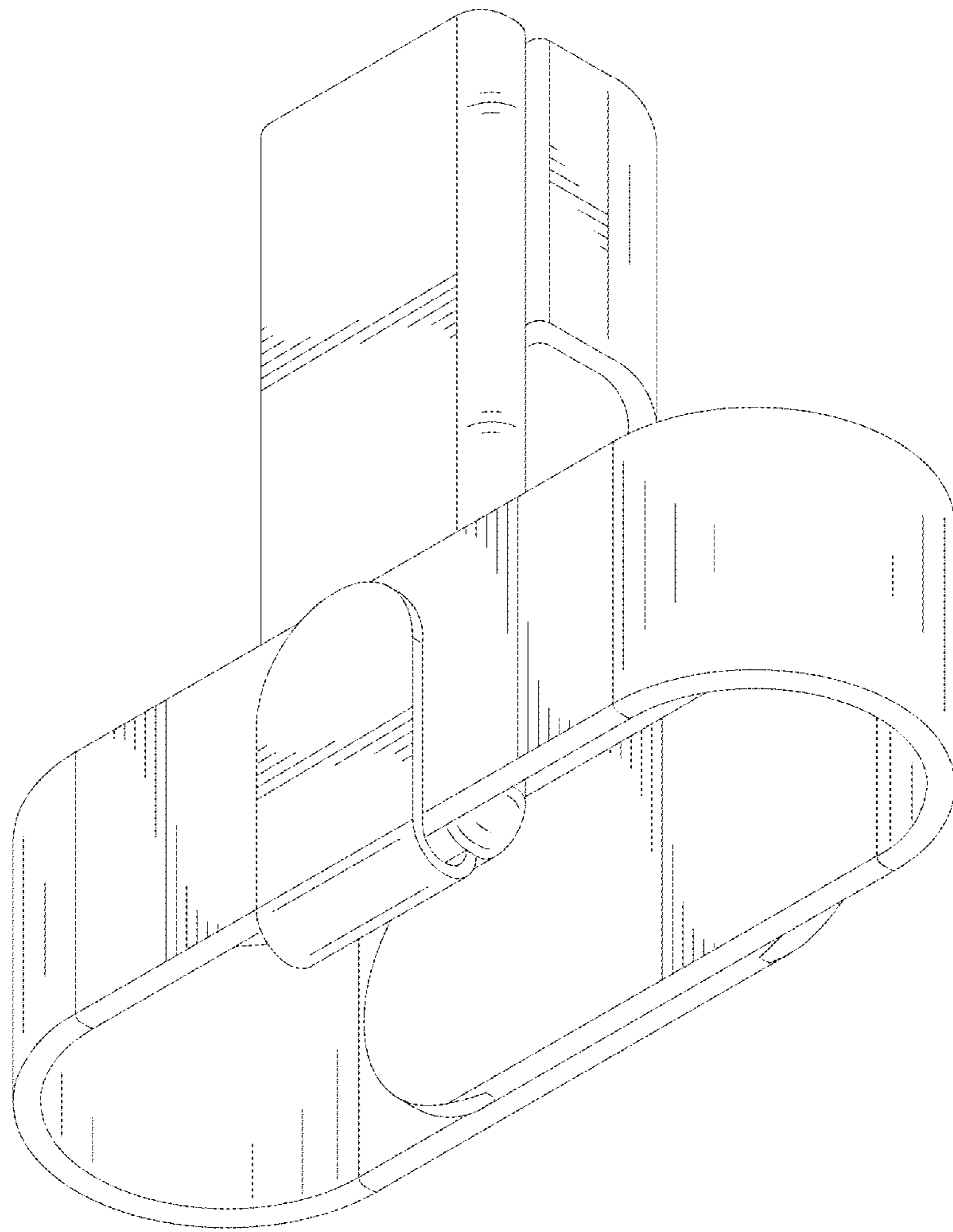


FIG.2

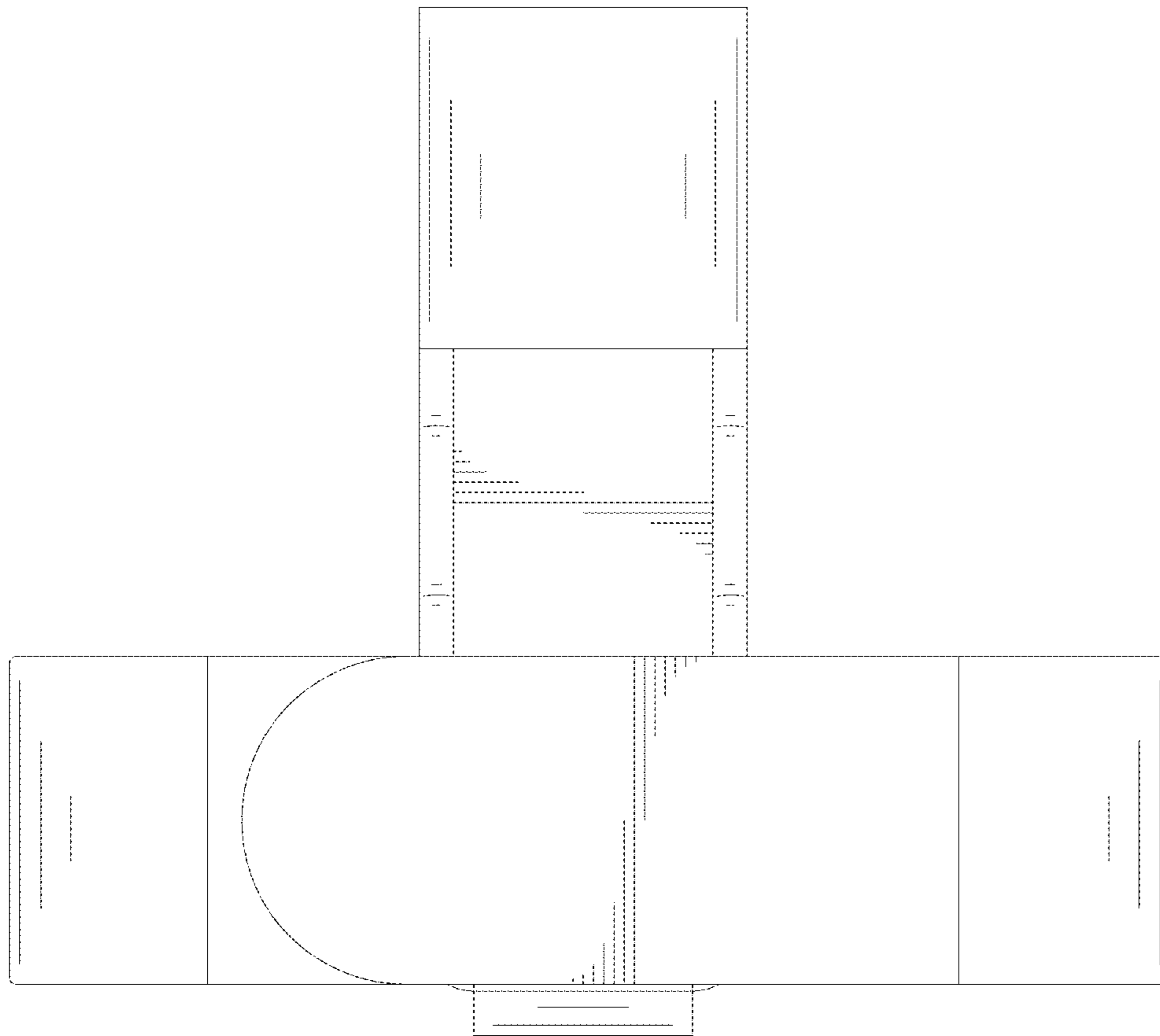


FIG.3

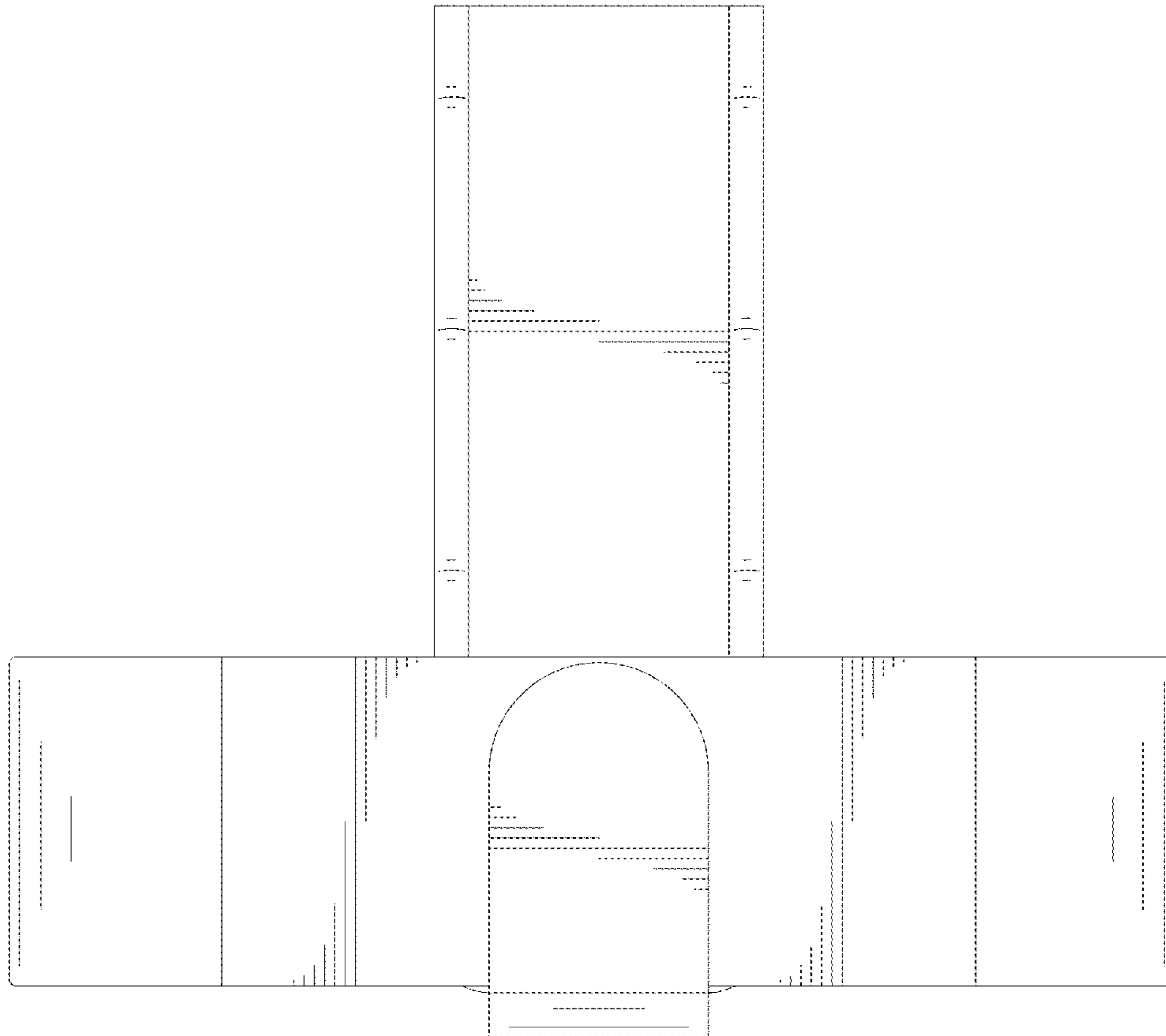


FIG.4

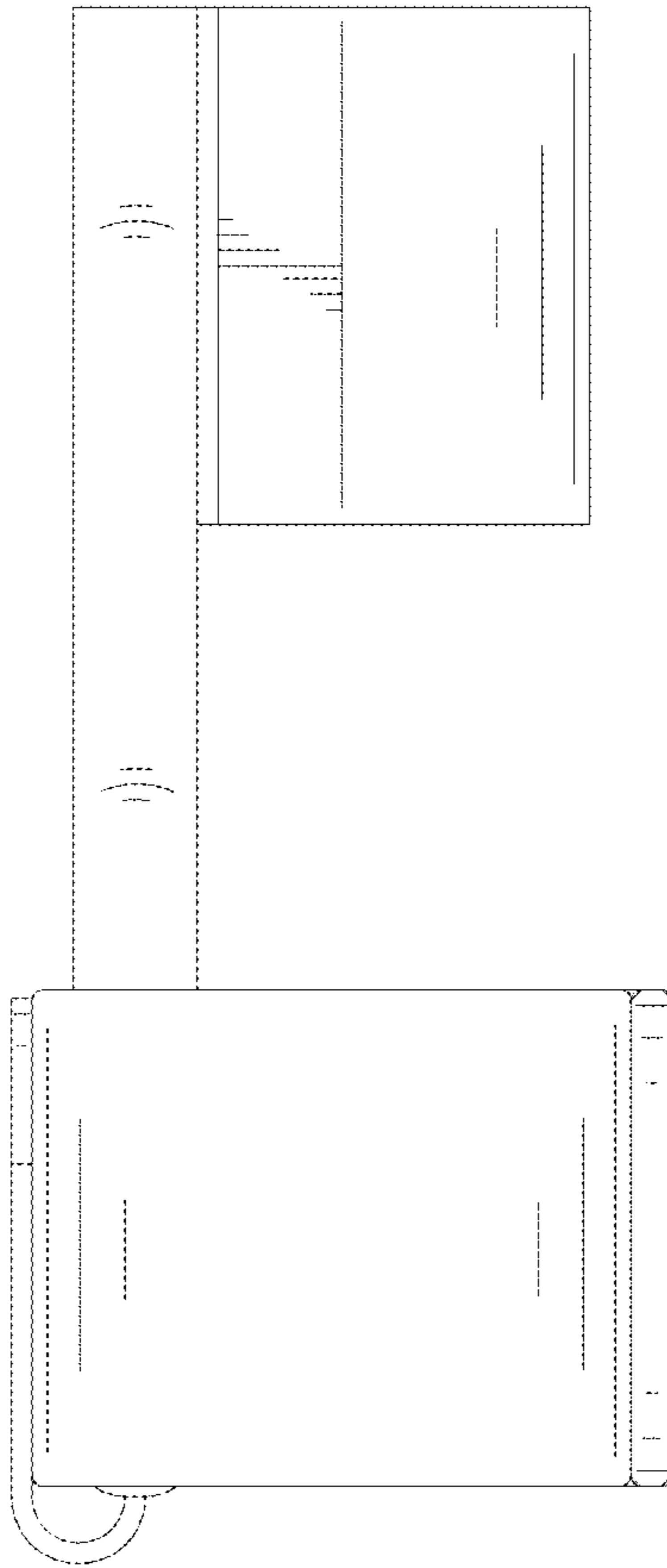


FIG.5

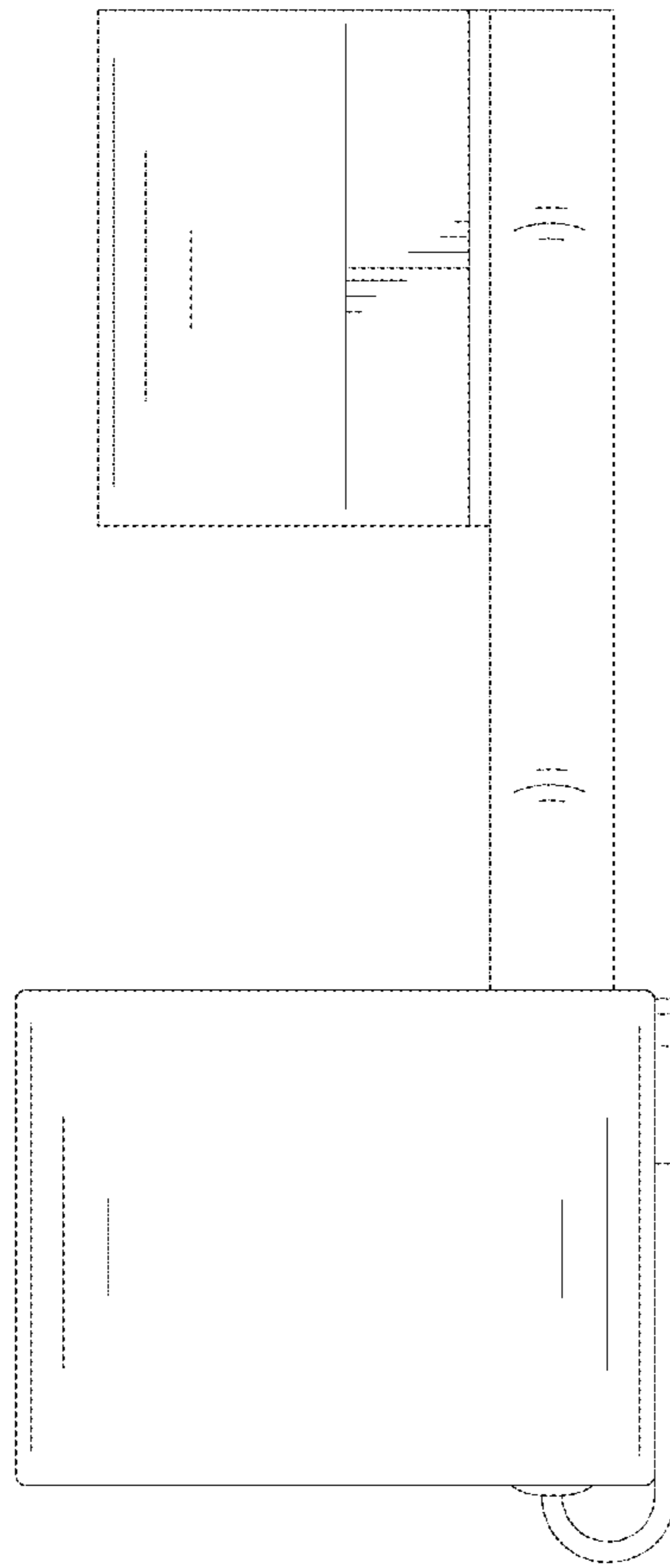


FIG.6

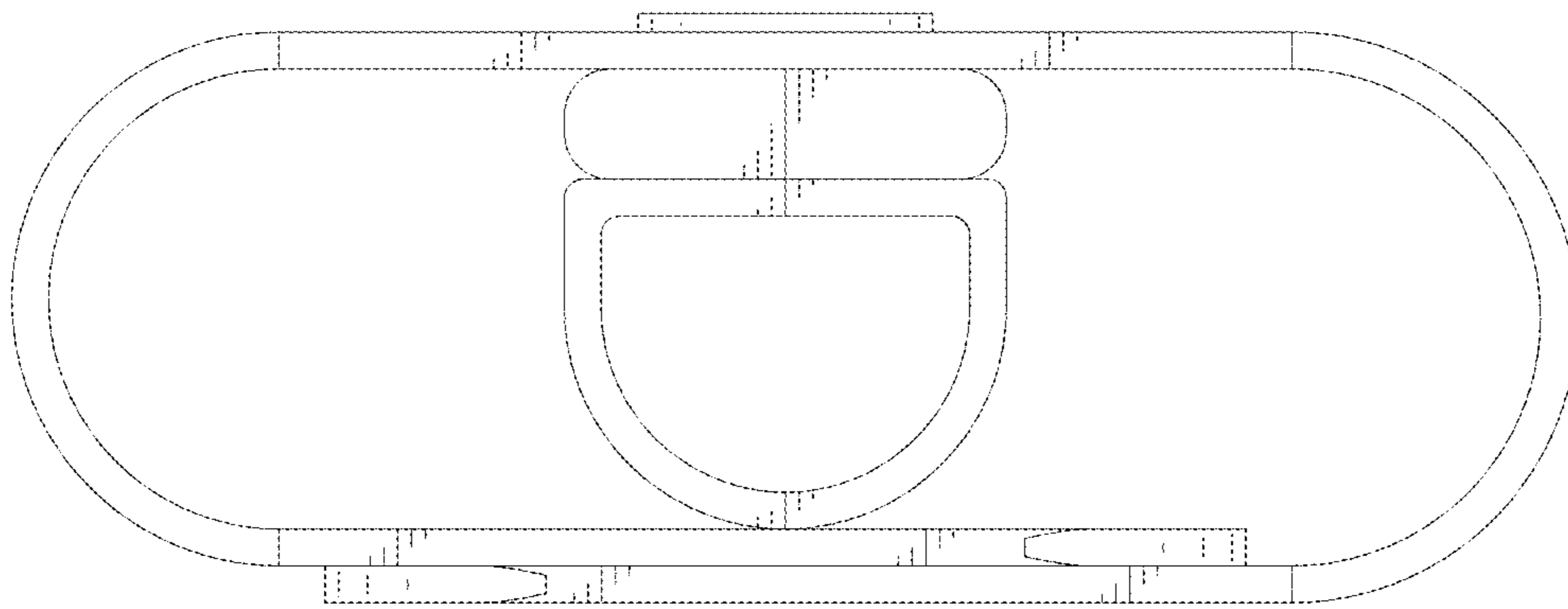


FIG.7

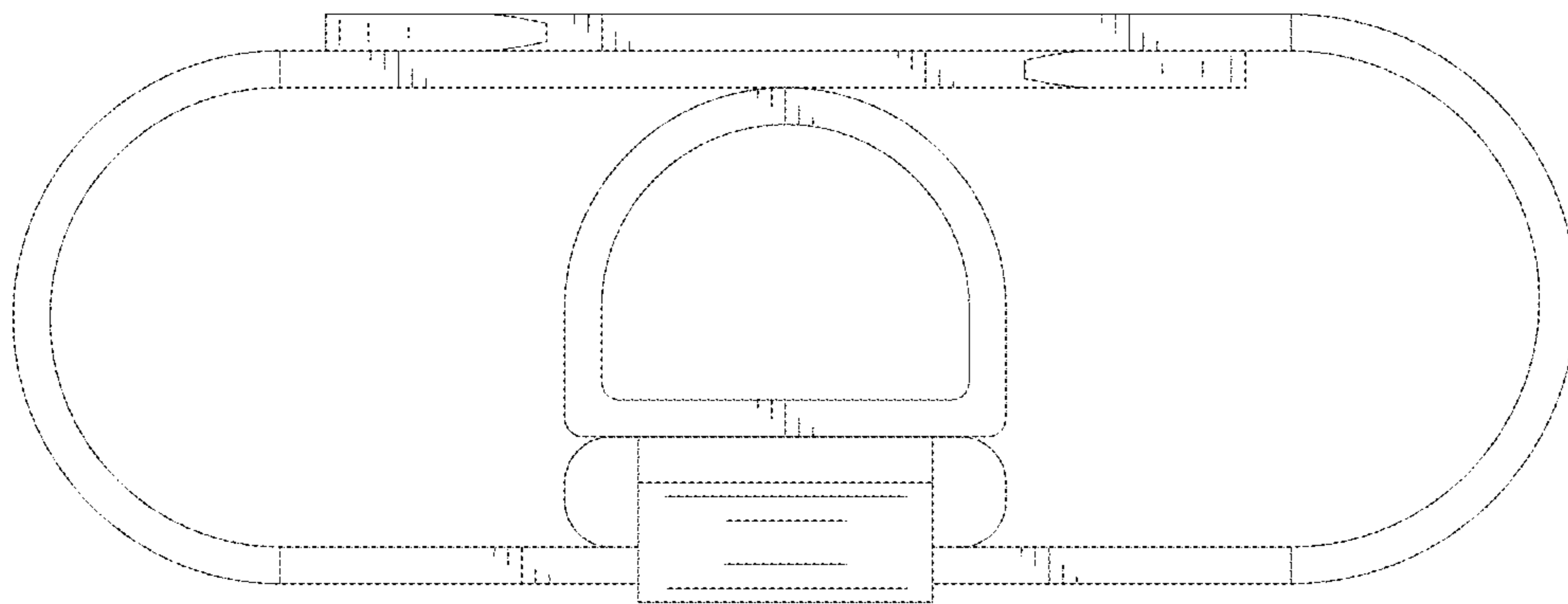


FIG.8