



US00D834201S

(12) **United States Design Patent** (10) **Patent No.:** **US D834,201 S**  
**Heinecke et al.** (45) **Date of Patent:** **\*\* Nov. 20, 2018**

(54) **MEDICAL DRESSING** D545,441 S \* 6/2007 Miyachika ..... D24/189  
D634,423 S 3/2011 Heinecke  
(71) Applicant: **3M INNOVATIVE PROPERTIES** D679,403 S \* 4/2013 Heinecke ..... D24/189  
**COMPANY**, Saint Paul, MN (US) (Continued)

(72) Inventors: **Steven B. Heinecke**, New Richmond, WI (US); **Richard L. Jacobson**, Stillwater, MN (US); **Guido Hitschmann**, Neuss (DE); **Krystal Jo Scheibel**, Minneapolis, MN (US)  
FOREIGN PATENT DOCUMENTS  
CN 103284838 9/2013  
JP 1060809 S 2/2000  
(Continued)

(73) Assignee: **3M INNOVATIVE PROPERTIES COMPANY**, Saint Paul, MN (US)  
OTHER PUBLICATIONS  
Carol Torgan. Battle of the Bands: Jawbone UP Vs. 3M Tegaderm Band-Aid. Aug. 30, 2013 [earliest online date], [site visited Aug. 3, 2018 ]. Available from Internet, <URL:http://caroltorgan.com/jawbone-up-vs-3m-tegaderm-band-aid/>. (Year: 2013).\*

(\*\*) Term: **15 Years**  
Primary Examiner — George D. Kirschbaum  
Assistant Examiner — Darcey E Heflin  
(21) Appl. No.: **29/621,488**  
(22) Filed: **Oct. 9, 2017**  
(74) Attorney, Agent, or Firm — 3M Innovative Properties Company; Trisha D. Adamson

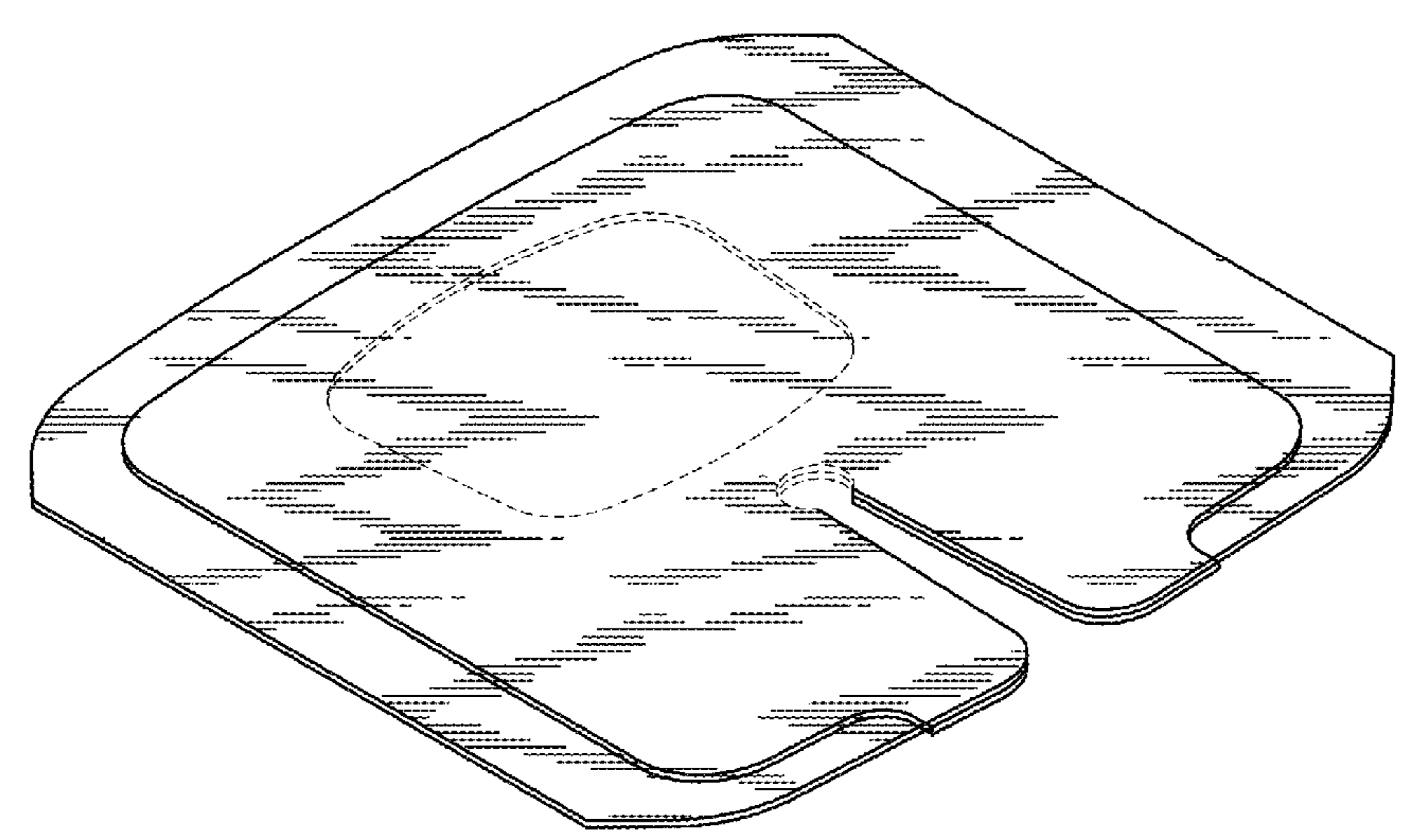
(51) **LOC (11) Cl.** ..... **24-04**  
(52) **U.S. Cl.**  
USPC ..... **D24/189**  
(57) **CLAIM**

(58) **Field of Classification Search**  
USPC ..... D24/124–128, 132, 133, 185–193, 199, D24/200, 206, 209, 210, 212–215; D29/100, 108, 121.1, 121.2; D30/146  
CPC .... A61F 13/023; A61F 15/008; A61F 15/004; A61F 2013/00646; A61M 2025/0246  
See application file for complete search history.  
The ornamental design for a medical dressing, as shown and described.

(56) **References Cited**  
**DESCRIPTION**  
U.S. PATENT DOCUMENTS  
FIG. 1 is a perspective view of the new design for a medical dressing;  
FIG. 2 is a top plan view thereof;  
FIG. 3 is a bottom plan view thereof;  
FIG. 4 is a right side view elevational view thereof;  
FIG. 5 is a left side elevational view thereof;  
FIG. 6 is a front elevational view thereof; and,  
FIG. 7 is a back elevational view thereof.

5,160,315 A 11/1992 Heinecke  
D377,529 S \* 1/1997 Nyqvist-Mayer ..... D24/189  
6,124,521 A 9/2000 Roberts  
6,169,224 B1 1/2001 Heinecke  
D458,687 S \* 6/2002 Dale ..... D24/189  
D473,947 S 4/2003 Jacobson  
6,685,682 B1 2/2004 Heinecke  
D515,701 S \* 2/2006 Horhota ..... D24/189  
D535,032 S \* 1/2007 Bendjy ..... D24/189  
In the drawings, the broken lines show portions of a medical dressing that form no part of the claim. In addition, the surface shading illustrated in the drawings is provided merely to highlight the contour of design; it is not intended to be illustrative of texture or gloss.

**1 Claim, 2 Drawing Sheets**



(56)

**References Cited**

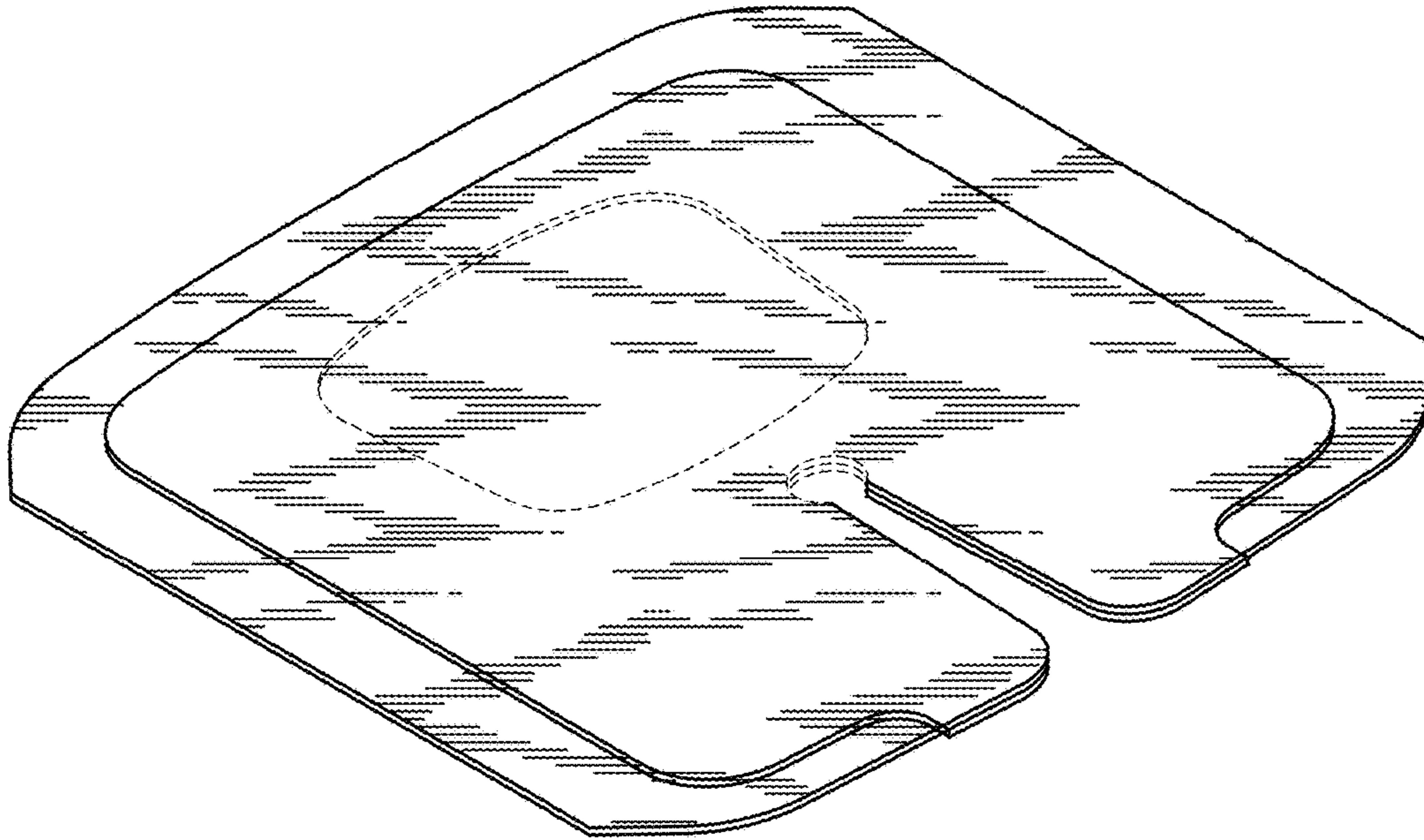
U.S. PATENT DOCUMENTS

D688,377	S	*	8/2013	Heinecke	.....	D24/189
D690,425	S	*	9/2013	Heinecke	.....	D24/189
D746,996	S	*	1/2016	Karlsson	.....	D24/189
D755,980	S	*	5/2016	Jakobsen	.....	D24/189
D783,840	S	*	4/2017	Counts	.....	D24/189
D790,714	S	*	6/2017	Addison	.....	D24/189
D804,677	S	*	12/2017	Ramires	.....	D24/189
2016/0015570	A1		1/2016	Heinecke		

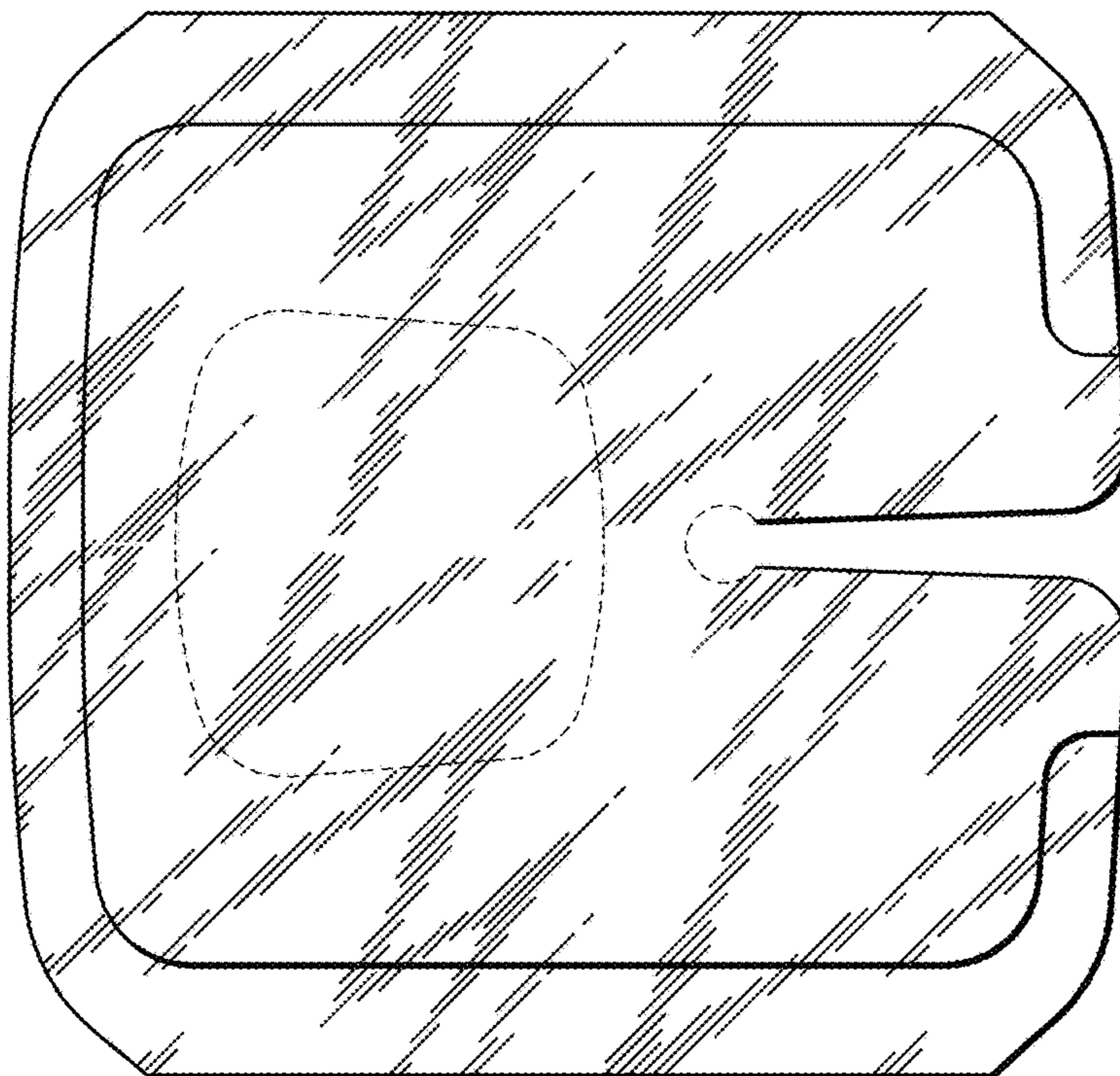
FOREIGN PATENT DOCUMENTS

JP		1495535	S	4/2014
WO	WO 2004-026389			4/2004

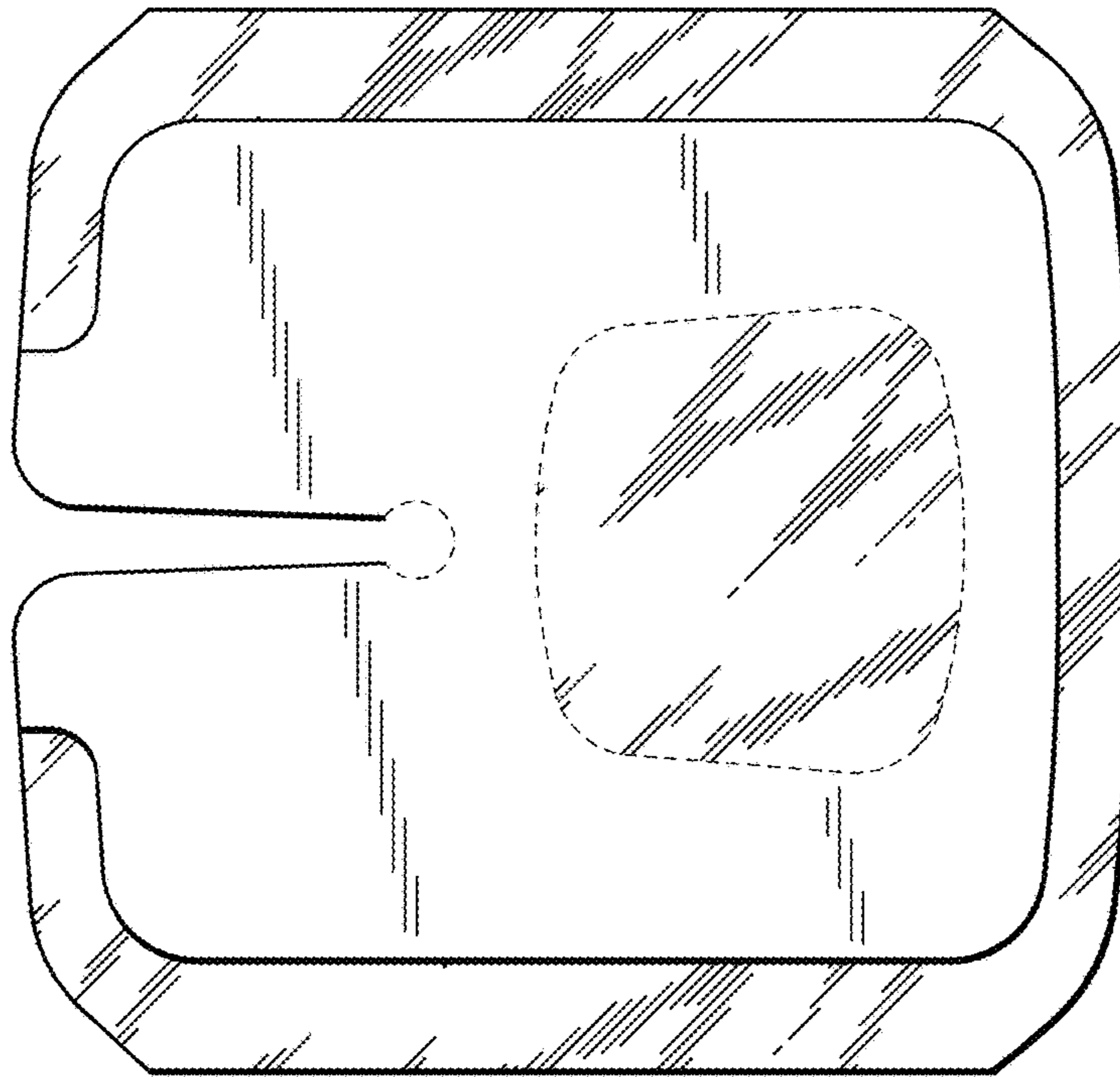
\* cited by examiner



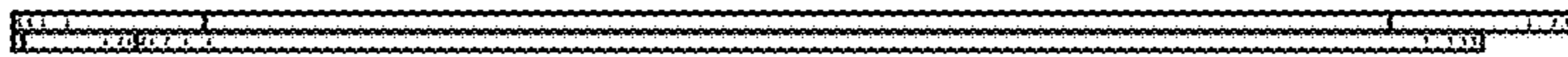
*FIG. 1*



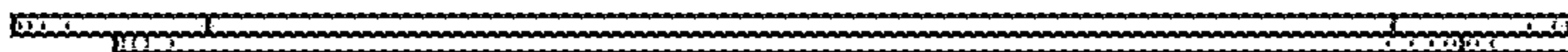
*FIG. 2*



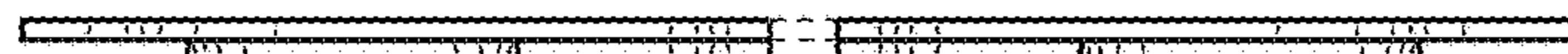
*FIG. 3*



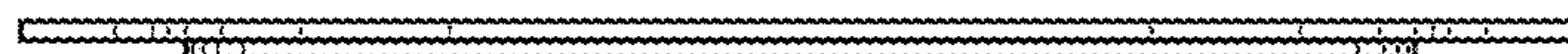
*FIG. 4*



*FIG. 5*



*FIG. 6*



*FIG. 7*