



US00D834200S

(12) **United States Design Patent** (10) **Patent No.:** **US D834,200 S**
Bates et al. (45) **Date of Patent:** **** Nov. 20, 2018**

(54) **APPARATUS FOR SLEEP INFORMATION DETECTION**

FOREIGN PATENT DOCUMENTS

(71) Applicant: **ResMed Sensor Technologies Limited**,
Dublin (IE)

WO 2007143535 A2 12/2007
WO 2008057883 A2 5/2008
(Continued)

(72) Inventors: **Mathew Bates**, Bray (IE); **Lukas Fuchs**, Bray (IE); **Ganesh Kumar Sukumar**, Chennai (IN); **Buvenesh Balaji Ramachandran**, Chennai (IN); **Kieran Conway**, Clane (IE); **Stephen McMahon**, Dublin (IE); **Dominic Southgate**, Dublin (IE)

OTHER PUBLICATIONS

International Search Report and Written Opinion for Application No. PCT/US2014/045814 dated Dec. 31, 2014.
(Continued)

(73) Assignee: **ResMed Sensor Technologies Limited** (AU)

Primary Examiner — Anhdao Doan
(74) *Attorney, Agent, or Firm* — Botos Churchill IP Law LLP

(**) Term: **15 Years**

(57) **CLAIM**
The ornamental design for an apparatus for sleep information detection, as shown and described.

(21) Appl. No.: **29/571,330**

DESCRIPTION

(22) Filed: **Jul. 18, 2016**

Related U.S. Application Data

(62) Division of application No. 29/490,436, filed on May 9, 2014, now Pat. No. Des. 765,256.

(51) **LOC (11) Cl.** **24-01**

(52) **U.S. Cl.**
USPC **D24/186**

(58) **Field of Classification Search**
USPC D24/165–168, 186, 187, 107, 200;
D10/70, 75, 97, 98; 600/301, 382–384,
(Continued)

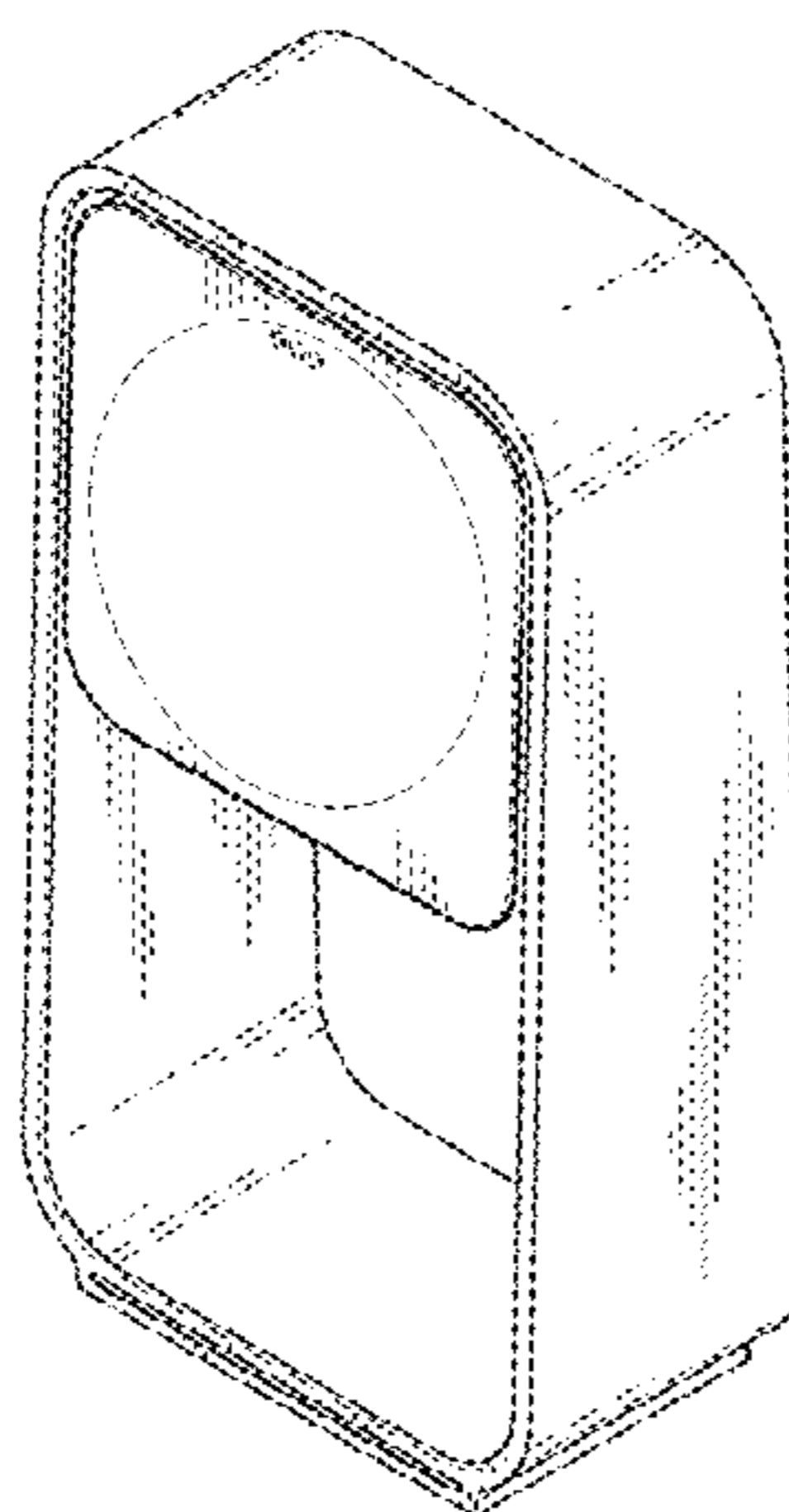
FIG. 1 is a top, front and left side perspective view of apparatus for sleep information detection with a detection module and a stand for the detection module;
FIG. 2 is a front elevation view of the apparatus for sleep information detection of FIG. 1;
FIG. 3 is a rear elevation view of the apparatus for sleep information detection of FIG. 1;
FIG. 4 is a top, front and left side perspective view of the detection module of FIG. 1;
FIG. 5 is a top, rear and right side perspective view of the detection module of FIG. 4;
FIG. 6 is a front elevation view of the detection module of FIG. 4;
FIG. 7 is a rear elevation view of the detection module of FIG. 4;
FIG. 8 is a top, front and left side perspective view of a version of a stand of the apparatus for sleep information detection of FIG. 1 such as for a detection module;
FIG. 9 is a front elevation view of the stand of FIG. 8; and,
FIG. 10 is a rear elevation view of the stand of FIG. 8.
The broken lines immediately adjacent to the shaded areas represent the bounds of the claim, while all other broken

(56) **References Cited**

U.S. PATENT DOCUMENTS

D443,931 S 6/2001 Davey
6,468,234 B1 10/2002 Van der Loos et al.
(Continued)

(Continued)



lines are directed to environment and are included for illustrative purposes only. The broken lines form no part of the claimed design.

1 Claim, 5 Drawing Sheets

(58) **Field of Classification Search**

USPC 600/386, 390, 483, 500–503, 508, 509, 600/513

CPC A61B 5/4809; A61B 5/4812

See application file for complete search history.

(56)

References Cited

U.S. PATENT DOCUMENTS

D598,551 S 8/2009 Miwa et al.
D603,515 S * 11/2009 Blackwell D24/164
D605,305 S 12/2009 Carter
8,398,546 B2 3/2013 Pacione et al.
D679,800 S * 4/2013 Gusky D24/110
D693,710 S * 11/2013 Bachel D10/70

D700,343 S 2/2014 Liu
D707,827 S 6/2014 Tseng et al.
D724,970 S 3/2015 Hasegawa et al.
D731,906 S * 6/2015 Troutman D10/70
D753,313 S * 4/2016 Kim D24/186
2010/0099954 A1 4/2010 Dickinson et al.
2010/0102971 A1 4/2010 Virtanen et al.
2011/0015495 A1 1/2011 Dothie et al.
2011/0230790 A1 9/2011 Kozlov
2012/0296156 A1 11/2012 Auphan
2013/0310662 A1 11/2013 Tsutsumi et al.
2014/0024917 A1 1/2014 McMahan et al.

FOREIGN PATENT DOCUMENTS

WO 2010036700 A1 4/2010
WO 2010098836 A2 9/2010

OTHER PUBLICATIONS

Supplementary European Search Report for Application No. EP14823491 dated Feb. 3, 2017.

* cited by examiner

Fig. 1

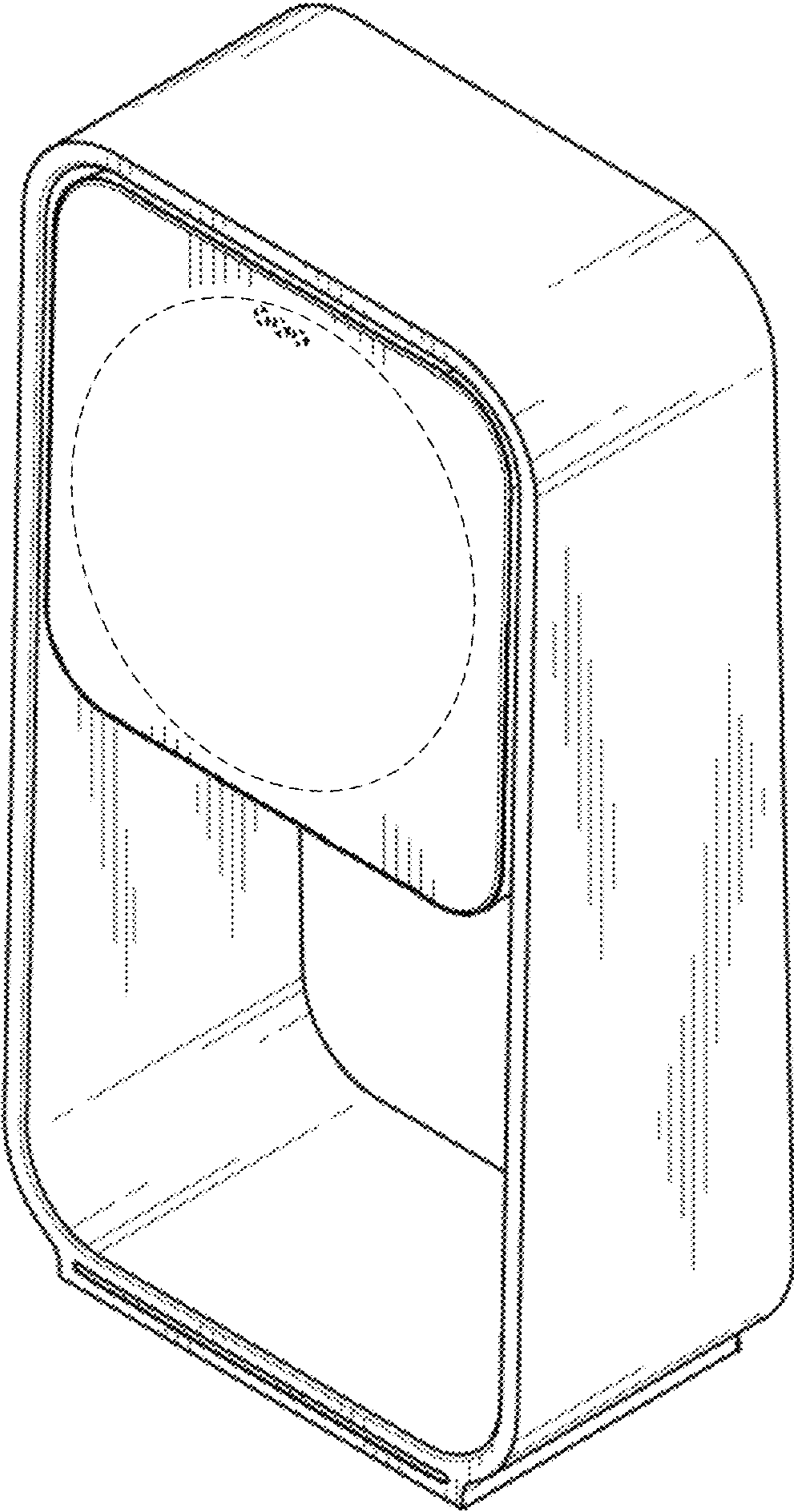


Fig. 2

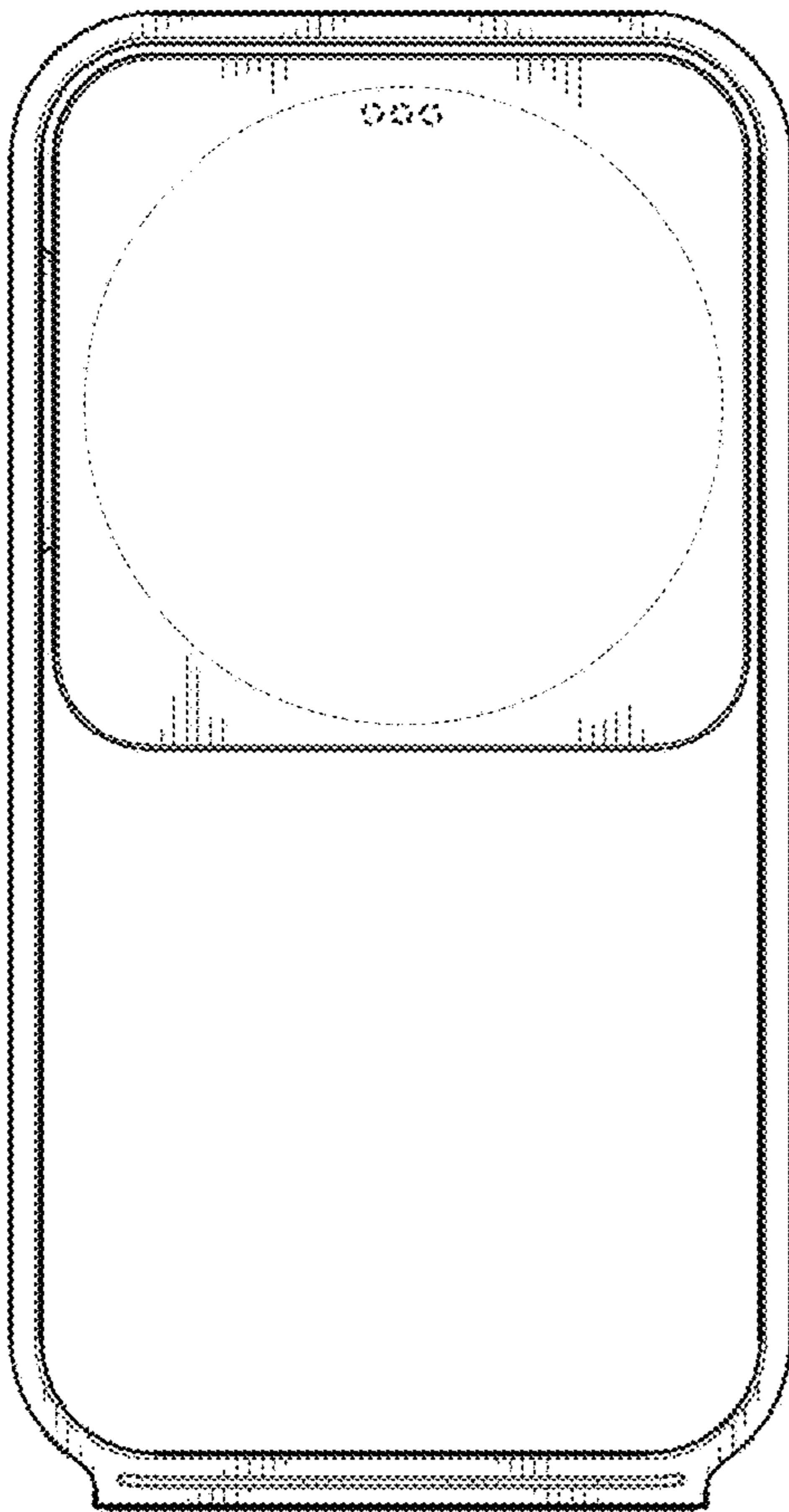


Fig. 3

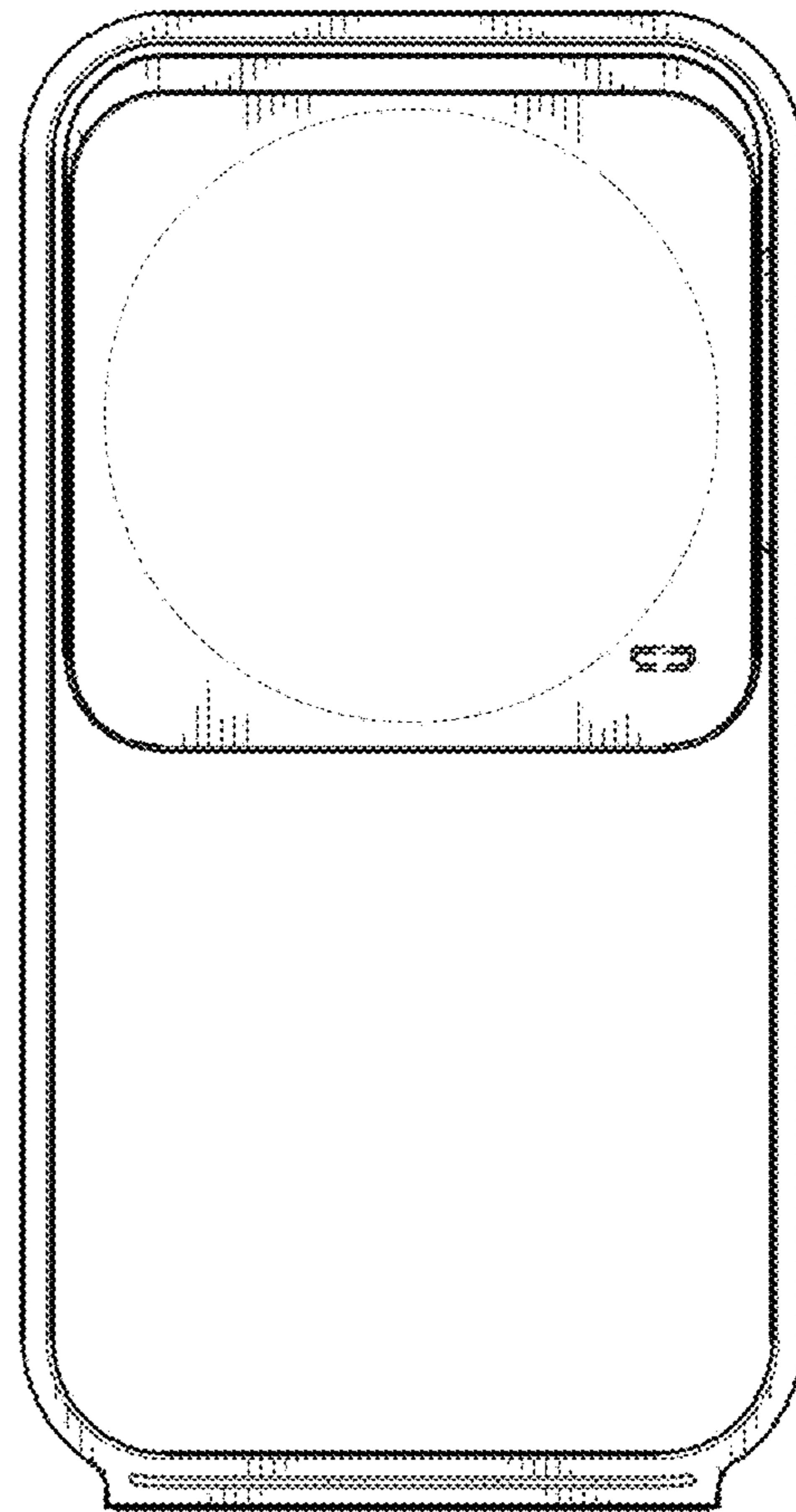


Fig. 4

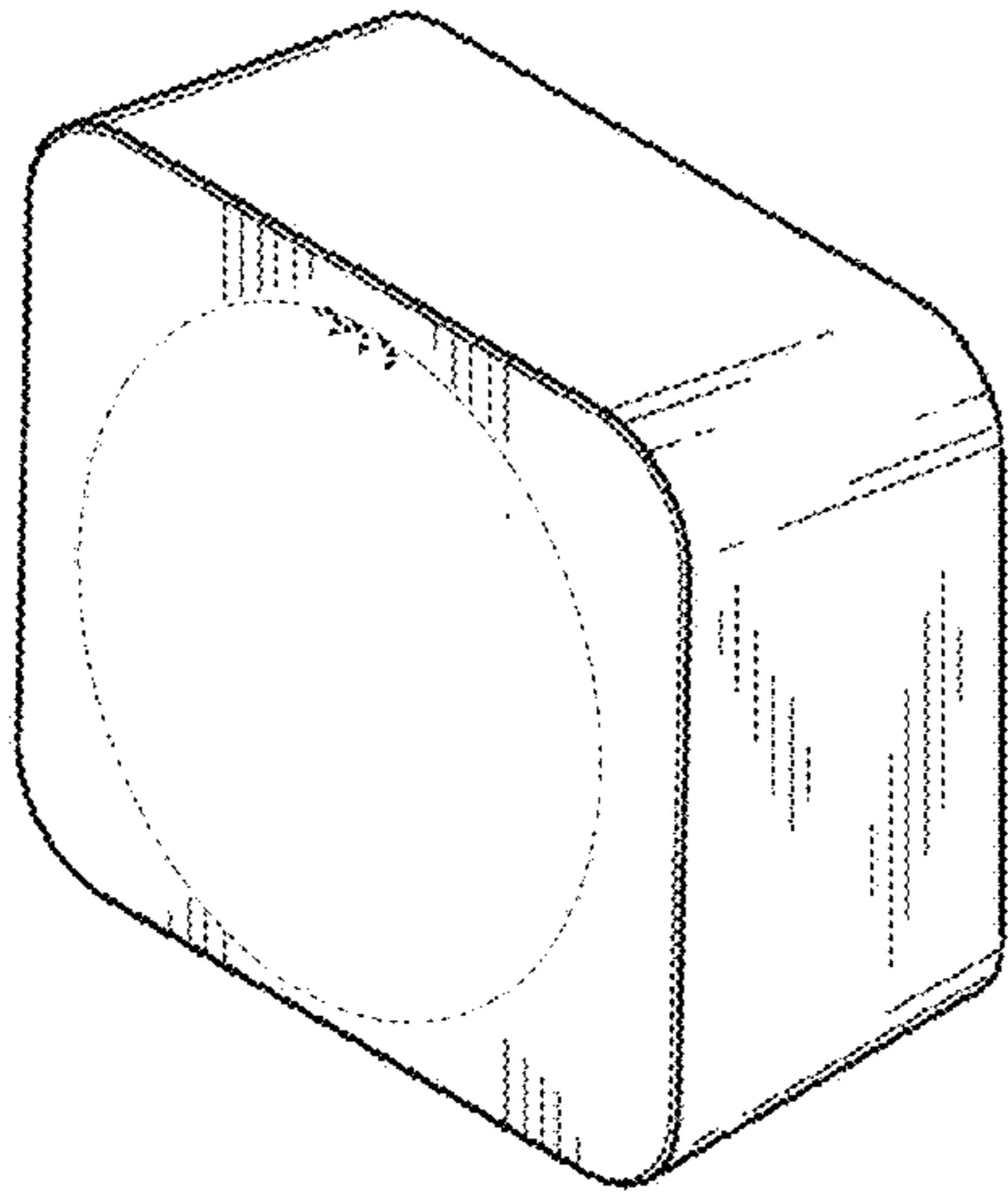


Fig. 5

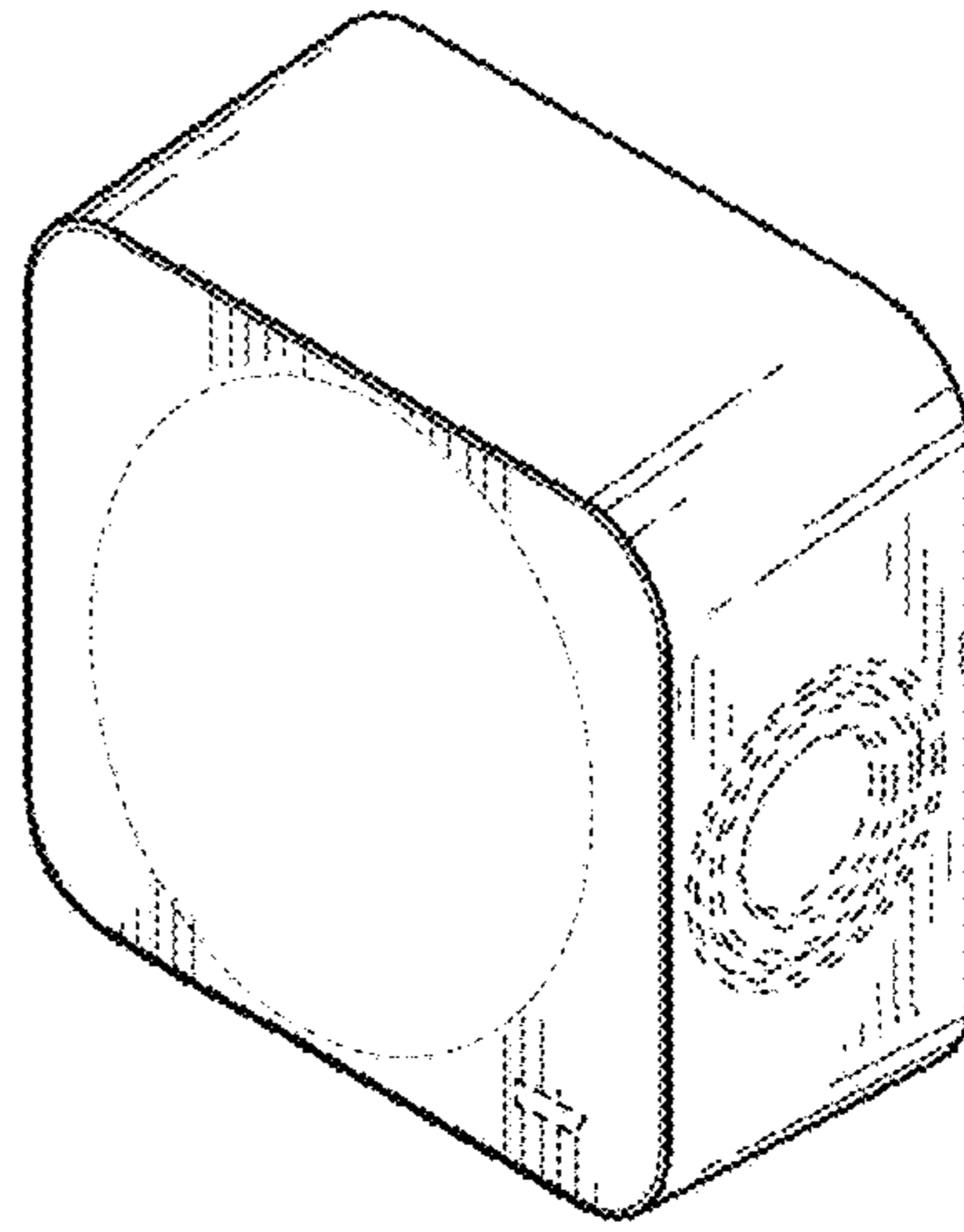


Fig. 6

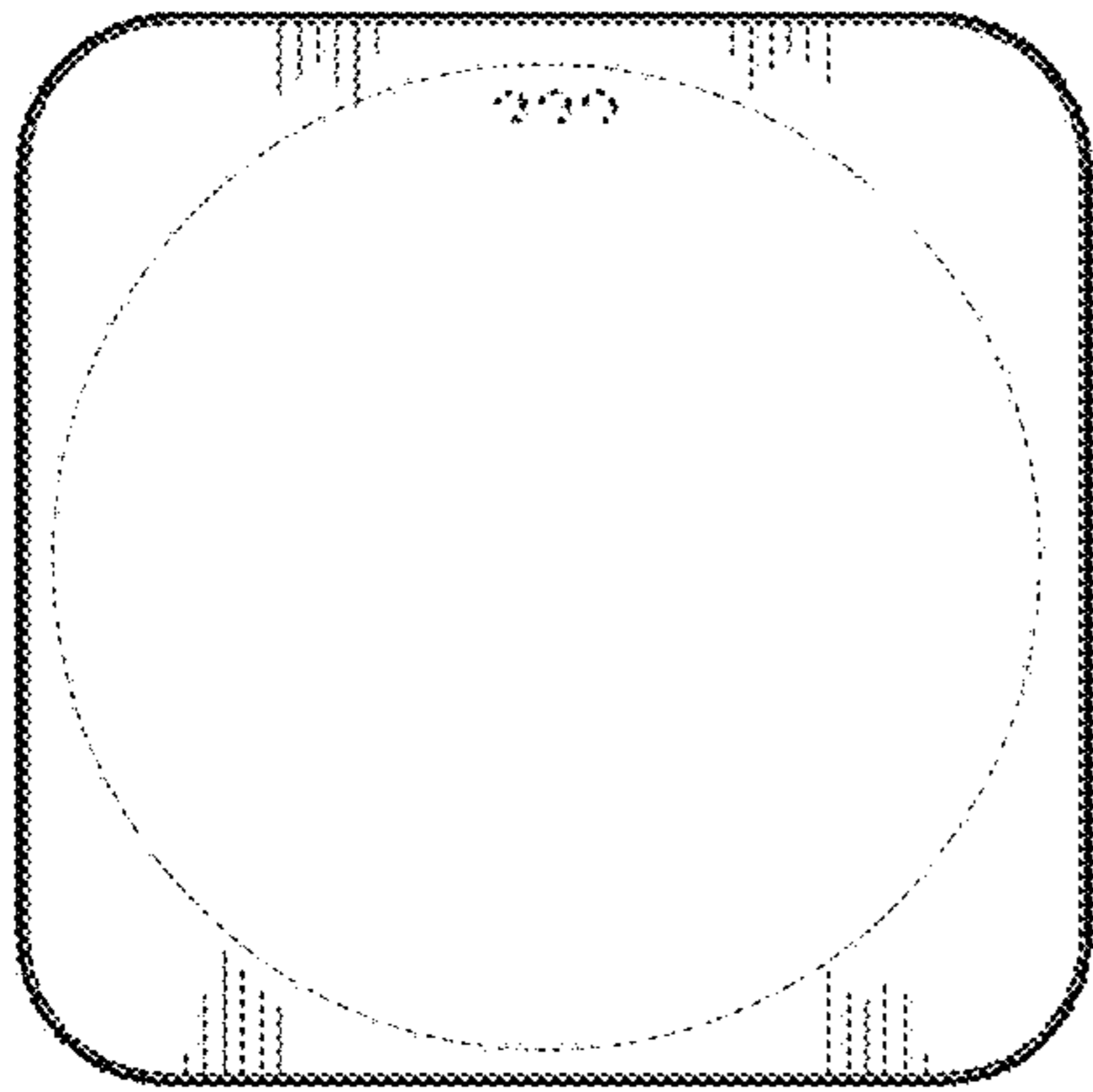


Fig. 7

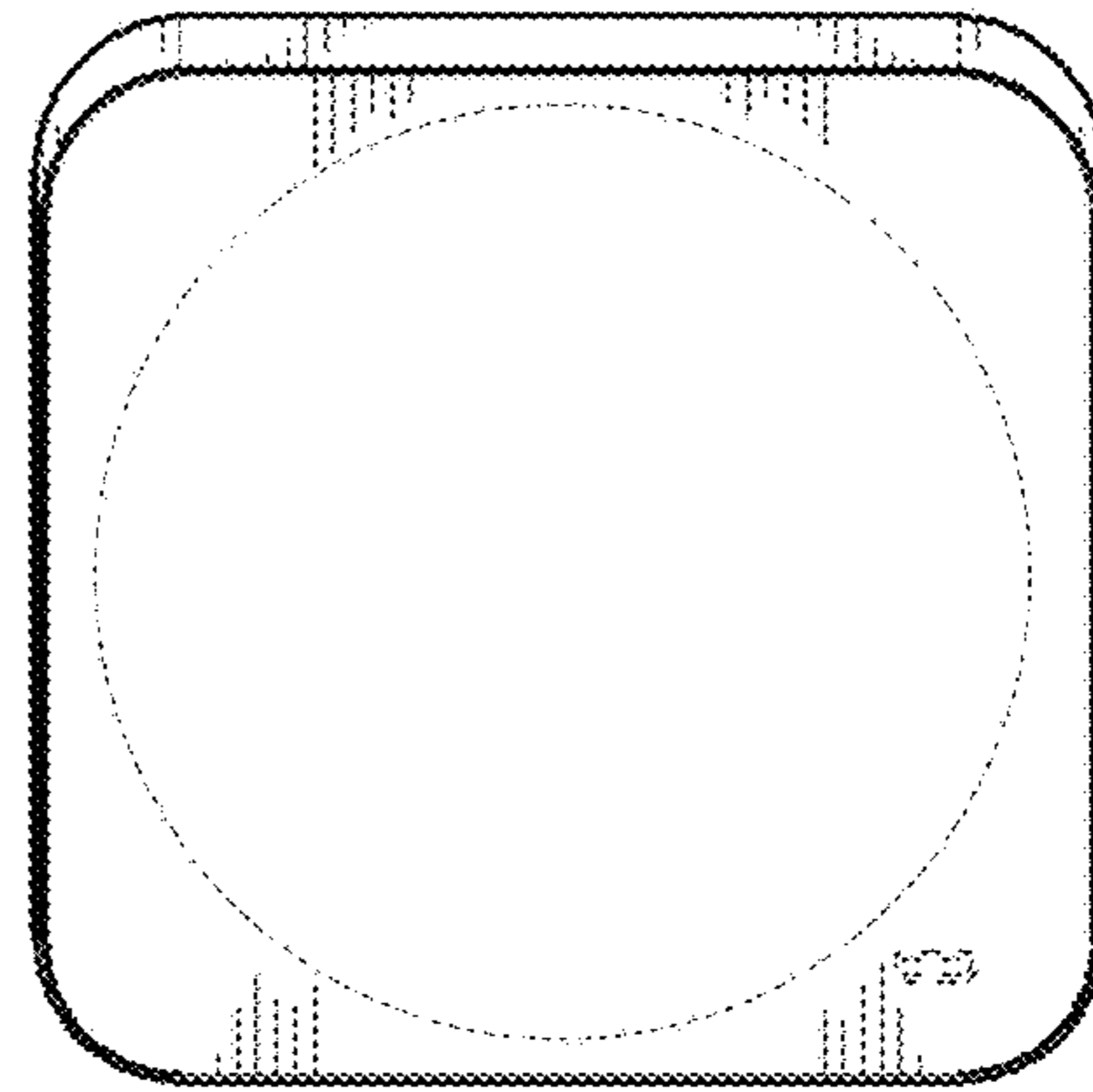


Fig. 8

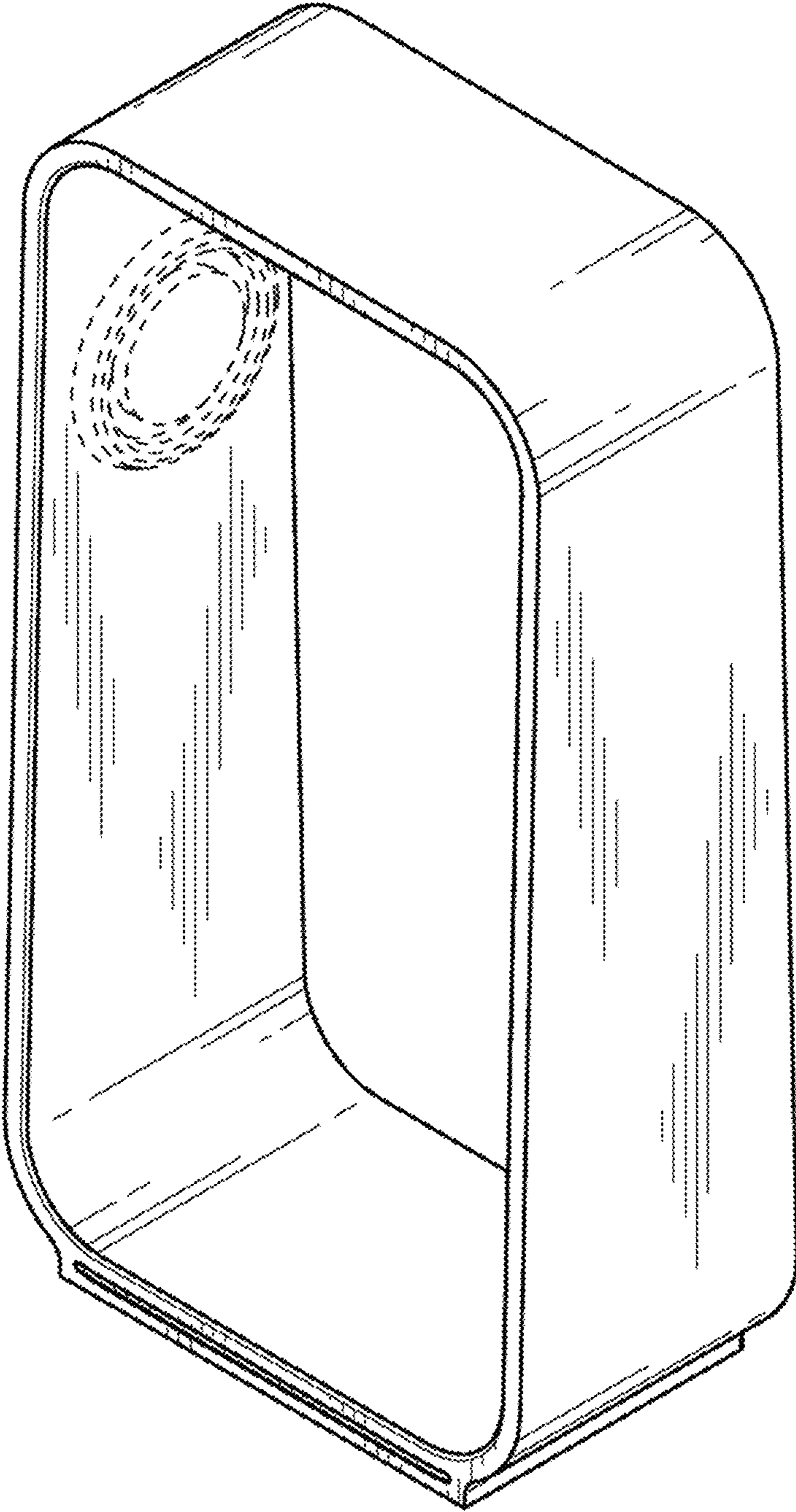


Fig. 9

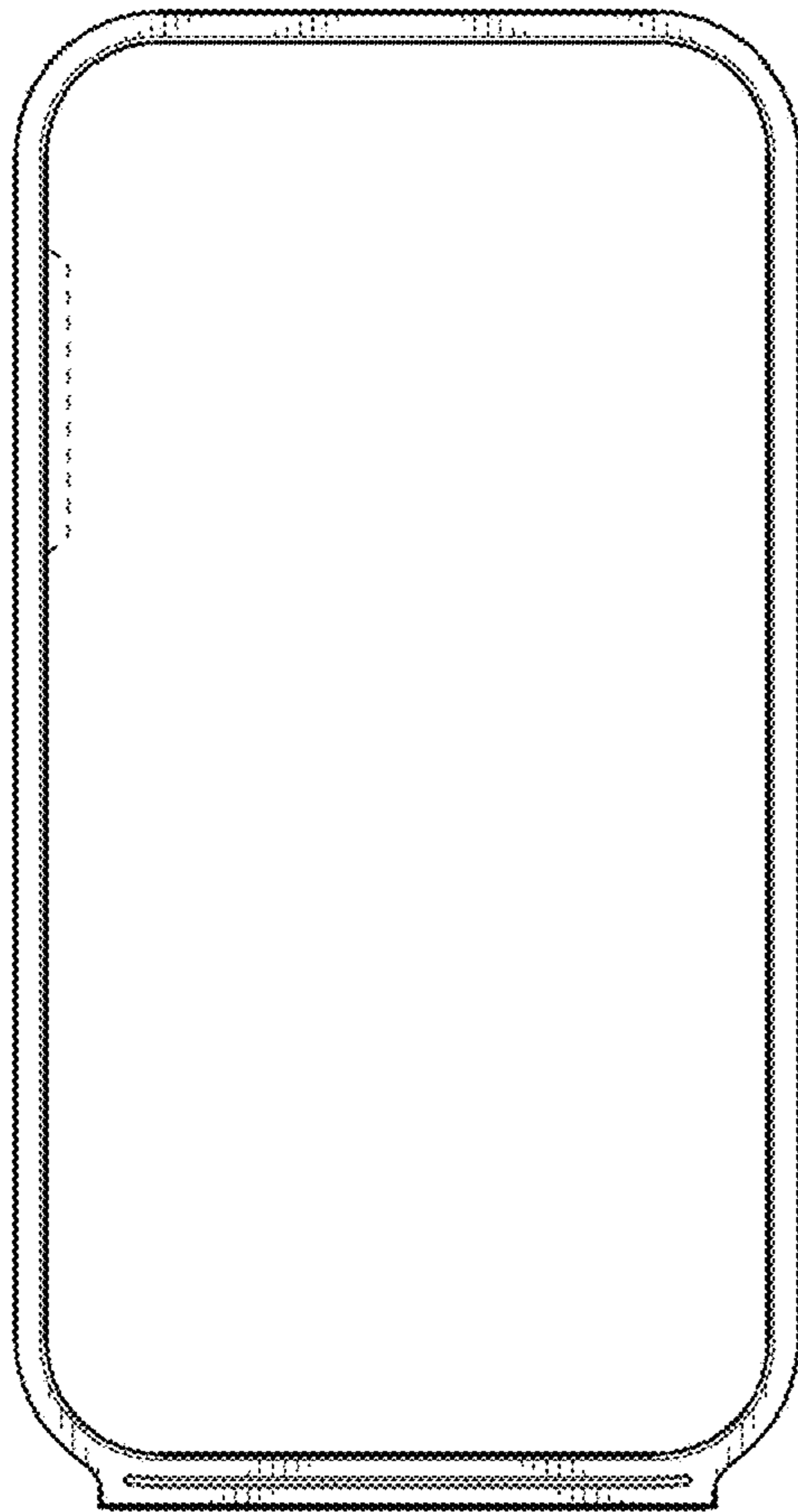


Fig. 10

