

US00D834199S

(12) **United States Design Patent**  
**Kuzlik**

(10) **Patent No.:** **US D834,199 S**

(45) **Date of Patent:** **\*\* Nov. 20, 2018**

(54) **MOTORIZED MEDICAL BED**

(71) Applicant: **Diana Jeanne Kuzlik**, Orland Park, IL  
(US)

(72) Inventor: **Diana Jeanne Kuzlik**, Orland Park, IL  
(US)

(\*\*) Term: **15 Years**

(21) Appl. No.: **29/620,030**

(22) Filed: **May 26, 2016**

(51) **LOC (11) Cl.** ..... **24-01**

(52) **U.S. Cl.**  
USPC ..... **D24/183**

(58) **Field of Classification Search**  
USPC ..... D24/183-185, 200, 158-159; D6/336,  
D6/337, 345, 369, 367, 387, 418, 428,  
D6/595, 596, 601, 604, 605; D21/397,  
D21/341  
CPC . A47B 9/10; A61D 3/00; A61G 13/04; A61G  
13/06; A61B 6/0457; A61B 6/04  
See application file for complete search history.

(56) **References Cited**

**U.S. PATENT DOCUMENTS**

D247,312 S \* 2/1978 Zeiss ..... D24/215  
D441,451 S \* 5/2001 Tumey ..... D24/183

D445,506 S \* 7/2001 Vinson ..... D24/183  
D446,305 S \* 8/2001 Buchanan ..... D24/183  
D449,953 S \* 11/2001 Mixon ..... D24/183  
D476,517 S \* 7/2003 Davis ..... D6/601  
6,748,615 B1 \* 6/2004 Tiedemann ..... B60N 2/882  
5/640  
D593,352 S \* 6/2009 Sherwin ..... D6/601  
7,628,456 B1 \* 12/2009 Swartz ..... A47C 7/383  
297/393  
D686,025 S \* 7/2013 Blazure ..... D6/601

\* cited by examiner

*Primary Examiner* — Zenia I Bennett

(57) **CLAIM**

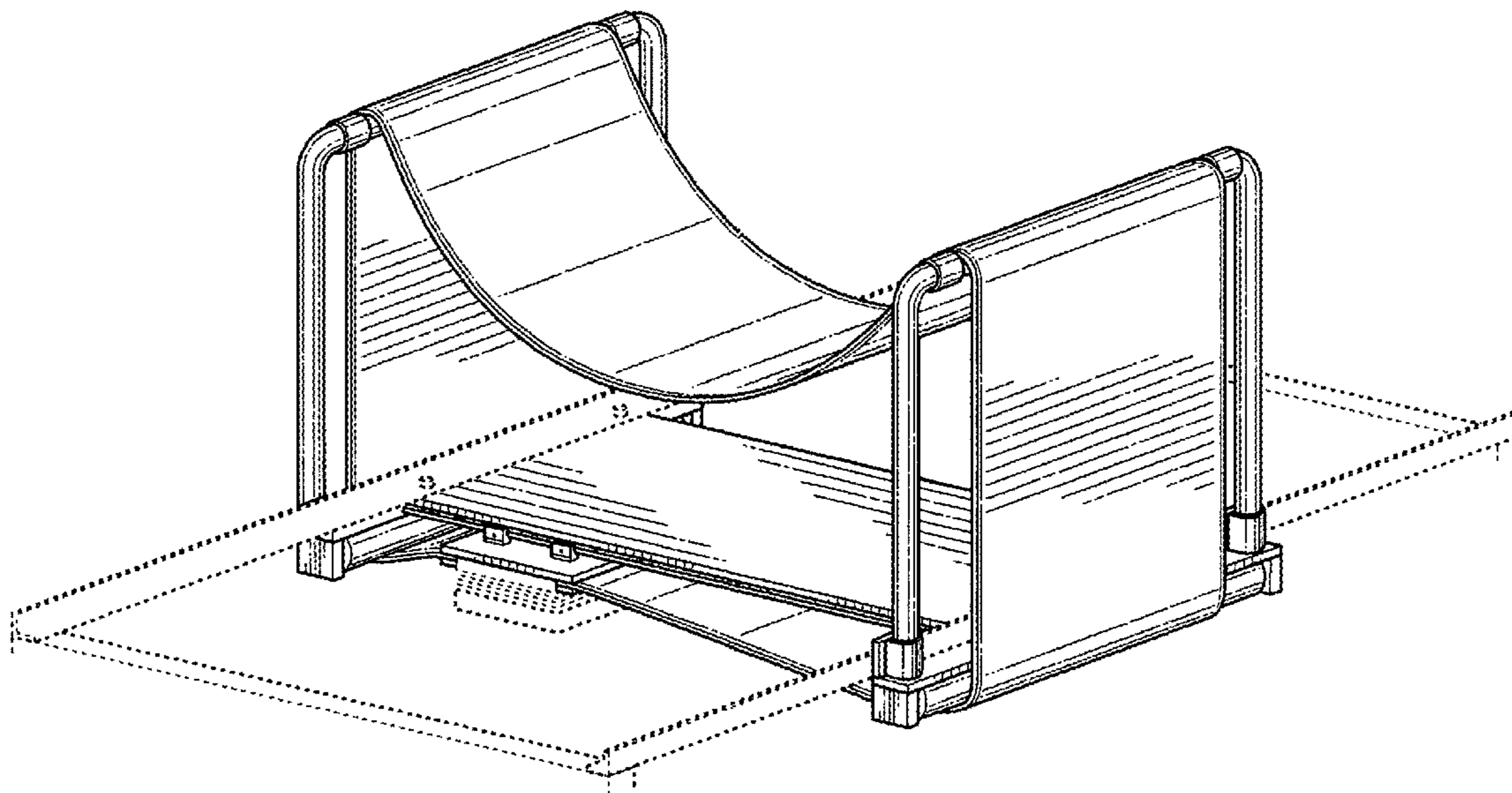
The ornamental design for a motorized medical bed, as shown and described.

**DESCRIPTION**

FIG. 1 is a perspective view;  
FIG. 2 is a front view;  
FIG. 3 is a rear view;  
FIG. 4 is a right side view;  
FIG. 5 is a left side view;  
FIG. 6 is a top view; and,  
FIG. 7 is a bottom view.

The broken lines in the drawing depicting portions of the motorized medical bed are for illustrative purposes only and form no part of the claimed design.

**1 Claim, 7 Drawing Sheets**



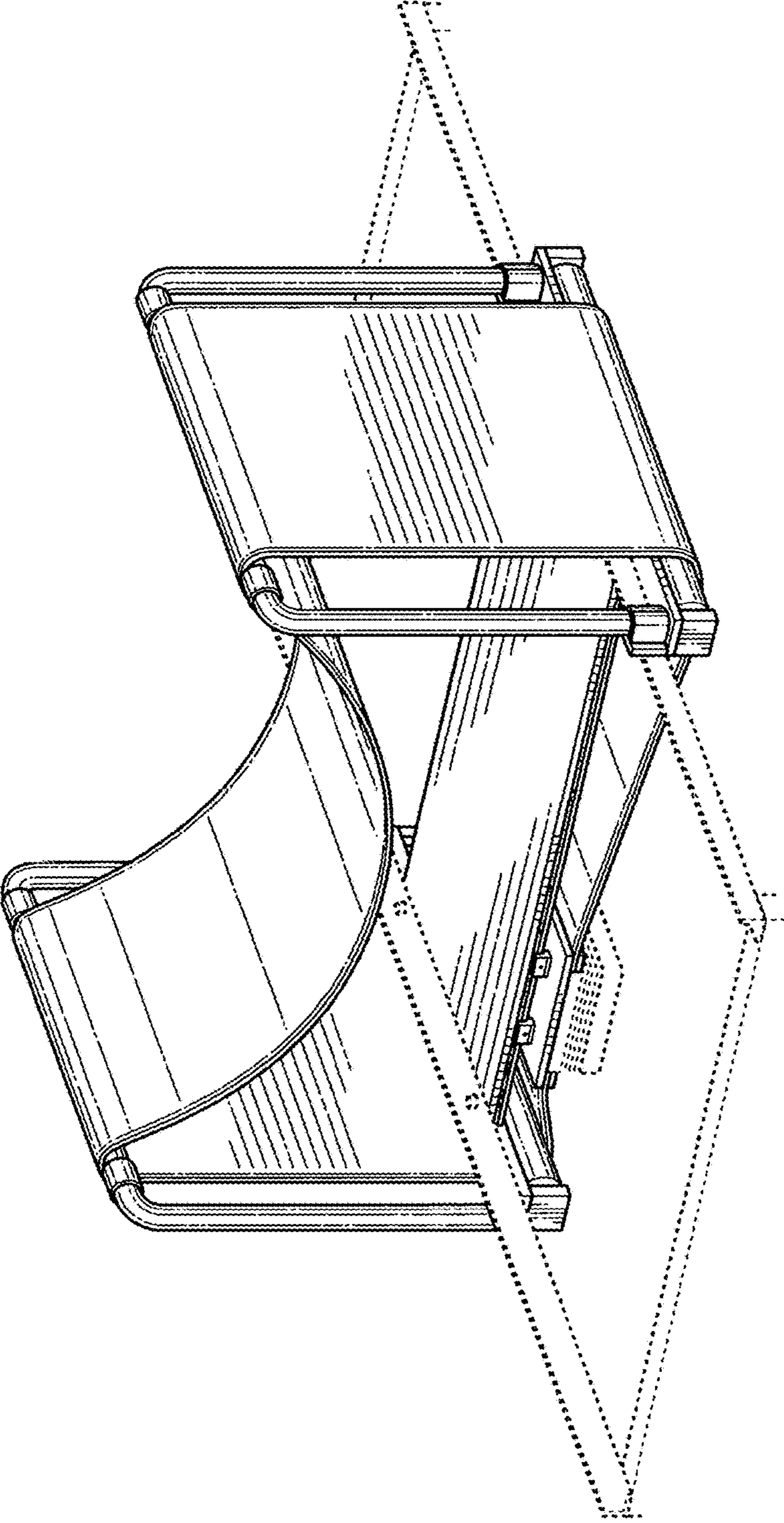


FIG. 1

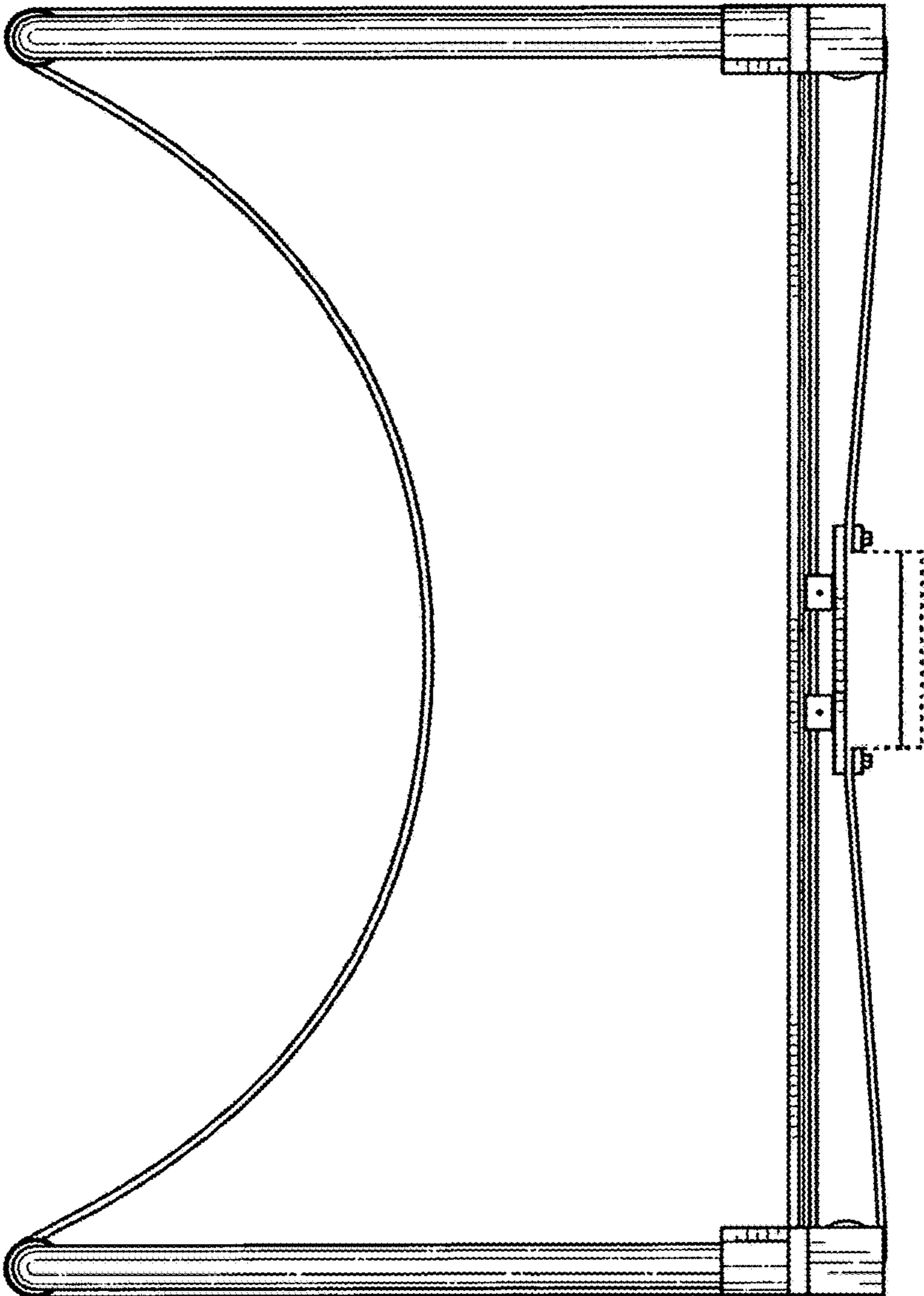


FIG. 2

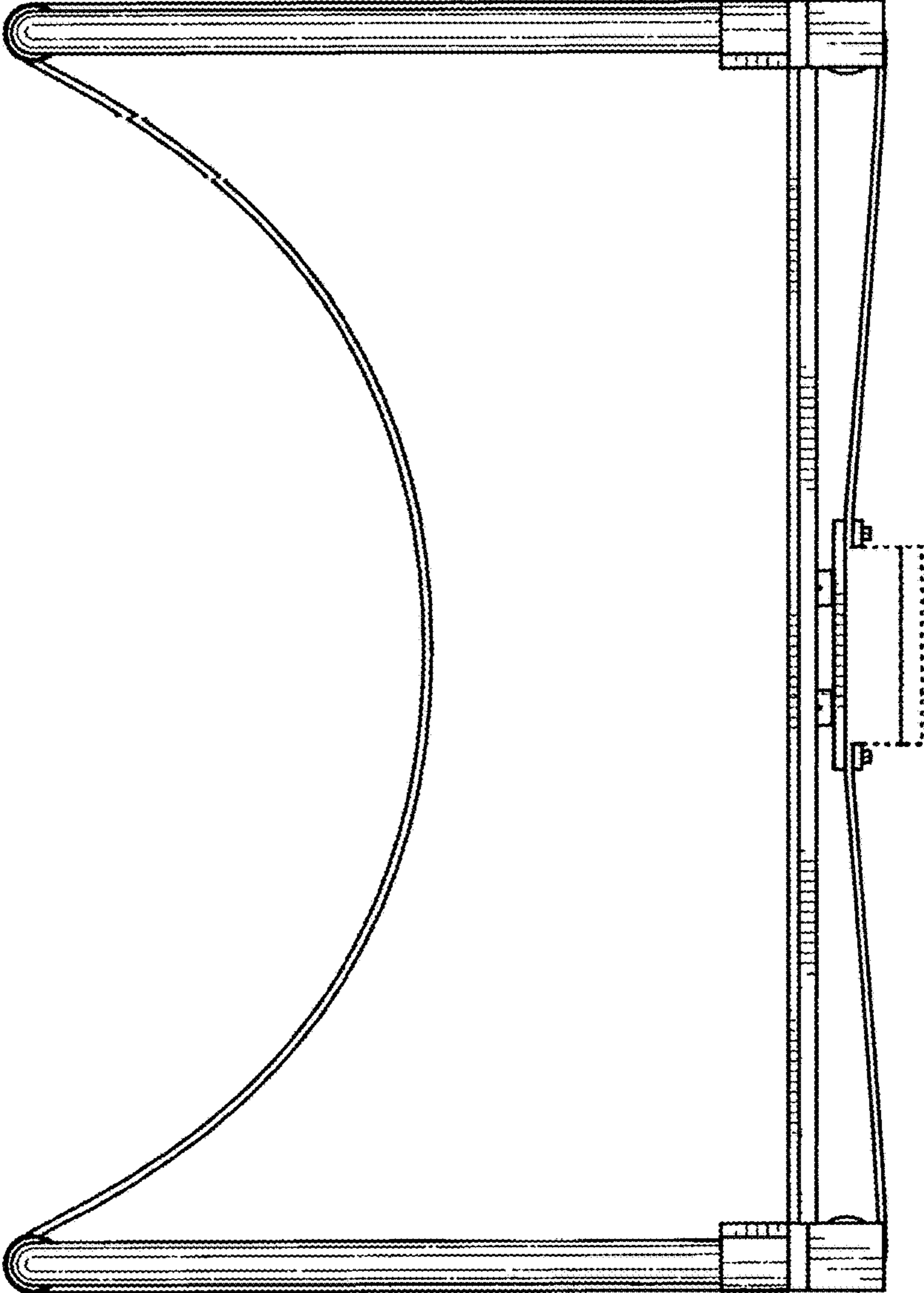


FIG. 3

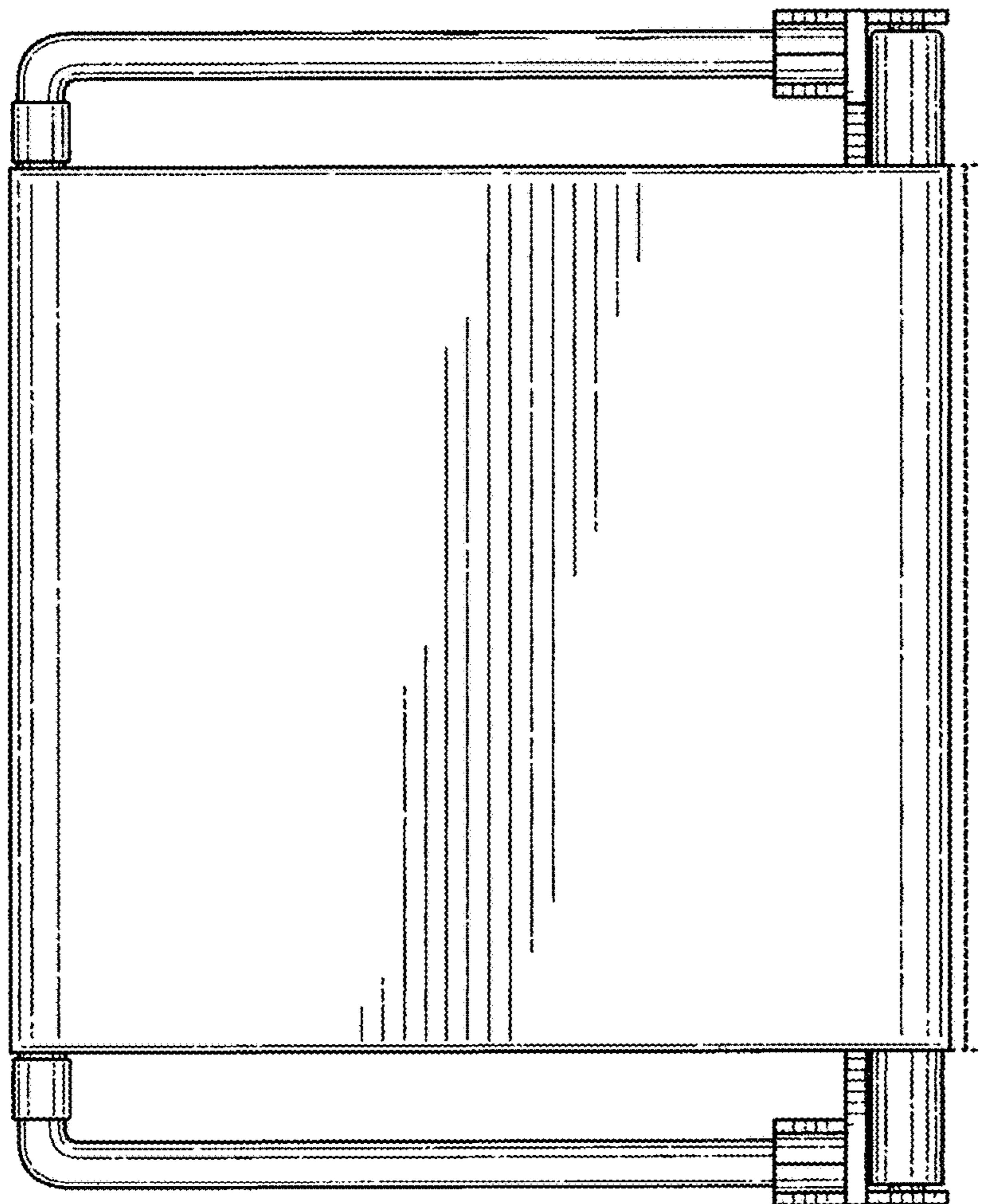


FIG. 4

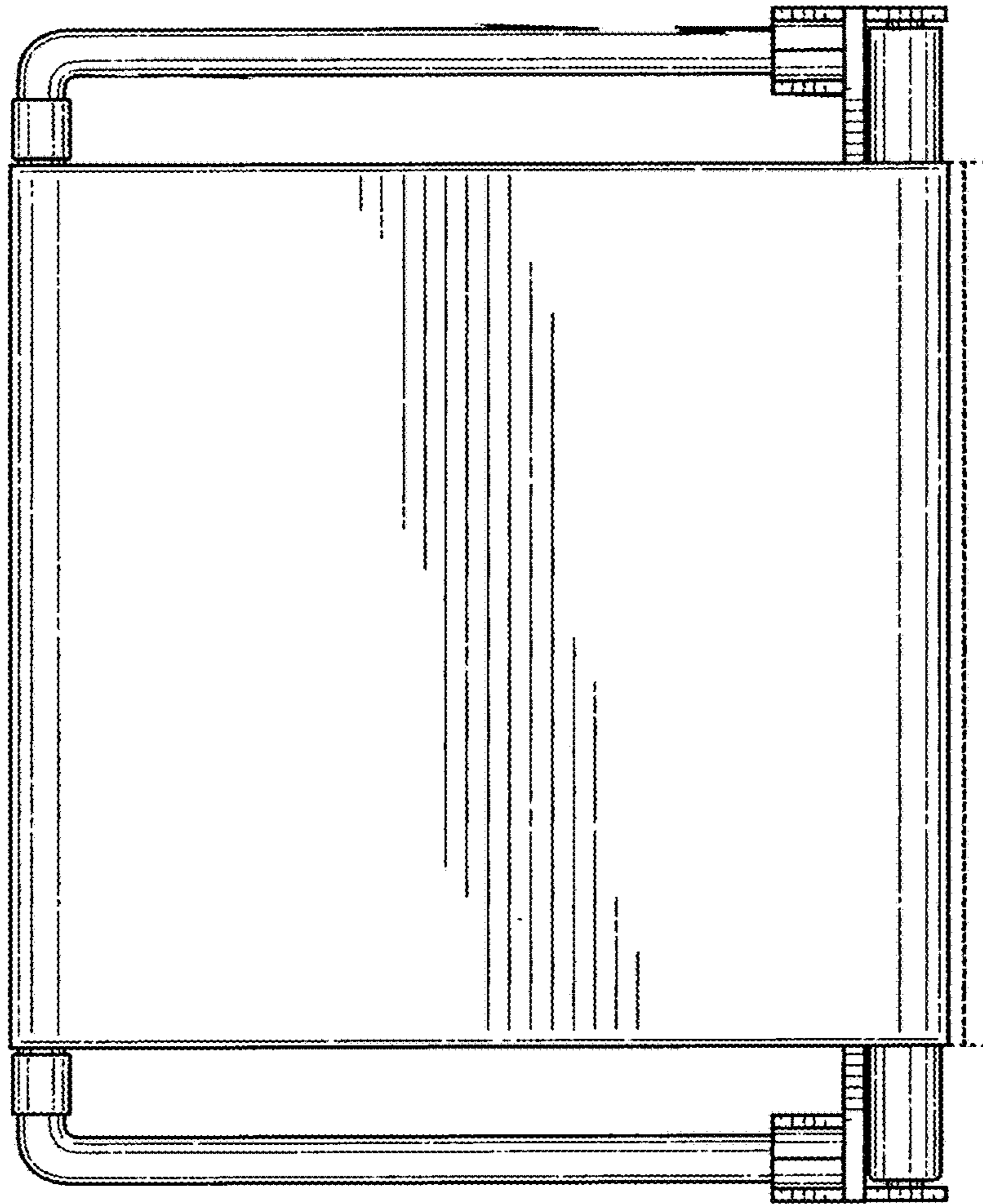


FIG. 5

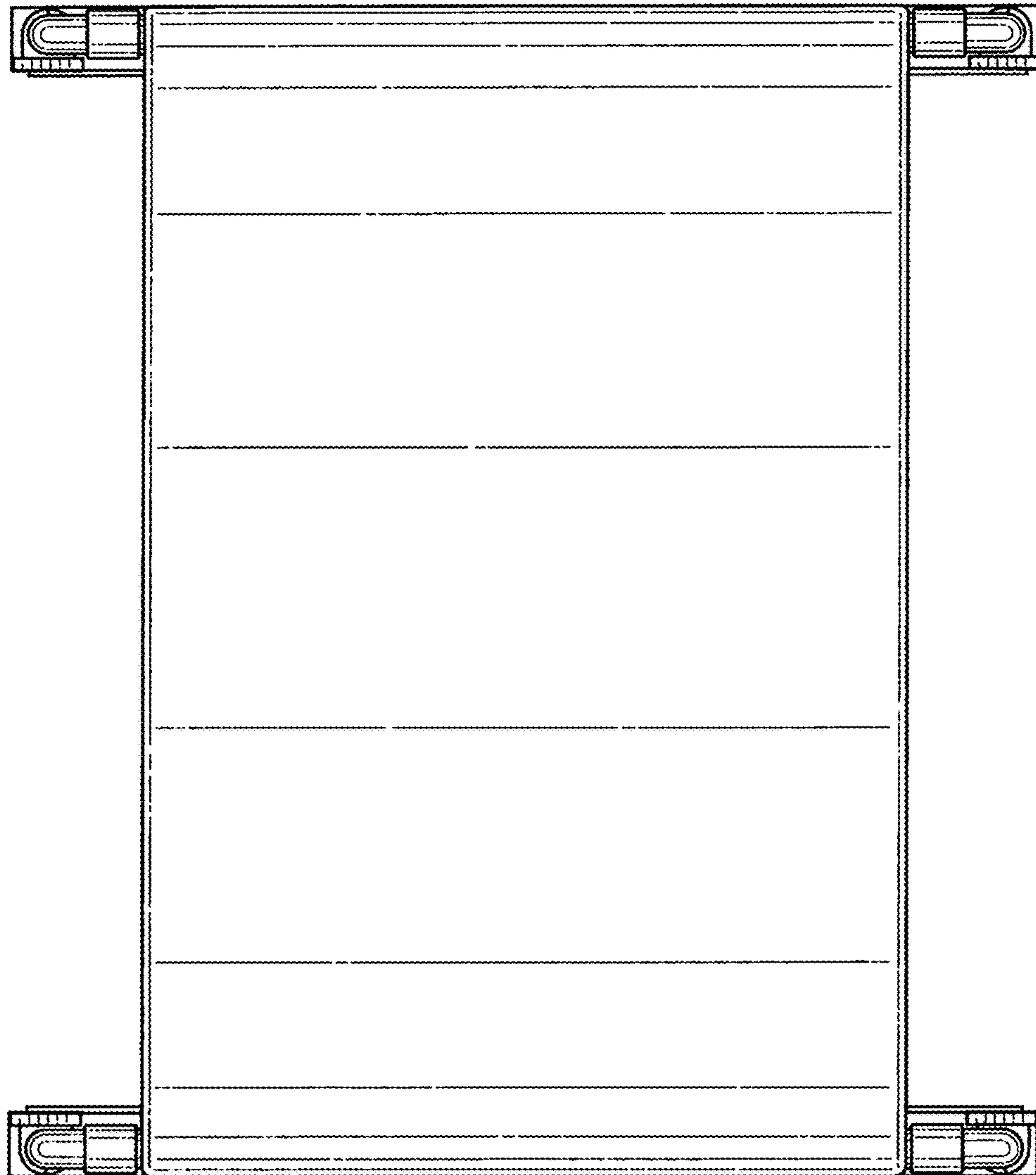


FIG. 6

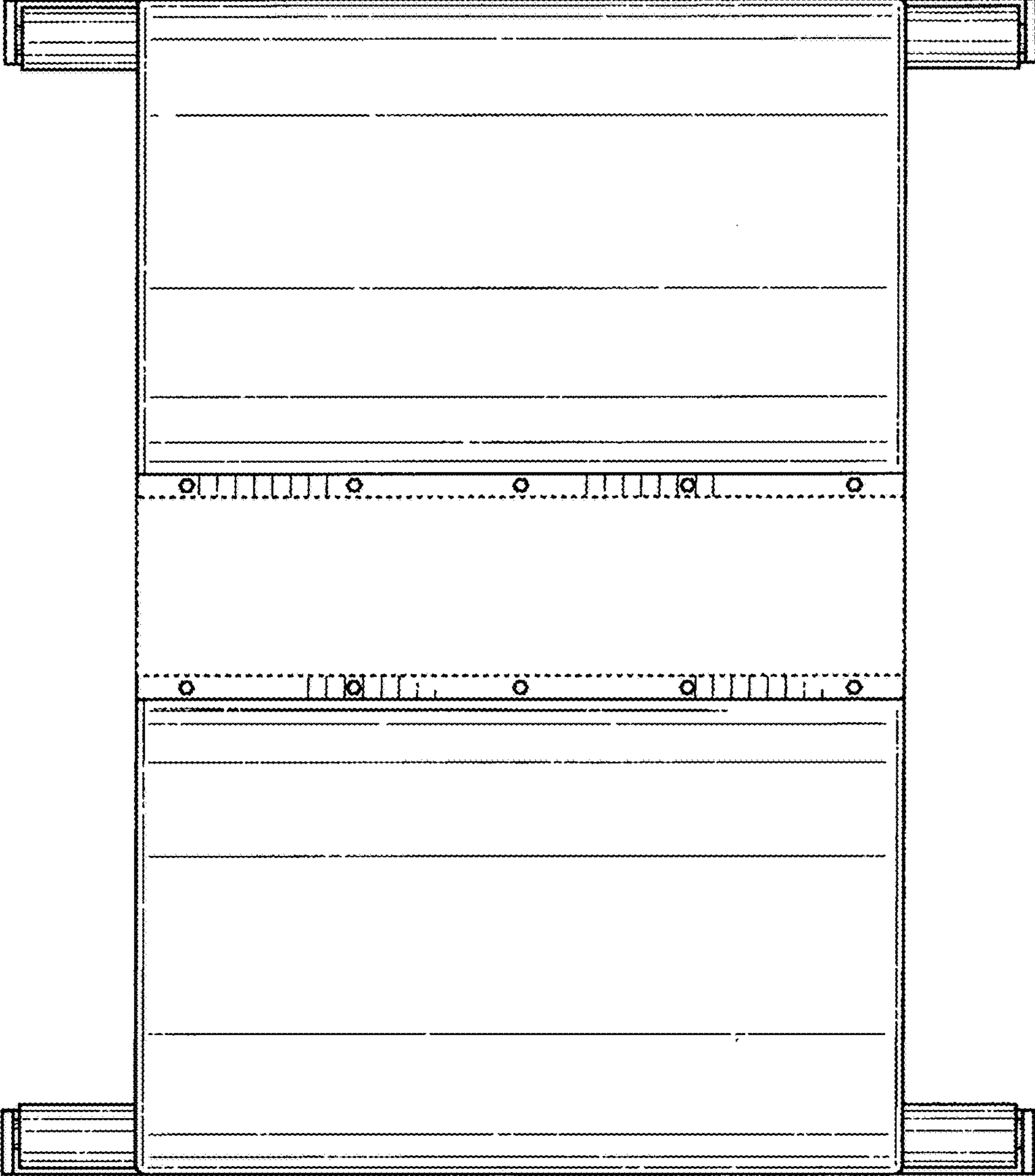


FIG. 7