



US00D834198S

(12) **United States Design Patent** (10) **Patent No.:** **US D834,198 S**
Shi et al. (45) **Date of Patent:** **** Nov. 20, 2018**

(54) **MEDICAL BED**
(71) Applicant: **VINNO TECHNOLOGY (SUZHOU) CO., LTD.**, Suzhou, Jiangsu Province (CN)
(72) Inventors: **Boai Shi**, Suzhou (CN); **Shui Xi**, Suzhou (CN); **Hui ren Chen**, Suzhou (CN); **Nicola Butti**, Suzhou (CN)
(73) Assignee: **VINNO TECHNOLOGY (SUZHOU) CO., LTD.**, Suzhou, Jiangsu Province (CN)

D207,081 S * 2/1967 Katzfey et al. D24/183
D231,410 S * 4/1974 Prange D12/132
D298,170 S * 10/1988 Masuda D24/183
D403,524 S * 1/1999 Dotson D6/382
D409,751 S * 5/1999 Kemp D24/183
D512,149 S * 11/2005 Bochner D24/185
D583,952 S * 12/2008 Genelli D24/183
D583,953 S * 12/2008 Genelli D24/183
D620,276 S * 7/2010 Miller D6/406.2
8,100,061 B2 * 1/2012 Hookway A47B 23/046
108/26
D801,072 S * 10/2017 Miller D6/406.2
D804,038 S * 11/2017 Christensen D24/183

(Continued)

(**) Term: **15 Years**
(21) Appl. No.: **29/617,624**
(22) Filed: **Sep. 14, 2017**

OTHER PUBLICATIONS

Vinno product. [online] Published on Feb. 9, 2016. Retrieved Jun. 8, 2018 from URL: http://www.vinno.conn/en/products/pro_detail.aspx?id=49.*

(Continued)

(30) **Foreign Application Priority Data**
Mar. 14, 2017 (CN) 2017 3 0071694

Primary Examiner — Vy N Koenig
(74) *Attorney, Agent, or Firm* — Cheng-Ju Chiang

(51) **LOC (11) Cl.** **24-02**
(52) **U.S. Cl.**
USPC **D24/183; D24/184**
(58) **Field of Classification Search**
USPC D24/183, 184, 190, 191, 192;
D29/101.3, 120.1, 121.1, 121.2, 122;
D6/382, 383, 384, 406.1–406.6, 596, 601,
D6/604, 610, 611, 710, 712, 716.2, 716.4,
D6/716.6, 718, 718.3; D2/720, 826, 860,
D2/861
CPC A61G 1/003–1/013; A61G 1/04–1/052;
A61G 7/1036; A61G 7/1053–7/1057
See application file for complete search history.

(57) **CLAIM**

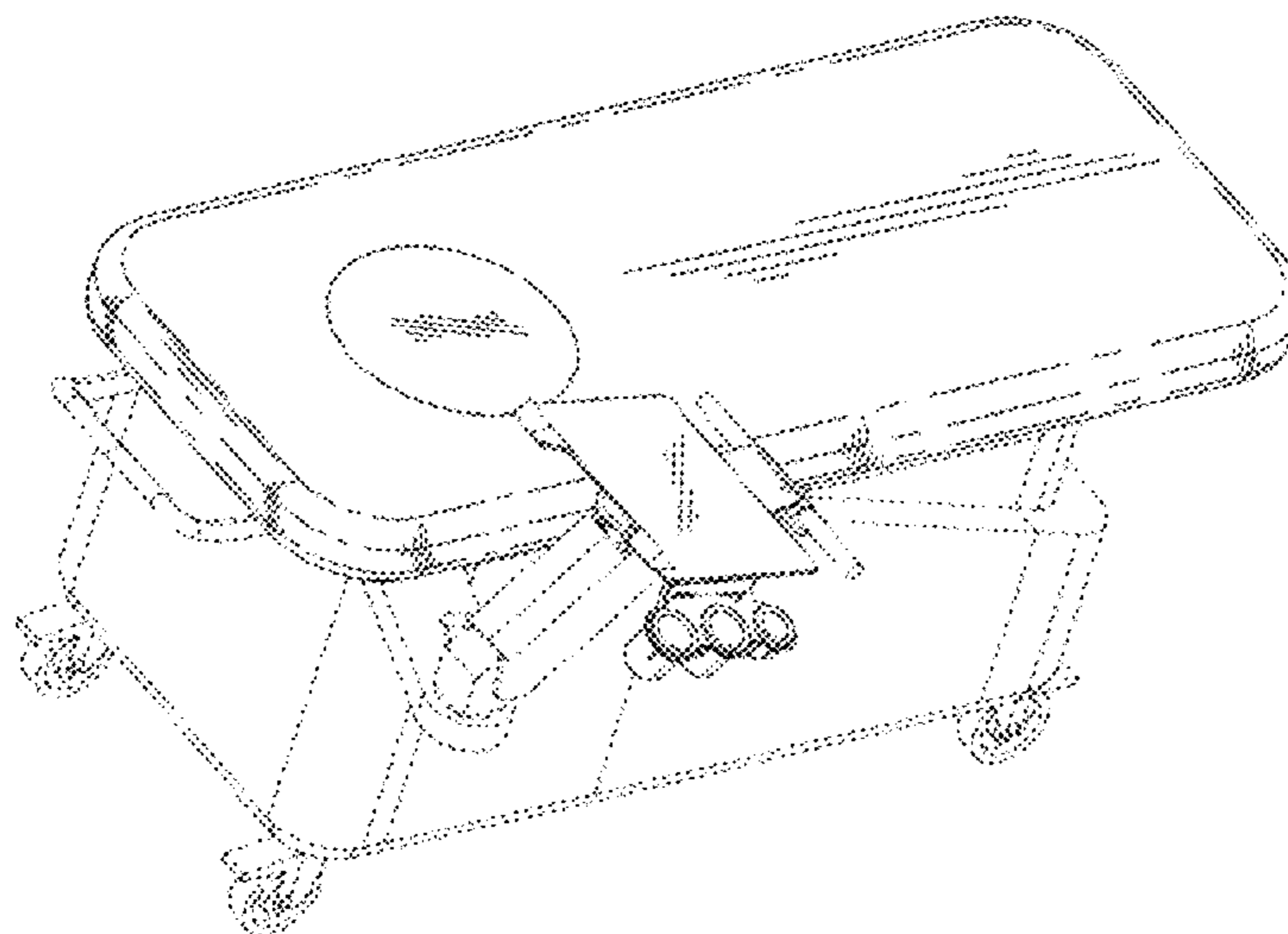
The ornamental design for a medical bed, as shown and described.

DESCRIPTION

FIG. 1 is a perspective view of a medical bed in accordance with our design;
FIG. 2 is a front elevation view thereof;
FIG. 3 is a rear elevation view thereof;
FIG. 4 is a left elevation view thereof;
FIG. 5 is a right elevation view thereof; and,
FIG. 6 is a top plan view thereof.
The broken lines in the drawings are employed to show unclaimed portions of the medical bed, and form no part of the claimed design.

(56) **References Cited**
U.S. PATENT DOCUMENTS
D135,507 S * 4/1943 Hillenbrand D6/406.2
D204,222 S * 3/1966 Dailey D24/183

1 Claim, 6 Drawing Sheets



(56)

References Cited

U.S. PATENT DOCUMENTS

2017/0119610 A1* 5/2017 Christensen A61G 13/105

OTHER PUBLICATIONS

A.S. Diagnostic Medical Sonography ADU. [online] Published Feb. 19, 2015. Retrieved Jun. 8, 2018 from URL: <https://www.adu.edu/academics/as-diagnostic-medical-sonography>.*

* cited by examiner

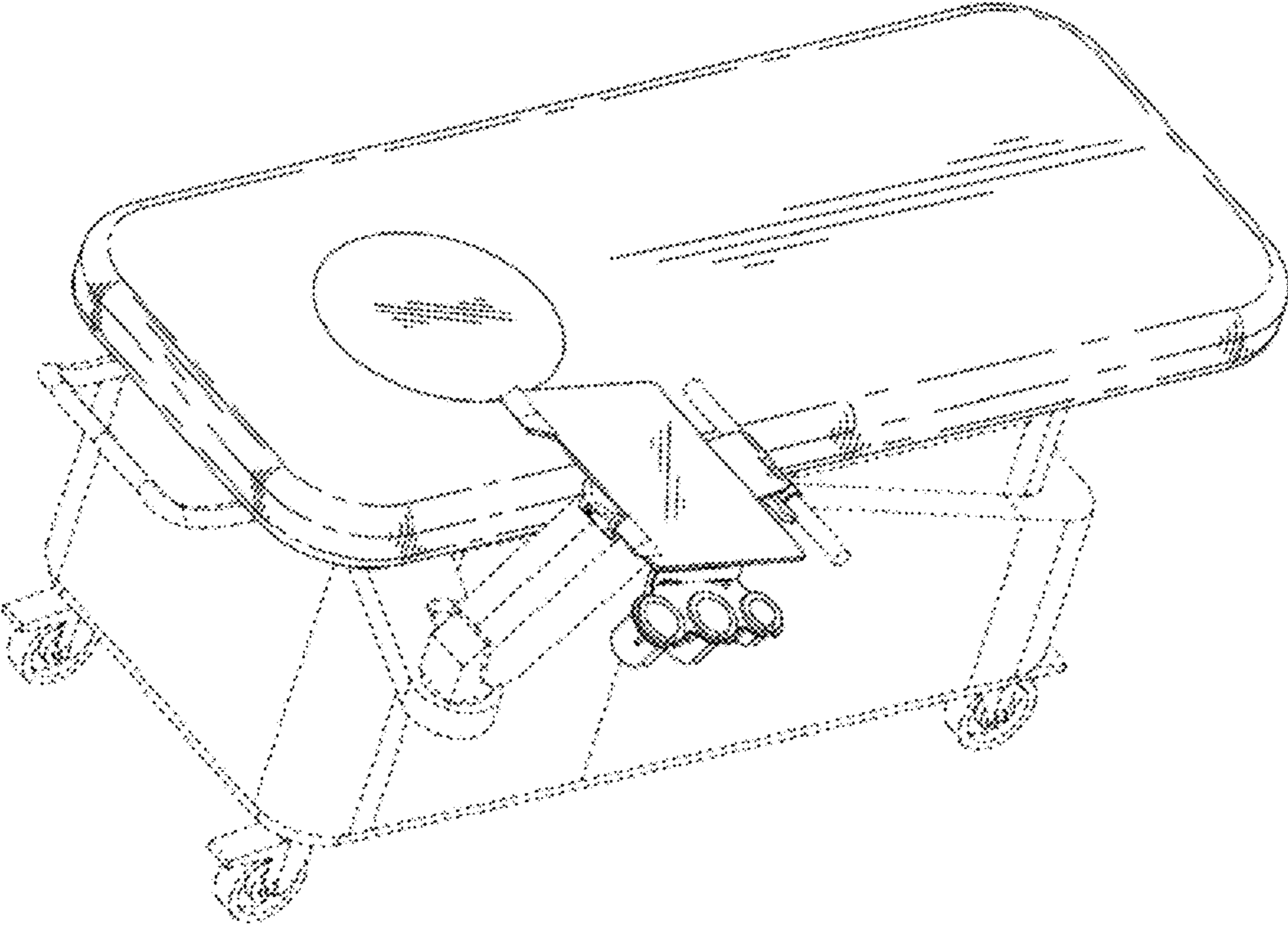


FIG. 1

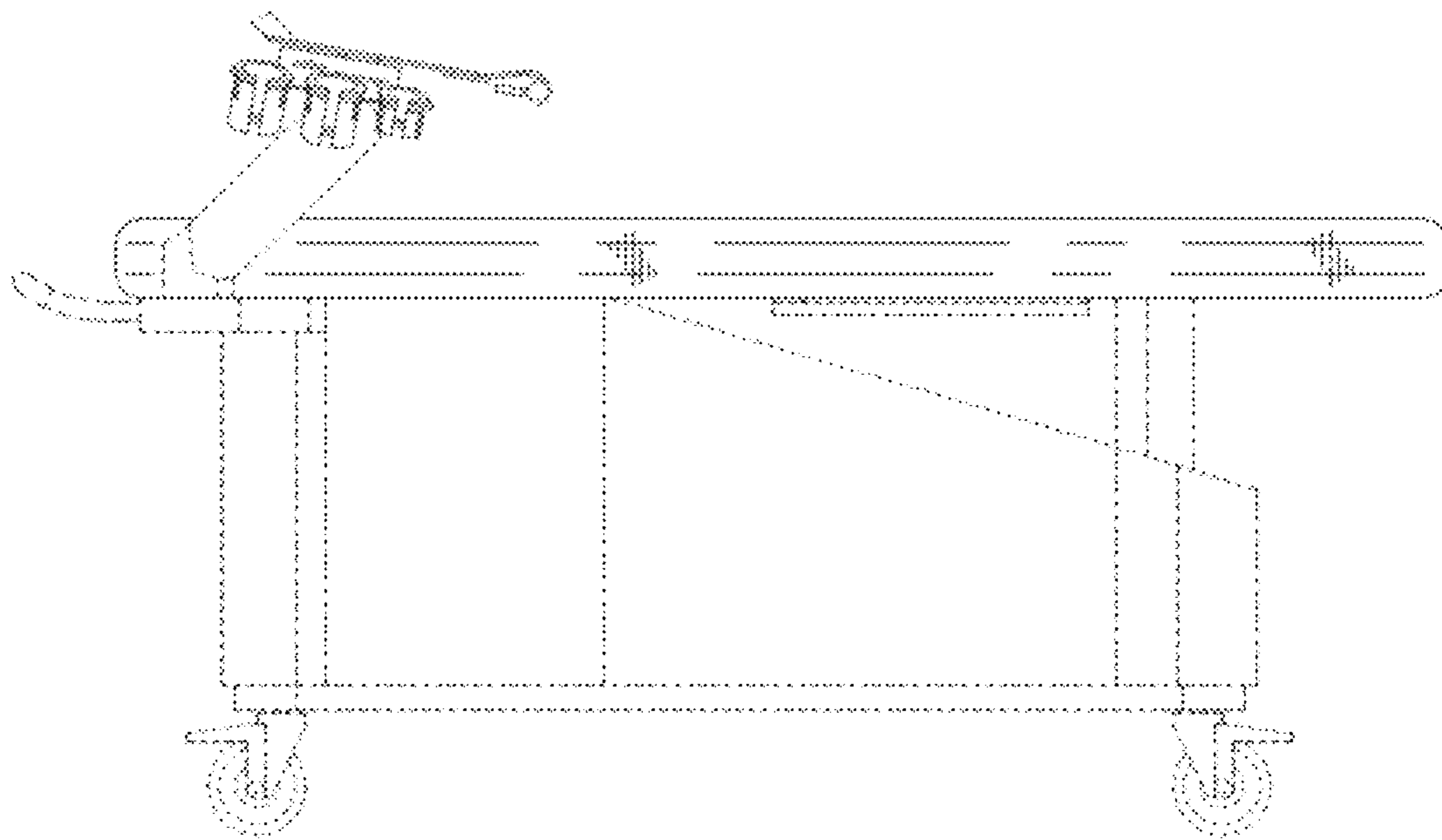


FIG. 2

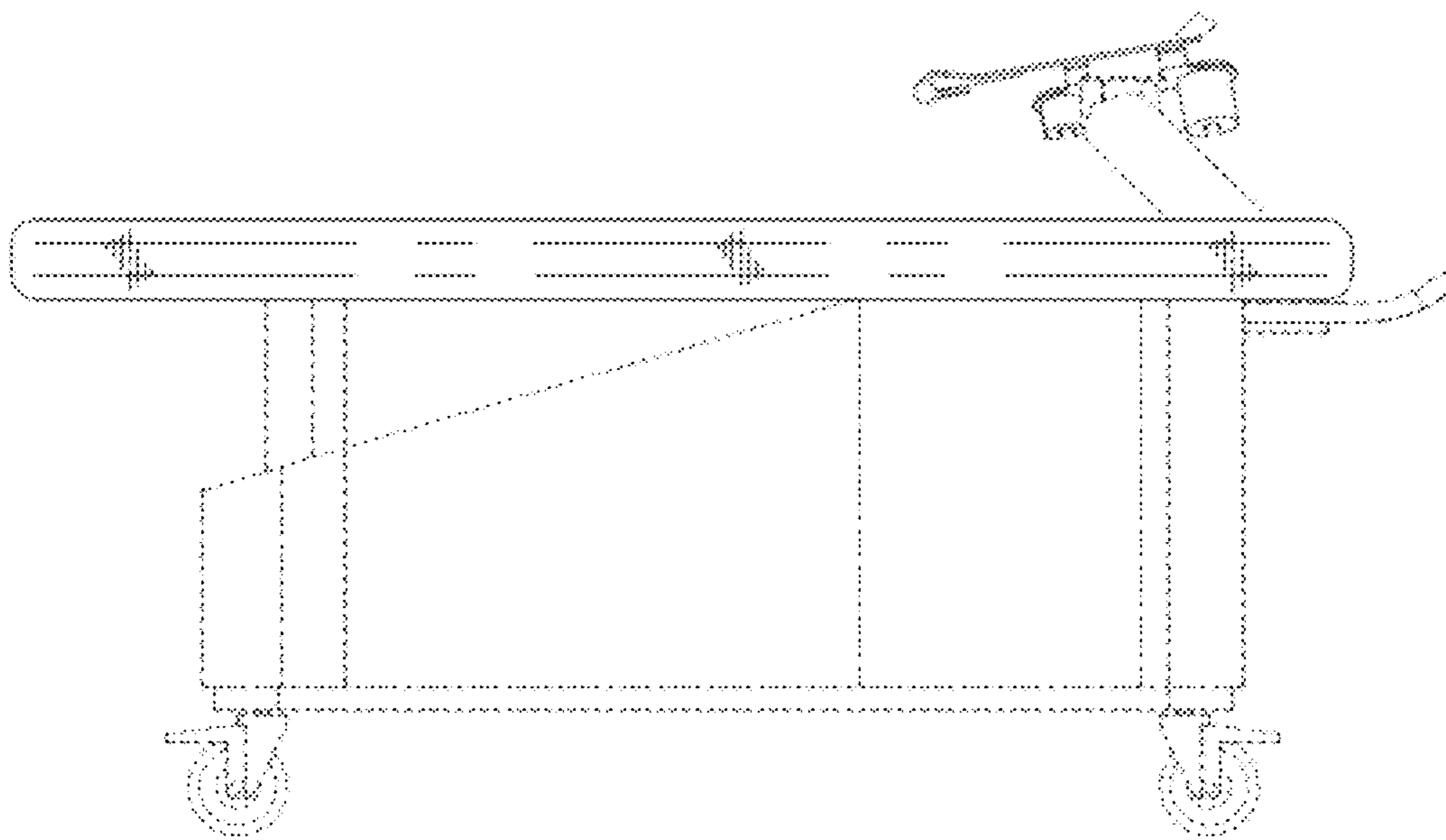


FIG. 3

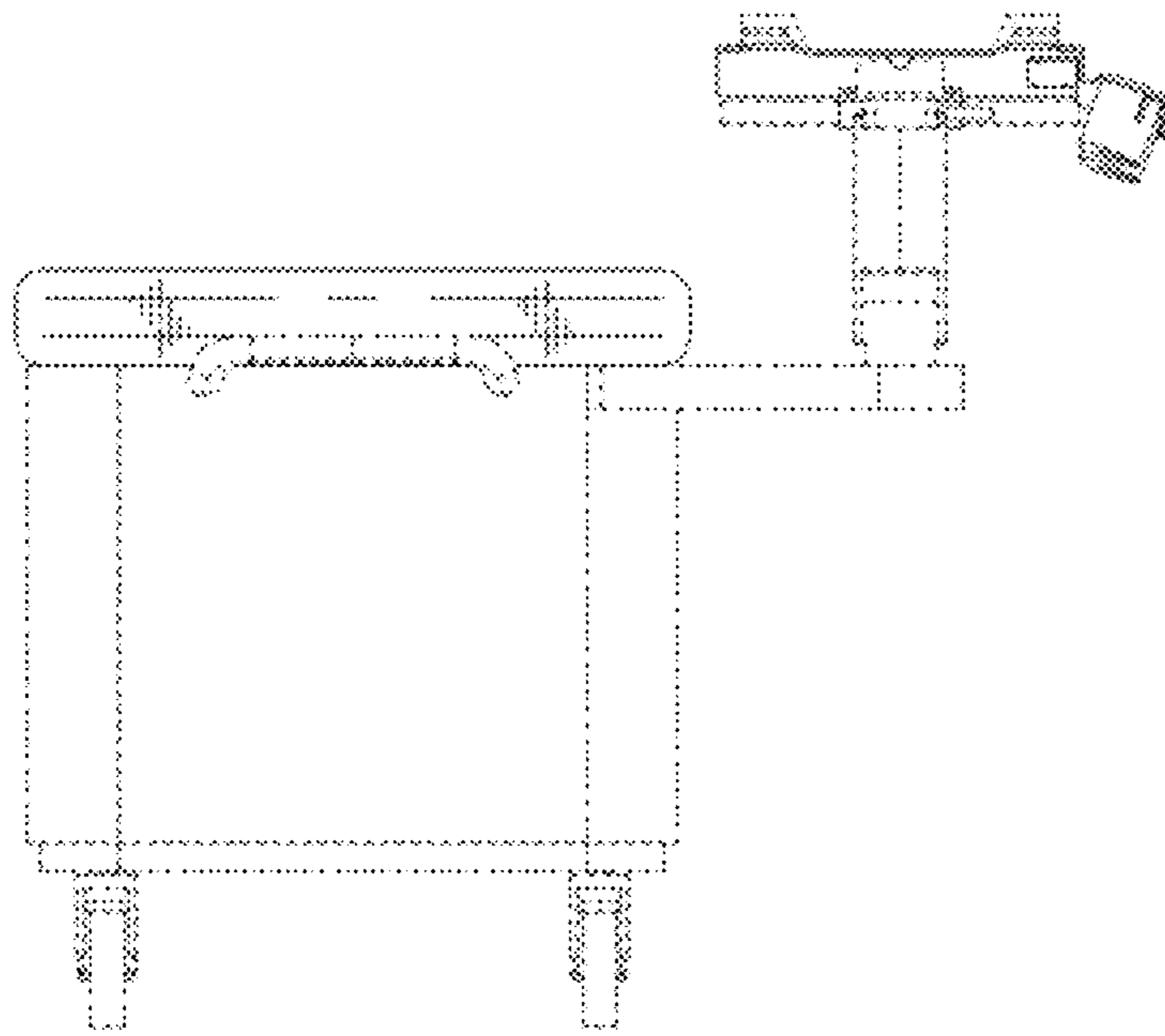


FIG. 4

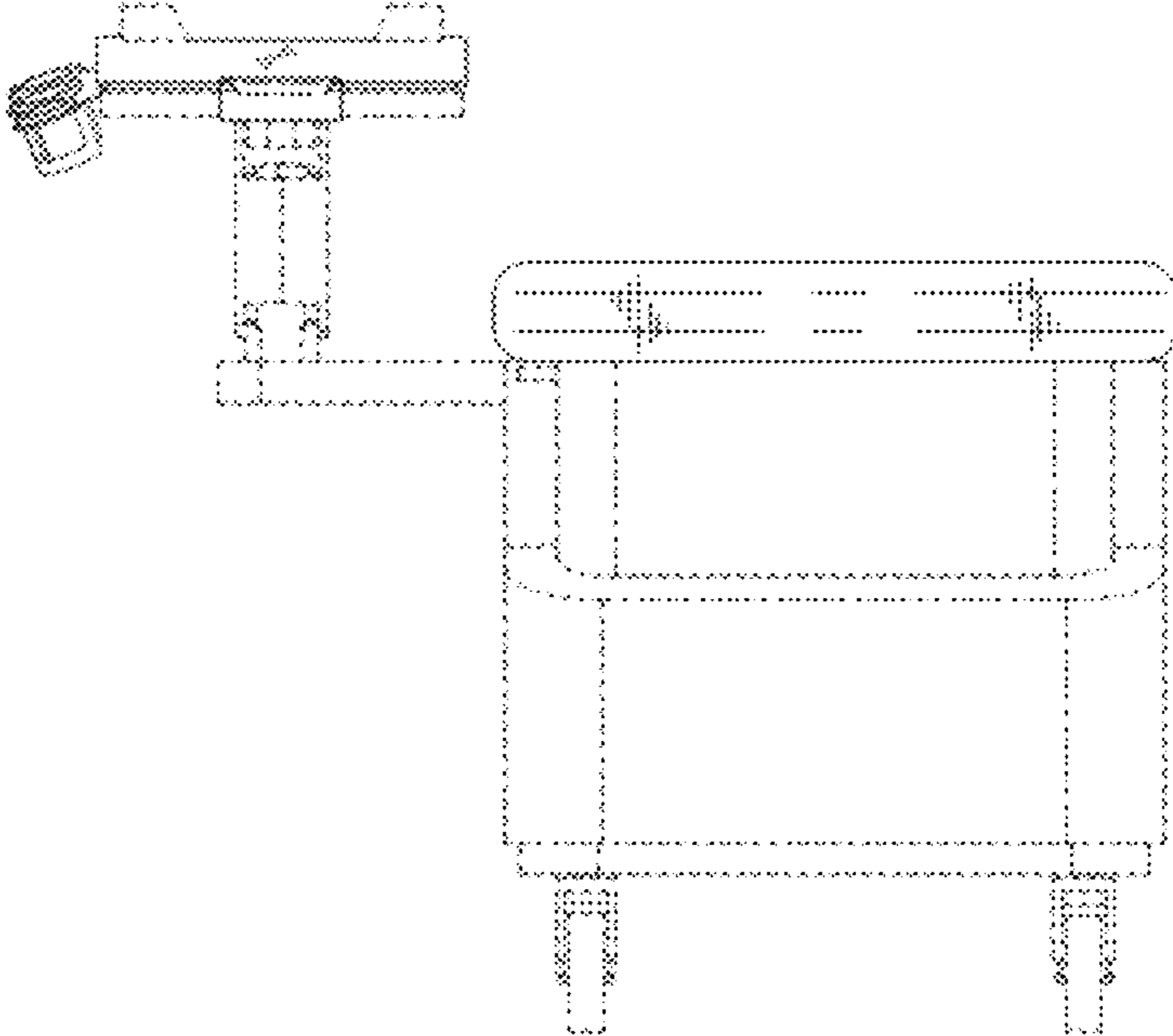


FIG. 5

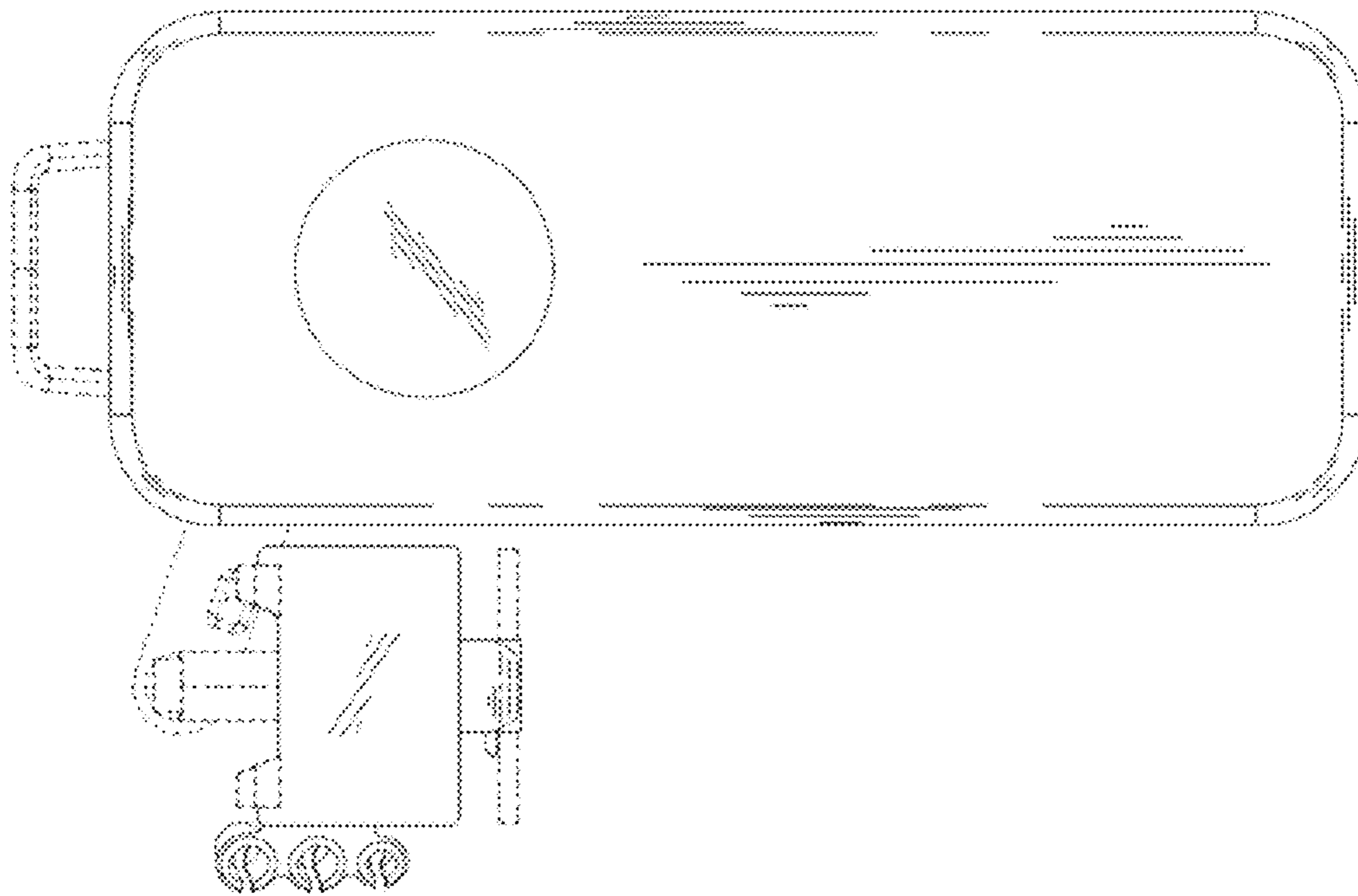


FIG. 6