



US00D834197S

(12) **United States Design Patent** (10) **Patent No.:** **US D834,197 S**  
**Cahen** (45) **Date of Patent:** **\*\* Nov. 20, 2018**

(54) **DENTAL APPLIANCE**  
(71) Applicant: **FERTON HOLDING S.A.**, Delemont (CH)  
(72) Inventor: **Antoine Cahen**, Lausanne (CH)  
(73) Assignee: **FERTON HOLDING S.A.**, Delemont (CH)  
(\*\*) Term: **15 Years**  
(21) Appl. No.: **29/568,093**  
(22) Filed: **Jun. 15, 2016**

D581,058 S \* 11/2008 Elkerbout ..... D24/217  
D593,198 S \* 5/2009 Neumeister ..... D24/117  
8,314,605 B2 11/2012 Pruckner et al.  
D705,937 S \* 5/2014 Bausback ..... D24/177  
D751,717 S \* 3/2016 Kagawa ..... D24/177

**OTHER PUBLICATIONS**

Dental Air Scaler—Complete Set—with Air Polisher—Airflow® Prophylaxis Master—EMS Electro Medical Systems. Retrieved on Sep. 18, 2018 from Internet: URL: <http://www.medicalexpo.com/prod/ems-electro-medical-sytems/product-68360-089207.html>. U.S. Notice of Allowance dated Sep. 28, 2018 issued in co-pending U.S. Appl. No. 29/654/041.

\* cited by examiner

(30) **Foreign Application Priority Data**

Dec. 15, 2015 (EM) ..... 002911123

(51) **LOC (11) Cl.** ..... **24-02**

(52) **U.S. Cl.**  
USPC ..... **D24/176**

(58) **Field of Classification Search**  
USPC ..... D24/176–178, 111, 217, 221; 433/25, 433/49, 77, 83, 229  
CPC ..... A47K 1/09; A61C 19/002; A61C 19/005; A61C 19/02; A61C 5/60; A61C 5/66; A61G 15/14; A61G 15/16  
See application file for complete search history.

*Primary Examiner* — Wan Laymon

(74) *Attorney, Agent, or Firm* — Arent Fox LLP

(57) **CLAIM**

The ornamental design for a dental appliance, as shown and described.

**DESCRIPTION**

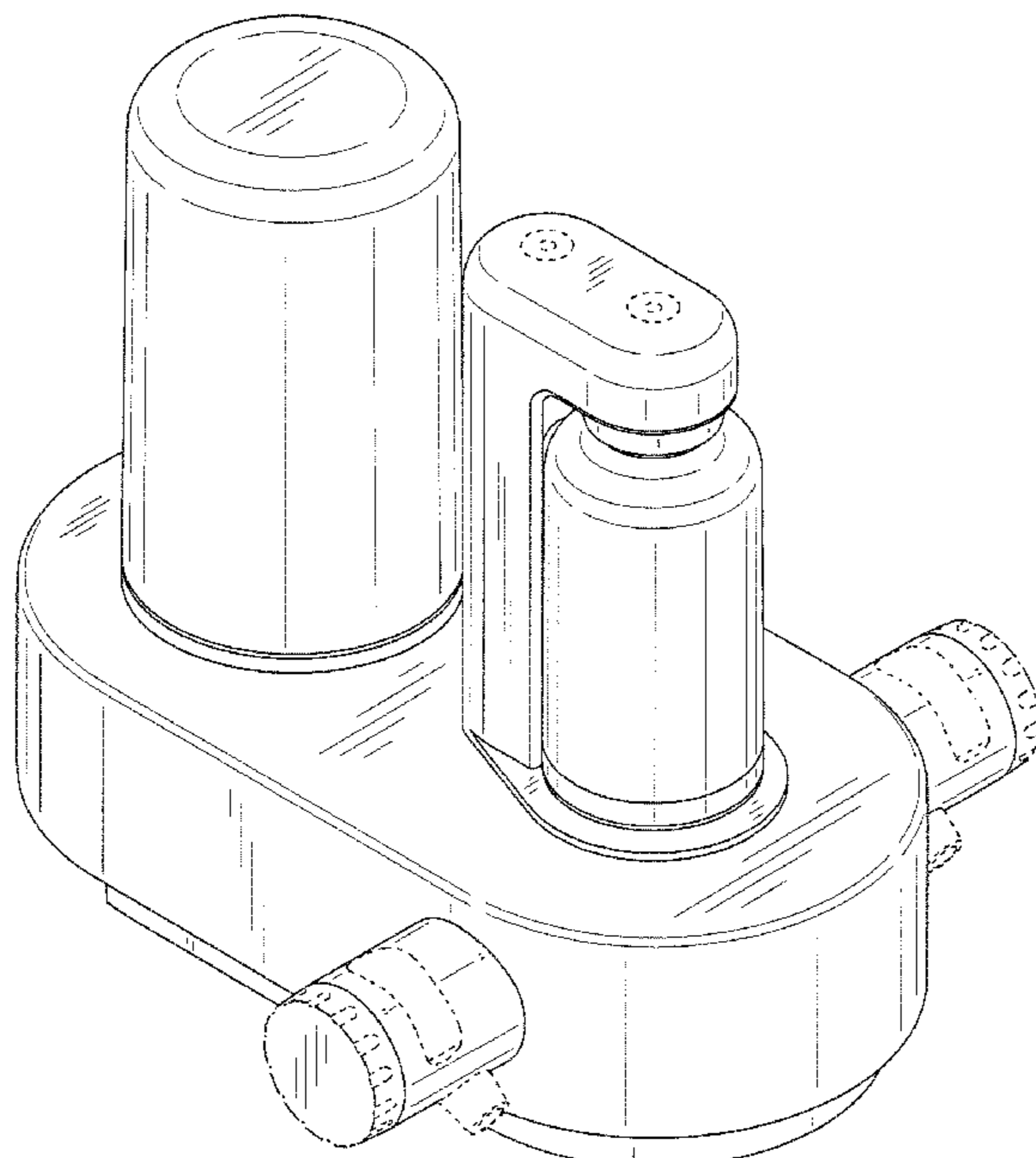
FIG. 1 is a front perspective view of a dental appliance showing my new design;  
FIG. 2 is a back perspective view of the design shown of FIG. 1;  
FIG. 3 is a front view of the design shown of FIG. 1;  
FIG. 4 is a back view of the design shown of FIG. 1;  
FIG. 5 is a left side view of the design shown of FIG. 1;  
FIG. 6 is a right side view of the design shown of FIG. 1;  
FIG. 7 is a top view of the design shown of FIG. 1; and, FIG. 8 is a bottom view of the design shown of FIG. 1.  
The broken lines in the Figures illustrate portions of the dental appliance that form no part of the claimed design.

(56) **References Cited**

**U.S. PATENT DOCUMENTS**

D287,628 S \* 1/1987 Schiavo ..... D24/217  
D438,953 S \* 3/2001 Frank ..... D24/176  
D476,743 S \* 7/2003 D’Silva ..... D24/177  
7,152,739 B1 \* 12/2006 Burleson ..... A47K 1/09  
206/581

**1 Claim, 8 Drawing Sheets**



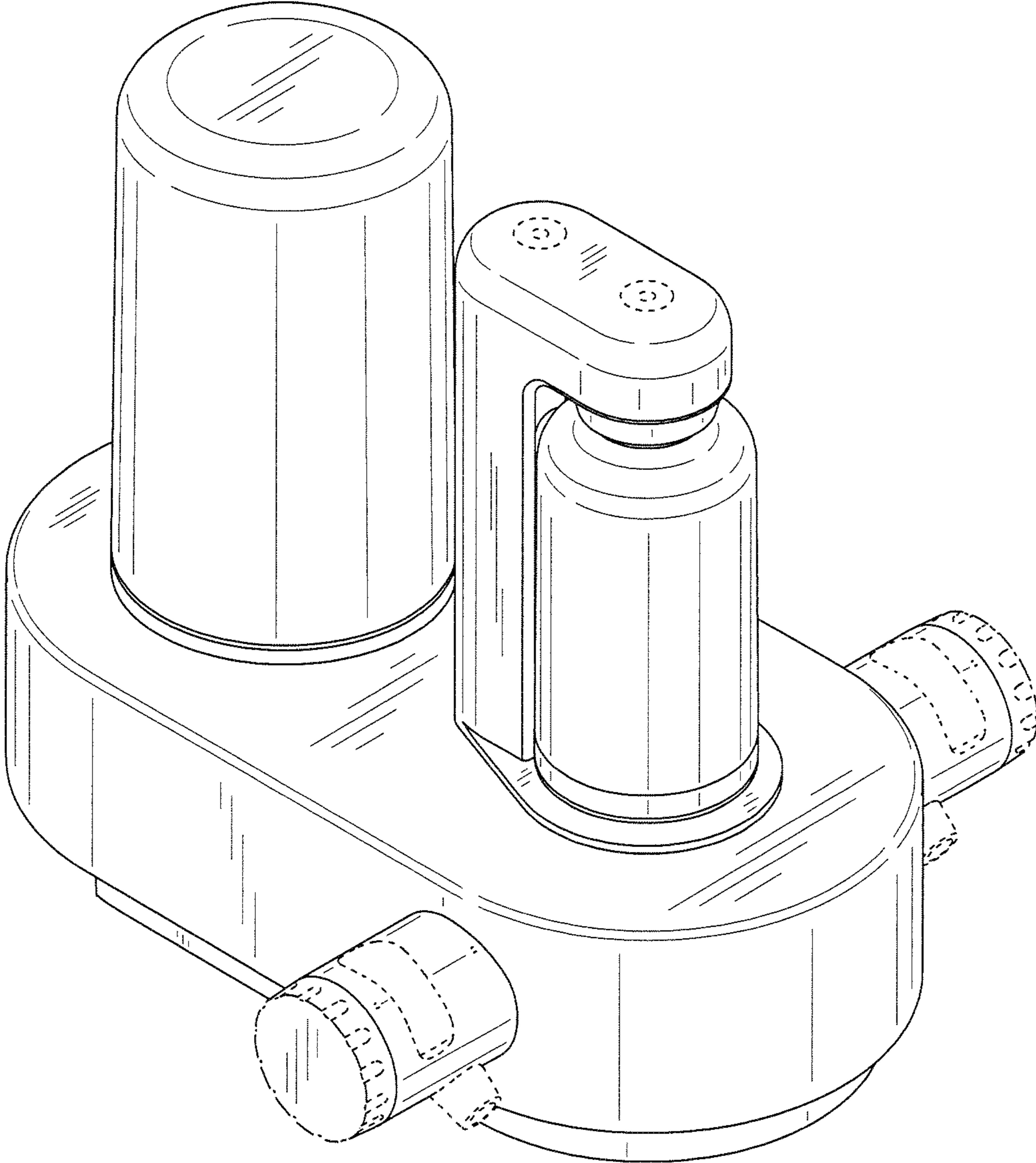


FIG. 1

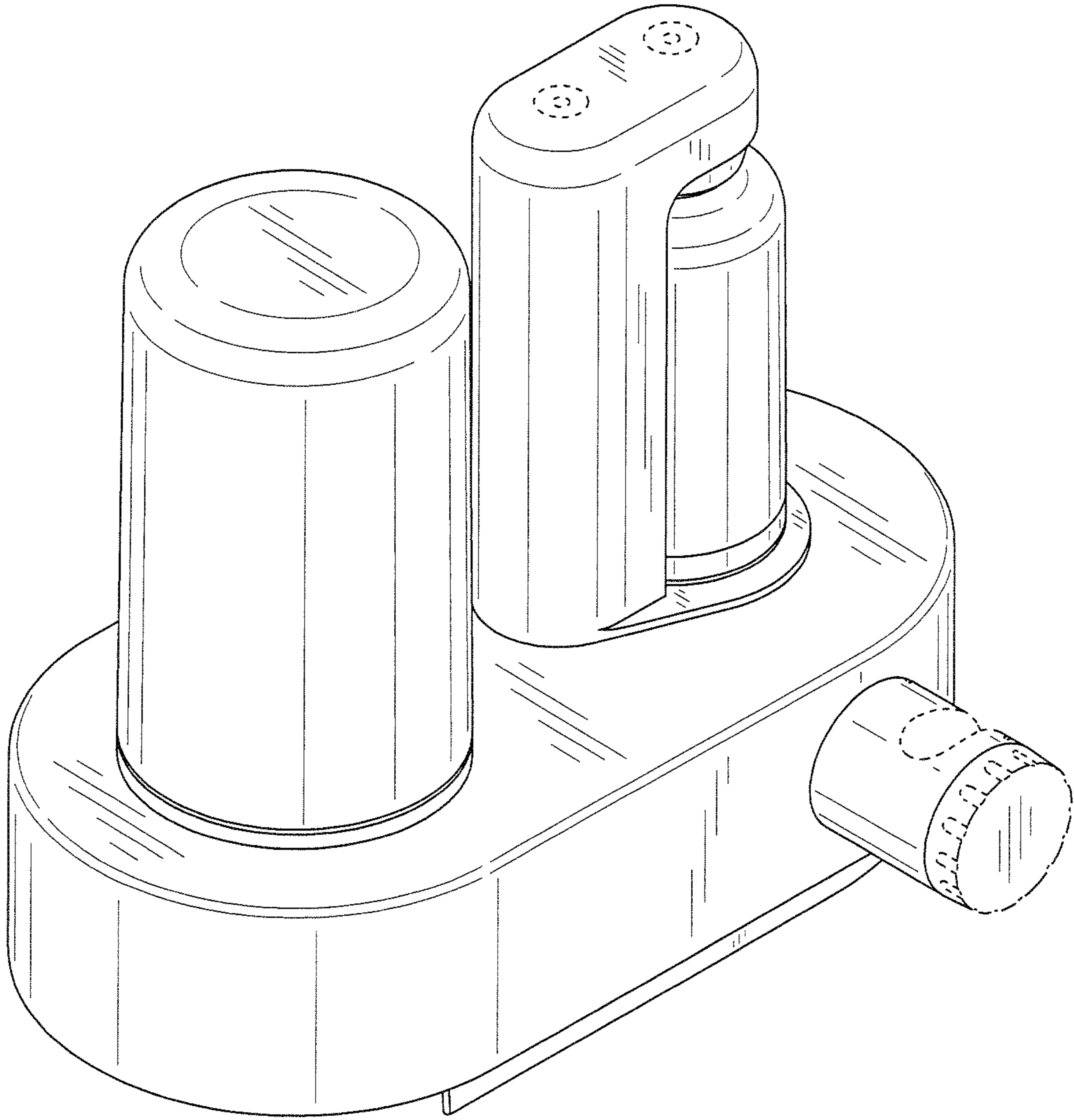


FIG. 2

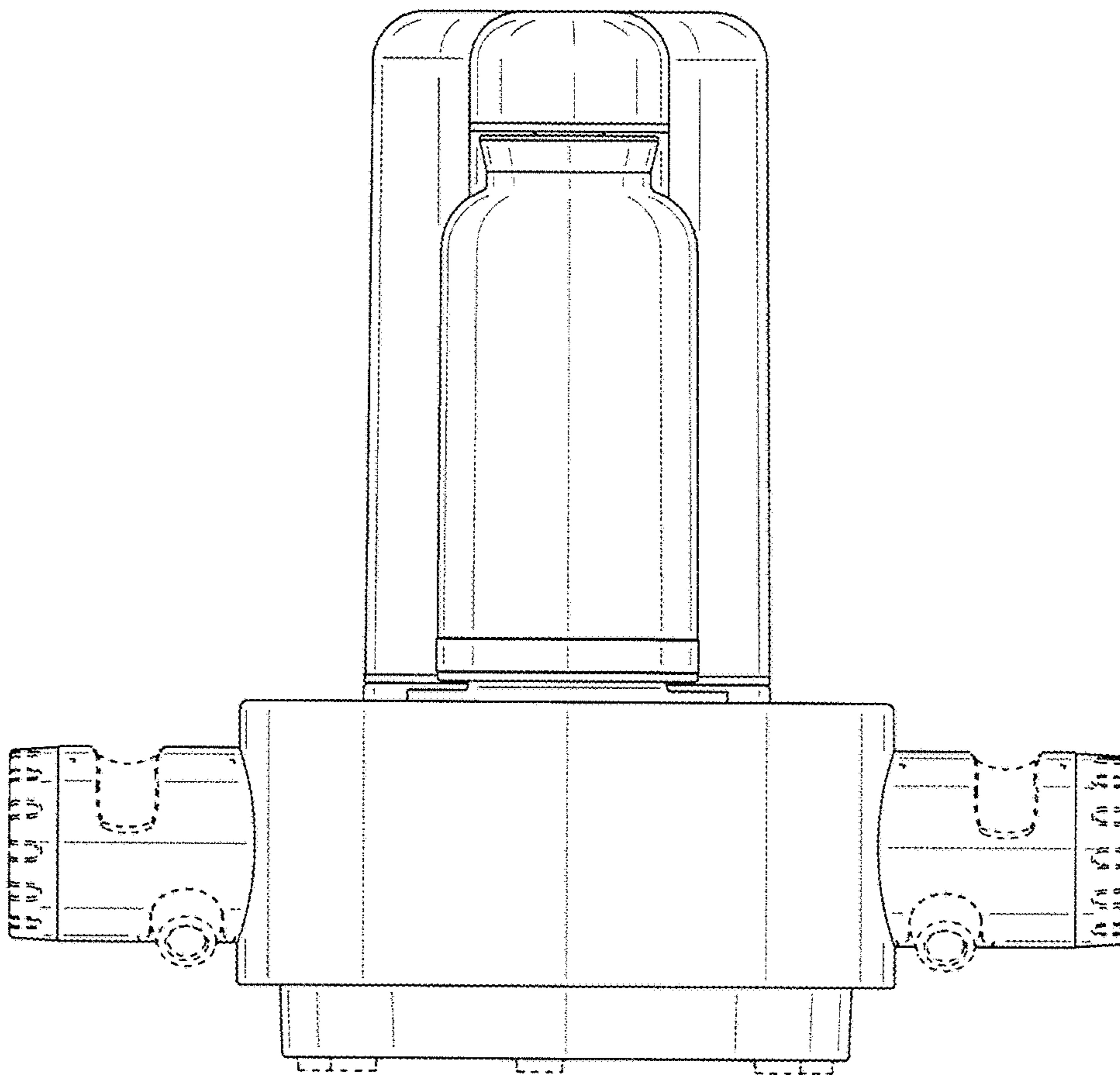


FIG. 3

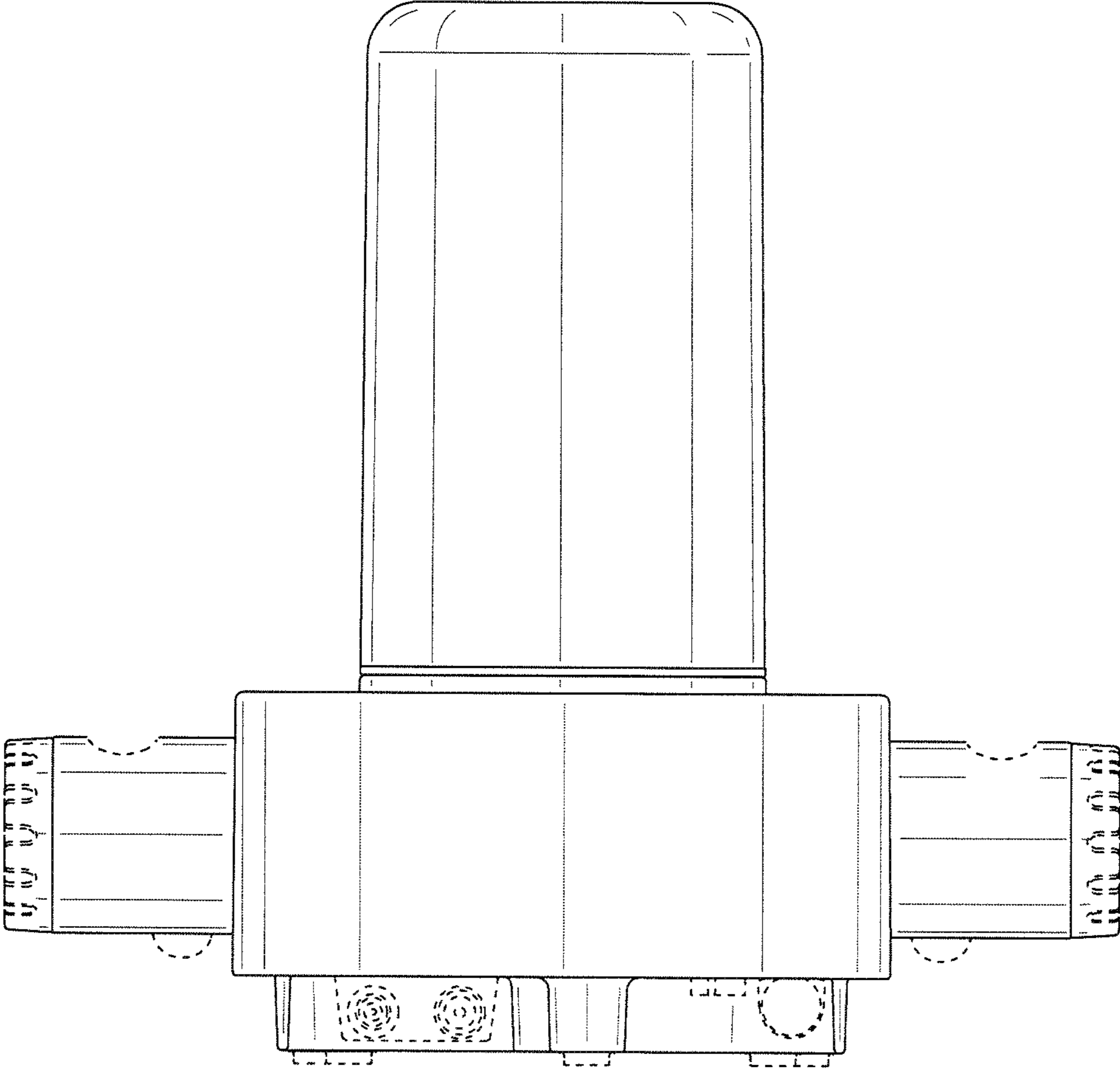


FIG. 4

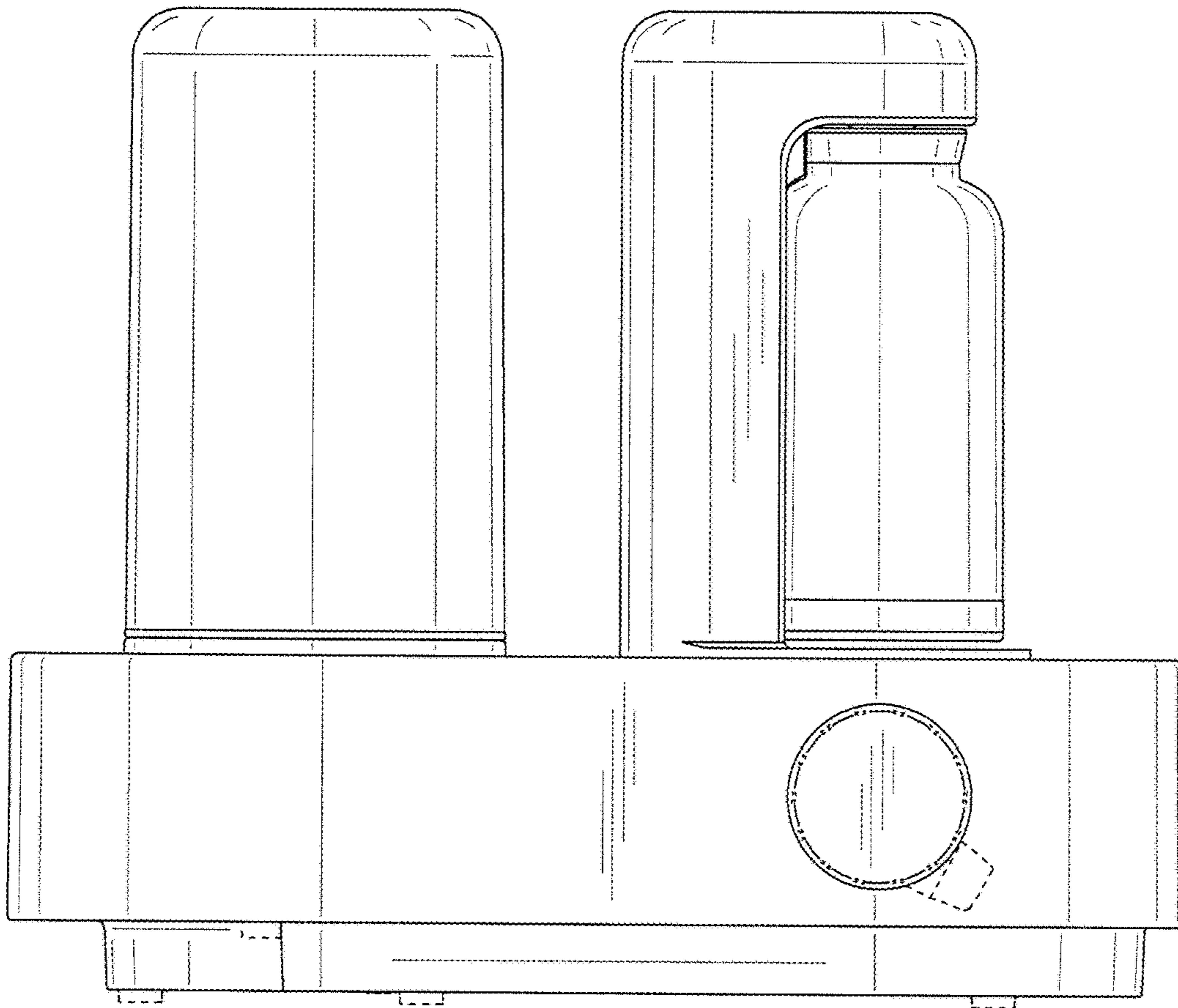


FIG. 5

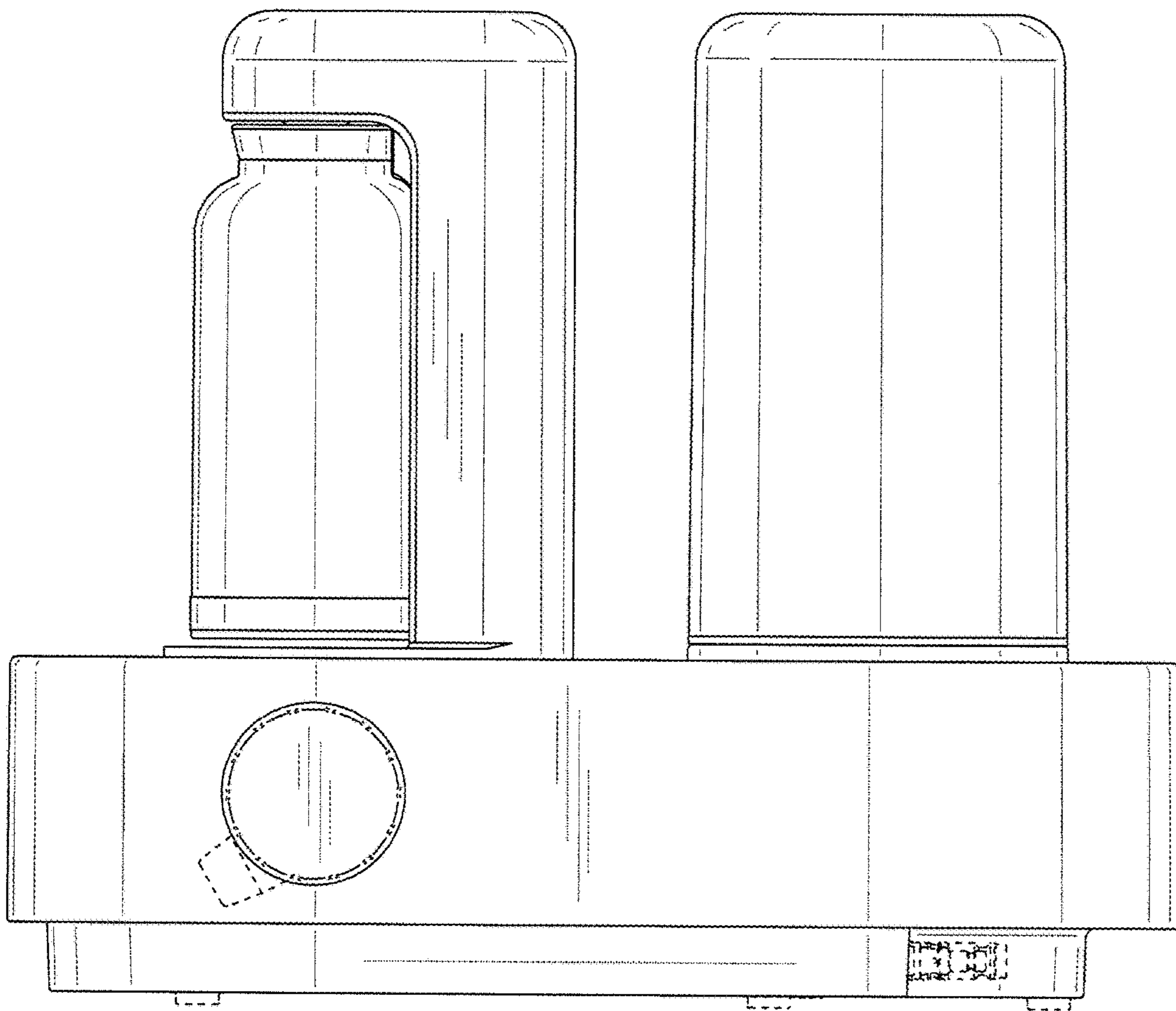


FIG. 6

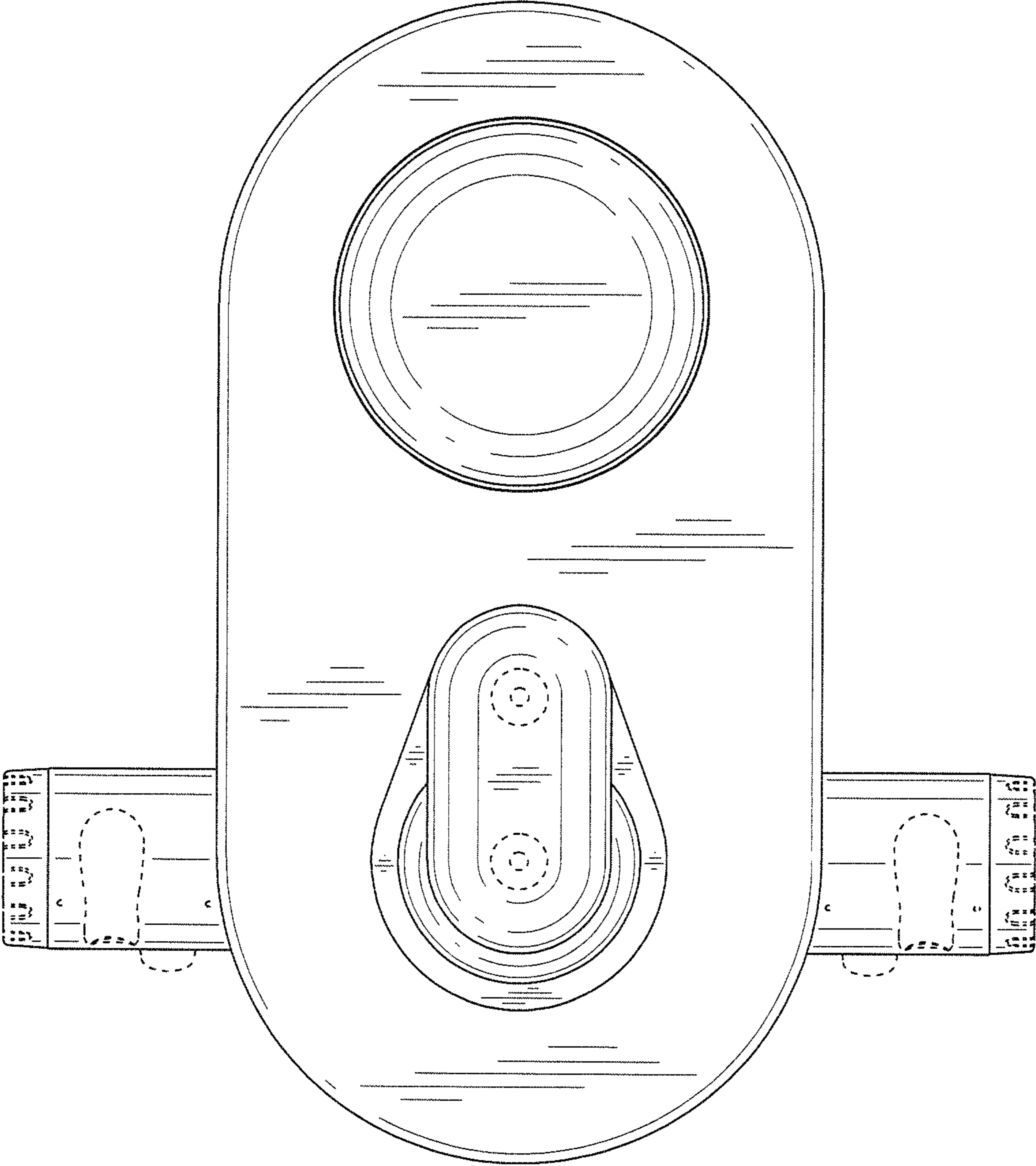


FIG. 7



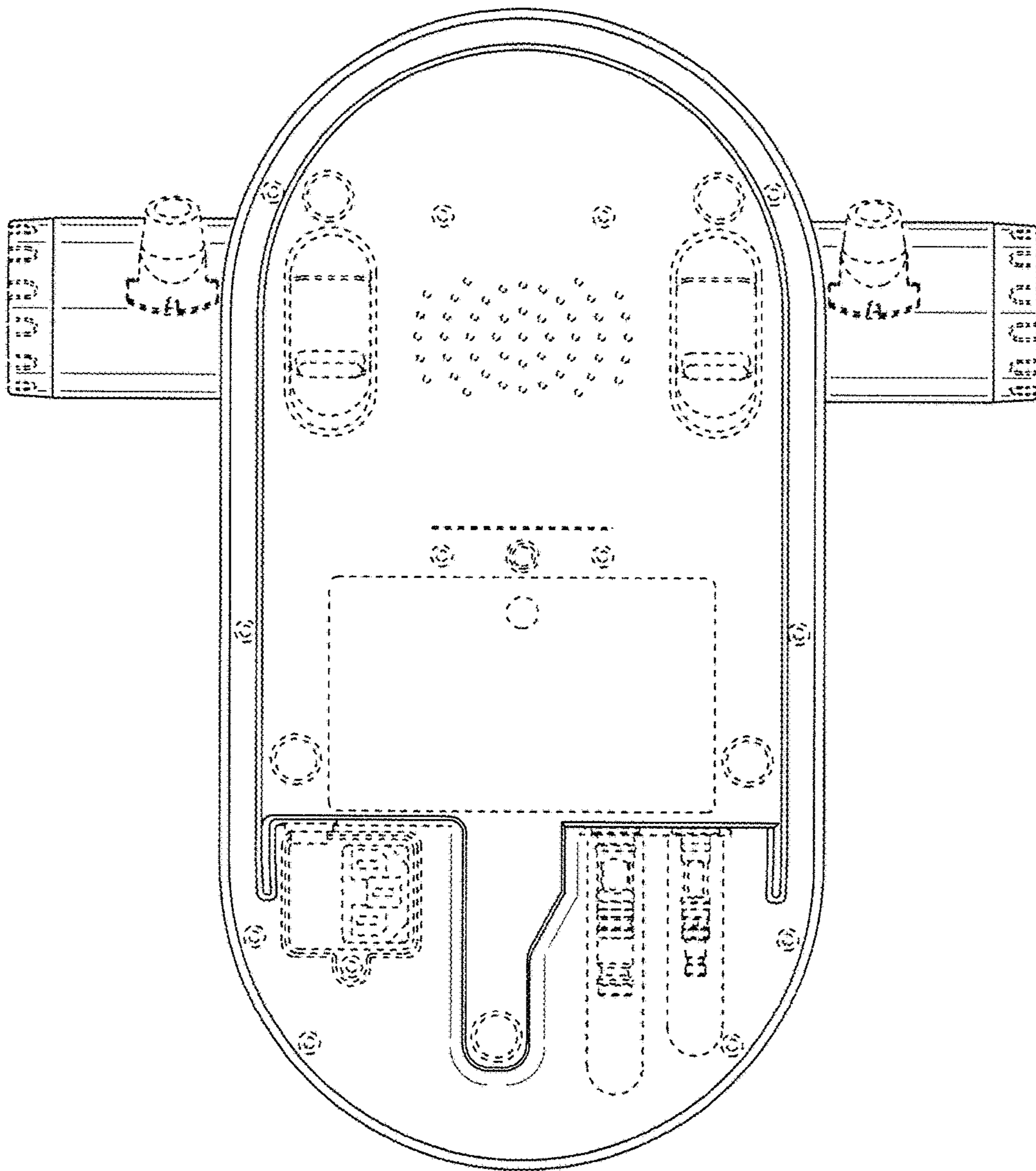


FIG. 8