



US00D834196S

(12) **United States Design Patent** (10) **Patent No.:** **US D834,196 S**
Mallikarjunagoud et al. (45) **Date of Patent:** **** Nov. 20, 2018**

(54) **FILTER HOUSING WITH TUBE PORTS**

7,909,003 B2 3/2011 Faram
D652,510 S * 1/2012 Lombardi, III D24/129
D663,022 S * 7/2012 Lombardi, III D24/129

(71) Applicant: **Hill-Rom Services, PTE Limited,**
Singapore (SG)

(Continued)

(72) Inventors: **Mallikarjunagoud,** Singapore (SG);
Suresha Venkataraya, Singapore (SG)

FOREIGN PATENT DOCUMENTS

EP 2 316 514 A1 5/2001

(73) Assignee: **Hill-Rom Services, PTE Limited,**
Singapore (SG)

OTHER PUBLICATIONS

(**) Term: **15 Years**

The MetaNeb® System Service Manual (165267 REV 1), 2010 (40 pages).
The MetaNeb® System User Manual (162902 REV 2), 2010 (34 pages).

(21) Appl. No.: **29/559,514**

(22) Filed: **Mar. 29, 2016**

Primary Examiner — Rhea Shields

(51) **LOC (11) Cl.** **24-00**

(74) *Attorney, Agent, or Firm* — Barnes & Thornburg LLP

(52) **U.S. Cl.**
USPC **D24/162**

(58) **Field of Classification Search**
USPC D24/164, 162, 110, 129, 224, 110.6;
417/206; D13/101; D15/5; D23/233
CPC A61H 9/0078
See application file for complete search history.

(57) **CLAIM**

The ornamental design for a filter housing with tube ports, as shown and described.

DESCRIPTION

(56) **References Cited**

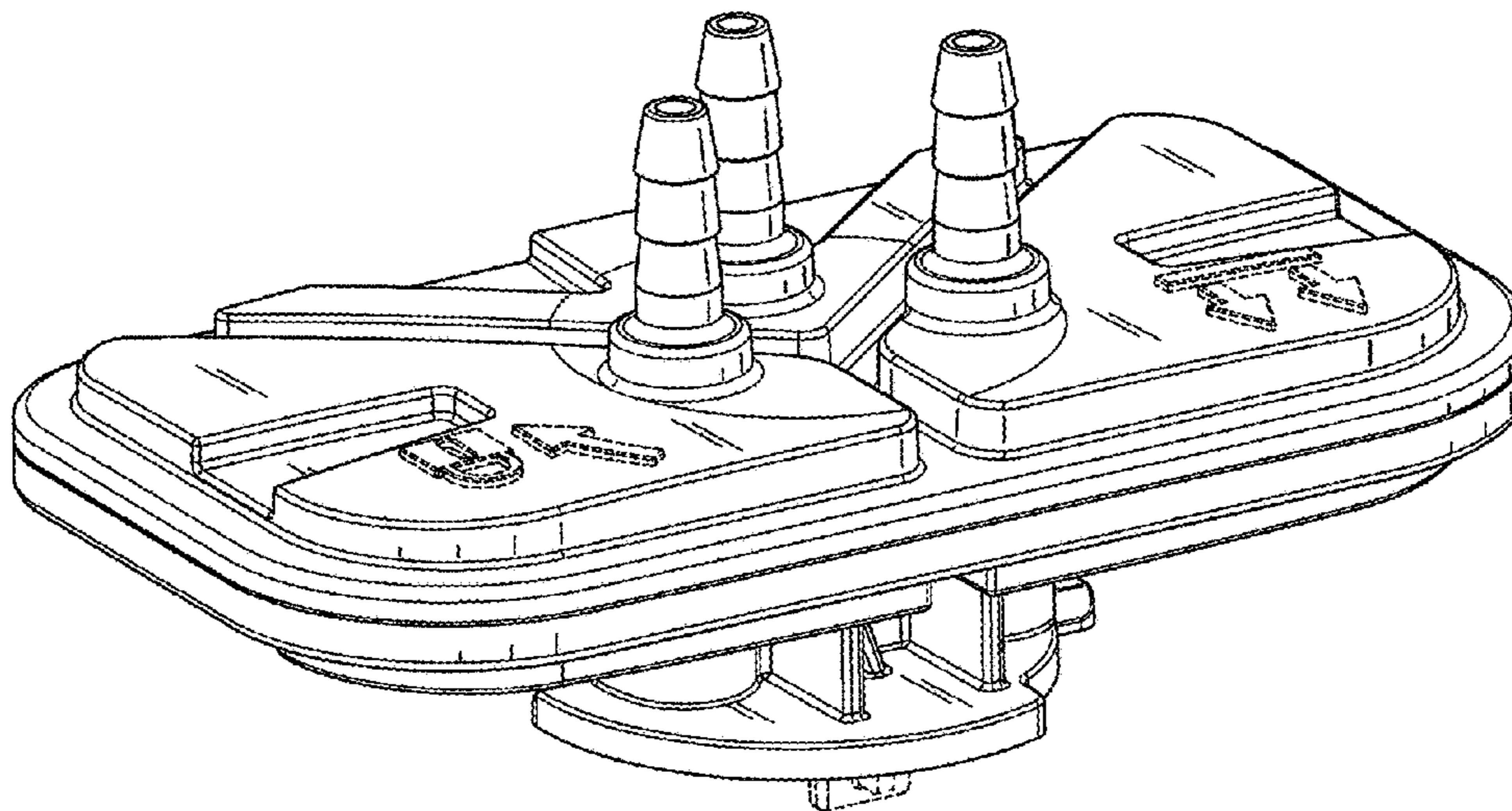
U.S. PATENT DOCUMENTS

D260,175 S	8/1981	Hein et al.	
D274,462 S	6/1984	Rakocy et al.	
D285,606 S	9/1986	Christopherson	
D306,340 S	2/1990	Whiting	
D320,273 S	9/1991	Heiden	
D320,445 S *	10/1991	Jones	D24/162
D357,686 S *	4/1995	Sanford	D15/5
D358,213 S	5/1995	Sutton et al.	
D367,532 S *	2/1996	Sirianne	D24/162
D441,449 S	5/2001	Gaskell	
D493,884 S *	8/2004	Virr	D24/110
D506,551 S *	6/2005	Booth	D24/162
7,007,692 B2	3/2006	Aylsworth et al.	
7,114,497 B2	10/2006	Aylsworth et al.	
D535,750 S	1/2007	Clawson	
7,305,988 B2	12/2007	Acker et al.	

FIG. 1 is a front perspective view of a filter housing with tube ports in accordance with our design, as viewed from a top right corner thereof;
FIG. 2 is another front perspective view thereof, as viewed from a bottom right corner thereof;
FIG. 3 is a further front perspective view thereof, as viewed from a top left corner thereof;
FIG. 4 is a rear perspective view thereof;
FIG. 5 is a front elevation view thereof;
FIG. 6 is a top plan view thereof;
FIG. 7 is a bottom plan view thereof;
FIG. 8 is a side elevation view of the right side thereof;
FIG. 9 is a side elevation view of the left side thereof; and,
FIG. 10 is a rear elevation view thereof.

In the drawings, the broken lines are for the purpose of illustrating environment only and form no part of the claimed design.

1 Claim, 10 Drawing Sheets



(56)

References Cited

U.S. PATENT DOCUMENTS

8,226,583 B2 * 7/2012 Ikeler A61H 9/0078
 417/206
 D692,556 S * 10/2013 Winter D24/110.6
 D693,001 S * 11/2013 Winter D24/110.6
 D731,619 S 6/2015 Smith et al.
 D731,621 S * 6/2015 Mills D23/233
 D734,854 S * 7/2015 Conner D24/164
 9,272,115 B2 3/2016 Bobey et al.
 D764,026 S * 8/2016 Mills D23/233
 D771,832 S * 11/2016 Yeager D24/224
 D789,518 S * 6/2017 Bhide D24/110
 D790,684 S * 6/2017 Bhide D24/110
 D799,418 S * 10/2017 Desjardins D13/101
 D807,815 S * 1/2018 Desjardins D13/101
 D820,455 S * 6/2018 Milligan D24/164
 D820,780 S * 6/2018 Desjardins D13/101
 2005/0257794 A1 11/2005 Aylsworth et al.
 2006/0169281 A1 8/2006 Aylsworth et al.
 2009/0188500 A1 7/2009 Faram
 2010/0269828 A1 11/2010 Orr et al.
 2011/0100360 A1 5/2011 Faram
 2014/0144446 A1 5/2014 Bobey et al.

* cited by examiner

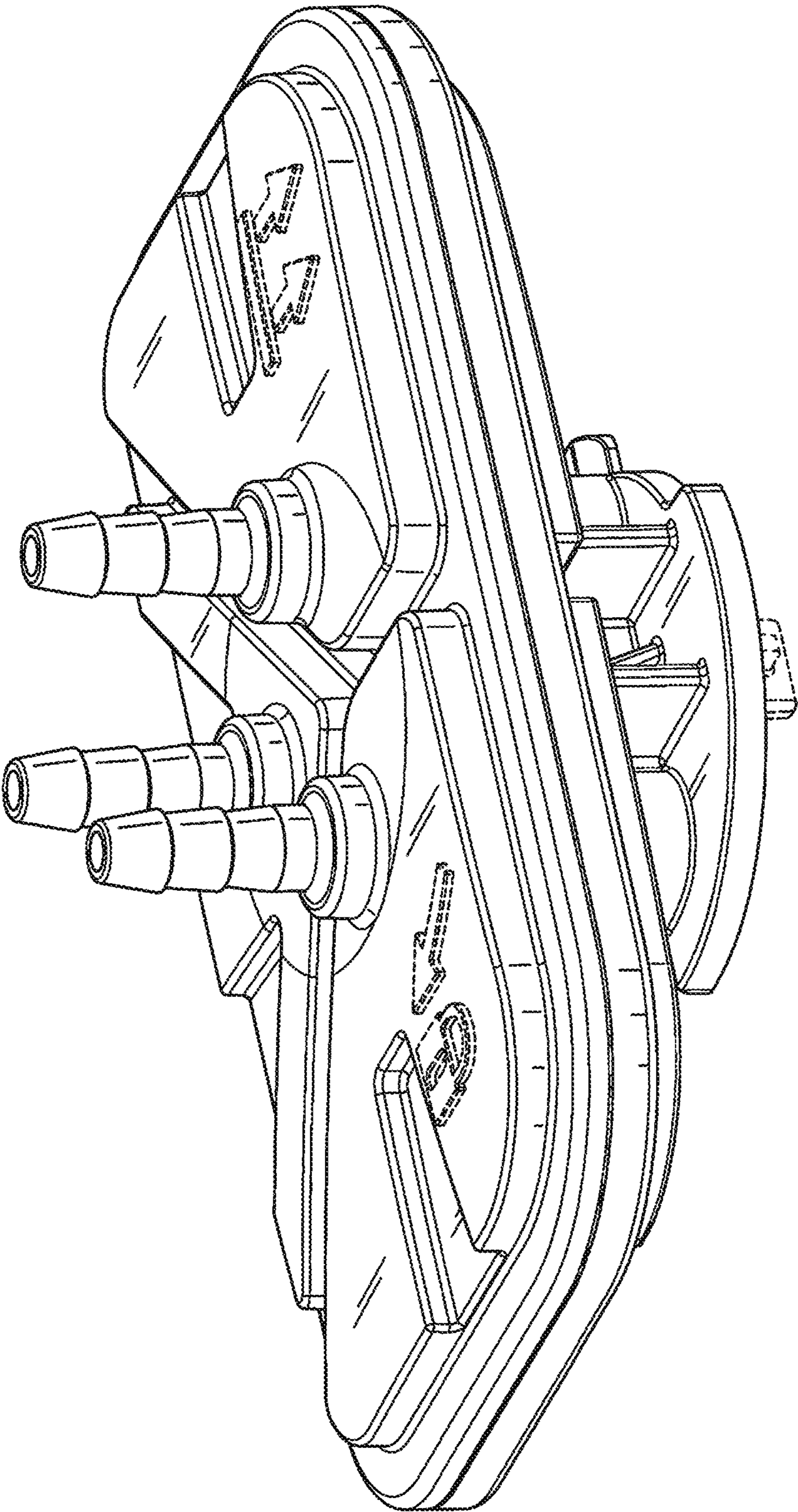


FIG. 1

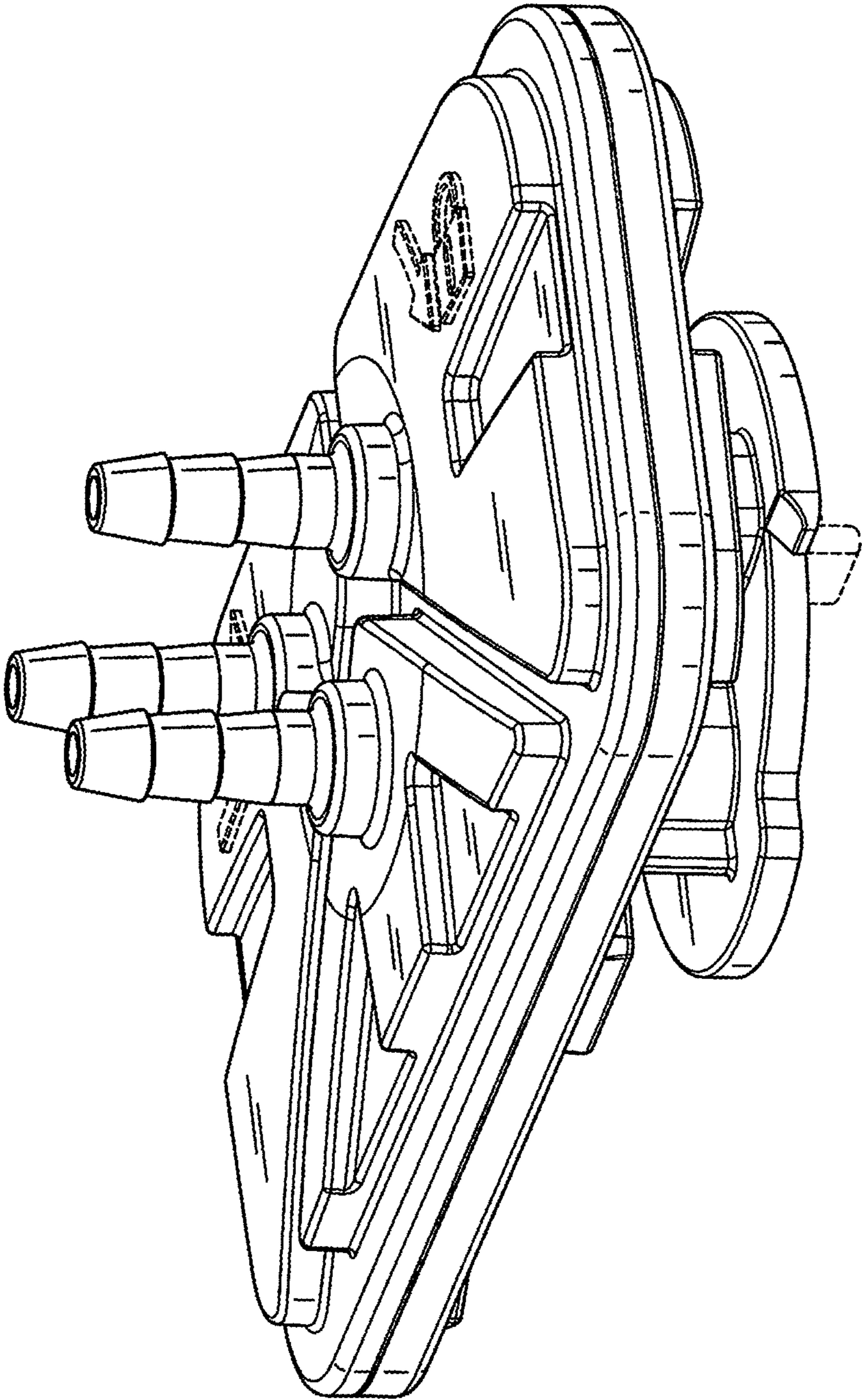


FIG. 2

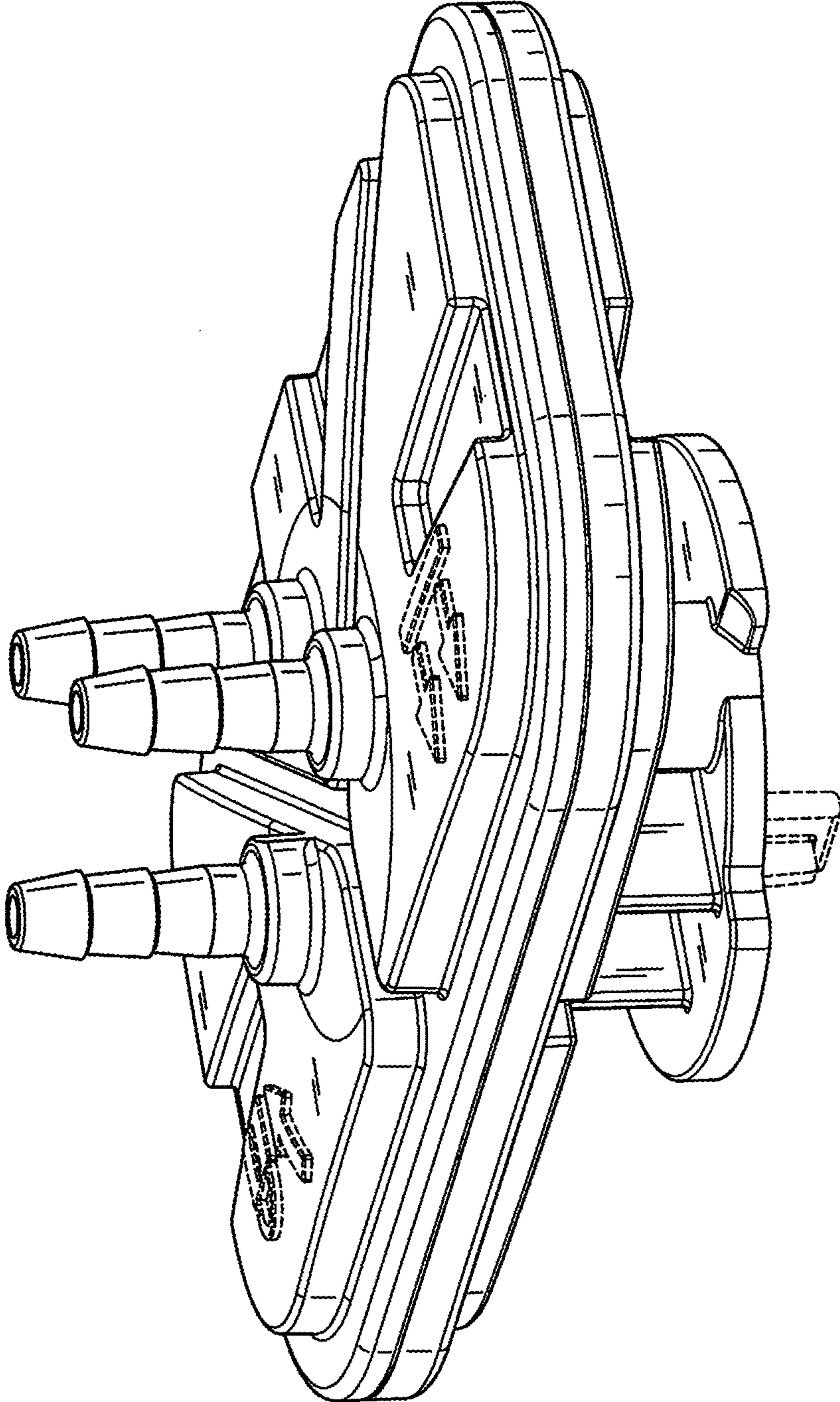


FIG. 3

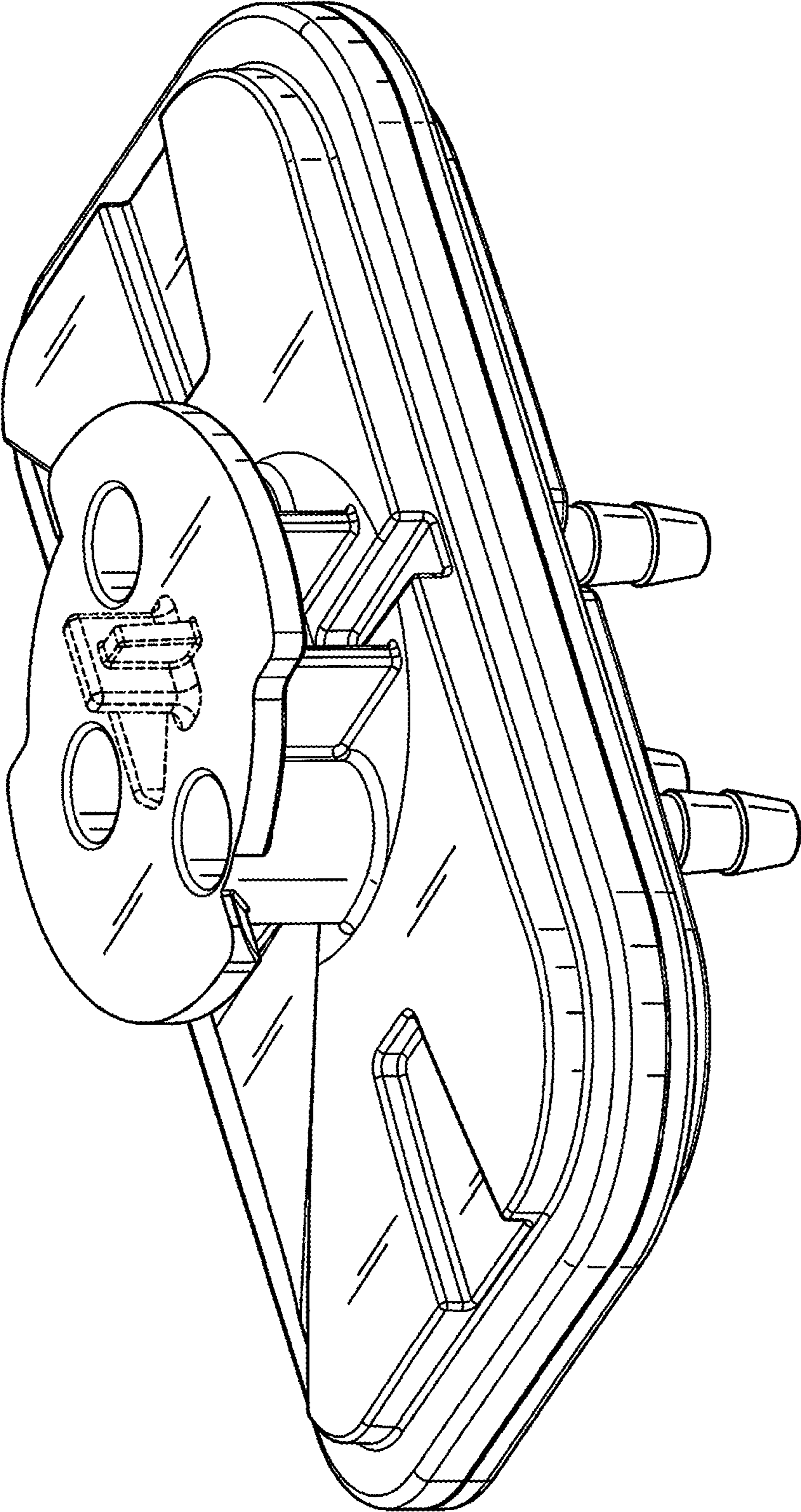


FIG. 4

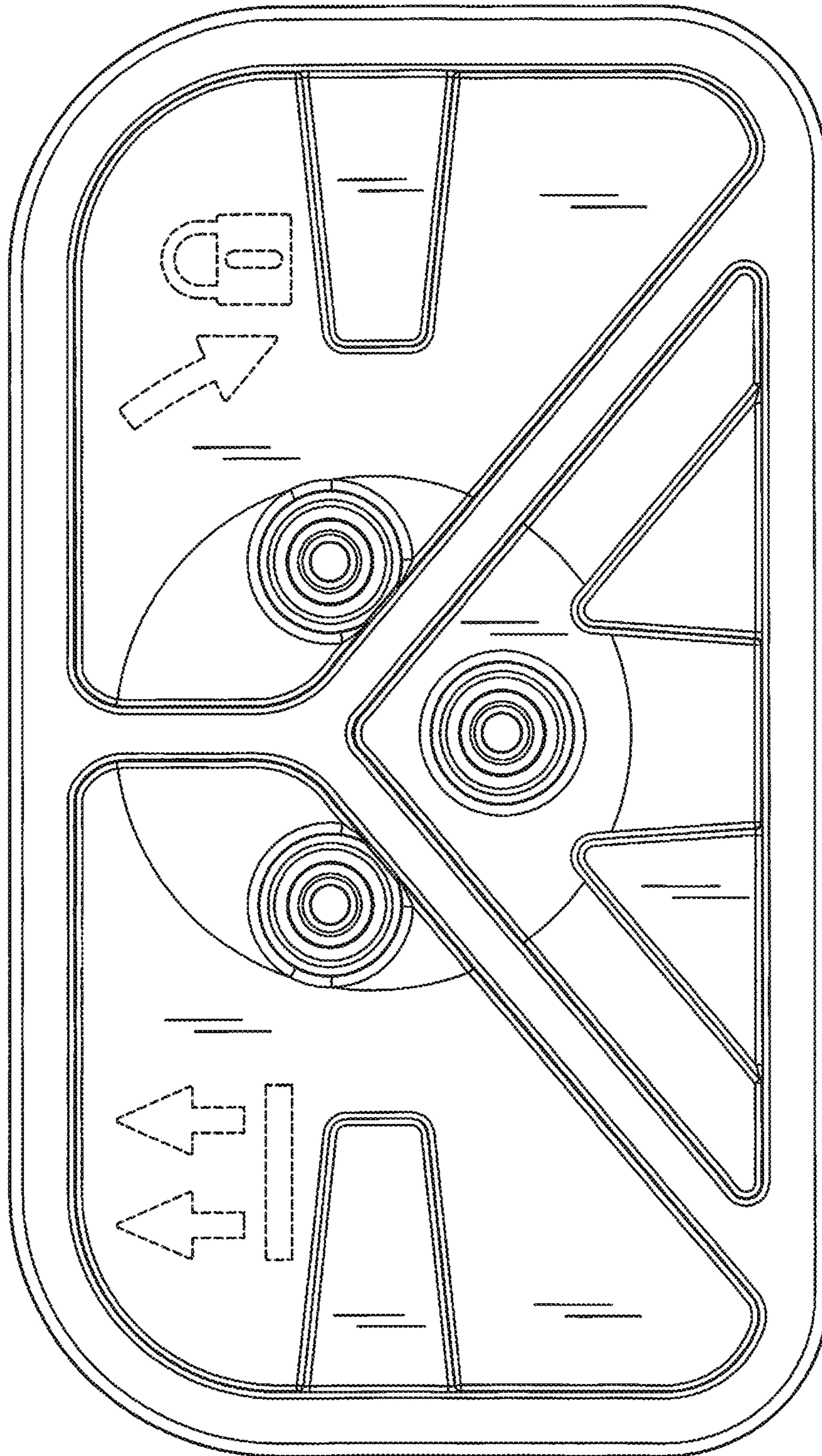


FIG. 5

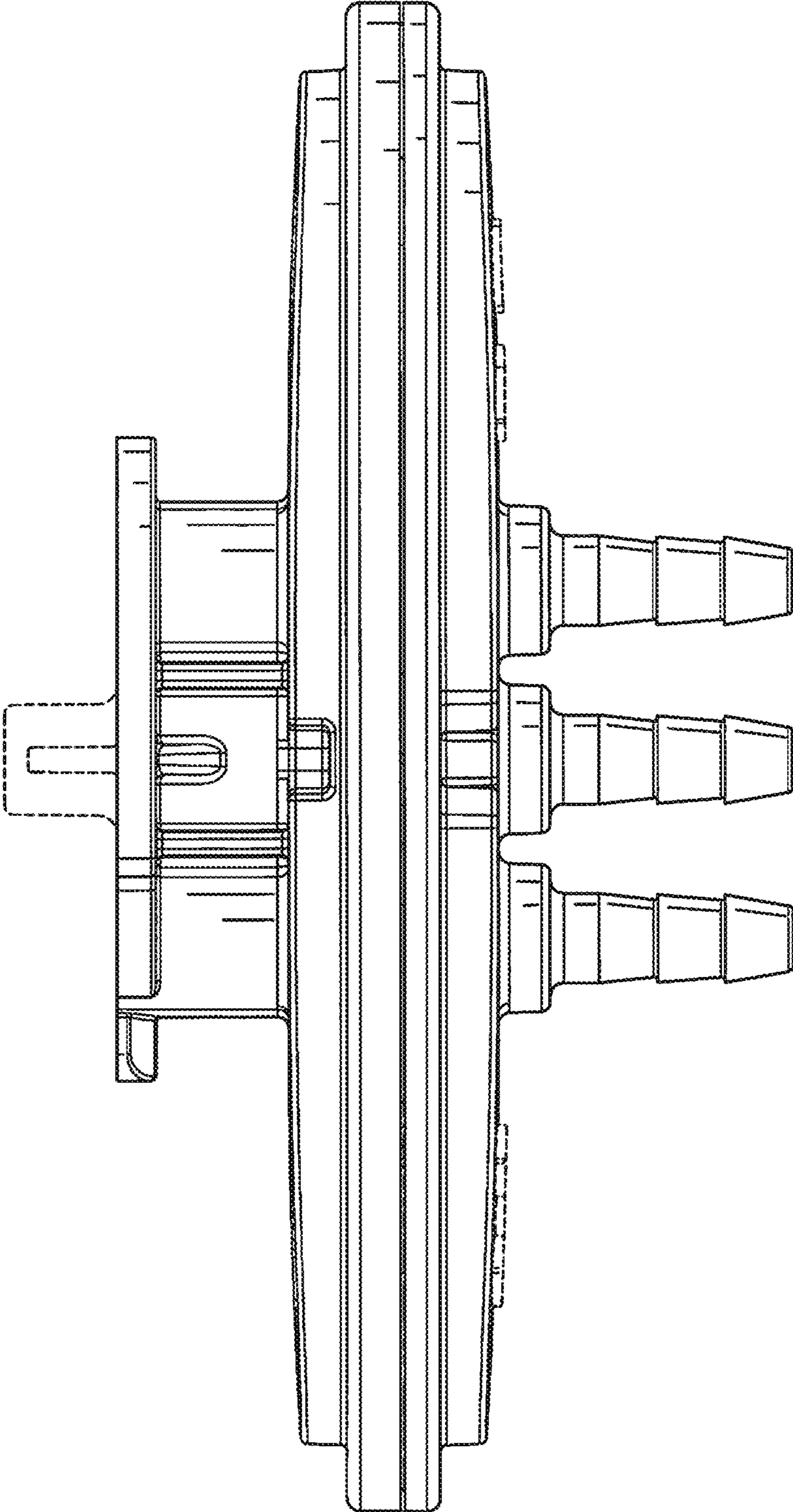


FIG. 6

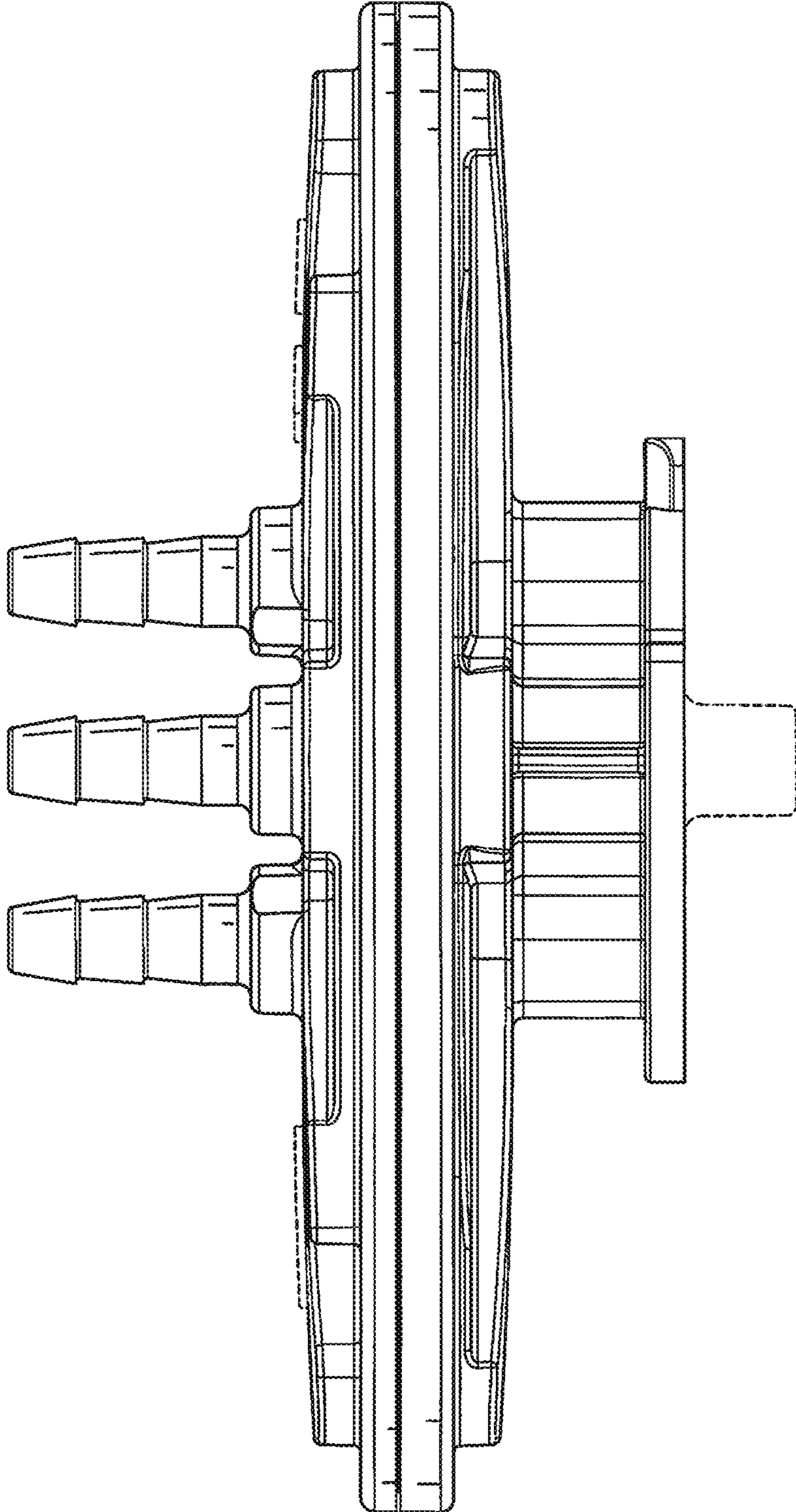


FIG. 7

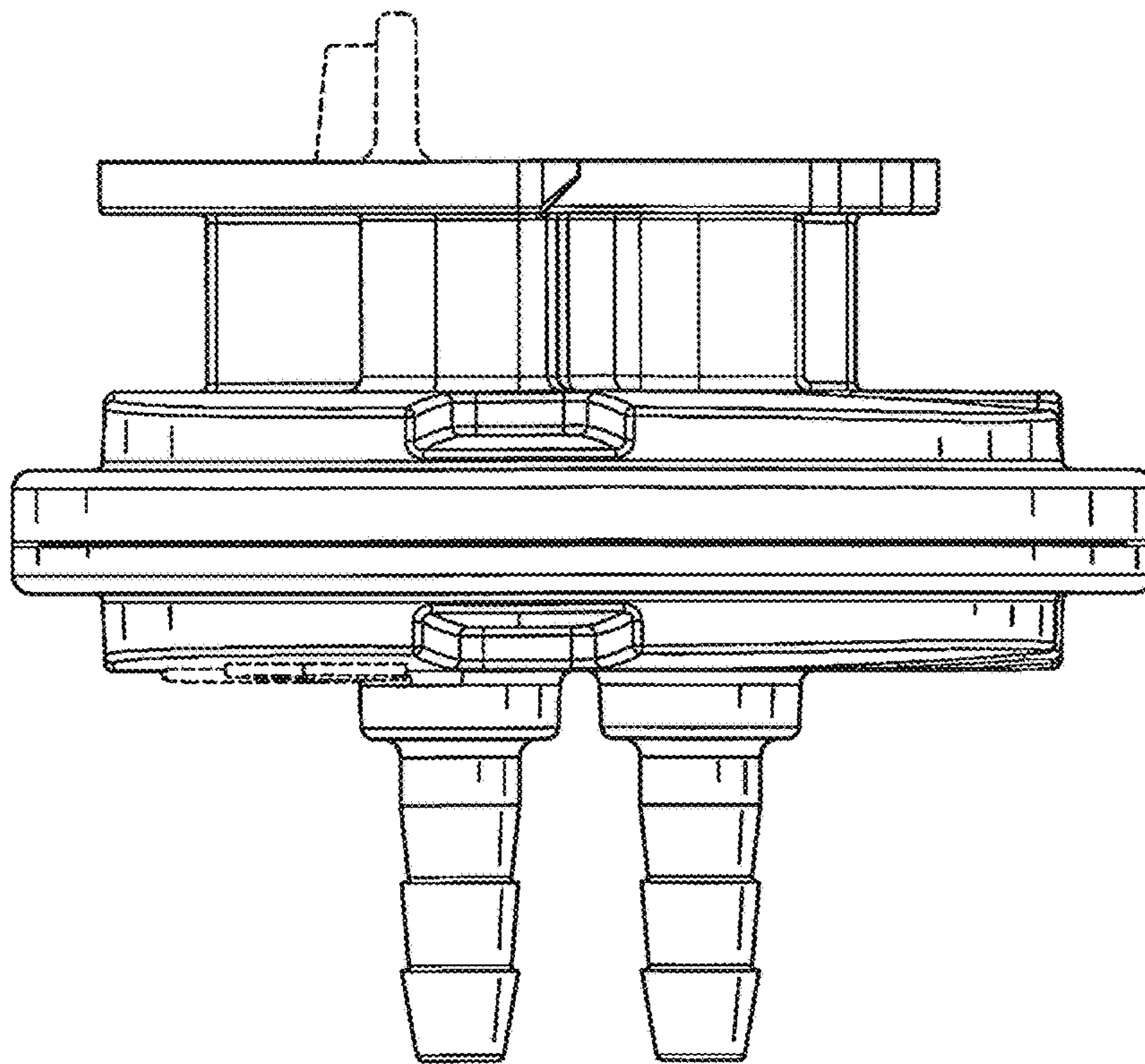


FIG. 8

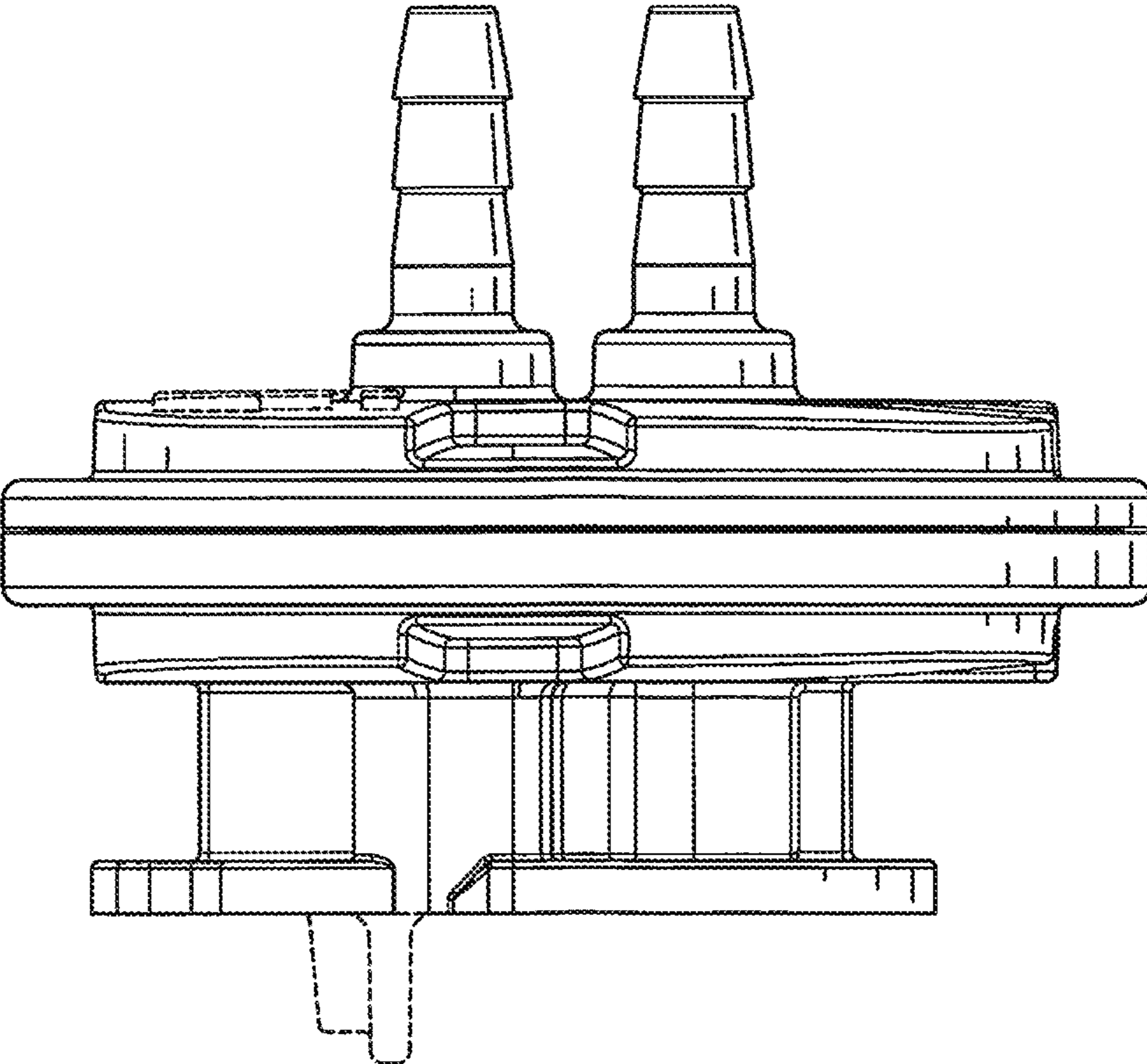


FIG. 9

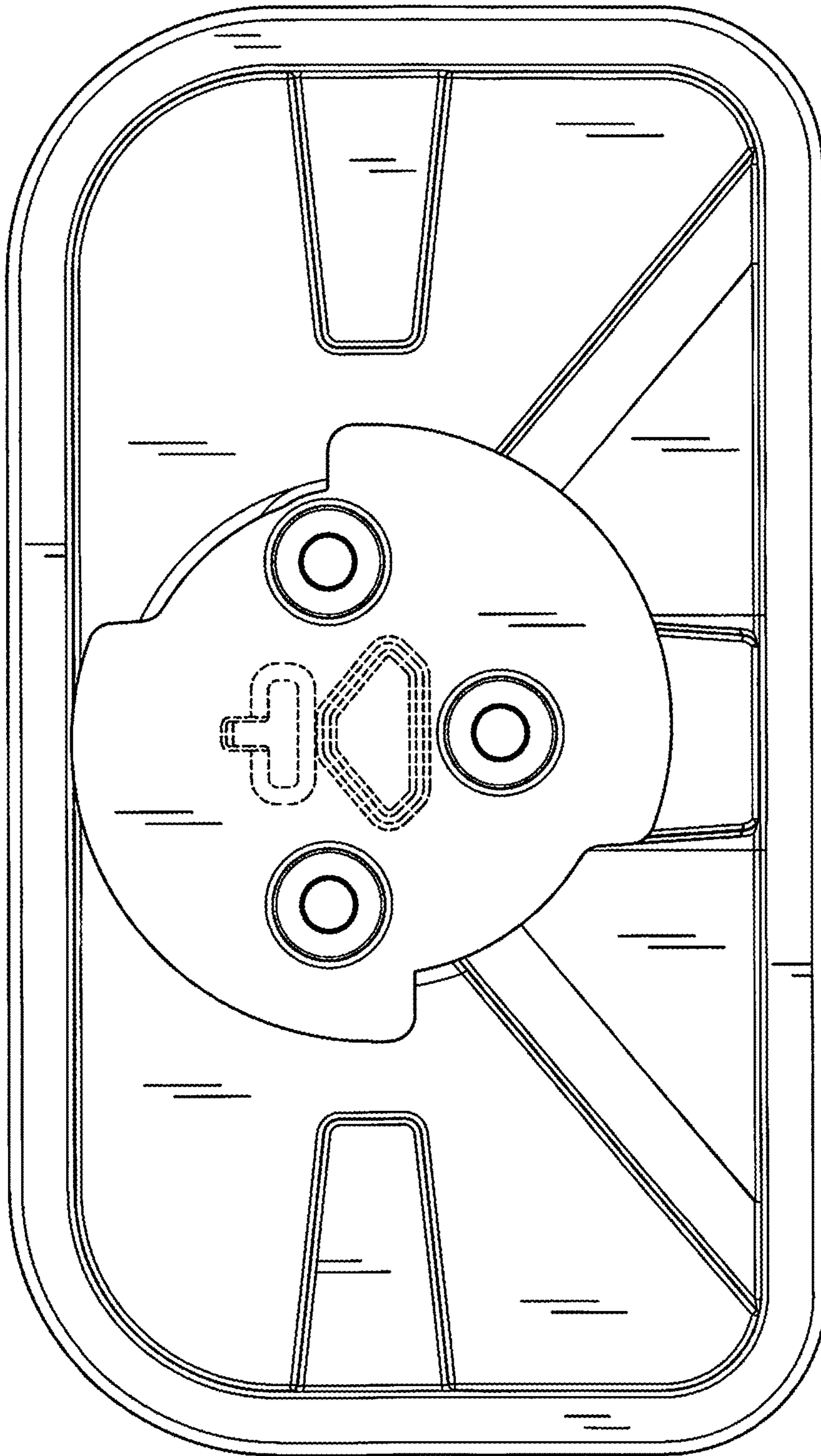


FIG. 10