

US00D834190S

(12) **United States Design Patent**
Choi

(10) **Patent No.:** **US D834,190 S**

(45) **Date of Patent:** **** Nov. 20, 2018**

(54) **SYRINGE FOR VAGINAL FEMININE HYGIENE**

(71) Applicant: **HAUDONGCHUN Co., Ltd.**, Seoul (KR)

(72) Inventor: **Won-seok Choi**, Seoul (KR)

(73) Assignee: **HAUDONGCHUN Co., Ltd.**, Seoul (KR)

(**) Term: **15 Years**

(21) Appl. No.: **29/610,770**

(22) Filed: **Jul. 14, 2017**

(30) **Foreign Application Priority Data**

Mar. 7, 2017 (KR) 30-2017-0010506

(51) **LOC (11) Cl.** **24-02**

(52) **U.S. Cl.**
USPC **D24/141; D24/114**

(58) **Field of Classification Search**
USPC D24/141, 133, 112, 114, 130
CPC A61M 31/007; A61M 3/0279; A61M 3/00;
A61M 3/0262; A61M 3/0283; A61M
5/178; A61M 5/20

See application file for complete search history.

(56) **References Cited**

U.S. PATENT DOCUMENTS

4,301,798 A * 11/1981 Anderson A61M 3/0283
604/278

4,496,341 A * 1/1985 Brucks A61M 31/007
604/14

6,669,703 B2 * 12/2003 Shue A61M 31/007
600/185
D515,209 S * 2/2006 Tarumi D24/114
D681,808 S * 5/2013 Holaschke D24/114
D726,313 S * 4/2015 Govers D24/141
D733,870 S * 7/2015 Broyles D24/114
2011/0208130 A1* 8/2011 Uy A61M 3/0262
604/256

FOREIGN PATENT DOCUMENTS

CN 304281042 * 3/2017

* cited by examiner

Primary Examiner — Wan Laymon

(74) *Attorney, Agent, or Firm* — Novick, Kim & Lee, PLLC; Jae Youn Kim

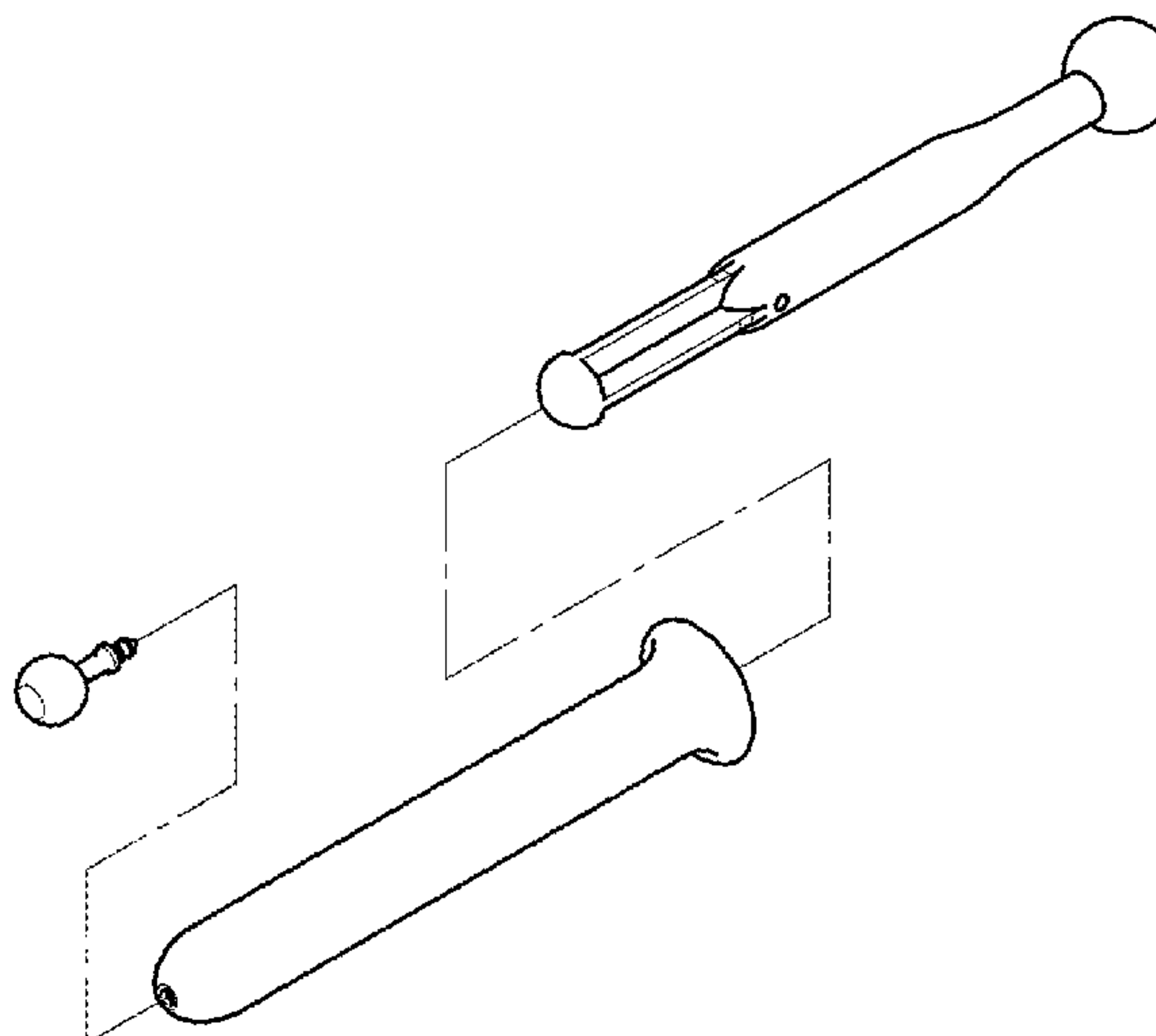
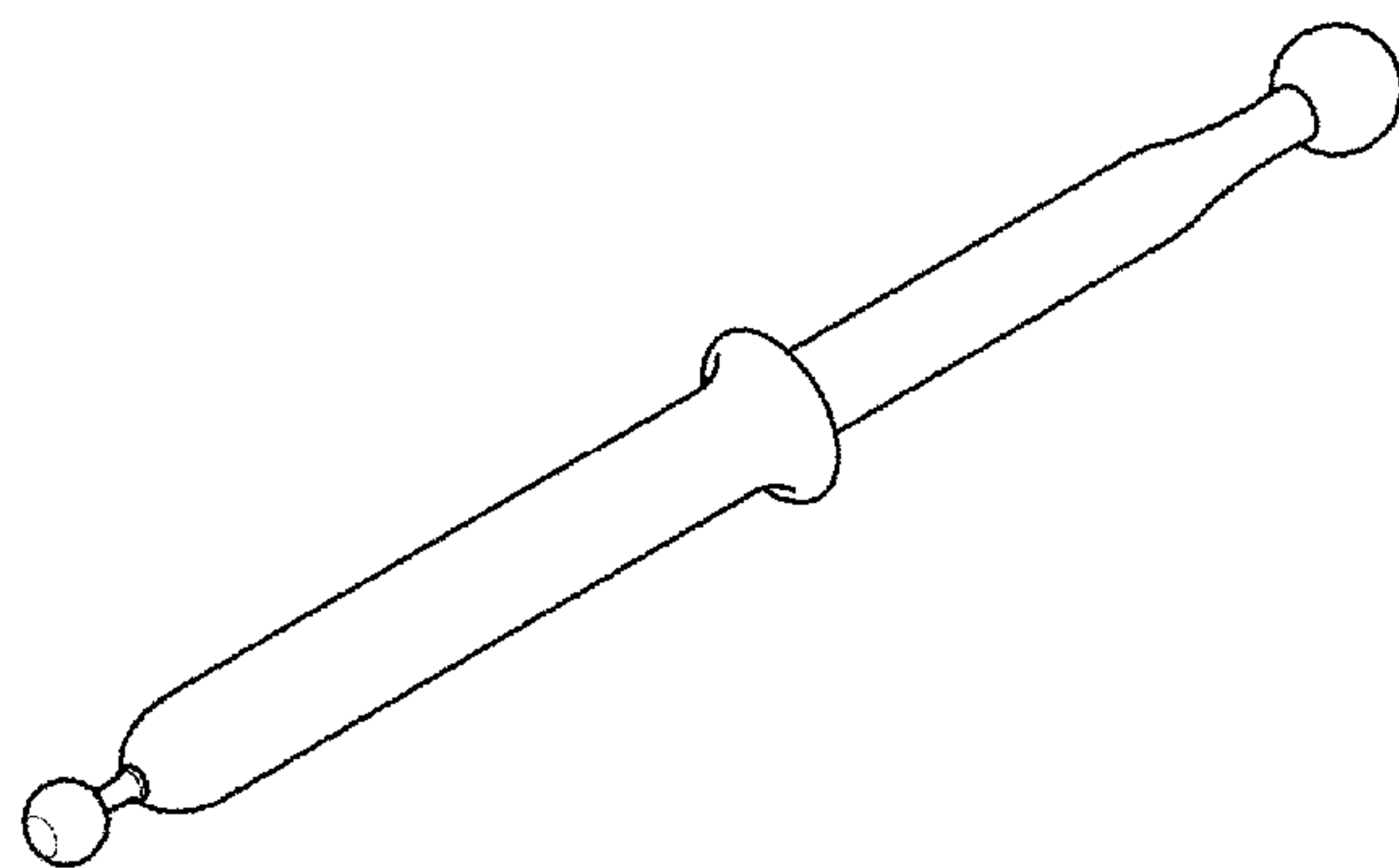
(57) **CLAIM**

I claim, the ornamental design for a syringe for vaginal feminine hygiene, as shown and described.

DESCRIPTION

FIG. 1 is a perspective view of a syringe for vaginal feminine hygiene, showing my new design;
FIG. 2 is a front elevational view thereof;
FIG. 3 is a rear elevational view thereof;
FIG. 4 is a left side elevational view thereof;
FIG. 5 is a right side elevational view thereof;
FIG. 6 is a top plan view thereof;
FIG. 7 is a bottom plan view thereof;
FIG. 8 is a cross-sectional view taken along line 8-8 of FIG. 4; and,
FIG. 9 is an exploded perspective view thereof.

1 Claim, 5 Drawing Sheets



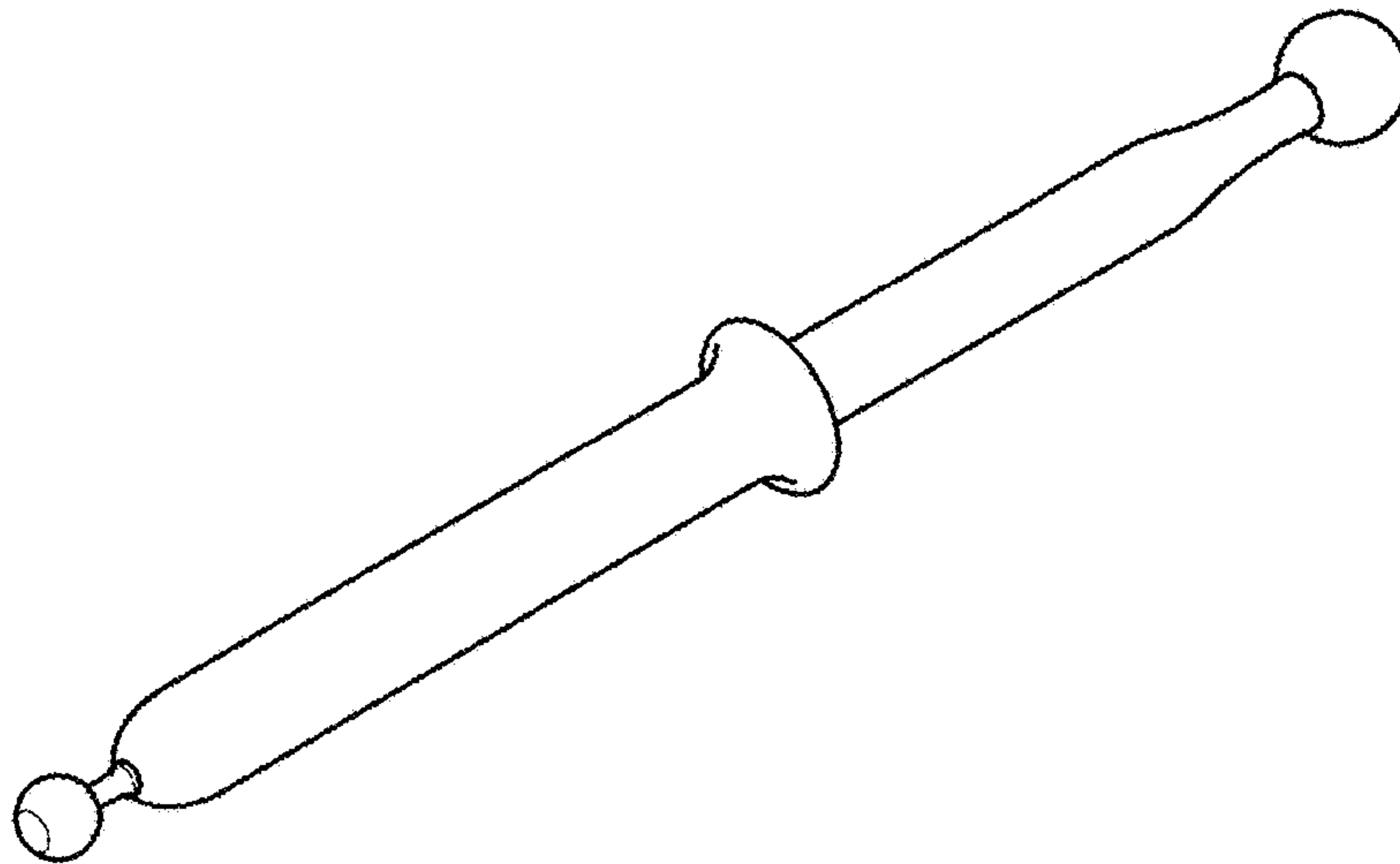


FIG. 1

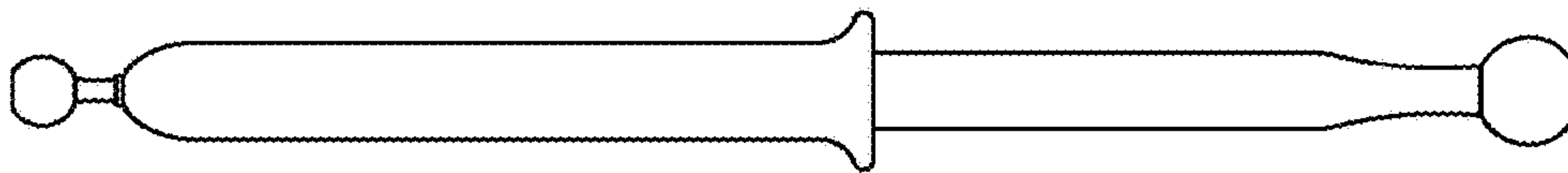


FIG. 2

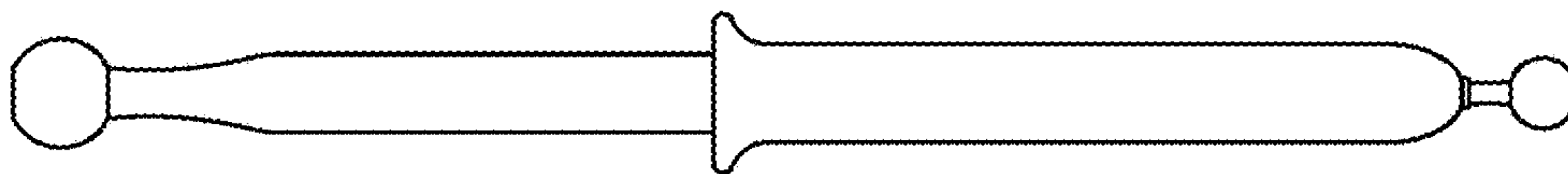


FIG. 3

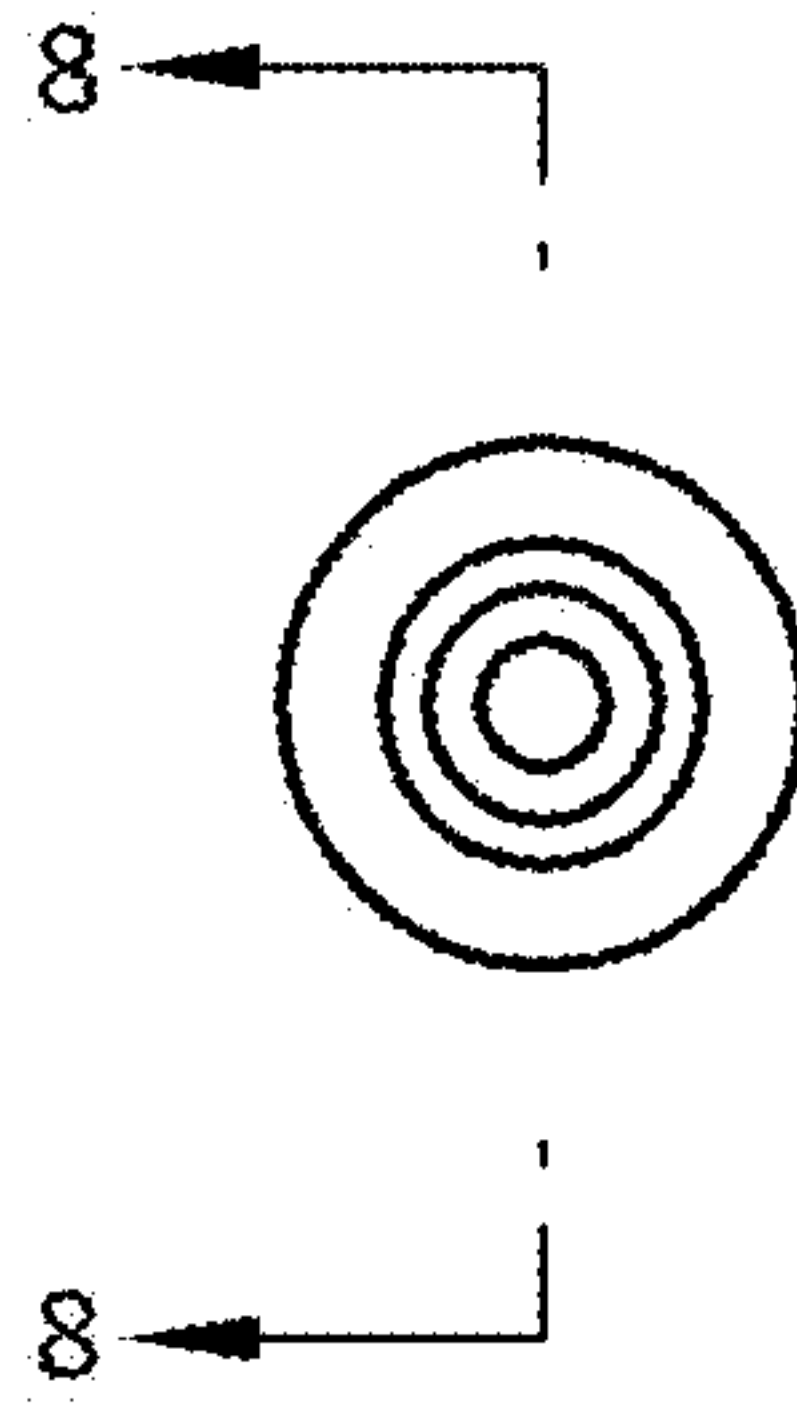


FIG. 4

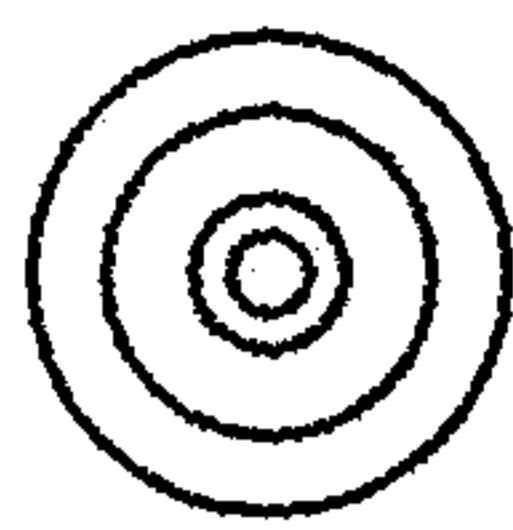


FIG. 5

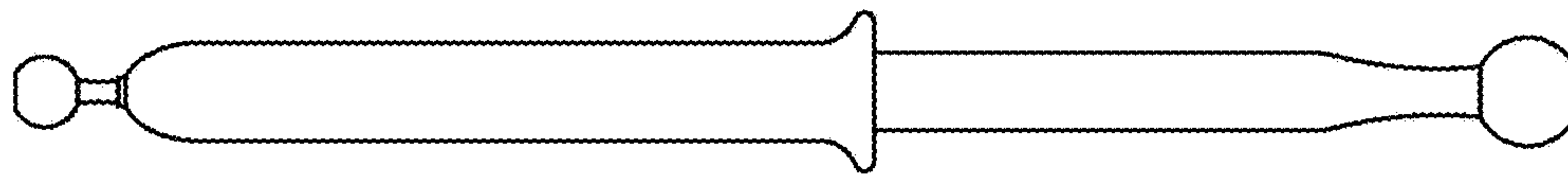


FIG. 6

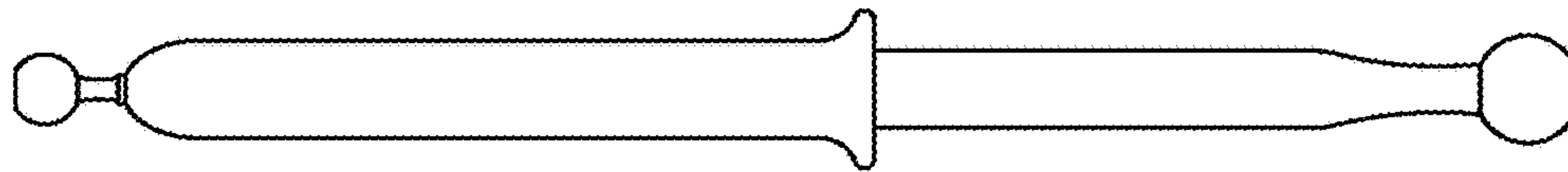


FIG. 7

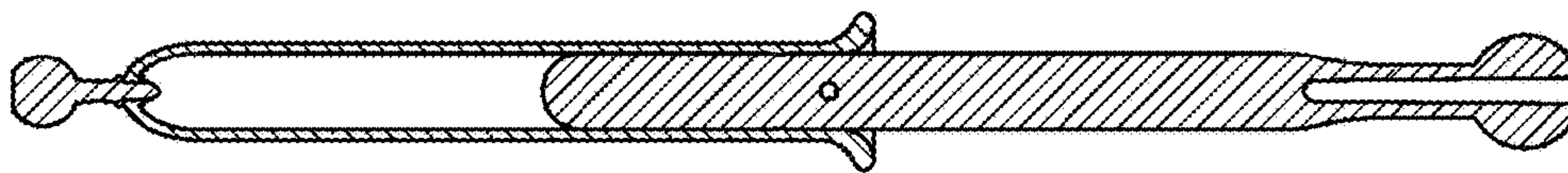


FIG. 8

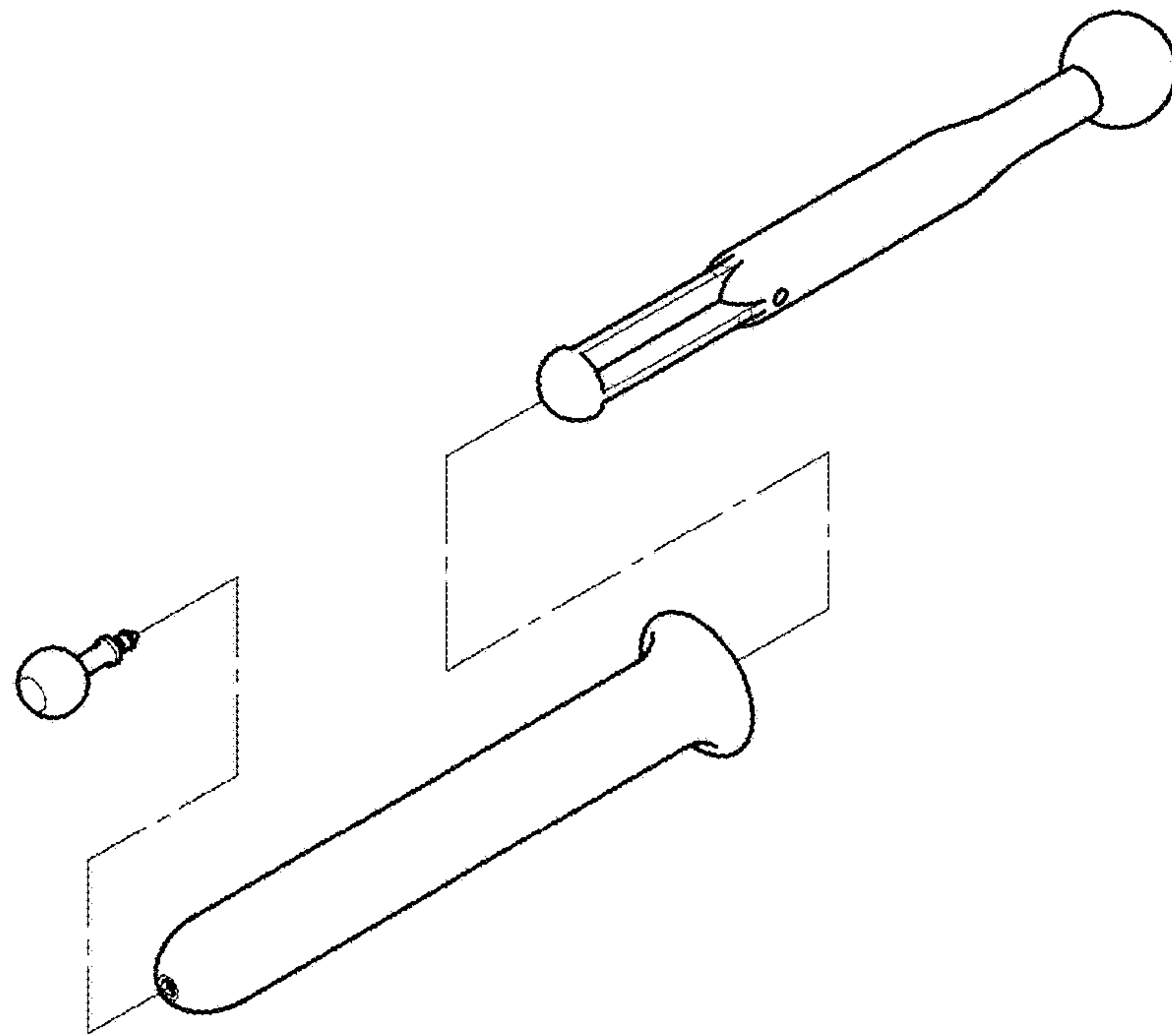


FIG. 9