



US00D834188S

(12) **United States Design Patent** (10) **Patent No.:** **US D834,188 S**
Alexander et al. (45) **Date of Patent:** **** *Nov. 20, 2018**

(54) **NASAL DILATOR**

CN202179770, Yongsheng Tian—English Translation. Apr. 4, 2012.

(71) Applicants: **Ian J. Alexander**, Los Alamos, NM (US); **Brian D. Owens**, Plano, TX (US)

Primary Examiner — Ian Simmons

Assistant Examiner — Samantha Q Lawrence

(72) Inventors: **Ian J. Alexander**, Los Alamos, NM (US); **Brian D. Owens**, Plano, TX (US)

(74) *Attorney, Agent, or Firm* — Goodhue, Coleman & Owens, P.C.

(73) Assignee: **SIMPLICITY, LLC**, Springville, UT (US)

(57) **CLAIM**

The ornamental design for a nasal dilator, as shown and described.

(*) Notice: This patent is subject to a terminal disclaimer.

DESCRIPTION

(**) Term: **14 Years**

FIG. 1 is a perspective view of a nasal dilator showing our new design;

(21) Appl. No.: **29/492,717**

FIG. 2 is an enlarged view of the left side of the nasal dilator shown in FIG. 1 taken along line 2;

(22) Filed: **Jun. 2, 2014**

FIG. 3 is an enlarged view of the right side of the nasal dilator shown in FIG. 1 taken along line 3;

(51) **LOC (11) Cl.** **24-02**

(52) **U.S. Cl.**
USPC **D24/135**

FIG. 4 is a front view of the nasal dilator;

(58) **Field of Classification Search**

USPC D24/106, 133, 135, 136, 152, 153, 154, D24/156; 600/104, 156, 208, 233, 431; 606/199; 604/94.01, 275, 514

See application file for complete search history.

FIG. 5 is an enlarged view of the left side of the nasal dilator shown in FIG. 4 taken along line 5;

FIG. 6 is an enlarged view of the right side of the nasal dilator shown in FIG. 4 taken along line 6;

FIG. 7 is a back view of the nasal dilator;

FIG. 8 is an enlarged view of the left side of the nasal dilator shown in FIG. 7 taken along line 8;

FIG. 9 is a top view of the nasal dilator;

FIG. 10 is an enlarged view of the left side of the nasal dilator shown in FIG. 9 taken along line 10;

FIG. 11 is an end view of the right side of the nasal dilator;

FIG. 12 is an enlarged view of FIG. 11;

FIG. 13 is an end view of the left side of the nasal dilator;

and,

FIG. 14 is an enlarged view of FIG. 13.

The broken line shown in FIGS. 1-14 illustrate portions of the nasal dilator that form no part of the claimed design. The broken lines immediately adjacent to the shaded areas represent the boundaries of the claimed design. None of the broken lines form part of the claimed design.

(56) **References Cited**

U.S. PATENT DOCUMENTS

D247,512 S * 3/1978 Sandler 606/191

D258,688 S * 3/1981 Hodge D24/112

(Continued)

FOREIGN PATENT DOCUMENTS

CN 202179770 4/2012

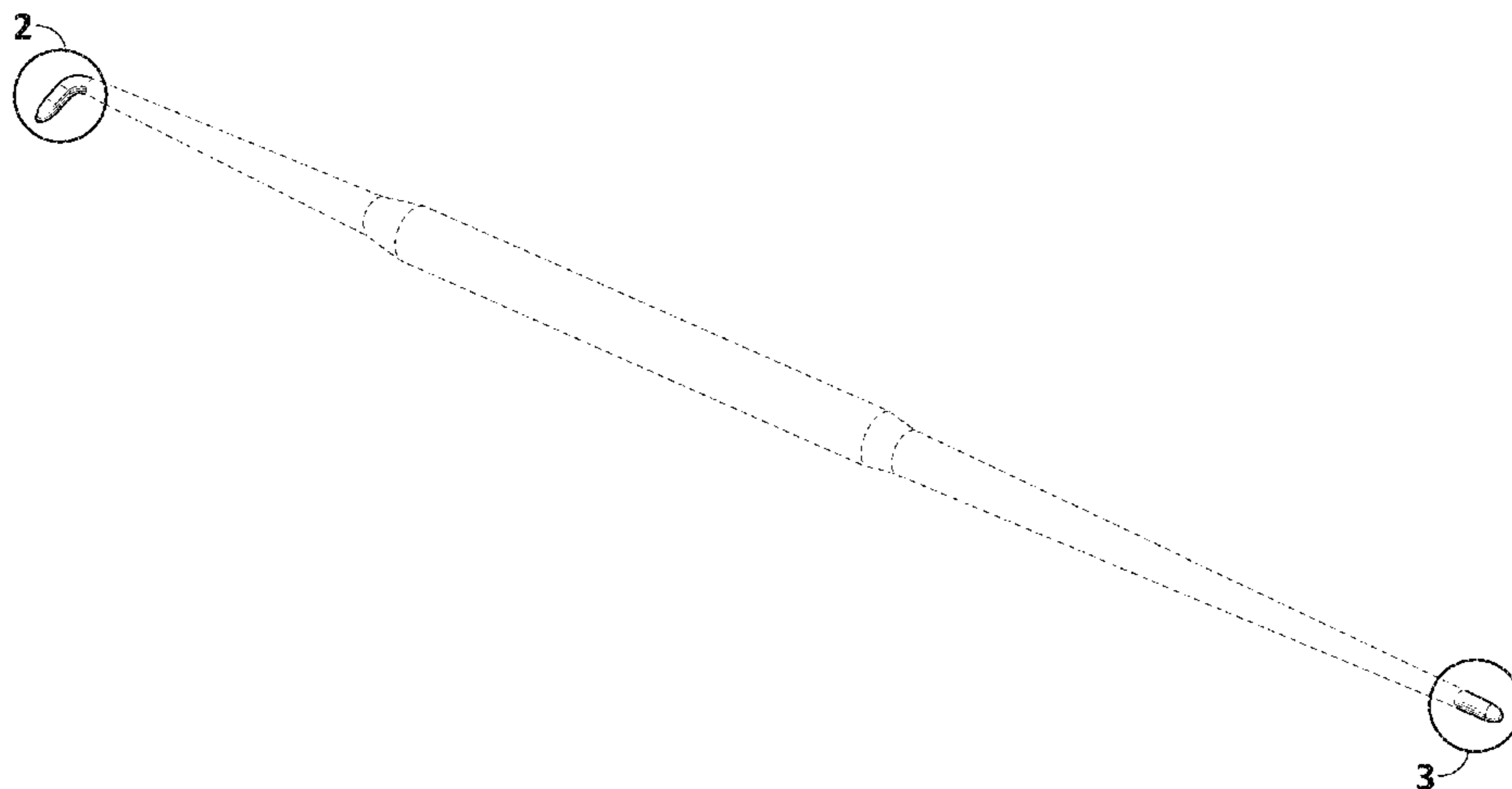
CN 102526868 7/2012

(Continued)

OTHER PUBLICATIONS

CN102526868, Xiuxiang Song—English Translation. Jul. 4, 2012.

1 Claim, 4 Drawing Sheets



(56)

References Cited

U.S. PATENT DOCUMENTS

D269,206 S * 5/1983 Glassman D24/135
 5,207,702 A * 5/1993 Pearl A61B 17/2812
 606/207
 5,284,128 A * 2/1994 Hart A61B 17/00234
 600/208
 D379,227 S 5/1997 Rosen
 D382,342 S 8/1997 Rosen
 D436,174 S 1/2001 Komamura
 D438,954 S 3/2001 Orsing
 D439,979 S 4/2001 Strobel et al.
 D442,687 S 5/2001 Schulz
 6,241,729 B1 * 6/2001 Estes A61B 17/025
 606/86 R
 D453,378 S 2/2002 Mangione
 D460,555 S * 7/2002 Holbrook D24/156
 D485,358 S 1/2004 Woo
 D516,722 S 3/2006 Mak
 D531,727 S 11/2006 Mak
 D571,468 S * 6/2008 Wu D24/133
 D571,913 S * 6/2008 Wu D24/133
 7,771,409 B2 8/2010 Chang et al.
 D623,741 S 9/2010 Kupferschmid et al.
 7,803,150 B2 9/2010 Chang et al.
 D627,460 S * 11/2010 Horton D24/133
 D629,896 S 12/2010 Horton
 D631,962 S 2/2011 Dorman

D644,737 S * 9/2011 Sono D24/146
 D648,021 S 11/2011 Dorman
 8,172,828 B2 5/2012 Chang et al.
 8,182,432 B2 5/2012 Kim et al.
 D665,076 S * 8/2012 Sauer D24/133
 D666,292 S * 8/2012 Miles D24/135
 D666,293 S * 8/2012 Miles D24/135
 8,679,103 B2 3/2014 Krespi
 8,721,591 B2 5/2014 Chang et al.
 8,834,513 B2 * 9/2014 Hanson A61B 17/24
 606/191
 D724,725 S * 3/2015 Chang D24/133
 D735,856 S * 8/2015 Koch D24/147
 9,138,569 B2 * 9/2015 Edgren A61F 2/04
 2012/0053404 A1 3/2012 Schreck et al.
 2012/0071857 A1 3/2012 Goldfarb et al.
 2012/0330345 A1 12/2012 Tasca
 2013/0253567 A1 9/2013 Edgren et al.
 2013/0274600 A1 * 10/2013 Jenkins A61B 1/07
 600/431
 2015/0066071 A1 * 3/2015 Alexander A61F 5/08
 606/199

FOREIGN PATENT DOCUMENTS

WO 2008036149 3/2008
 WO 2013155409 10/2013

* cited by examiner

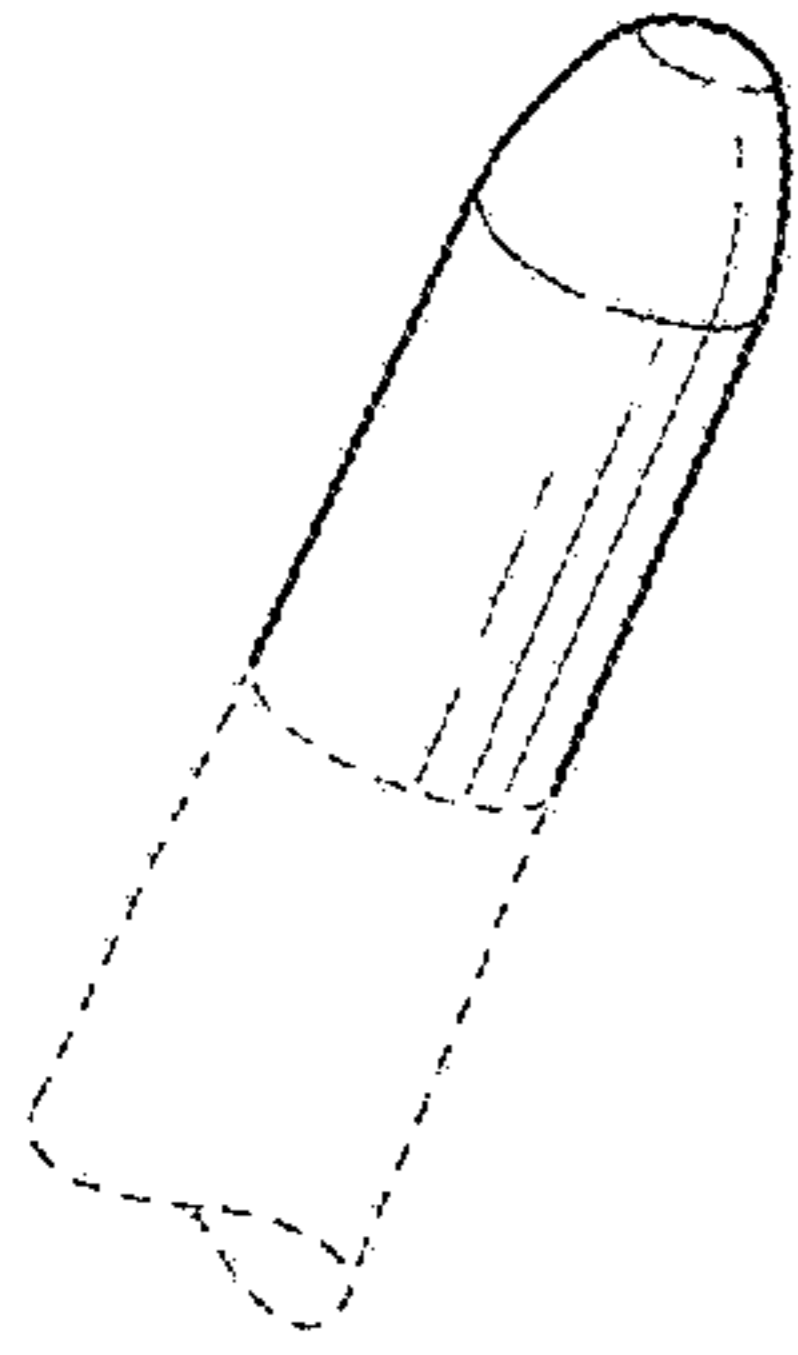


FIG. 3

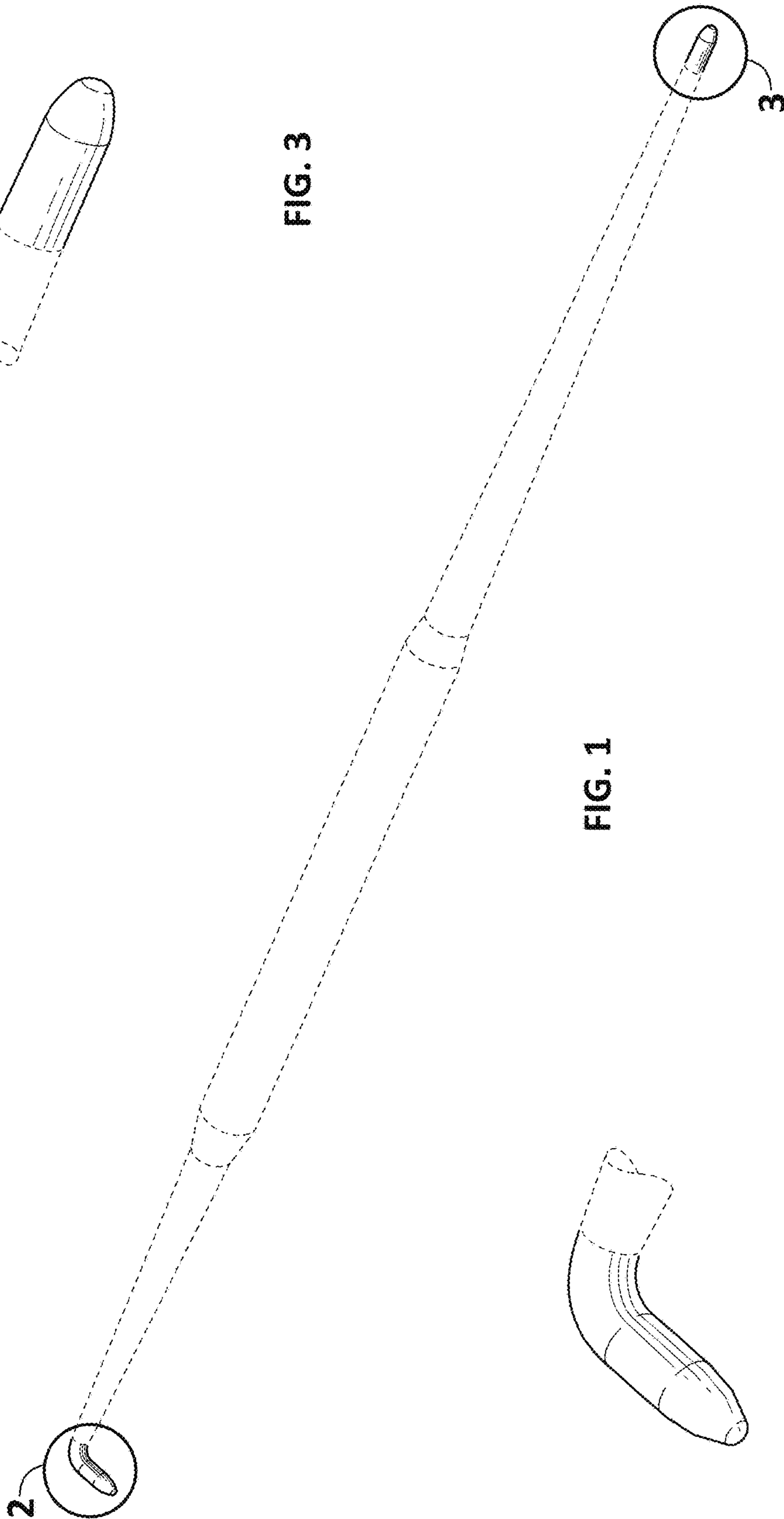


FIG. 1

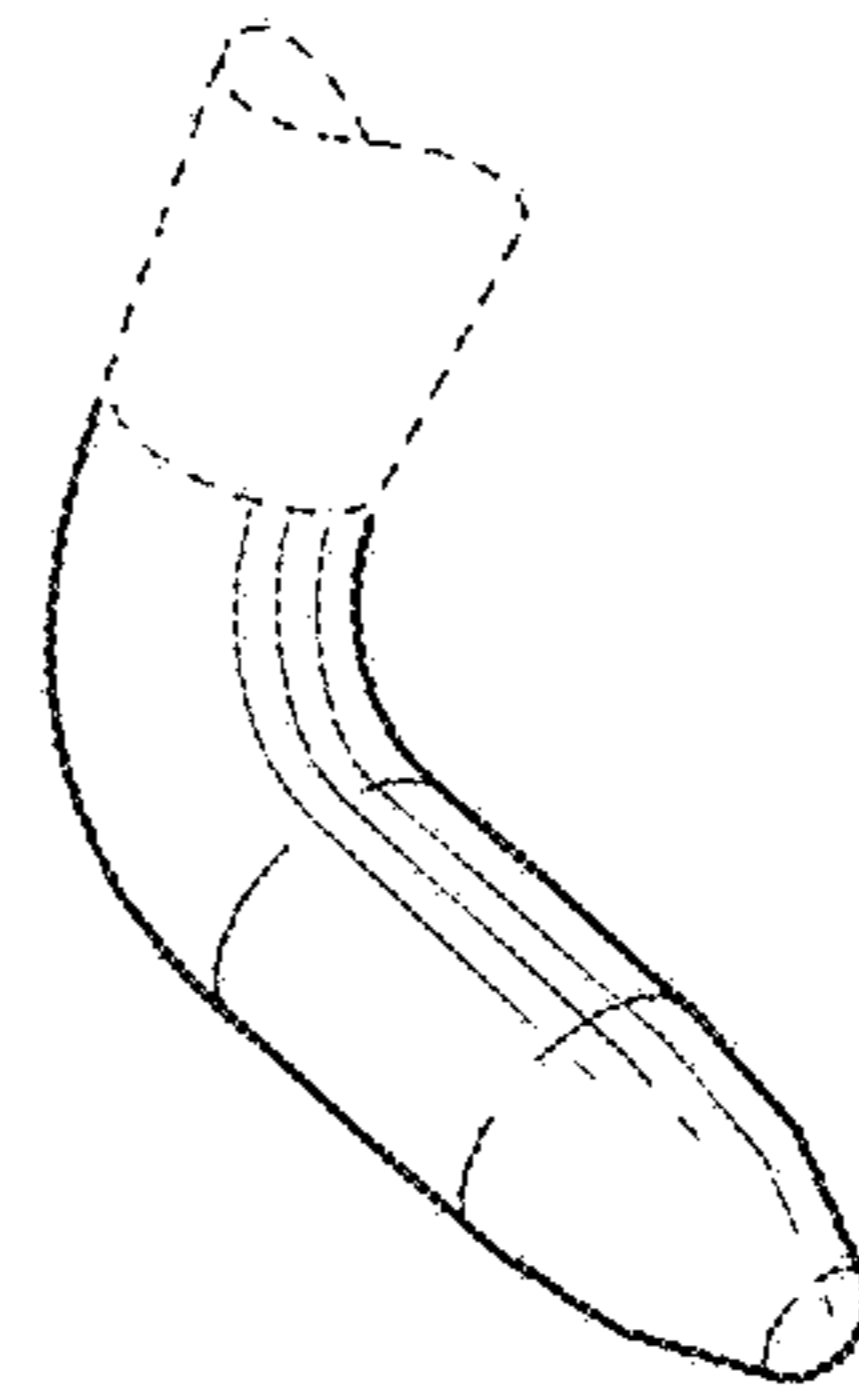


FIG. 2

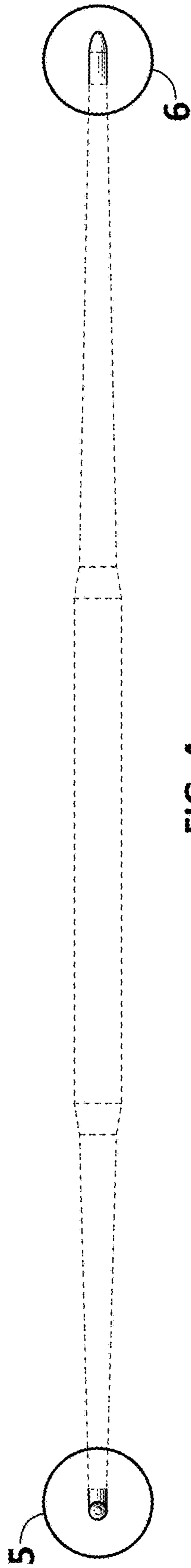


FIG. 4



FIG. 6

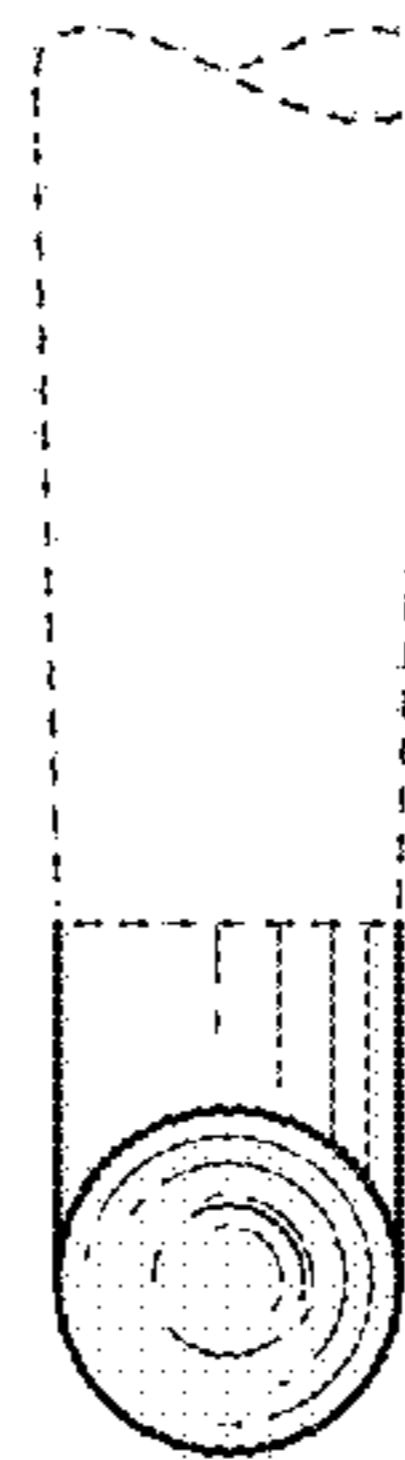


FIG. 5

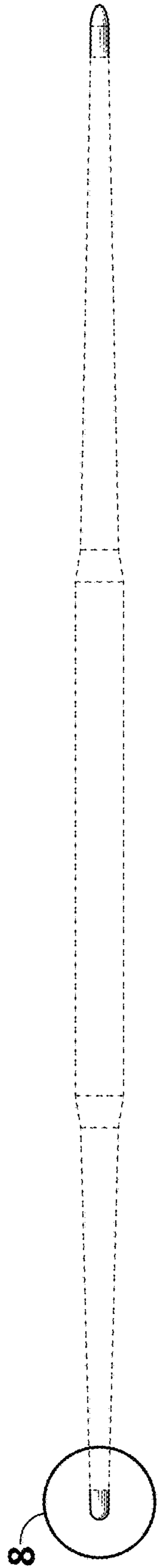


FIG. 7

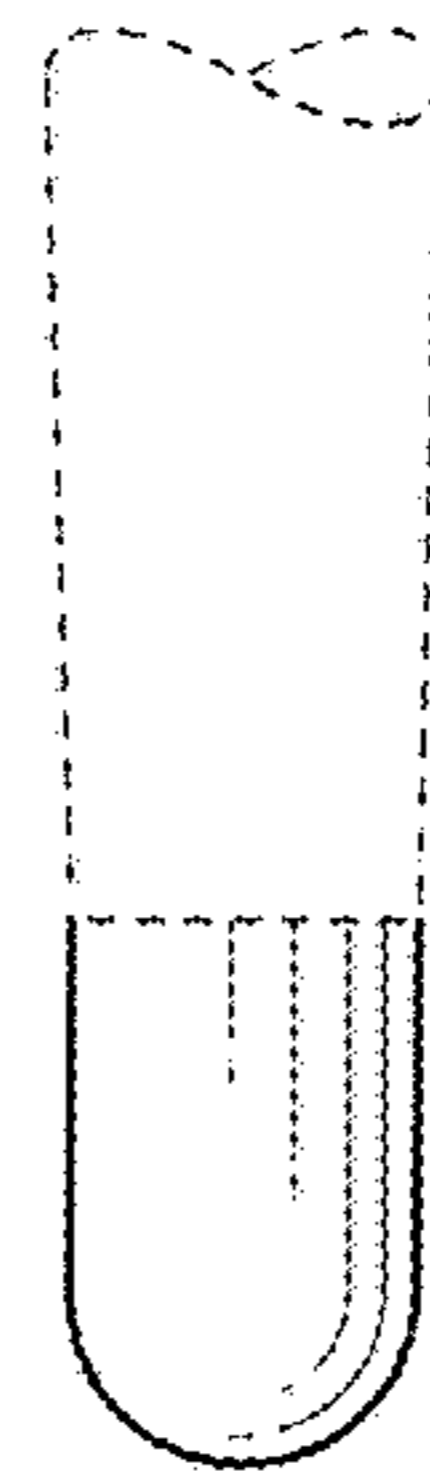


FIG. 8

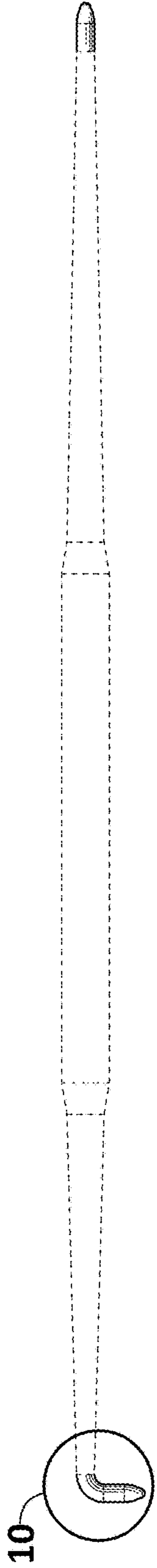


FIG. 9

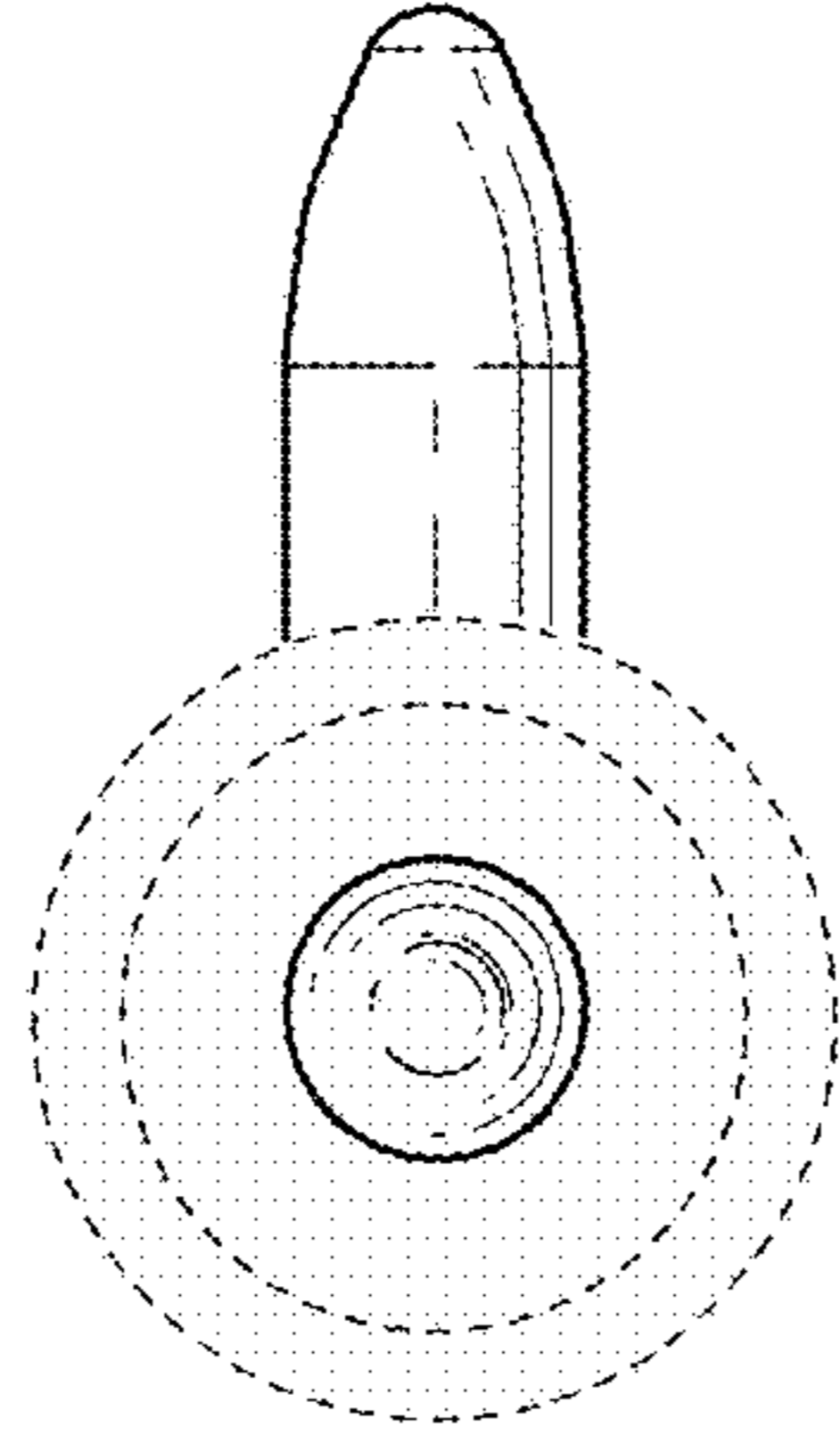


FIG. 12



FIG. 11

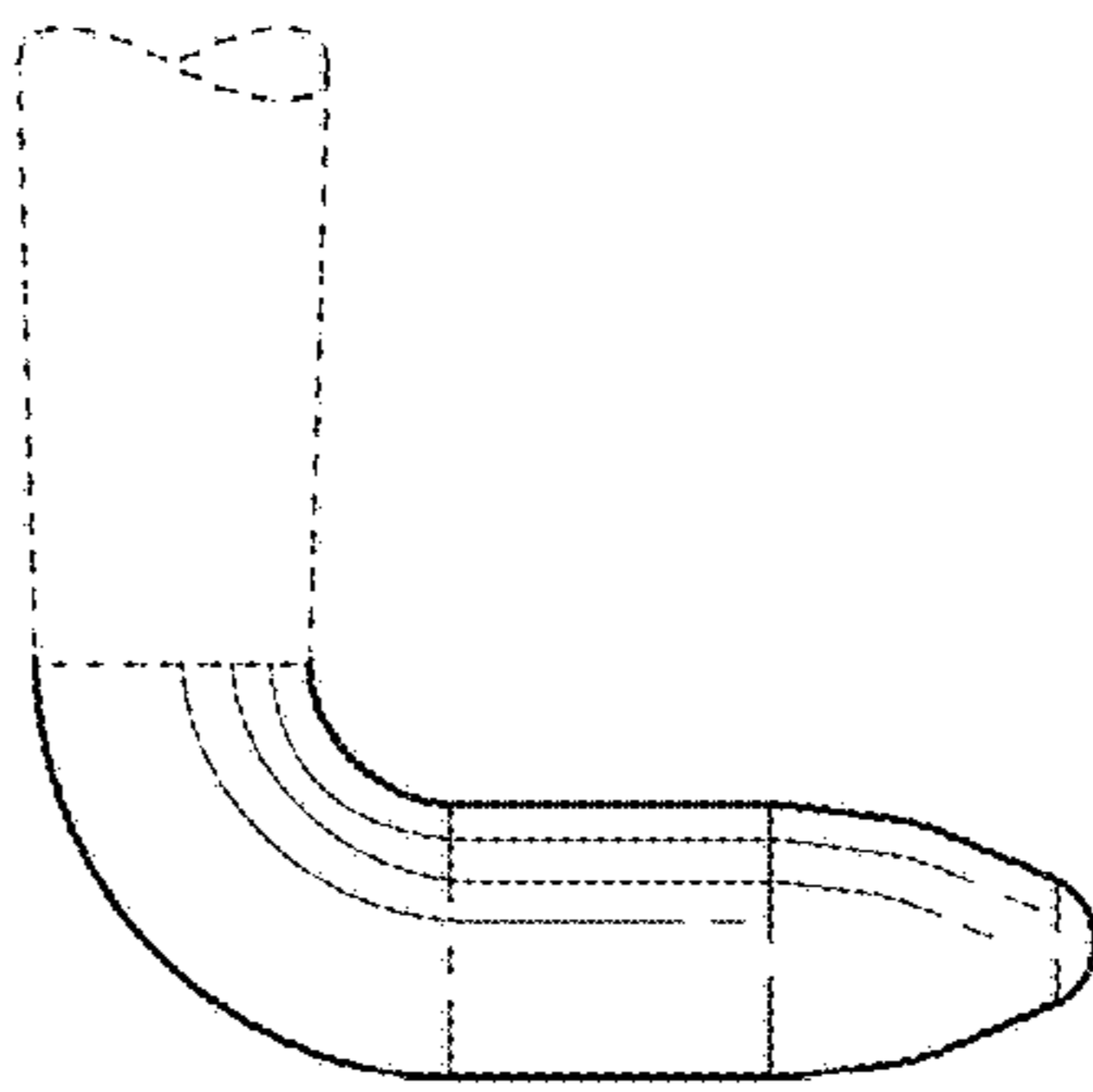


FIG. 10

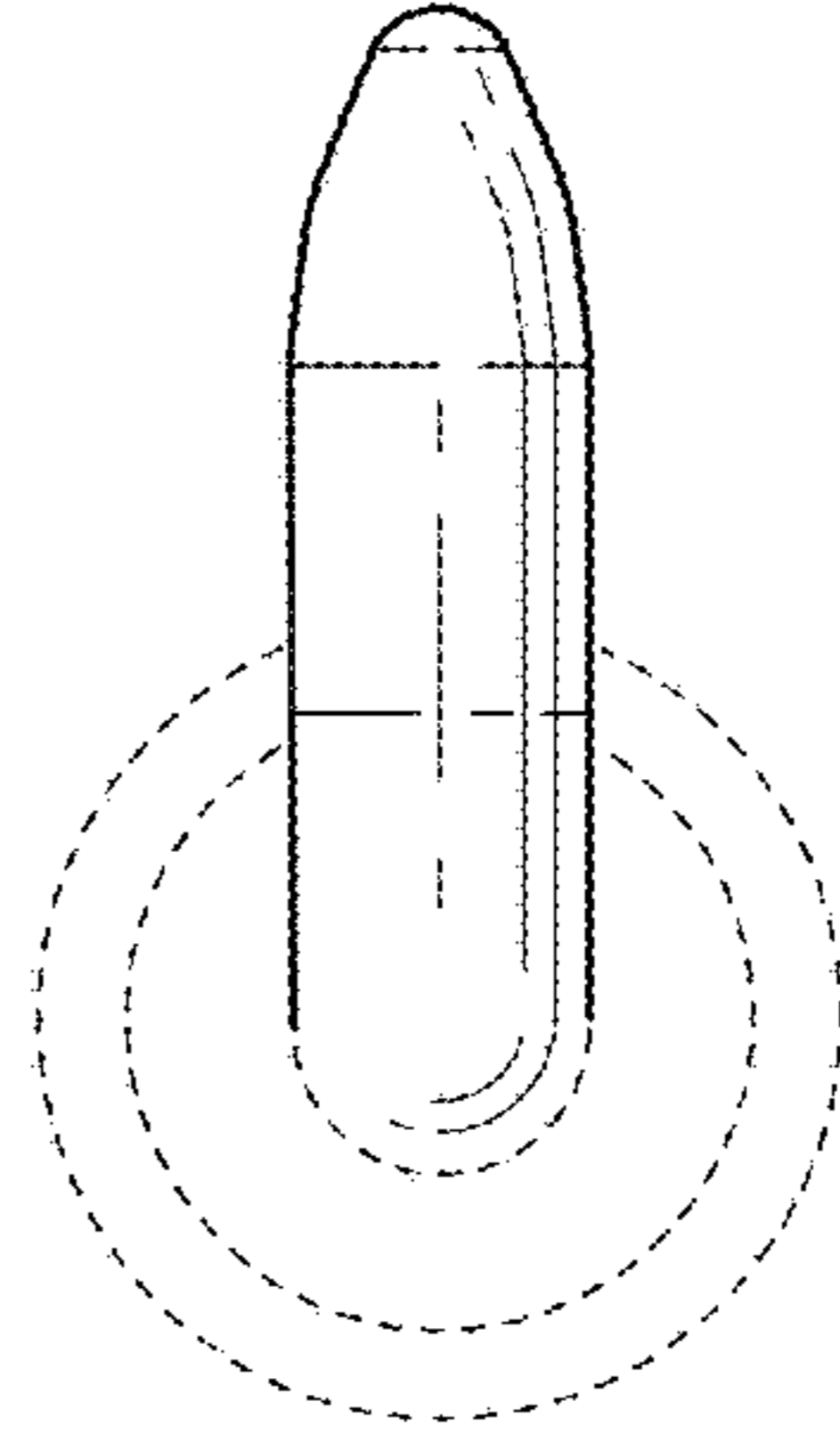


FIG. 14

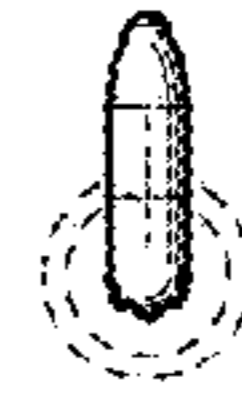


FIG. 13