



US00D834186S

(12) **United States Design Patent** (10) **Patent No.:** **US D834,186 S**
Lombardi, III et al. (45) **Date of Patent:** **** Nov. 20, 2018**

(54) **FLUID CONNECTOR COMPONENT**

(71) Applicant: **NORDSON CORPORATION**,
Westlake, OH (US)

(72) Inventors: **Francis J. Lombardi, III**, Erie, CO
(US); **Derrick S. Sjodin**, Bloomfield,
CO (US)

(73) Assignee: **Nordson Corporation**, Westlake, OH
(US)

(**) Term: **15 Years**

(21) Appl. No.: **29/561,327**

(22) Filed: **Apr. 15, 2016**

Related U.S. Application Data

(62) Division of application No. 29/523,796, filed on Apr. 14, 2015, now Pat. No. Des. 757,260, which is a division of application No. 29/466,839, filed on Sep. 12, 2013, now Pat. No. Des. 730,518.

(51) **LOC (11) Cl.** **24-02**

(52) **U.S. Cl.**
USPC **D24/129**

(58) **Field of Classification Search**

USPC D24/127-131, 112-114, 133, 186;
606/181, 185; 604/264, 272, 115, 232,
604/187, 158, 164.08, 192, 263, 163, 181,
604/184, 198, 227; 600/101, 139, 143;
128/200.24, 207.14, 207.15
CPC A61M 39/1011; F16L 37/0841; F16L
2201/20; F16L 2201/60
See application file for complete search history.

(56) **References Cited**

U.S. PATENT DOCUMENTS

5,799,987 A * 9/1998 Sampson F16L 37/252
285/373
D471,261 S * 3/2003 Kozu D23/262

D481,125 S * 10/2003 Hayamizu D24/129
D503,778 S * 4/2005 Wicks D23/259
7,108,297 B2 * 9/2006 Takayanagi F16L 37/0987
285/305
D547,447 S 7/2007 Bruce et al.
7,343,931 B2 * 3/2008 Packham F16L 37/32
137/614.03
D570,457 S * 6/2008 Brown D23/262
D594,130 S * 6/2009 Scocimara D24/133

(Continued)

OTHER PUBLICATIONS

nordson medical website, RQ series Quick Connects, Nov. 17, 2014,
<https://www.nordsonmedical.com/products/quickconnectmain.aspx>.*

(Continued)

Primary Examiner — David Muller

Assistant Examiner — Nathan Johnston

(74) *Attorney, Agent, or Firm* — Baker & Hostetler LLP

(57) **CLAIM**

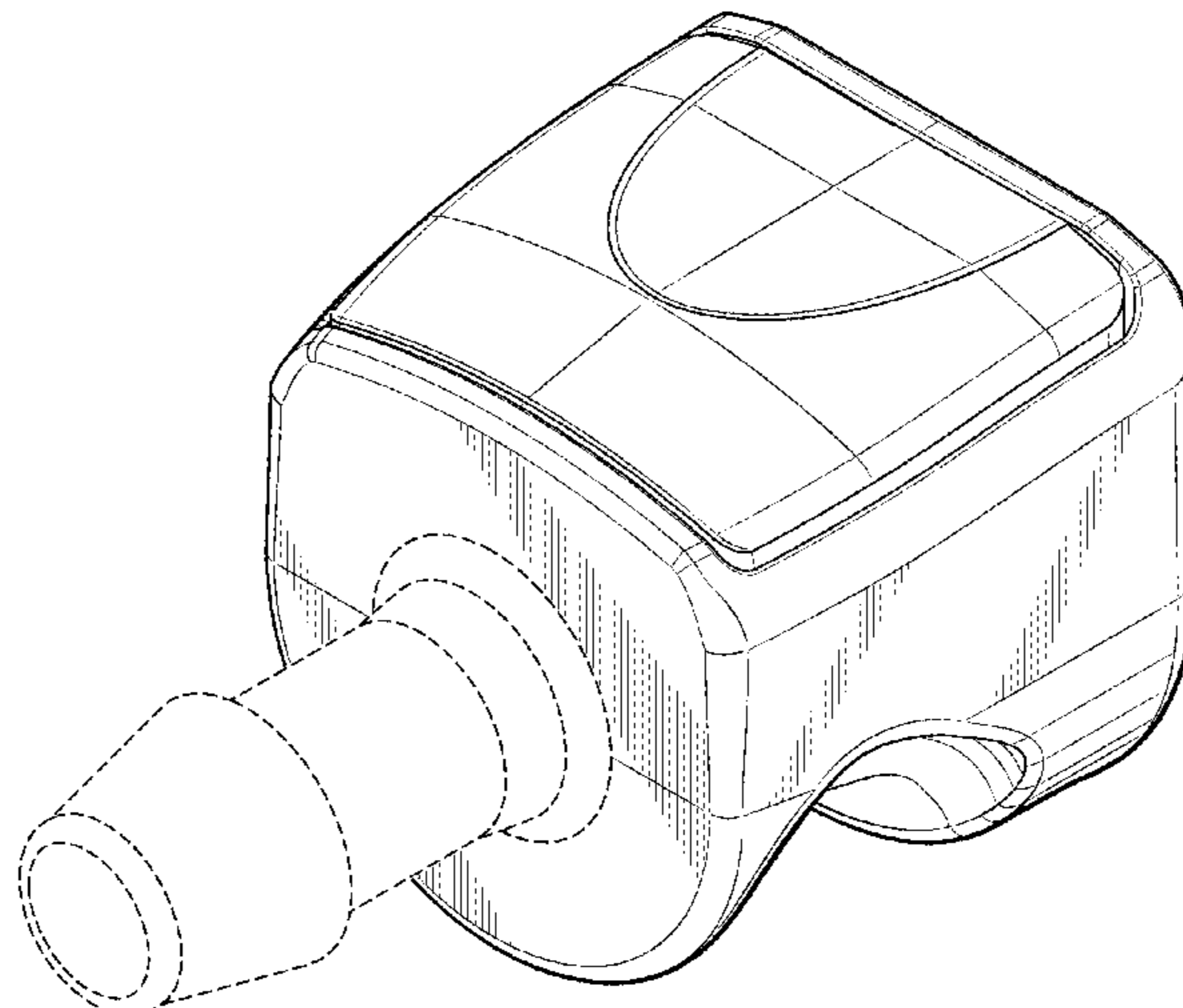
The ornamental design for a fluid connector component,
therefor as shown and described.

DESCRIPTION

FIG. 1 is a rear isometric view of a fluid connector component showing our new design;
FIG. 2 is a front isometric view thereof;
FIG. 3 is a front elevation view thereof;
FIG. 4 is a right side elevation view thereof;
FIG. 5 is a rear elevation view thereof;
FIG. 6 is a left side elevation view thereof;
FIG. 7 is a top plan view thereof; and,
FIG. 8 is a bottom plan view thereof.

The broken lines in the figures are shown for the purpose of illustrating boundaries of the claimed design and the areas inside the broken line boundaries form no part of the claimed design.

1 Claim, 5 Drawing Sheets



(56)

References Cited

U.S. PATENT DOCUMENTS

D601,697 S * 10/2009 Sobiech D24/107
 D612,019 S * 3/2010 Williams D23/262
 D627,880 S 11/2010 Ellis
 D627,881 S 11/2010 Ellis
 D630,320 S 1/2011 Lombardi, III et al.
 D631,960 S 2/2011 Myers
 D634,840 S 3/2011 Lombardi, III et al.
 8,020,551 B2 9/2011 Virr et al.
 D649,240 S 11/2011 Lewis et al.
 D650,478 S 12/2011 Lewis
 D652,510 S 1/2012 Lombardi, III et al.
 D652,511 S * 1/2012 Lombardi, III D24/129
 D663,022 S * 7/2012 Lombardi, III D24/129
 8,235,426 B2 8/2012 Pisula, Jr. et al.
 D678,512 S 3/2013 Bow
 D685,467 S * 7/2013 Strong D24/130
 D699,840 S 2/2014 Lombardi, III
 D699,841 S * 2/2014 Lombardi, III D24/129
 D726,287 S * 4/2015 Steele D23/262
 D730,518 S * 5/2015 Lombardi, III D24/129
 D733,265 S 6/2015 Eriksen
 9,046,205 B2 6/2015 Whitaker et al.
 9,072,860 B2 * 7/2015 Lithgow A61M 16/00
 9,334,995 B2 * 5/2016 Kremer F16L 37/248

D788,890 S * 6/2017 Downs F16L 37/0841
 D23/262
 9,750,964 B2 * 9/2017 Richardson A62C 33/00
 9,759,365 B2 * 9/2017 Battisti F16L 37/08
 2007/0169825 A1 7/2007 Packham et al.
 2008/0110455 A1 5/2008 Dunsmore et al.
 2012/0227221 A1 9/2012 Whitaker et al.
 2013/0320672 A1 12/2013 Steele
 2015/0013809 A1 1/2015 Lopez et al.
 2015/0076815 A1 3/2015 Lombardi et al.
 2015/0115598 A1 4/2015 Lombardi
 2016/0121097 A1 * 5/2016 Steele A61M 39/20
 138/89
 2016/0305574 A1 * 10/2016 Burdge A61M 39/1011
 2017/0146166 A1 * 5/2017 Surjaatmadja F16L 21/06
 2017/0224975 A1 * 8/2017 Peer A61M 39/10
 2017/0284582 A1 * 10/2017 Lombardi F16L 37/0841

OTHER PUBLICATIONS

Nordson Medical, RQF655 Female Open Flow Connector, 600 Series Jan. 17, 2014, http://www.nordsonmedical.com/technical/part_drawings/RQCF655-6005.pdf.
 Nordson Medical, RQCM655 Series Male Open Flow Connector, 600 Series Barb, Jan. 22, 2014, http://www.nordsonmedical.com/technical/part_drawings/RQCM655-6005.pdf.

* cited by examiner

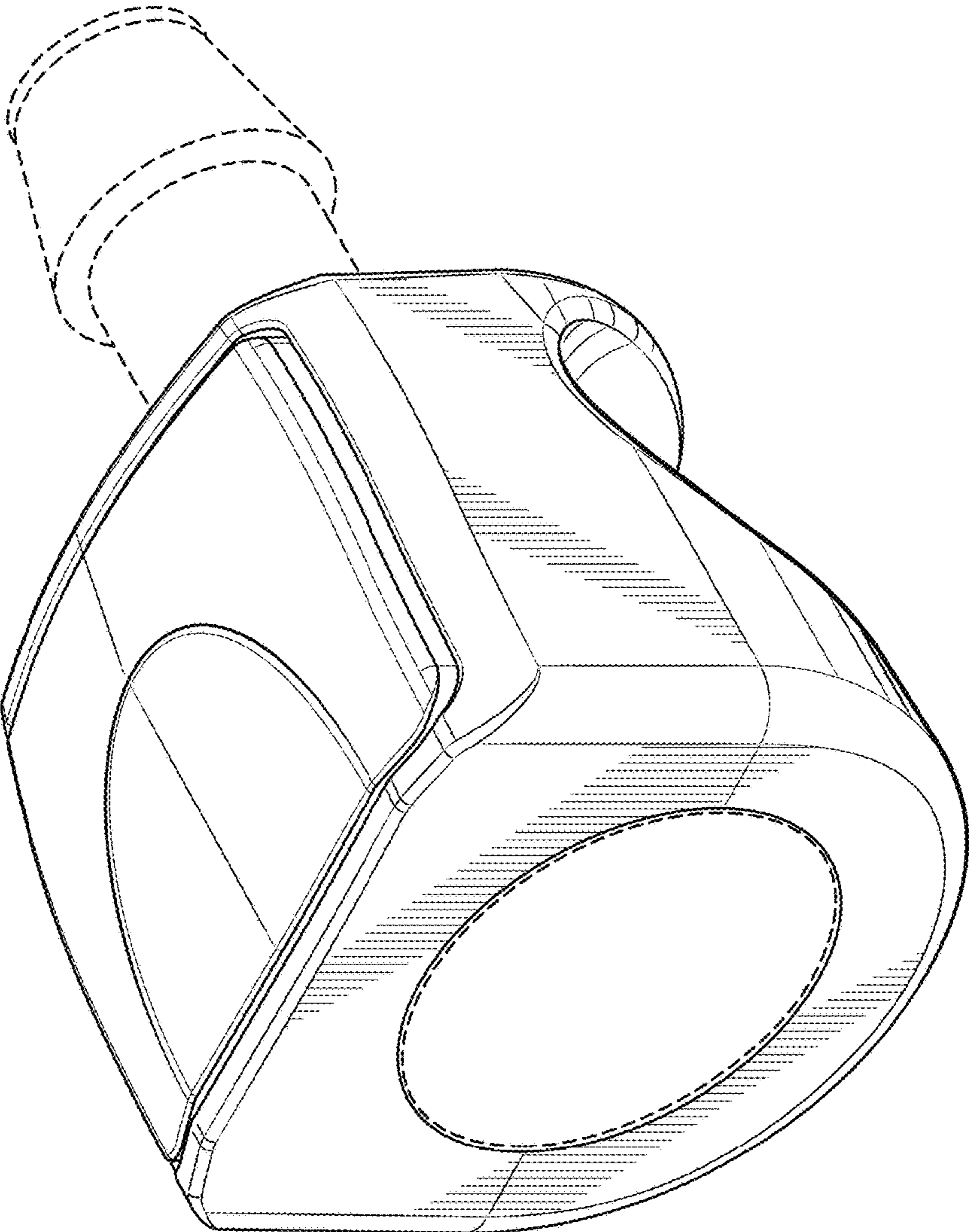


FIG. 1

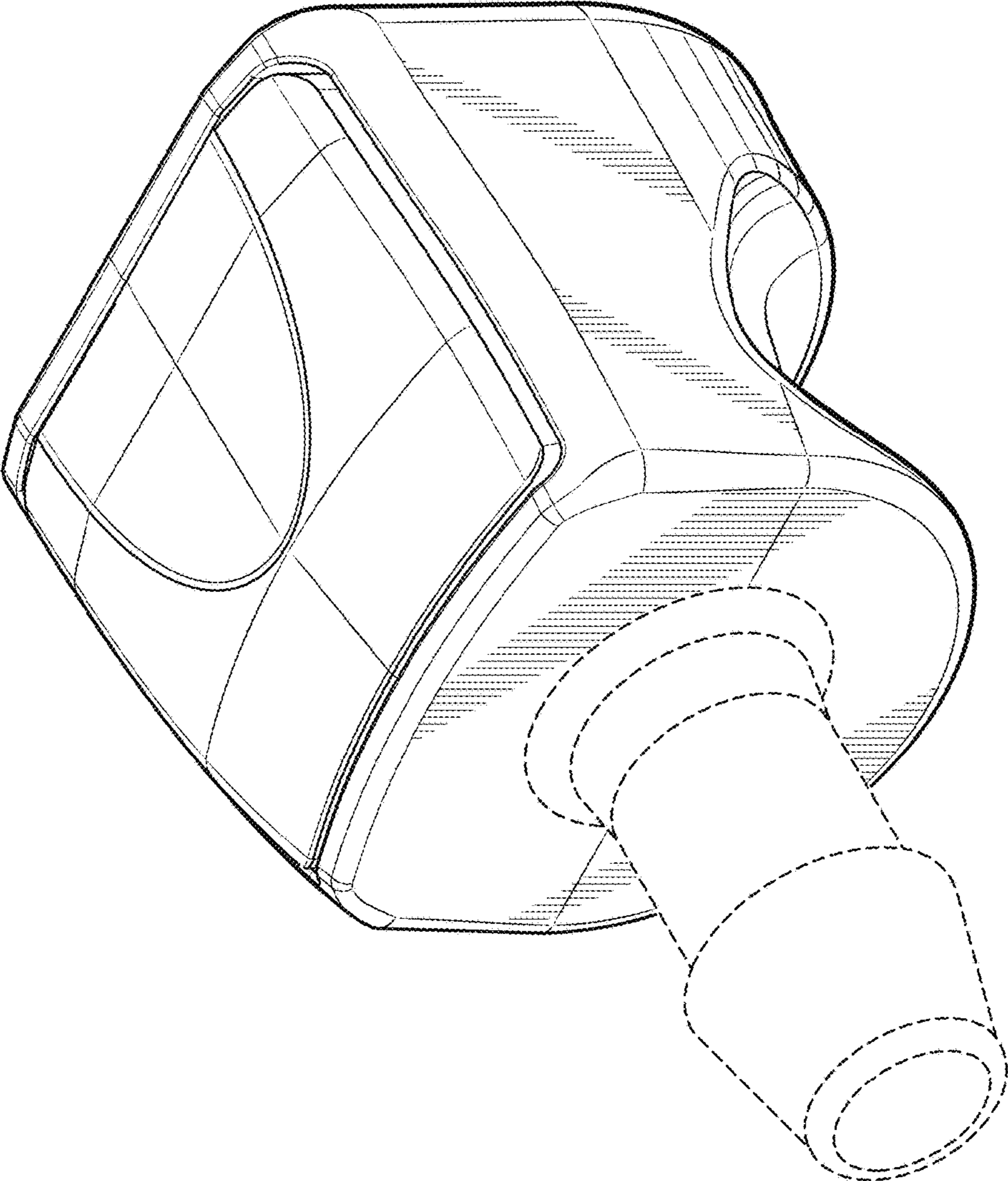


FIG. 2

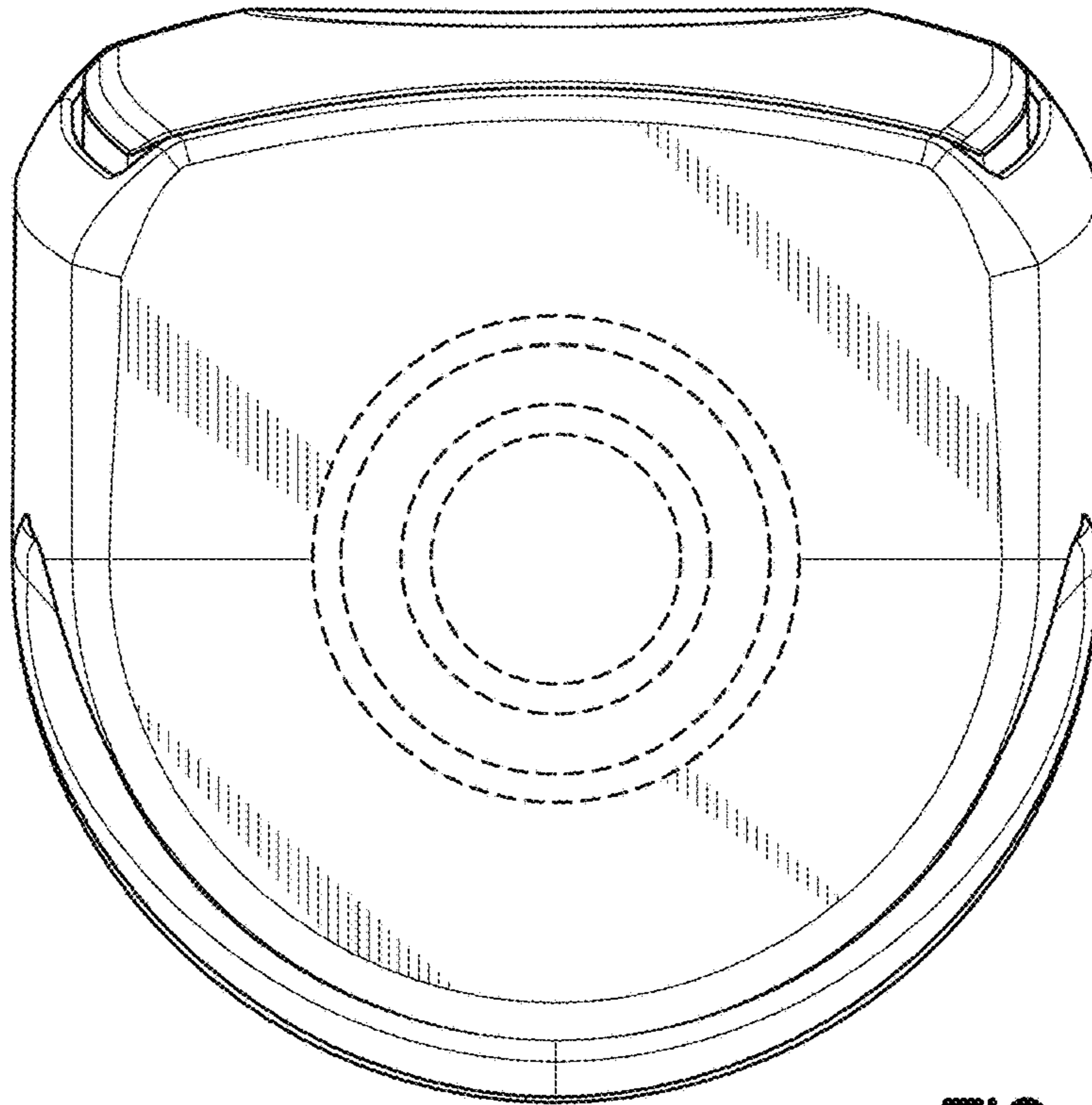


FIG. 3

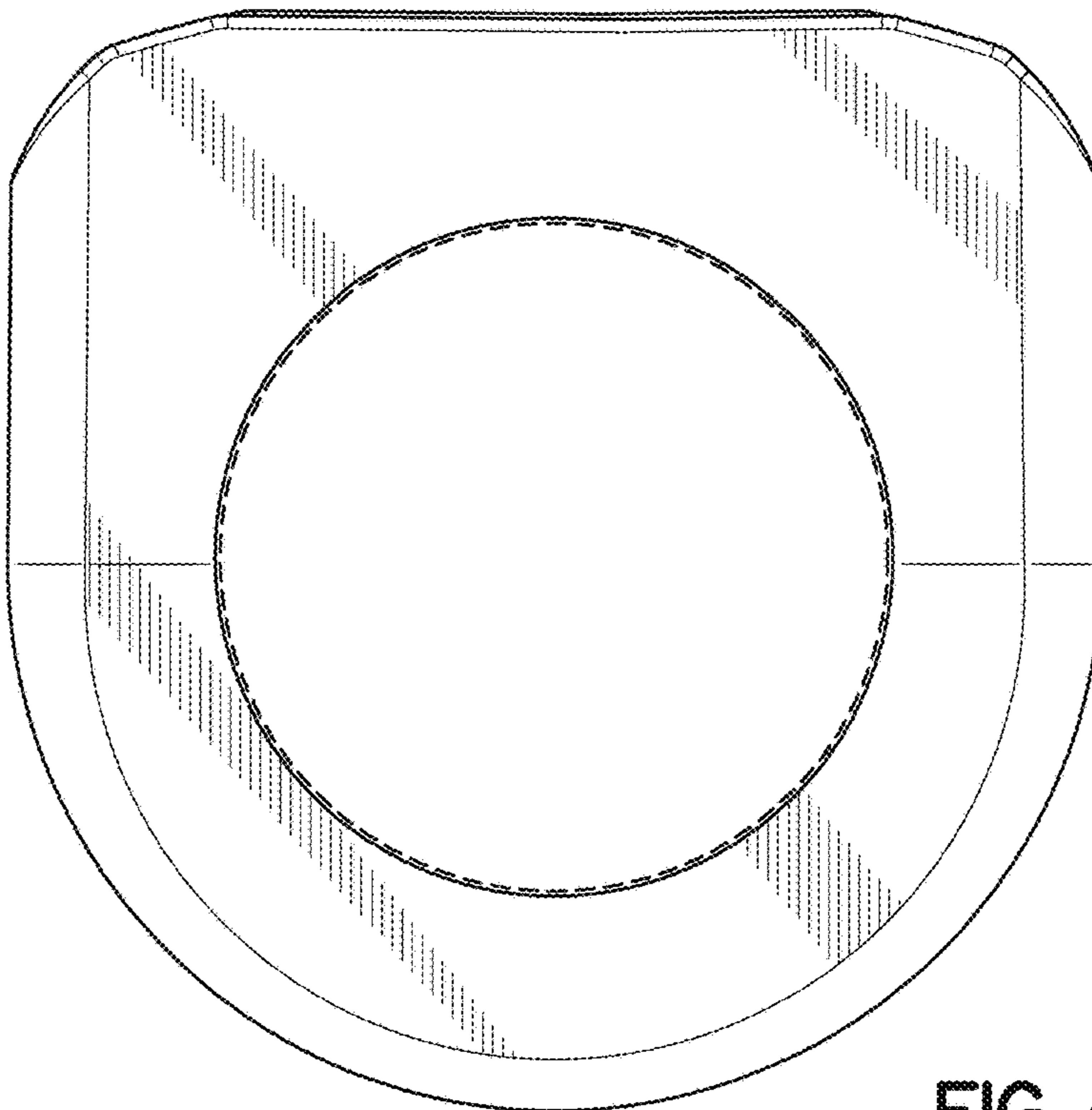


FIG. 4

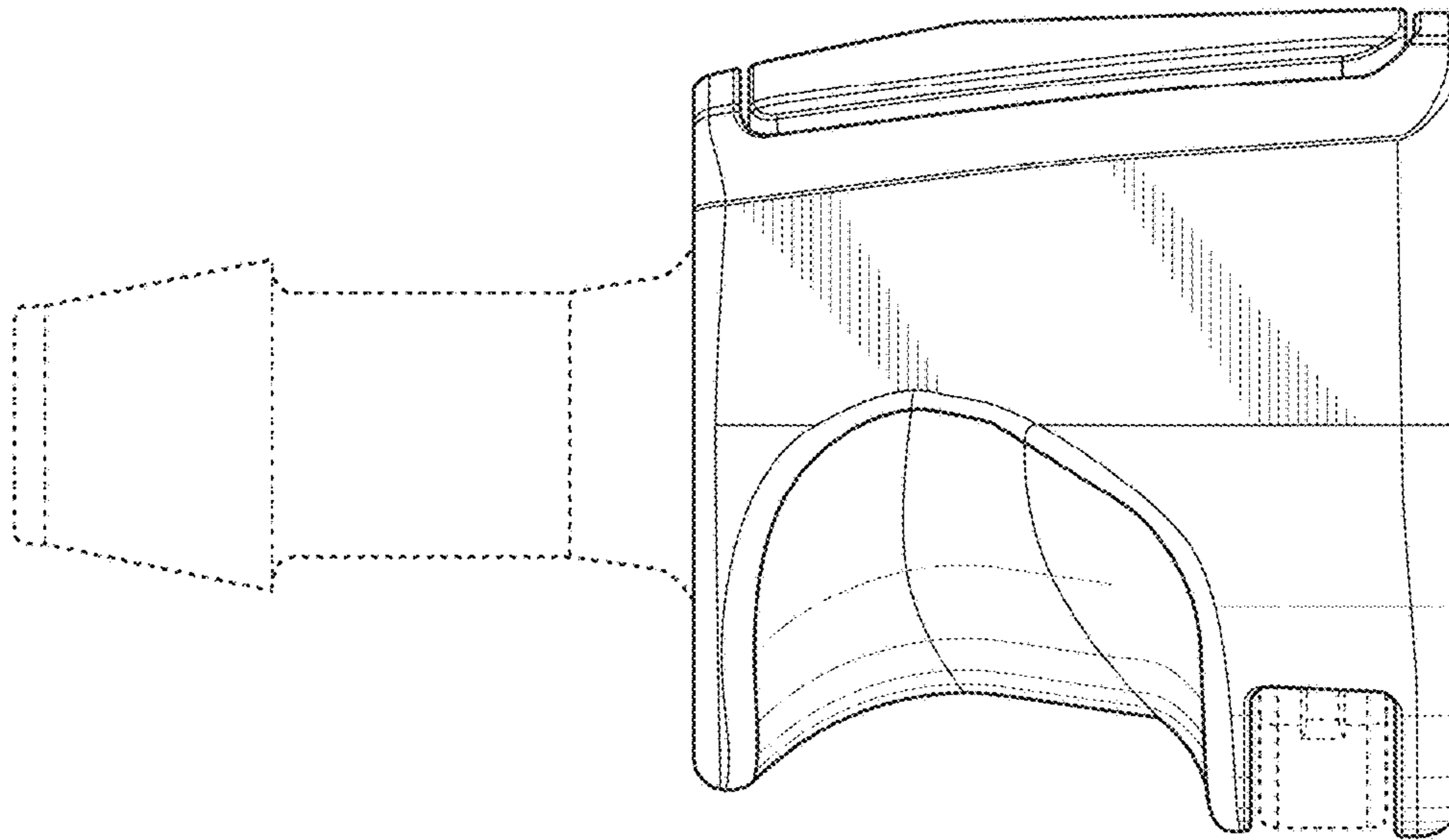


FIG. 5

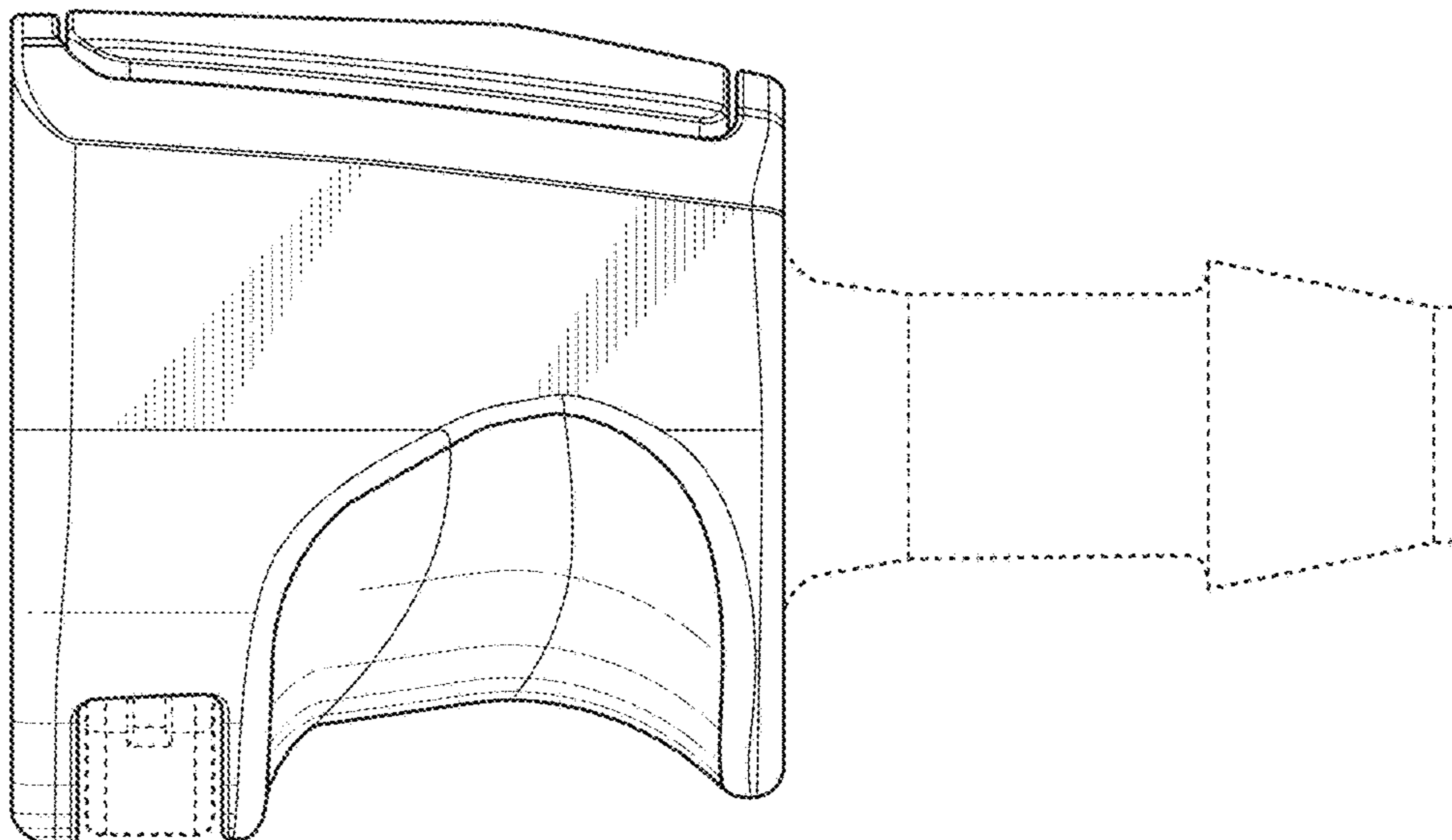


FIG. 6

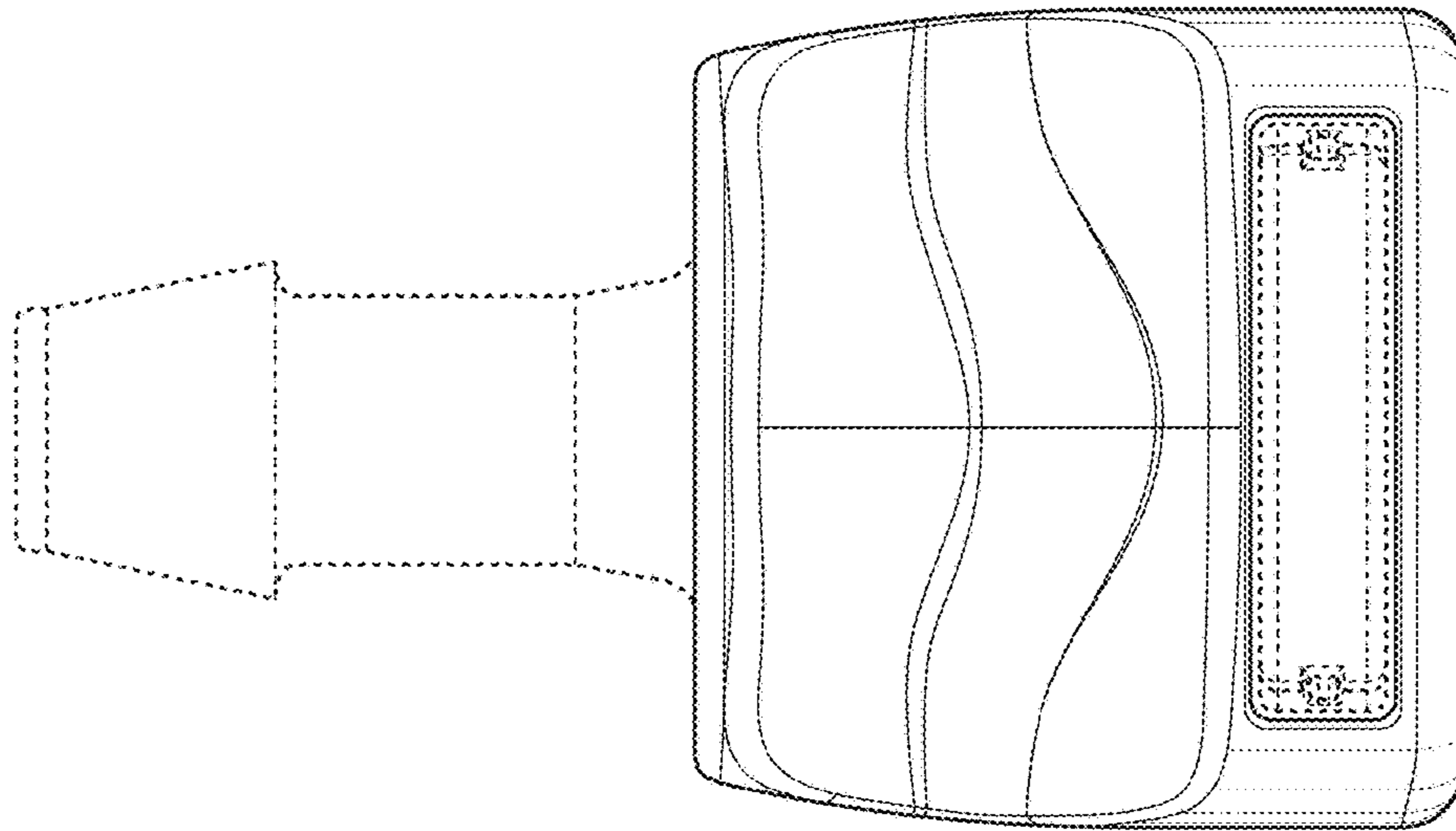


FIG. 8

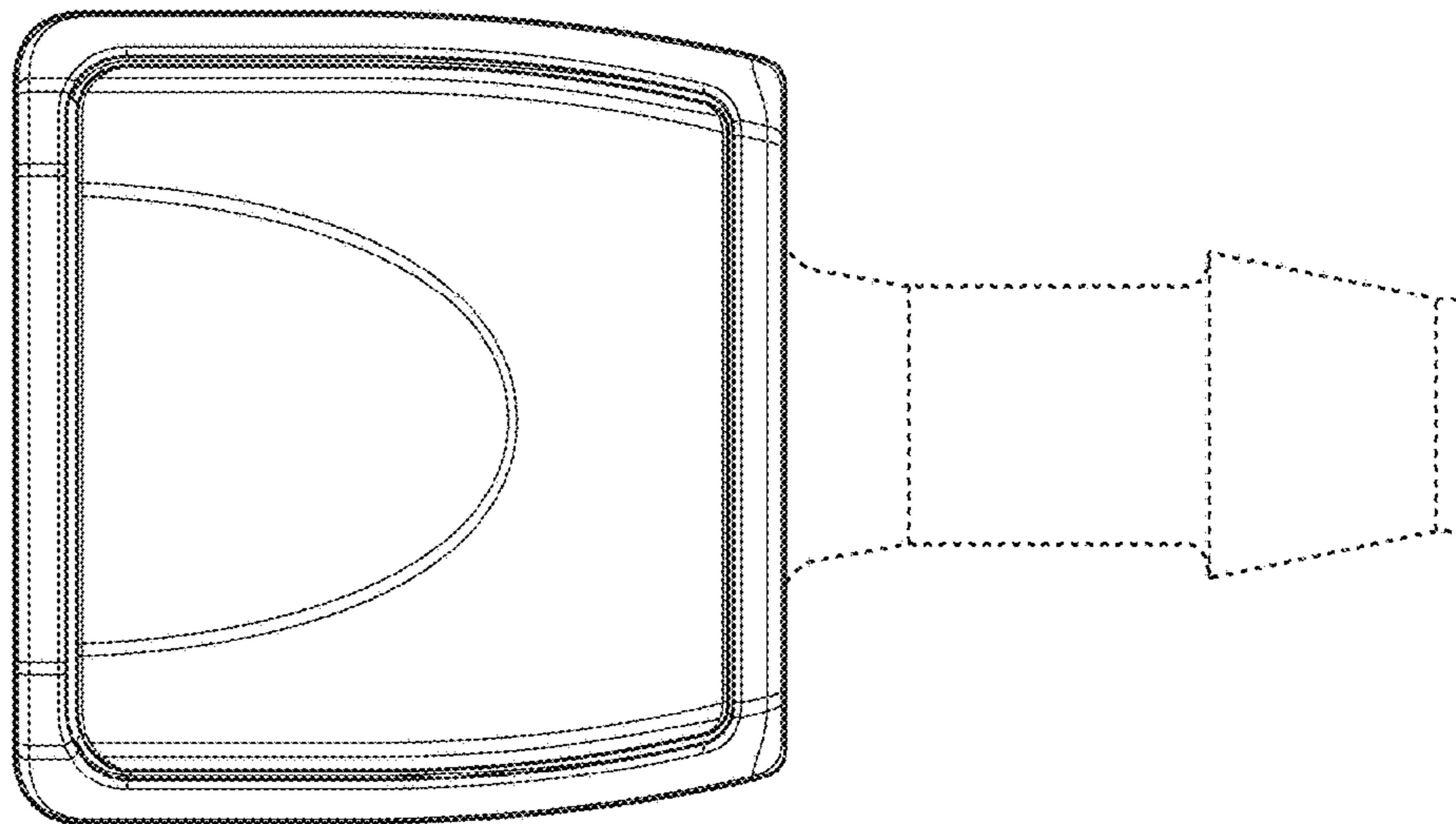


FIG. 7