



US00D834185S

(12) **United States Design Patent** (10) **Patent No.:** **US D834,185 S**  
**Molden et al.** (45) **Date of Patent:** **\*\* Nov. 20, 2018**

(54) **AIRWAY-TUBE HOLDER**

- (71) Applicant: **Laerdal Medical AS**, Stavanger (NO)
- (72) Inventors: **Mathias Molden**, Stavanger (NO);  
**Robert Provo Kluit**, Stavanger (NO)
- (73) Assignee: **Laerdal Medical AS**, Stavanger (NO)
- (\*\*) Term: **15 Years**
- (21) Appl. No.: **29/556,471**
- (22) Filed: **Mar. 1, 2016**

**Related U.S. Application Data**

- (63) Continuation-in-part of application No. 14/718,768, filed on May 21, 2015.
- (51) **LOC (11) Cl.** ..... **24-02**
- (52) **U.S. Cl.**  
USPC ..... **D24/128**
- (58) **Field of Classification Search**  
USPC ..... D24/127-131, 110-110.6, 112-114, 133,  
D24/186; 606/181, 185; 604/264,  
604/523-528, 272, 187, 158,  
604/164.01-164.11, 181, 184, 227;  
600/101, 139, 143; 128/200.24, 207.14,  
128/207.15

(Continued)

(56) **References Cited**

**U.S. PATENT DOCUMENTS**

- 2,671,482 A 3/1954 Gordon
  - 3,602,227 A 8/1971 Andrew
- (Continued)

**FOREIGN PATENT DOCUMENTS**

- EP 1400709 A1 3/2004
- EP 3297714 A1 3/2018
- WO 2014/062012 A1 4/2014

**OTHER PUBLICATIONS**

Authorized Officer: Corine Le Bolloch, "International Search Report" and "Written Opinion" dated Aug. 17, 2016 issued in counterpart PCT Application No. PCT/IB2016/052983, Publisher: PCT, Published in: EP.

(Continued)

*Primary Examiner* — David G Muller

(74) *Attorney, Agent, or Firm* — Kaplan Breyer Schwarz, LLP

(57) **CLAIM**

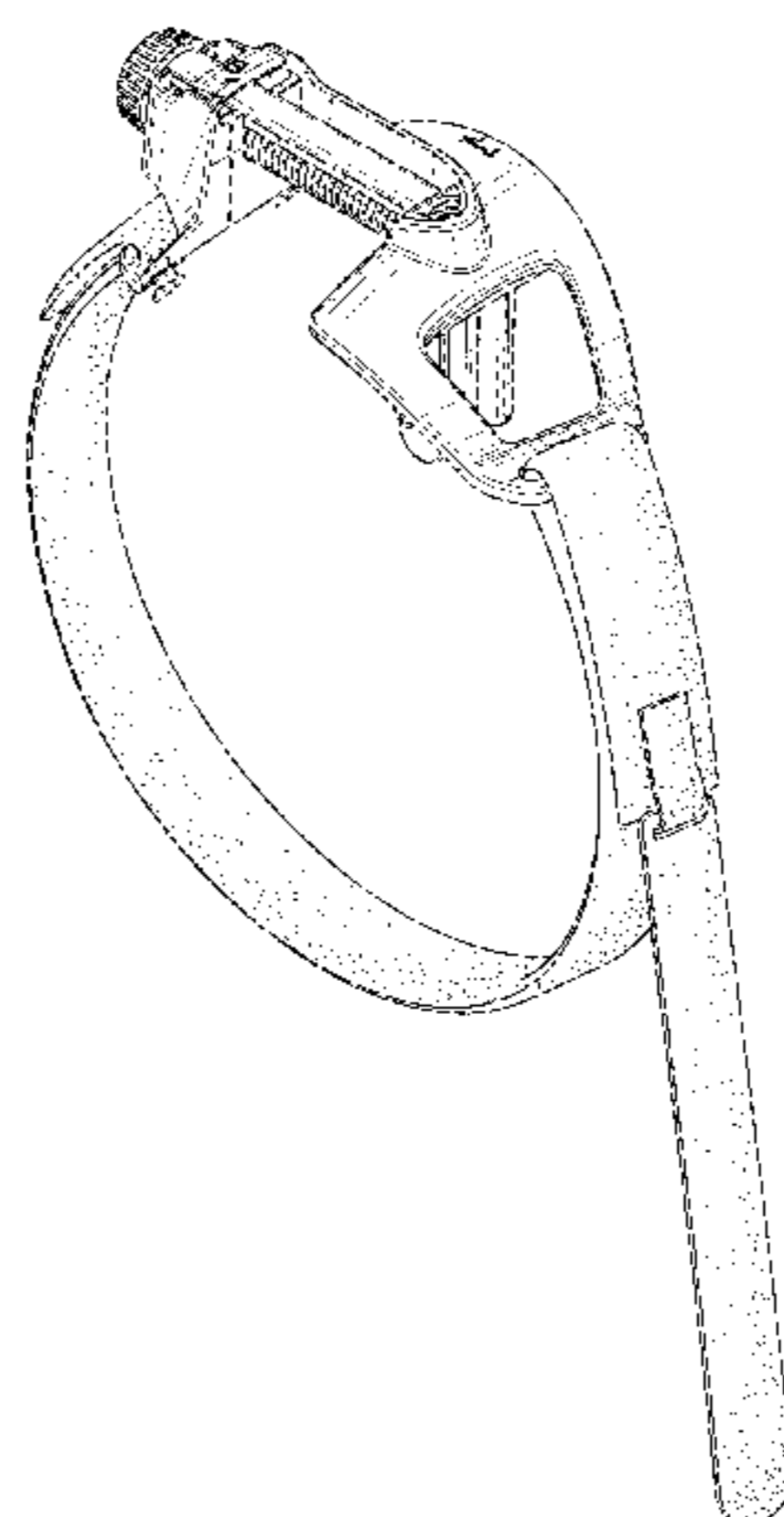
The ornamental design for an airway-tube holder, as shown and described.

**DESCRIPTION**

FIG. 1 is a perspective view of a first embodiment of an airway-tube holder showing our new design;  
 FIG. 2 is a right side view thereof;  
 FIG. 3 is a left side view thereof;  
 FIG. 4 is a top view thereof;  
 FIG. 5 is a bottom view thereof;  
 FIG. 6 is a front view thereof;  
 FIG. 7 is a back view thereof;  
 FIG. 8 is a perspective view thereof showing an outward-facing surface of the strap, wherein the strap is partially decoupled from the airway-tube holder;  
 FIG. 9 is a perspective view thereof showing an inward-facing surface of the strap, wherein the strap is partially decoupled from the airway-tube holder;  
 FIG. 10 is a perspective view of a variant of the first embodiment of the airway-tube holder;  
 FIG. 11 is a right side view of the variant thereof;  
 FIG. 12 is a left side view of the variant thereof;  
 FIG. 13 is a top view of the variant thereof;  
 FIG. 14 is a bottom view of the variant thereof;  
 FIG. 15 is a front view of the variant thereof; and,  
 FIG. 16 is a back view of the variant thereof.

The broken line showing of parts of the drawings is included for the purpose of illustrating use and environment and forms no part of the claimed design. The symbolic break in the length of the strap in FIGS. 8 and 9 shows truncation of the strap.

**1 Claim, 16 Drawing Sheets**



(58) **Field of Classification Search**  
 CPC ..... A61M 25/00; A61M 39/00; A61M 27/00;  
                   A61M 25/0043; A61M 25/0067; A61M  
                                   25/0097; A61F 2/958  
 See application file for complete search history.

(56) **References Cited**

U.S. PATENT DOCUMENTS

4,934,889	A	1/1990	Kurosaki	
D323,390	S *	1/1992	Paine .....	D24/129
5,402,776	A	4/1995	Islava	
5,513,633	A	5/1996	Islava	
D373,823	S *	9/1996	Baldwin .....	D24/128
D395,505	S *	6/1998	Noonan .....	D24/128
5,928,198	A *	7/1999	Lester .....	A61M 16/0465 128/200.26
5,954,707	A *	9/1999	Kanesaka .....	A61M 25/00 604/264
5,957,883	A *	9/1999	Lin .....	A61M 1/0058 604/121
6,010,484	A	1/2000	McCormick et al.	
6,067,985	A	5/2000	Islava	
6,612,309	B1 *	9/2003	Ancona .....	A61M 16/0465 128/207.14

6,634,359	B1	10/2003	Rudy et al.	
D528,657	S *	9/2006	Adams .....	D24/128
D528,659	S *	9/2006	Cherfas .....	D24/105
7,437,804	B1	10/2008	Geiger et al.	
7,517,340	B2 *	4/2009	Barrientos .....	A61F 5/44 128/876
8,360,063	B2	1/2013	Liland	
8,636,008	B2	1/2014	Flory et al.	
D750,773	S *	3/2016	Eaton .....	D24/128
D753,516	S *	4/2016	Le Gall .....	D10/47
D762,300	S *	7/2016	Breitweiser .....	D24/128
9,707,364	B2	7/2017	Islava	
2009/0028668	A1	1/2009	Luk	
2009/0229616	A1	9/2009	Liland	

OTHER PUBLICATIONS

Notice of Allowance and Fees Due (PTOL-85) dated Apr. 26, 2018 for U.S. Appl. No. 14/718,768.  
 Non-Final Rejection dated Sep. 28, 2017 for U.S. Appl. No. 14/718,768.  
 "Final Office Action" in U.S. Appl. No. 14/718,768 dated Feb. 7, 2018.

\* cited by examiner

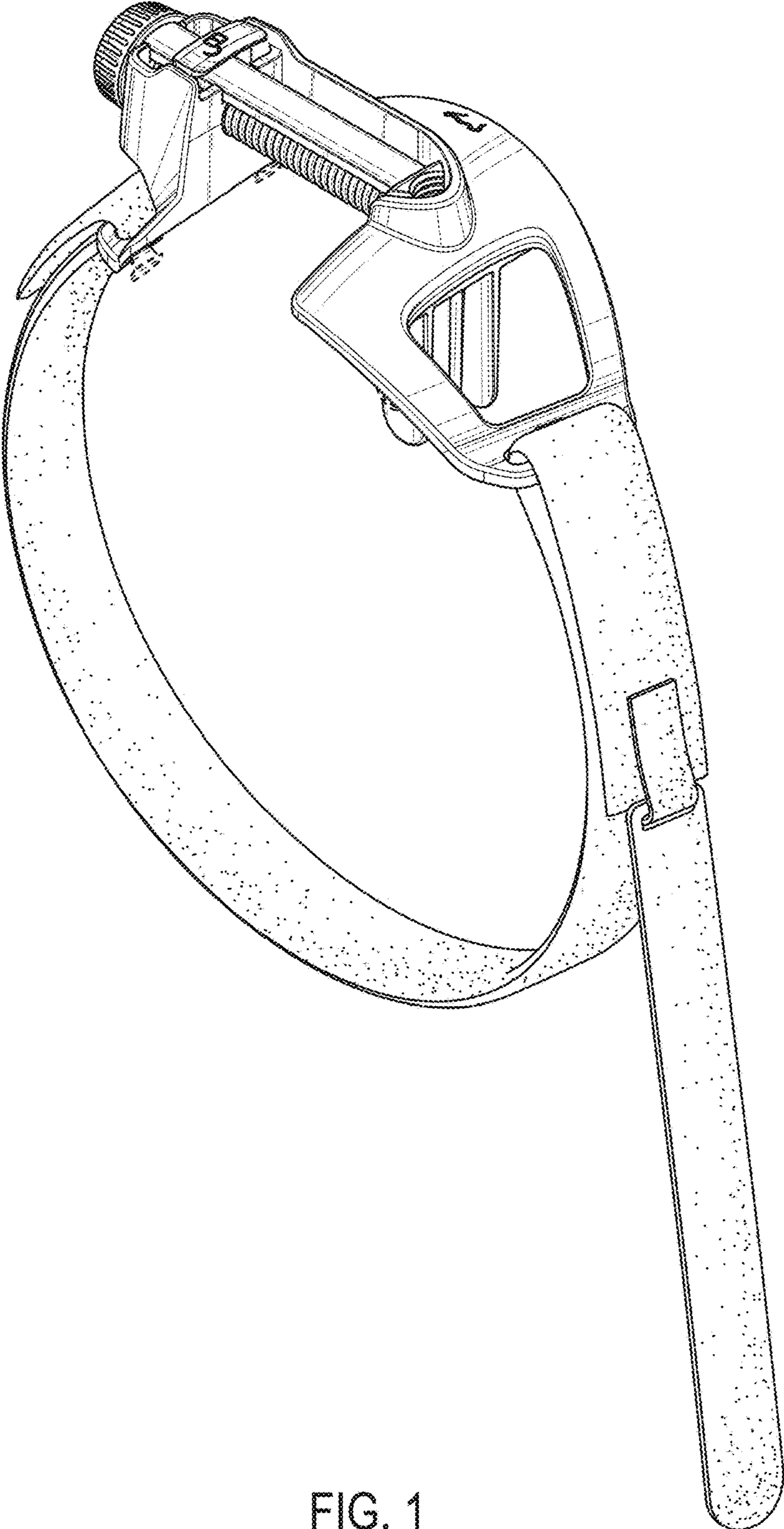


FIG. 1

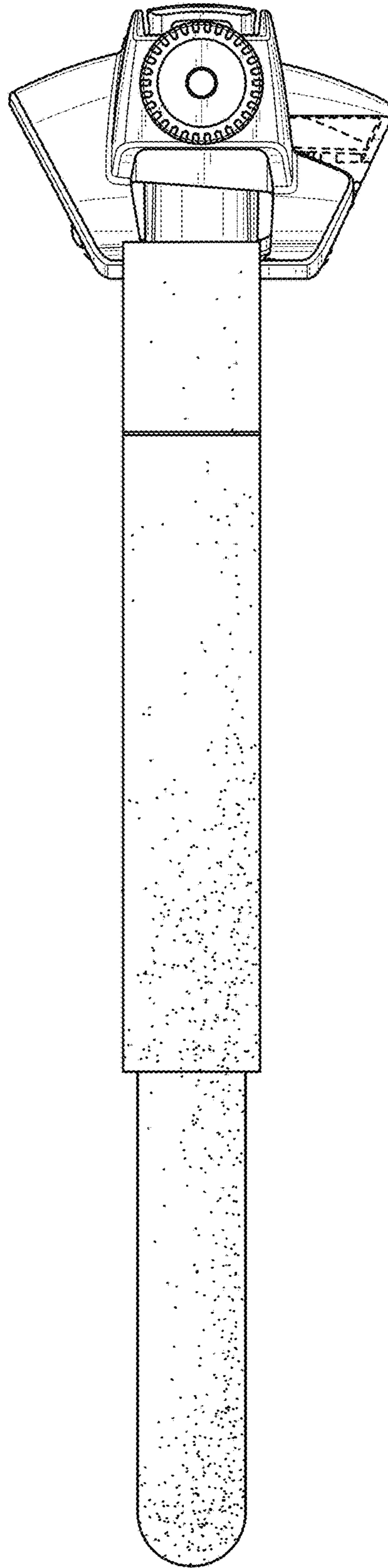


FIG. 2

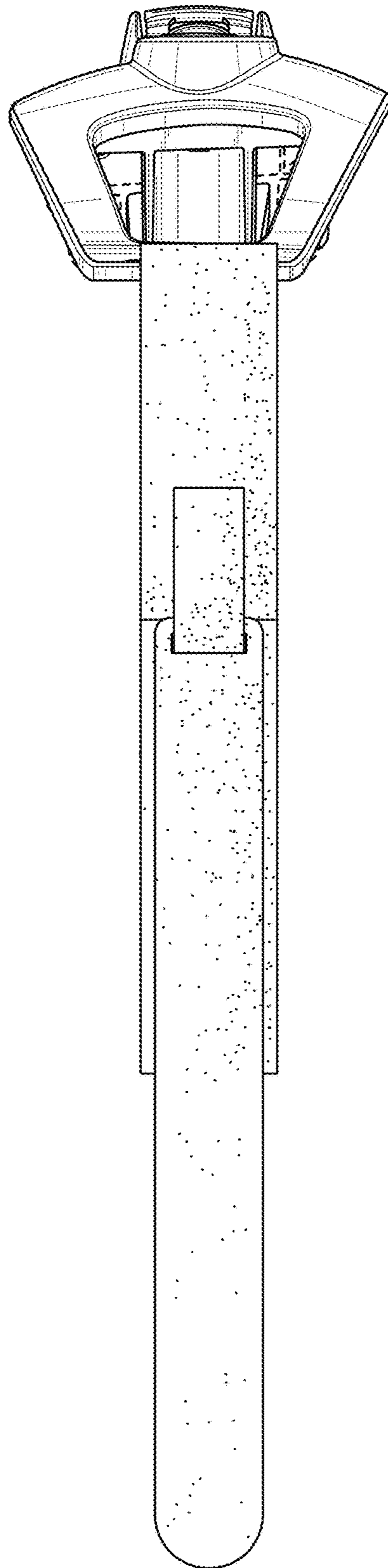


FIG. 3

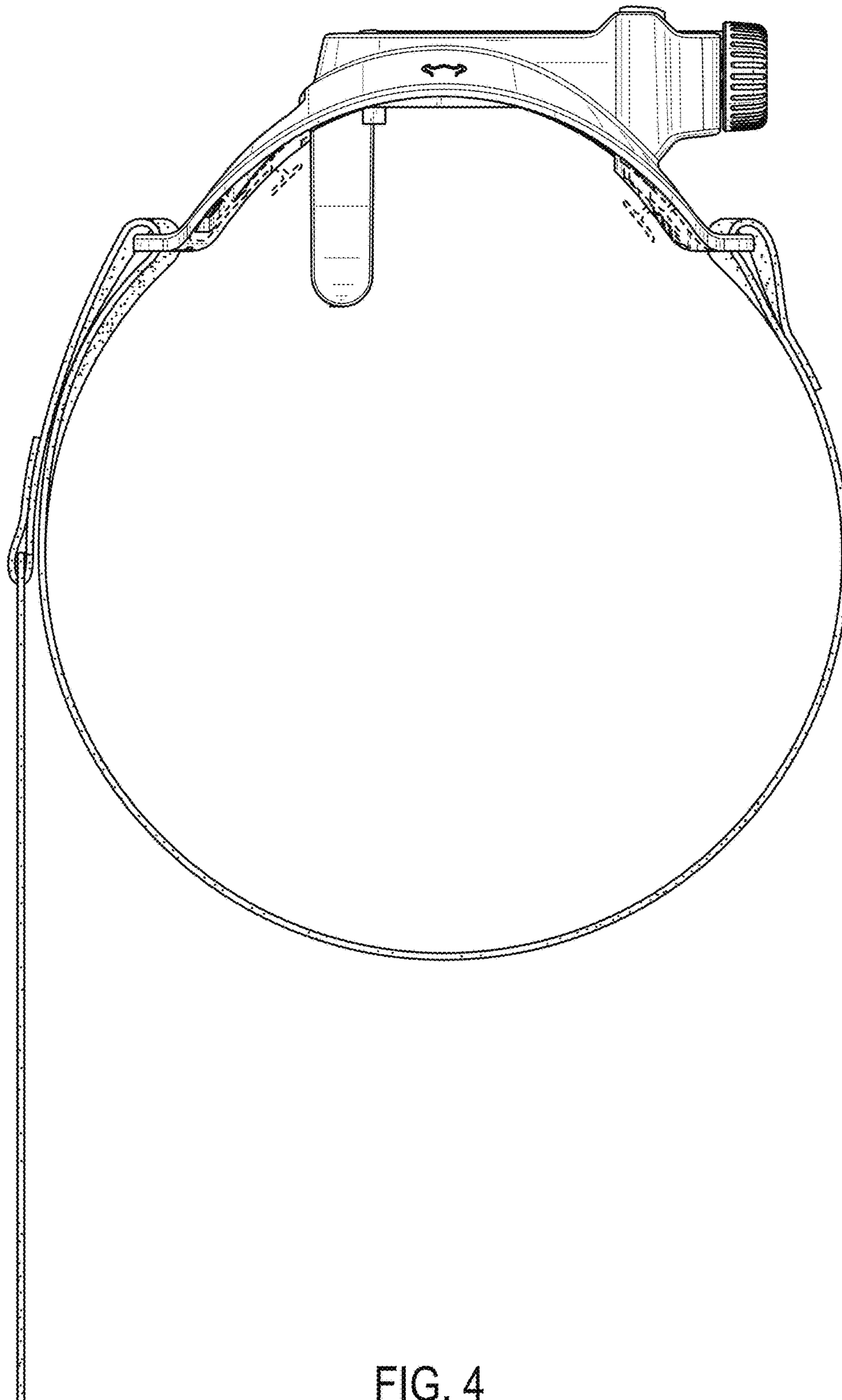


FIG. 4

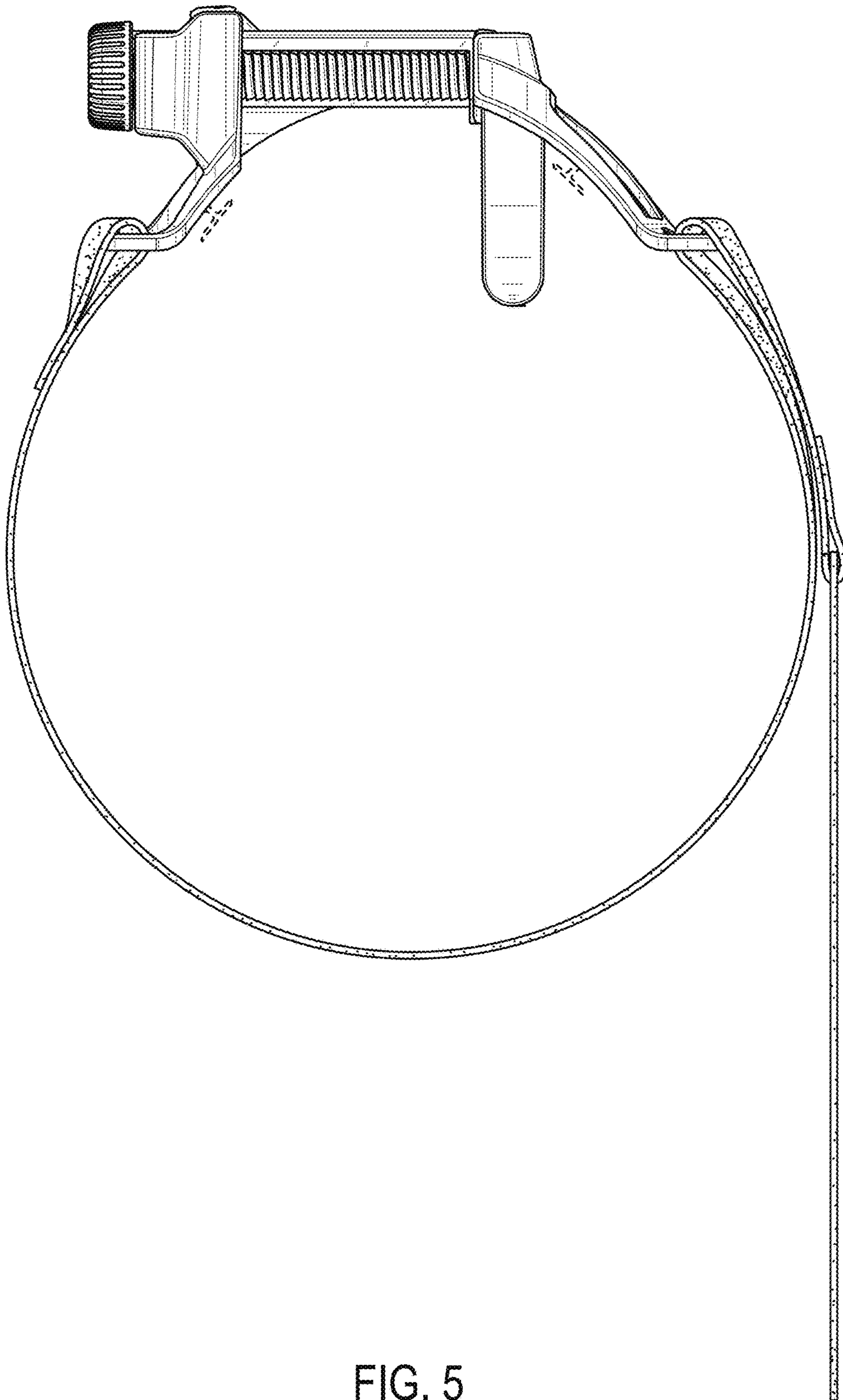


FIG. 5

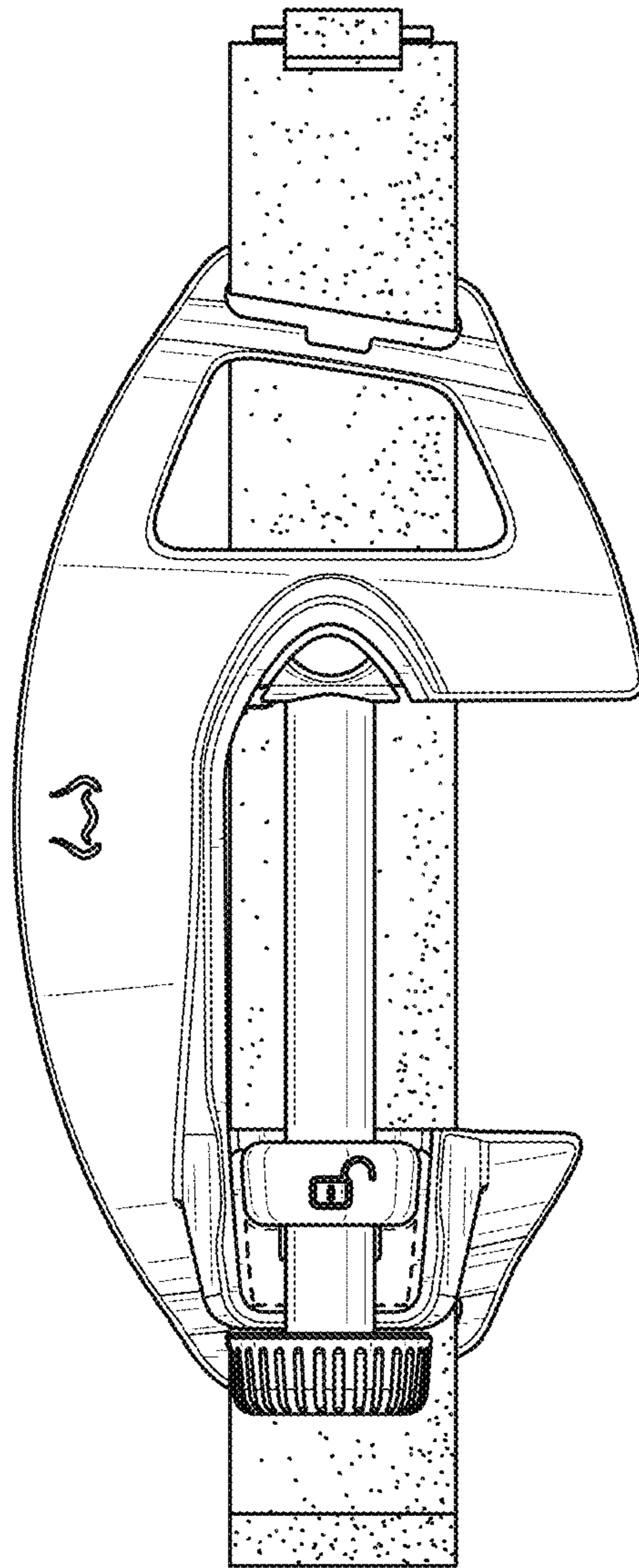


FIG. 6



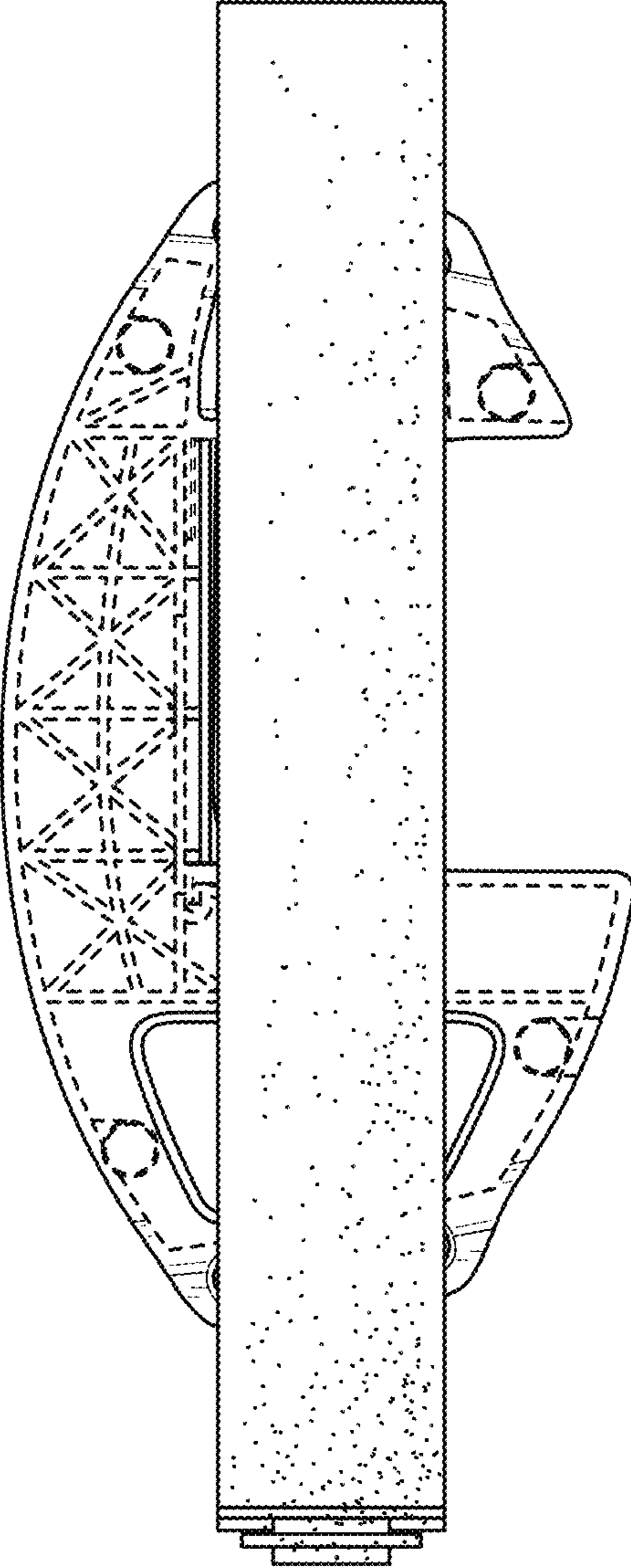


FIG. 7

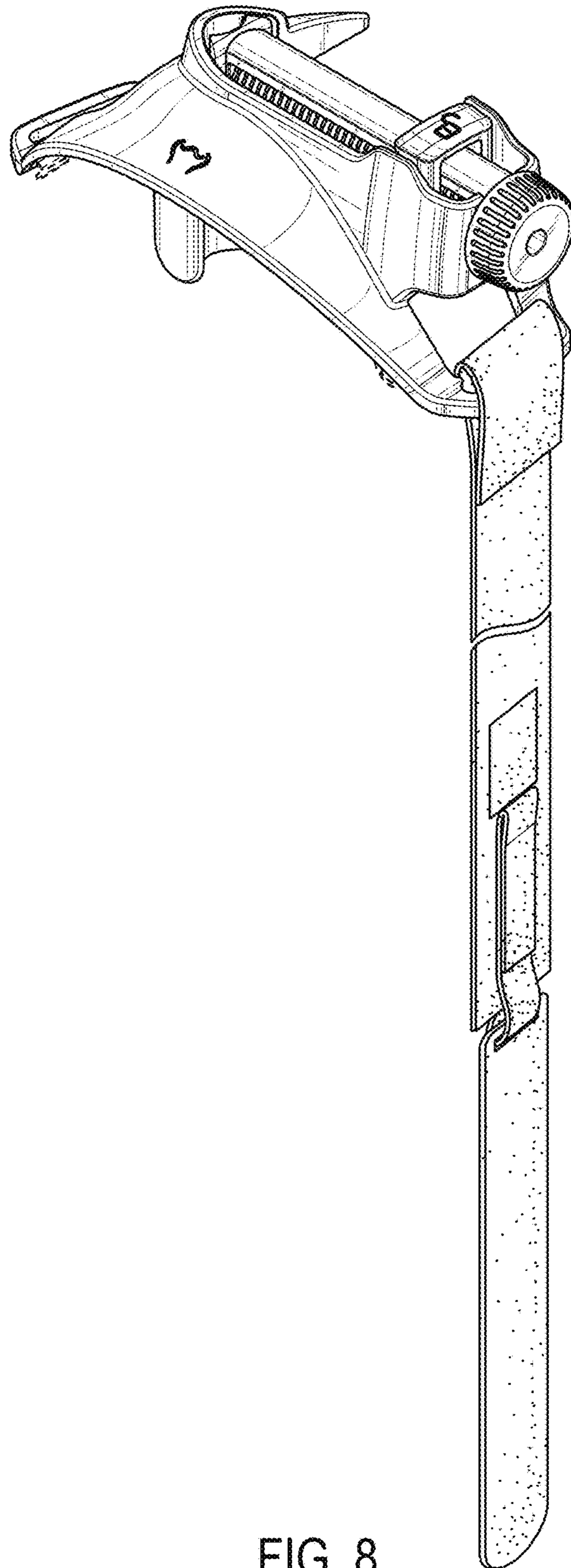


FIG. 8

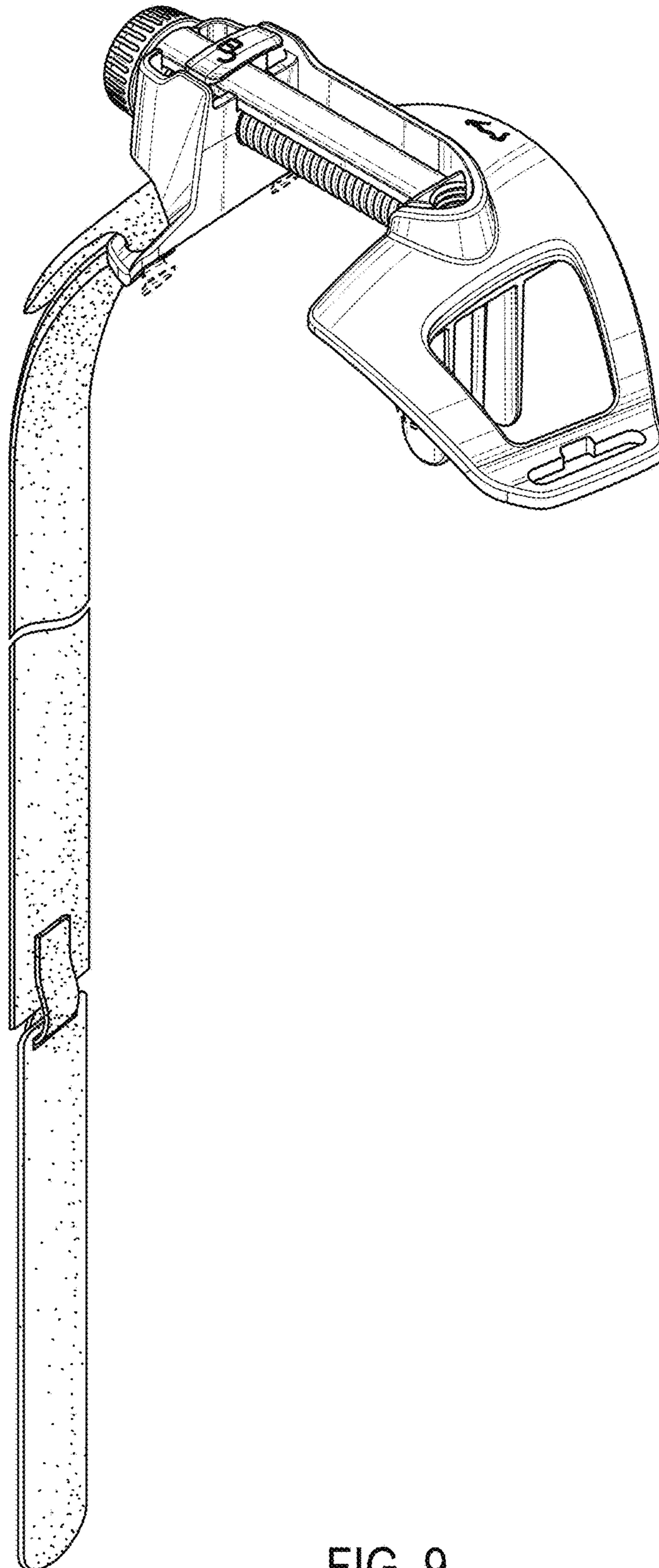


FIG. 9

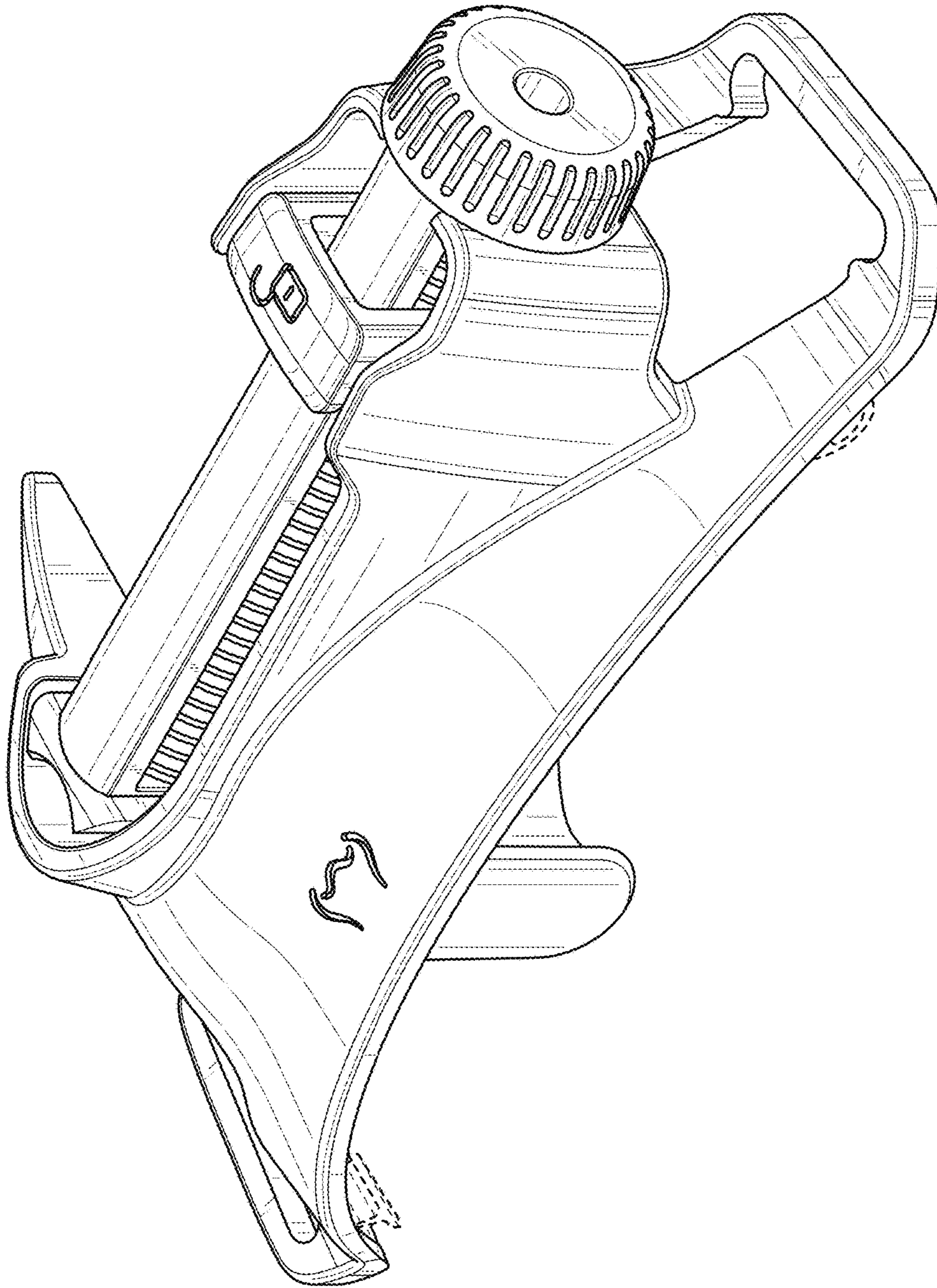


FIG. 10

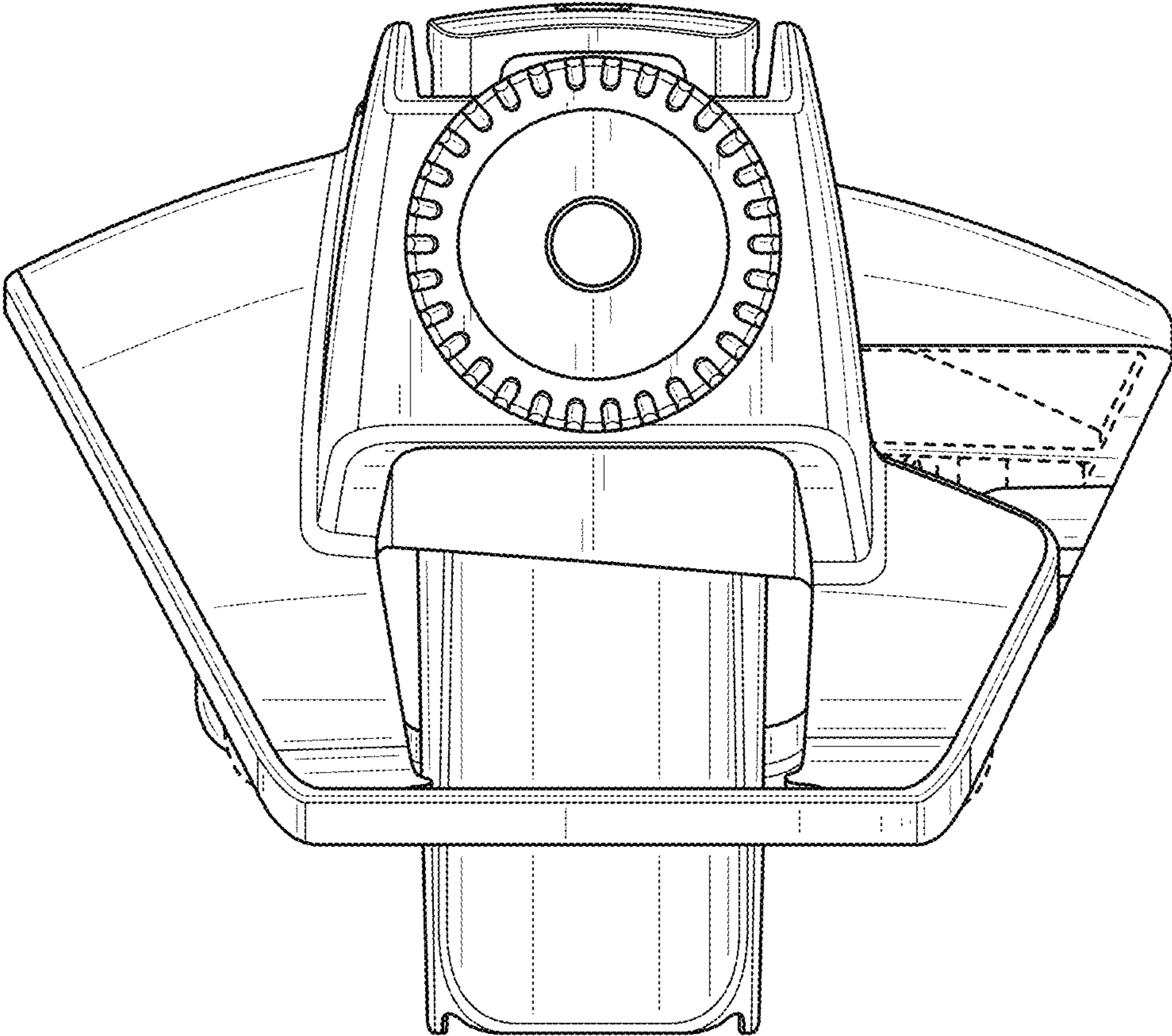


FIG. 11

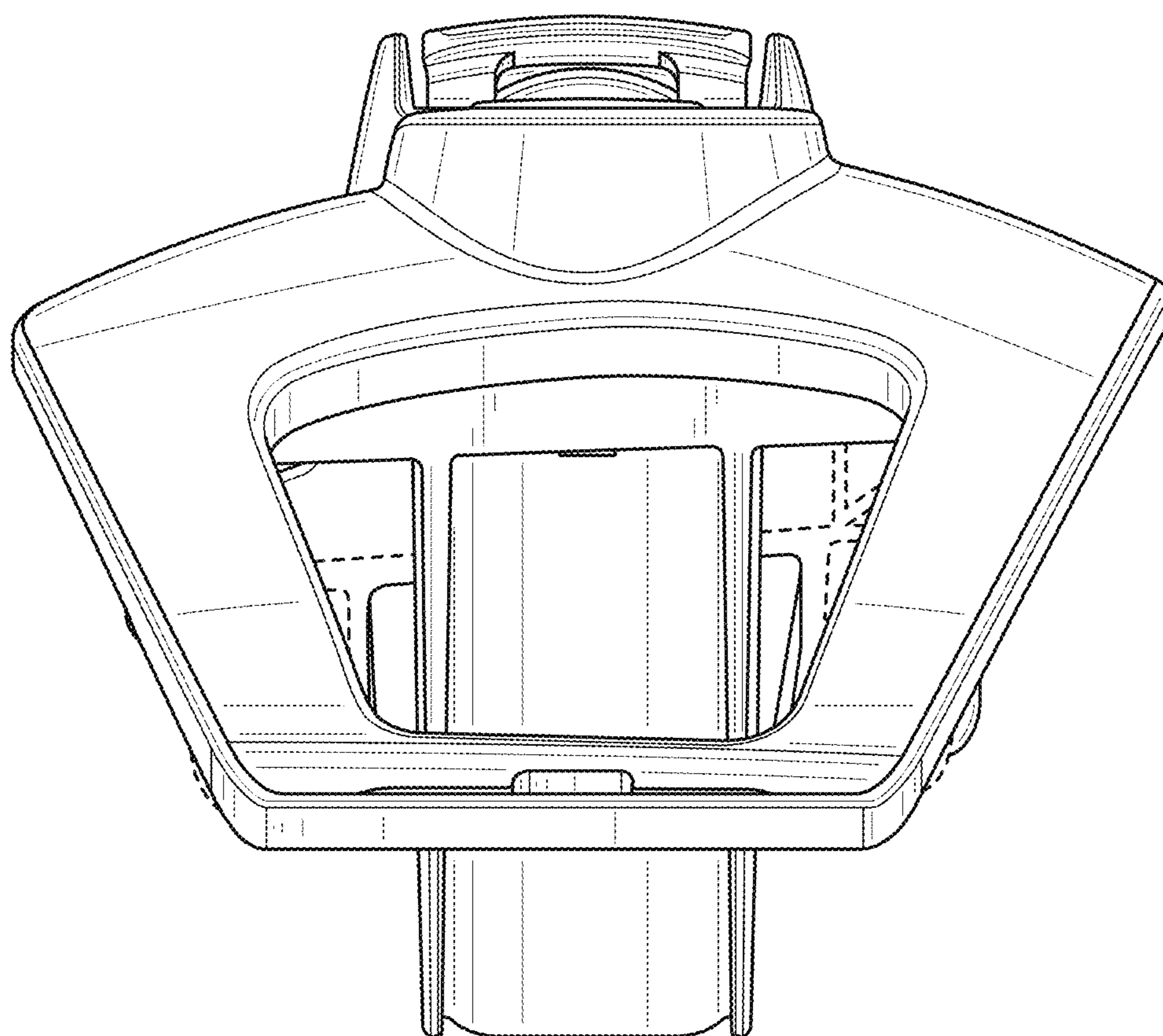


FIG. 12

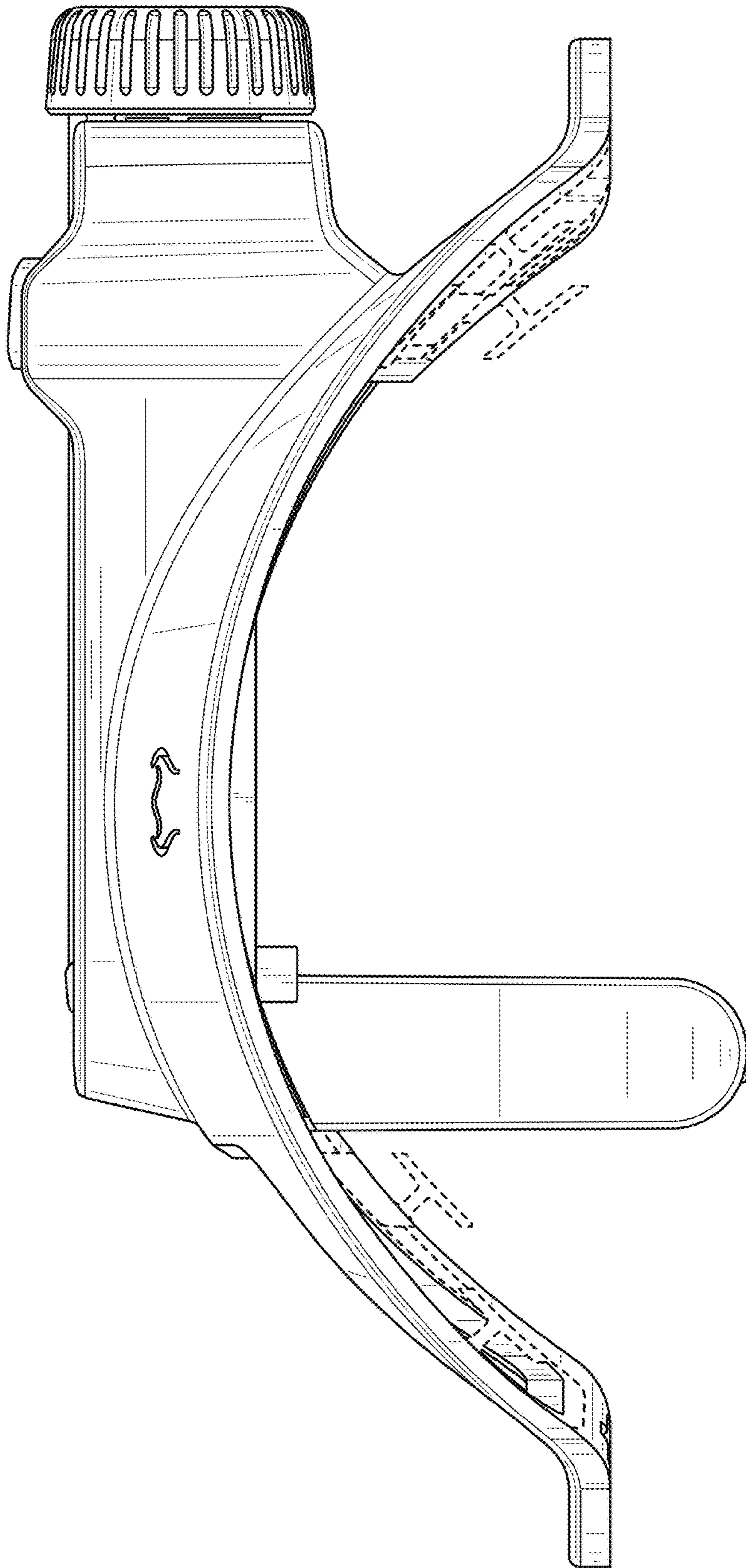


FIG. 13

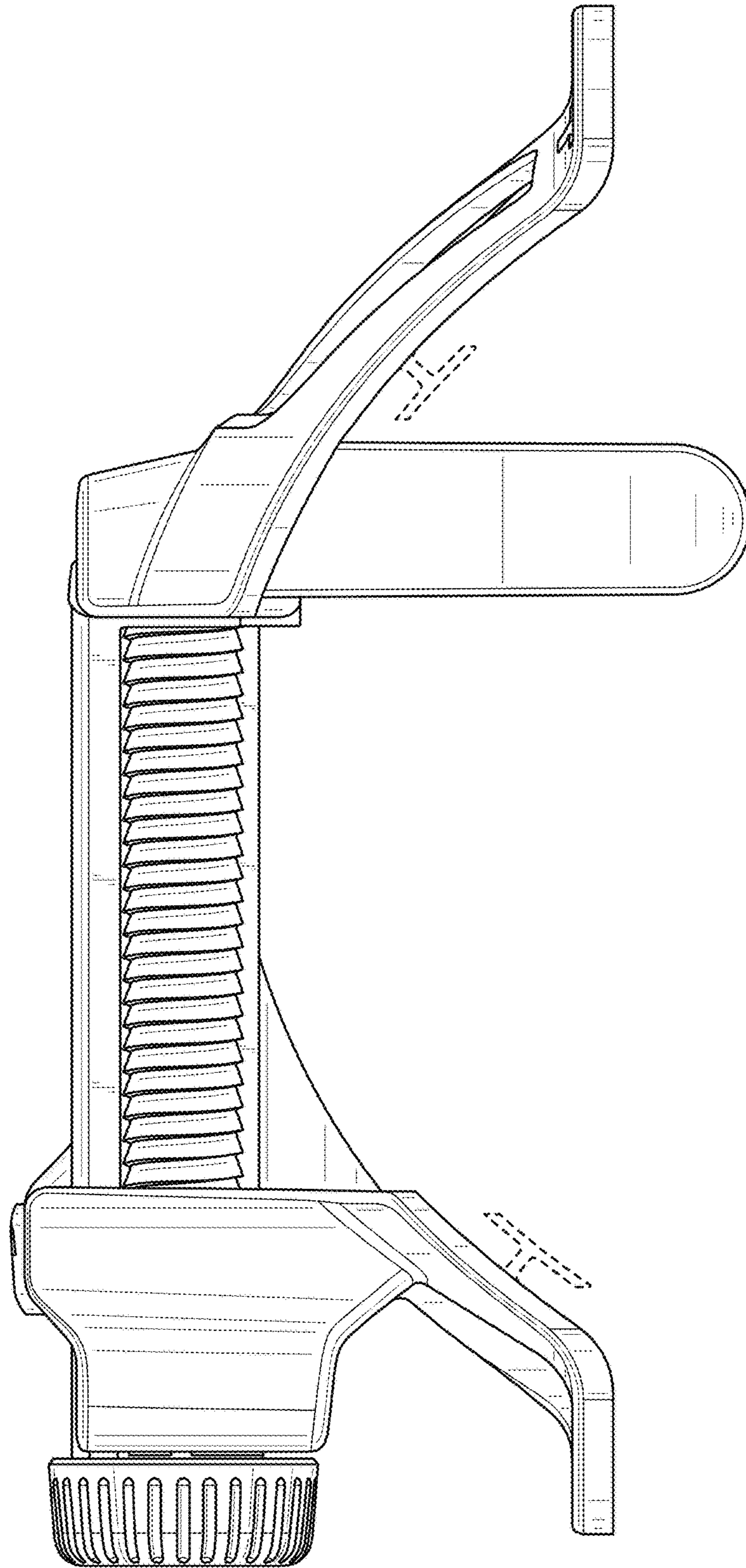


FIG. 14



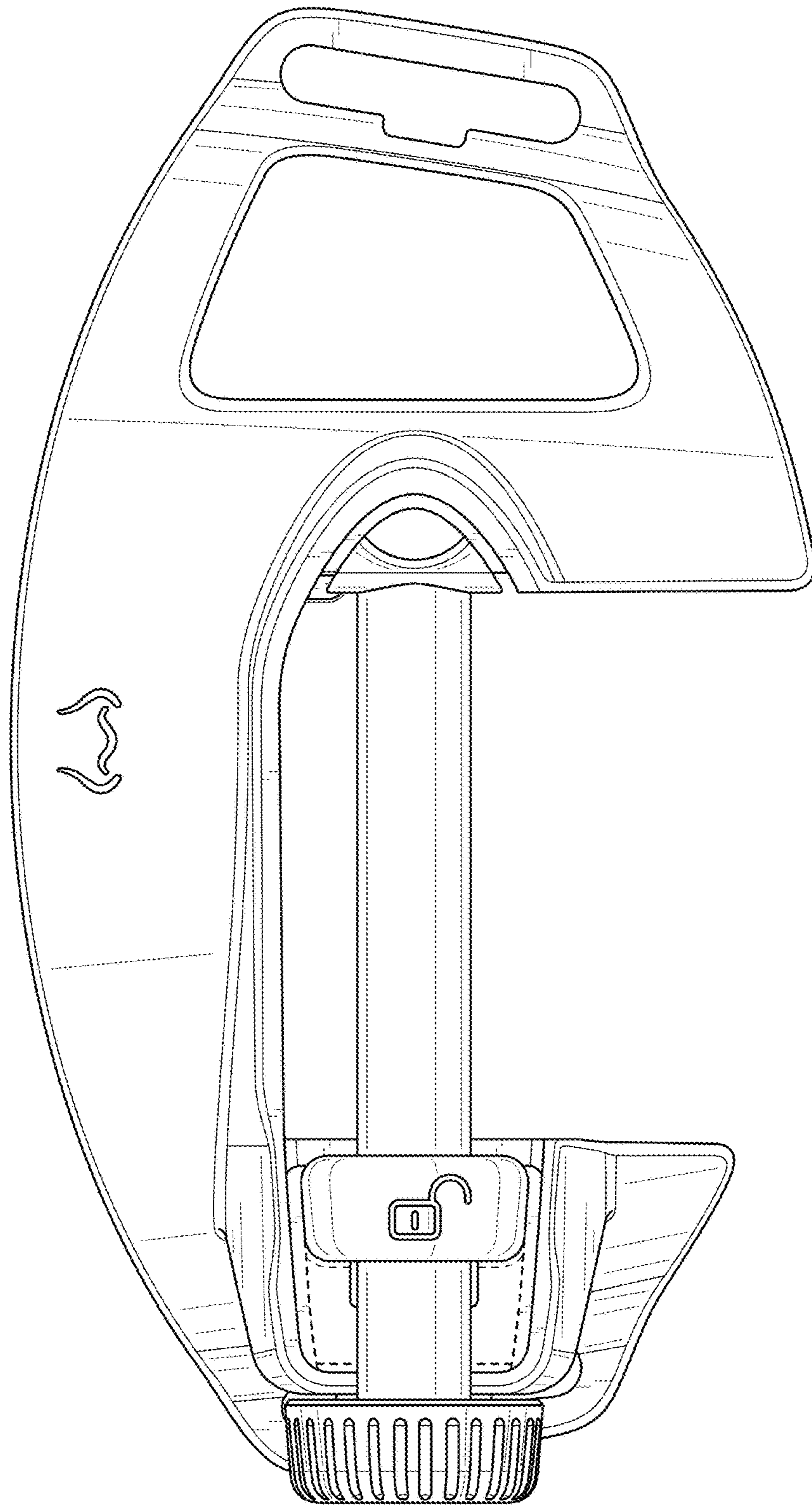


FIG. 15

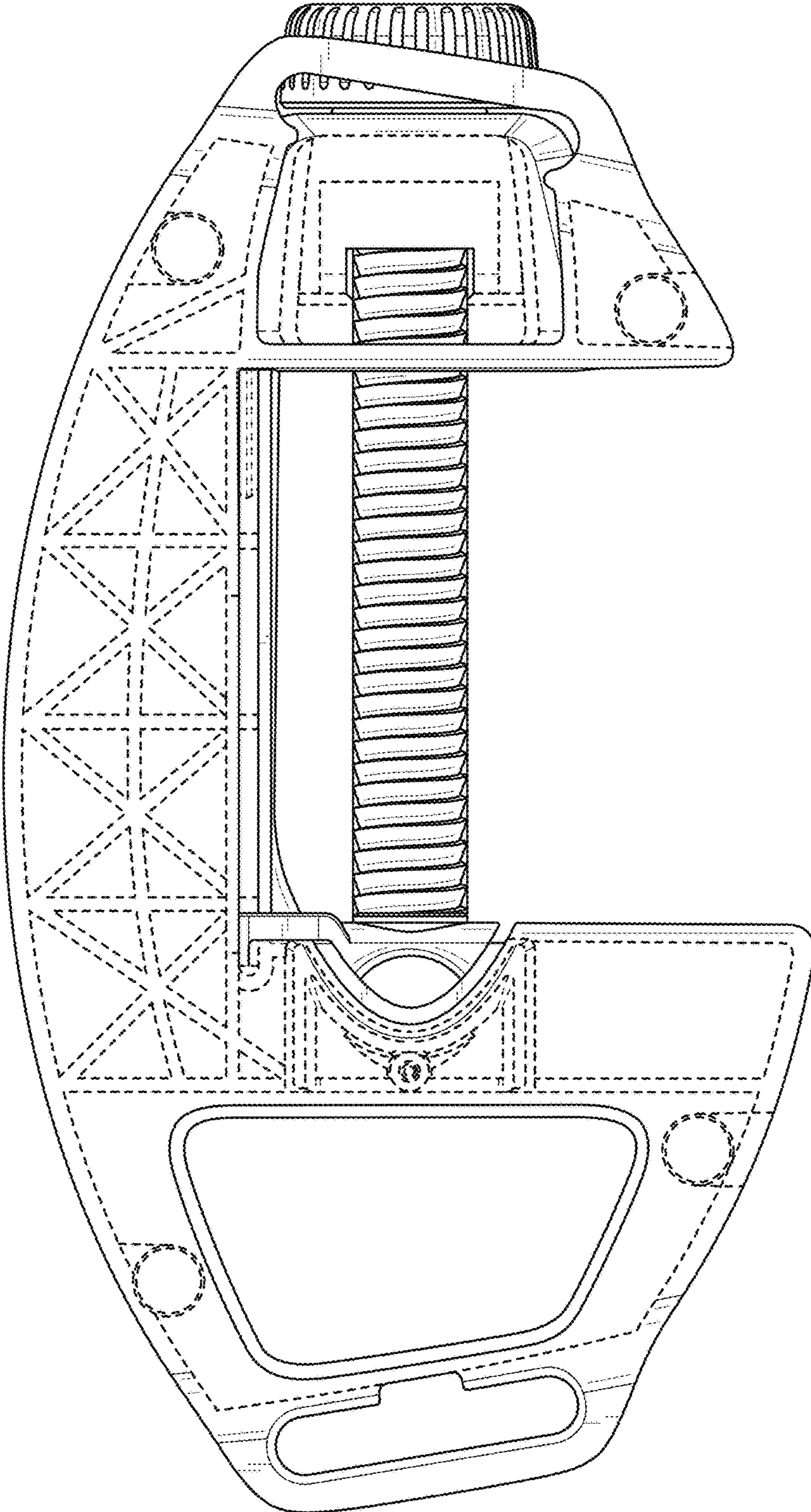


FIG. 16