

US00D834182S

(12) **United States Design Patent**
Reynolds et al.

(10) **Patent No.:** **US D834,182 S**
(45) **Date of Patent:** **** Nov. 20, 2018**

- (54) **SYRINGE**
- (71) Applicants: **Susan Reynolds**, Spring Valley, WI (US); **John Harmon**, Spring Valley, WI (US)
- (72) Inventors: **Susan Reynolds**, Spring Valley, WI (US); **John Harmon**, Spring Valley, WI (US)
- (73) Assignee: **Genesis Cosmetics LLC**, Spring Valley, WI (US)
- (**) Term: **15 Years**
- (21) Appl. No.: **29/608,161**
- (22) Filed: **Jun. 20, 2017**
- (51) **LOC (11) Cl.** **24-02**
- (52) **U.S. Cl.**
USPC **D24/114**
- (58) **Field of Classification Search**
USPC D24/112–114, 133, 186, 104, 127, 130; 606/181, 185; 604/264, 272, 115, 232, 604/187, 158, 164.08, 192, 263, 163, 181, 604/184, 198, 227
CPC A61M 5/31596; A61M 2005/1787; A61M 2005/31508; A61M 5/31511; A61M 2005/3121; A61M 2005/31598; A61M 2005/3123
See application file for complete search history.

- (56) **References Cited**
U.S. PATENT DOCUMENTS
4,813,928 A * 3/1989 Abe A61B 17/00491 604/264
D338,957 S * 8/1993 de Faire D24/112
5,282,792 A * 2/1994 Imbert A61M 5/3135 206/571
5,334,151 A * 8/1994 Santilli A61M 5/3213 206/365

- 5,338,309 A * 8/1994 Imbert A61M 5/3135 604/110
- 5,395,345 A * 3/1995 Gross A61B 10/0233 604/187
- 5,405,326 A * 4/1995 Haber A61M 5/345 604/110
- 5,514,107 A * 5/1996 Haber A61M 5/3271 604/192
- D372,310 S * 7/1996 Hartnett D24/114
- 5,554,127 A * 9/1996 Crouther A61M 5/3213 206/366
- 5,876,382 A * 3/1999 Erickson A61M 5/322 604/110
- 6,432,087 B1 * 8/2002 Hoeck A61M 5/3234 604/110
- 6,432,088 B1 * 8/2002 Huang A61M 5/3202 128/919
- 6,689,106 B2 * 2/2004 Bush, Jr. A61M 5/3234 604/110
- D543,278 S * 5/2007 Numata D24/114
- D543,279 S * 5/2007 Numata D24/114

(Continued)

Primary Examiner — David Muller
Assistant Examiner — Nathan Johnston
(74) *Attorney, Agent, or Firm* — Skinner & Associates; Joel Skinner

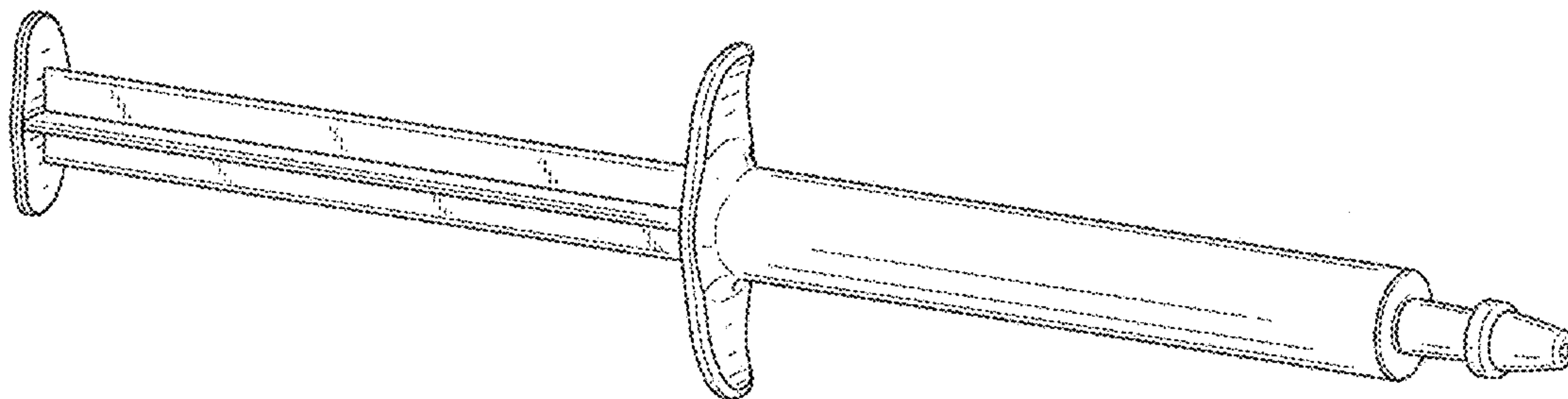
(57) **CLAIM**

The ornamental design for a syringe, as shown and described.

DESCRIPTION

FIG. 1 is a perspective view of a syringe showing our new design.
FIG. 2 is a front elevation view thereof, the rear elevation view being a mirror image thereof.
FIG. 3 is a bottom plan view thereof.
FIG. 4 is a top plan view thereof; and,
FIG. 5 is a side elevation view thereof, the opposite side elevation view being a mirror image thereof.

1 Claim, 2 Drawing Sheets



(56)

References Cited

U.S. PATENT DOCUMENTS

D545,429 S *	6/2007	Hays	D24/114	2005/0228345 A1*	10/2005	Yang	A61M 5/3271
8,034,034 B2 *	10/2011	Hess	A61B 17/8833					604/110
				604/187	2007/0005014 A1*	1/2007	Lin	A61M 5/322
D674,086 S *	1/2013	Khalaj	D24/114					604/110
8,876,764 B2 *	11/2014	Tsals	A61B 5/150748	2007/0055203 A1*	3/2007	Miller	A61M 5/3273
				604/115					604/158
D739,524 S *	9/2015	Zemel	D24/114	2008/0114307 A1*	5/2008	Smith	A61M 5/2455
D792,969 S *	7/2017	Taylor	D24/130					604/240
D804,651 S *	12/2017	Loonan	D24/114	2008/0262435 A1*	10/2008	Erickson	A61M 5/31531
2002/0151851 A1*	10/2002	Fu	A61M 5/3202					604/192
				604/192	2012/0226239 A1*	9/2012	Green	A61M 5/1782
2003/0055383 A1*	3/2003	Bush, Jr.	A61M 5/3234					604/192
				604/181	2013/0204165 A1*	8/2013	Perry	A61B 10/0045
2003/0065290 A1*	4/2003	Shyu	A61M 5/322					600/587
				604/187	2013/0261564 A1*	10/2013	Wong	A61M 5/3257
2003/0199816 A1*	10/2003	Ramming	A61M 5/284					604/263
				604/89	2015/0057608 A1*	2/2015	Hitscherich, Jr.	...	A61M 5/3137
2004/0006313 A1*	1/2004	Chian	A61M 5/322					604/91
				604/198	2016/0259913 A1*	9/2016	Yu	A61M 5/31
					2017/0312455 A1*	11/2017	Mirov	A61M 5/31568

* cited by examiner

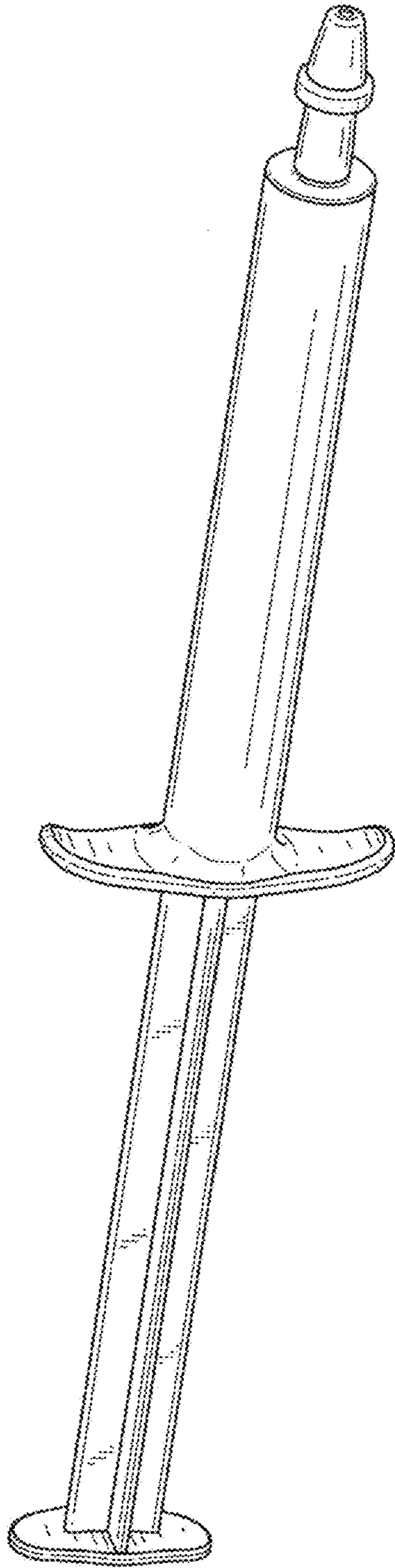


FIG. 1

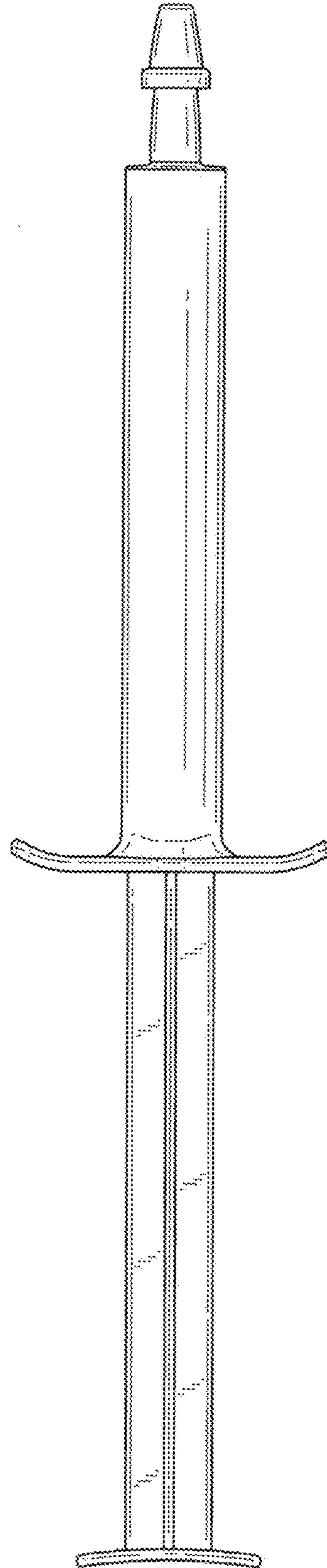


FIG. 2

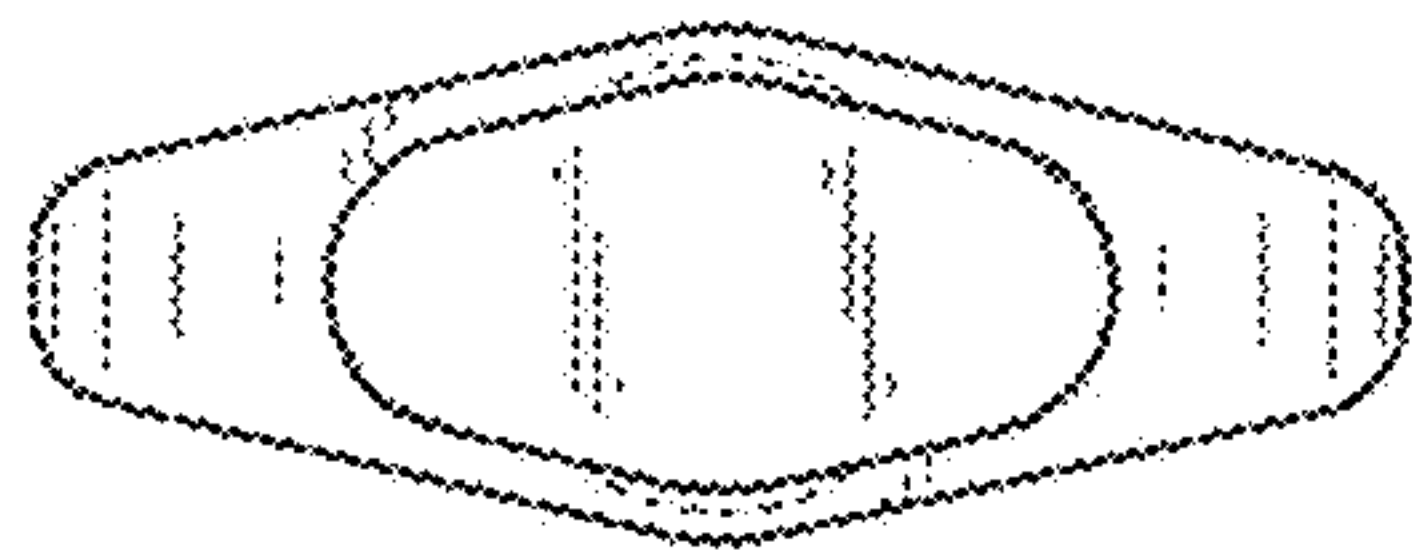


FIG. 3

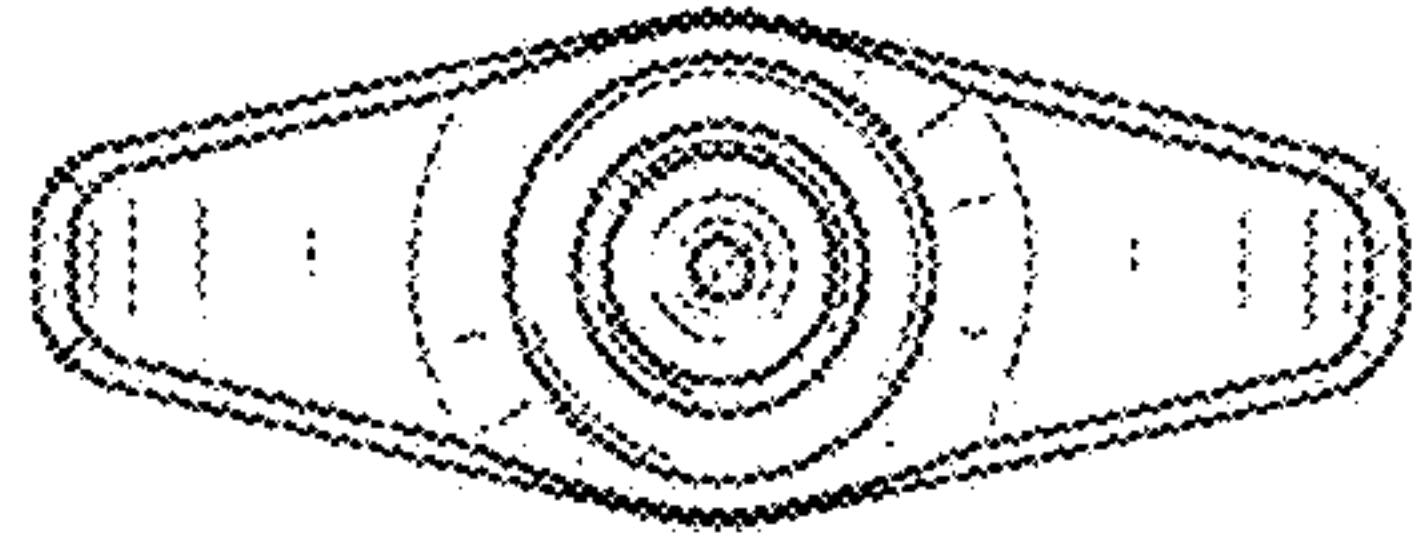


FIG. 4

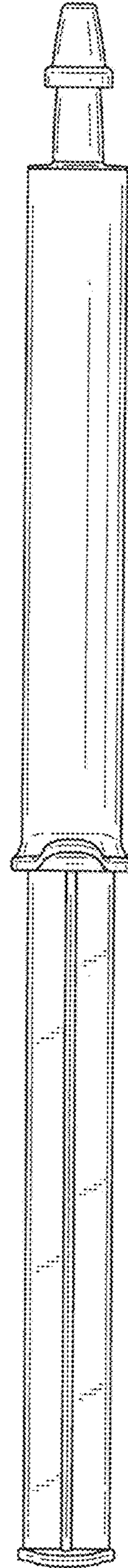


FIG. 5