



US00D834178S

(12) **United States Design Patent** (10) **Patent No.:** **US D834,178 S**
Kinsey et al. (45) **Date of Patent:** **** Nov. 20, 2018**

(54) **INHALER**

(71) Applicant: **MannKind Corporation**, Valencia, CA (US)

(72) Inventors: **P. Spencer Kinsey**, Sandy Hook, CT (US); **Brendan Laurenzi**, Middlebury, CT (US); **Benoit Adamo**, South Salem, NY (US); **Chad C. Smutney**, Watertown, CT (US)

(73) Assignee: **MannKind Corporation**, Westlake Village, CA (US)

(**) Term: **15 Years**

(21) Appl. No.: **29/604,731**

(22) Filed: **May 19, 2017**

(51) **LOC (11) Cl.** **29-02**

(52) **U.S. Cl.**
USPC **D24/110**

(58) **Field of Classification Search**
USPC D24/107, 108, 110, 110.5, 164;
D27/100, 101, 163
CPC A61M 15/00; A61M 15/0001; A61M 15/0021; A61M 15/0045; A61M 15/0028; A61M 15/0091; A61M 2202/064
See application file for complete search history.

(56) **References Cited**

U.S. PATENT DOCUMENTS

5,794,613	A *	8/1998	Piskorski	A61M 15/0045
					128/202.17
6,223,746	B1 *	5/2001	Jewett	A61M 15/0065
					128/200.14
D597,657	S *	8/2009	Kinsey	D24/110
D605,752	S *	12/2009	Polidoro	D24/110

(Continued)

Primary Examiner — Eric L Goodman

Assistant Examiner — Lilyana Bekic

(74) *Attorney, Agent, or Firm* — K&L Gates LLP; Louis C. Cullman; Georgia Kefallinos

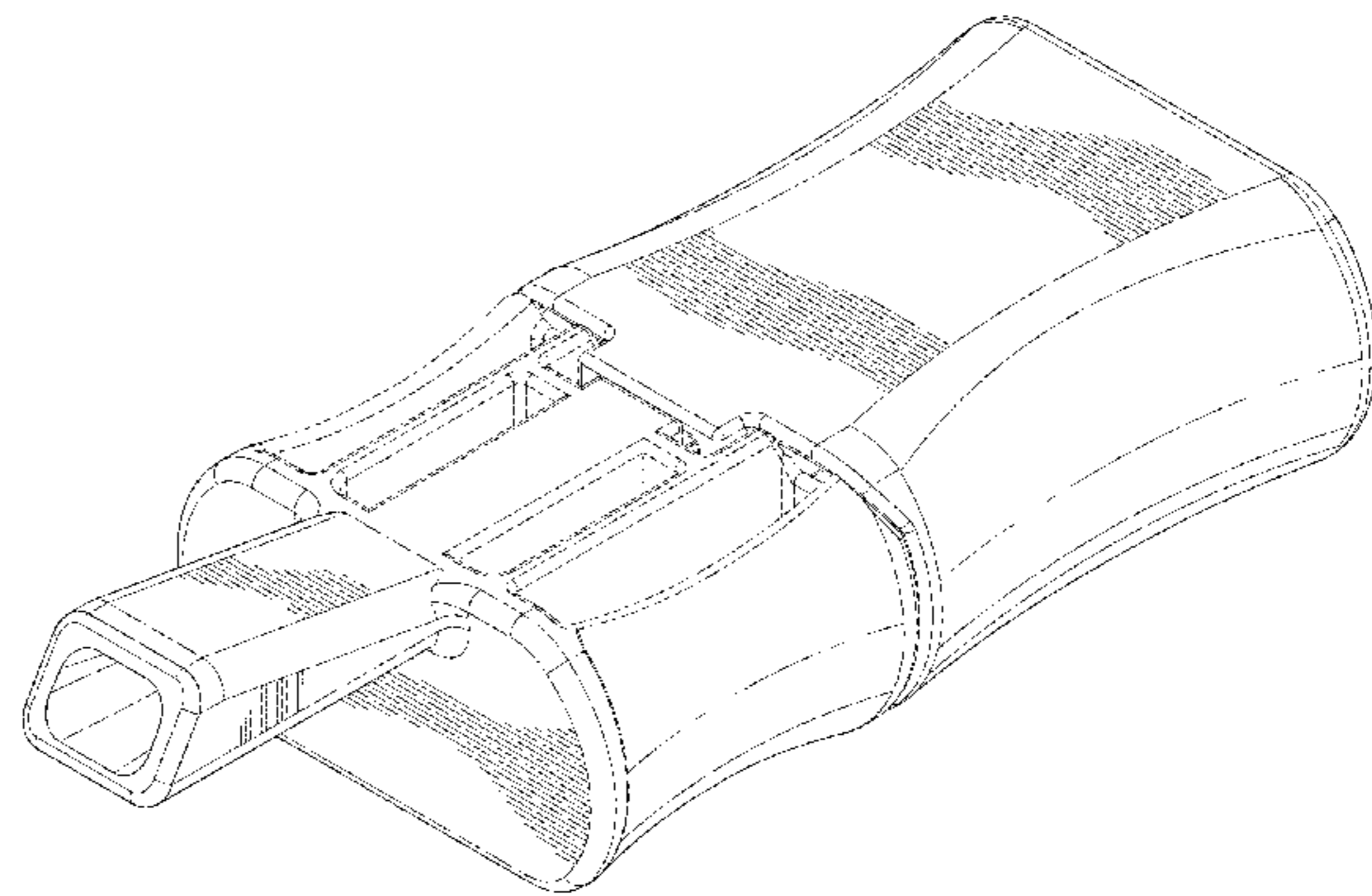
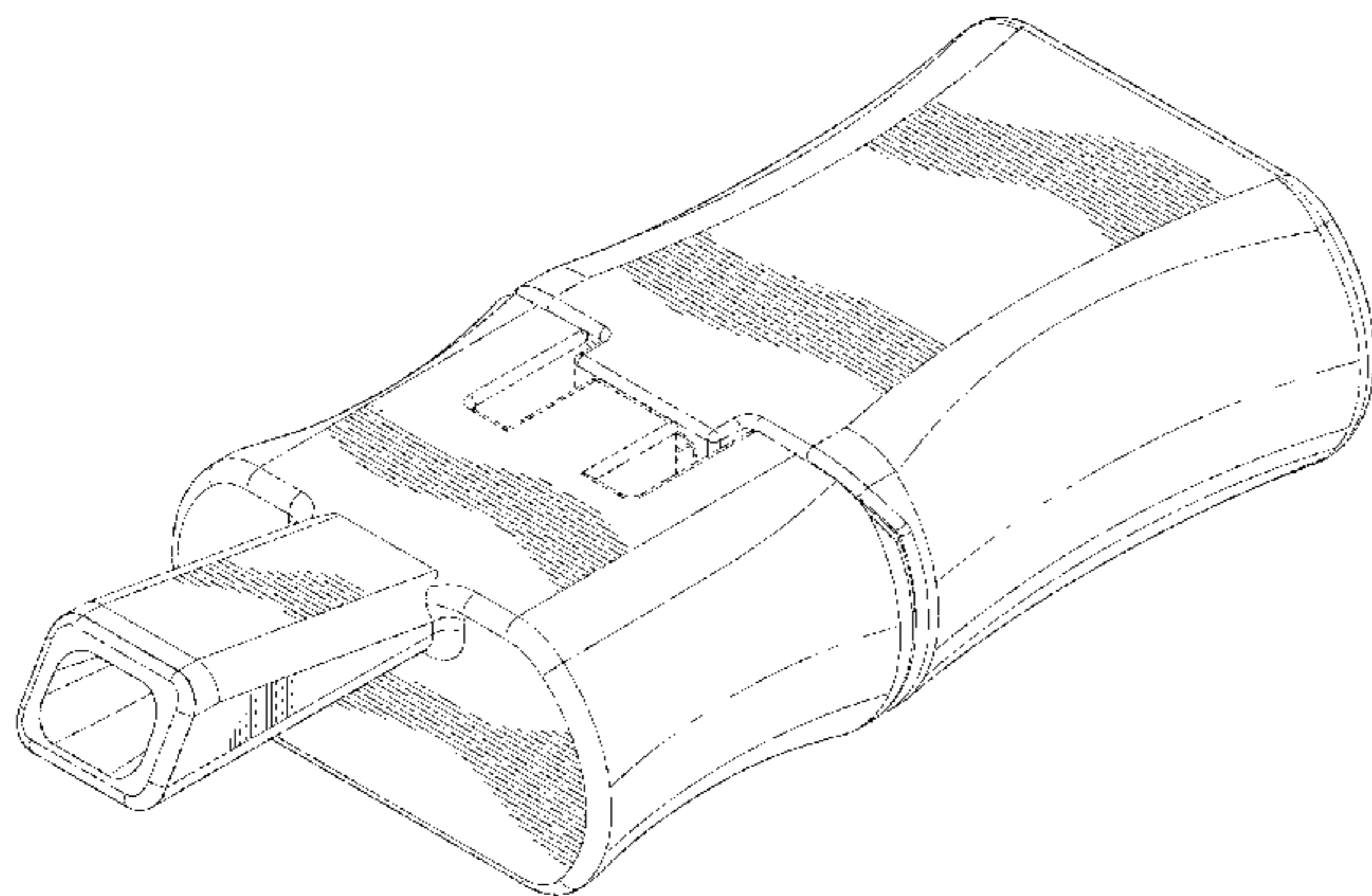
(57) **CLAIM**

The ornamental design for an inhaler, as shown and described.

DESCRIPTION

FIG. 1 is a front perspective view of a first embodiment of an inhaler of our design.
 FIG. 2 is a rear perspective view of the inhaler of FIG. 1.
 FIG. 3 is a first side view of the inhaler of FIG. 1.
 FIG. 4 is a second side view of the inhaler of FIG. 1.
 FIG. 5 is a front view of the inhaler of FIG. 1.
 FIG. 6 is a rear view of the inhaler of FIG. 1.
 FIG. 7 is a top view of the inhaler of FIG. 1.
 FIG. 8 is a bottom view of the inhaler of FIG. 1.
 FIG. 9 is a front perspective view of a second embodiment of an inhaler of our design.
 FIG. 10 is a rear perspective view of the inhaler of FIG. 9.
 FIG. 11 is a first side view of the inhaler of FIG. 9.
 FIG. 12 is a second side view of the inhaler of FIG. 9.
 FIG. 13 is a front view of the inhaler of FIG. 9.
 FIG. 14 is a rear view of the inhaler of FIG. 9.
 FIG. 15 is a top view of the inhaler of FIG. 9.
 FIG. 16 is a bottom view of the inhaler of FIG. 9.
 FIG. 17 is a front perspective view of a third embodiment of an inhaler of our design.
 FIG. 18 is a rear perspective view of the inhaler of FIG. 17.
 FIG. 19 is a first side view of the inhaler of FIG. 17.
 FIG. 20 is a second side view of the inhaler of FIG. 17.
 FIG. 21 is a front view of the inhaler of FIG. 17.
 FIG. 22 is a rear view of the inhaler of FIG. 17.
 FIG. 23 is a top view of the inhaler of FIG. 17; and,
 FIG. 24 is a bottom view of the inhaler of FIG. 17.
 Broken lines shown in the figures are included for the purpose of illustrating portions of the inhaler and form no part of the claimed design.

1 Claim, 18 Drawing Sheets



(56)

References Cited

U.S. PATENT DOCUMENTS

D614,760 S *	4/2010	Smutney	D24/110	2006/0037612 A1 *	2/2006	Herder	A61M 15/0065
D629,505 S *	12/2010	Adamo	D24/110.5					128/203.15
D629,506 S *	12/2010	Adamo	D24/110.5	2006/0099269 A1 *	5/2006	Ceatham	A61K 9/0075
D629,886 S *	12/2010	Adamo	D24/110.5					424/489
D629,887 S *	12/2010	Adamo	D24/110.5	2009/0241949 A1 *	10/2009	Smutney	A61M 15/0028
D629,888 S *	12/2010	Adamo	D24/110.5					128/203.15
D635,242 S *	3/2011	Adamo	D24/110	2009/0308390 A1 *	12/2009	Smutney	A61M 15/0028
D635,243 S *	3/2011	Kinsey	D24/110					128/203.15
D636,867 S *	4/2011	Polidoro	D24/110	2009/0314292 A1 *	12/2009	Overfield	A61B 5/087
D636,868 S *	4/2011	Kinsey	D24/110					128/203.15
D636,869 S *	4/2011	Laurenzi	D24/110	2010/0197565 A1 *	8/2010	Smutney	A61M 15/0028
D674,893 S *	1/2013	Kinsey	D24/110					514/1.1
D697,200 S *	1/2014	Mahaffy	D24/110	2012/0247235 A1 *	10/2012	Adamo	A61B 5/08
D742,503 S *	11/2015	Mullinger	D24/110					73/865.4
D776,278 S *	1/2017	Newman	D24/164	2013/0104887 A1 *	5/2013	Smutney	A61M 15/0028
9,662,461 B2 *	5/2017	Smutney	A61M 15/0091					128/203.15
D797,935 S *	9/2017	Newman	D24/164	2014/0014106 A1 *	1/2014	Smutney	A61M 15/00
9,802,012 B2 *	10/2017	Smutney	A61M 15/00					128/203.15
2004/0182387 A1 *	9/2004	Steiner	A61M 15/0028	2014/0116426 A1 *	5/2014	Mullinger	A61M 11/005
				128/203.15					128/200.14
					2017/0216538 A1 *	8/2017	Kinsey	A61M 15/0021

* cited by examiner

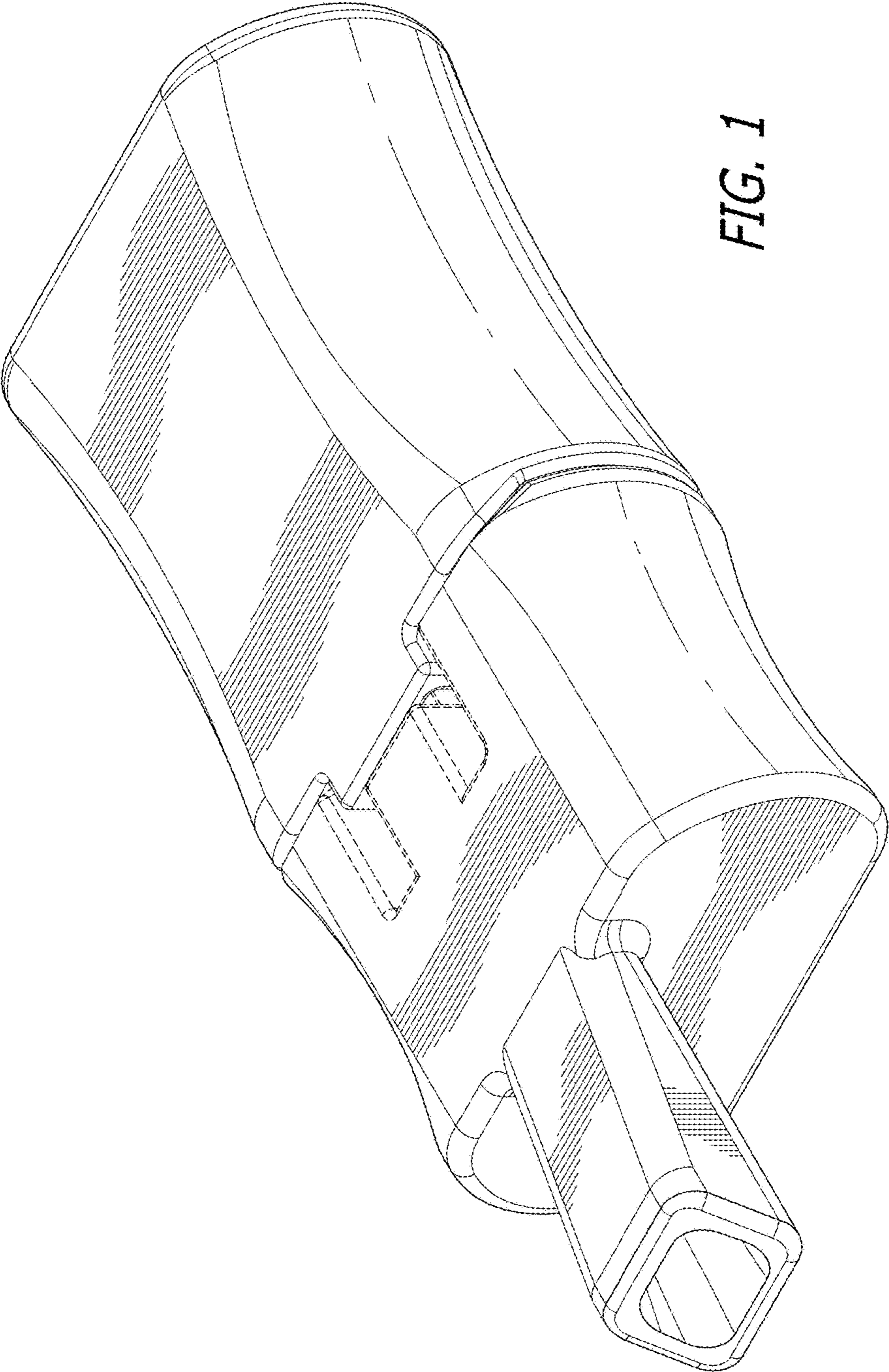


FIG. 1

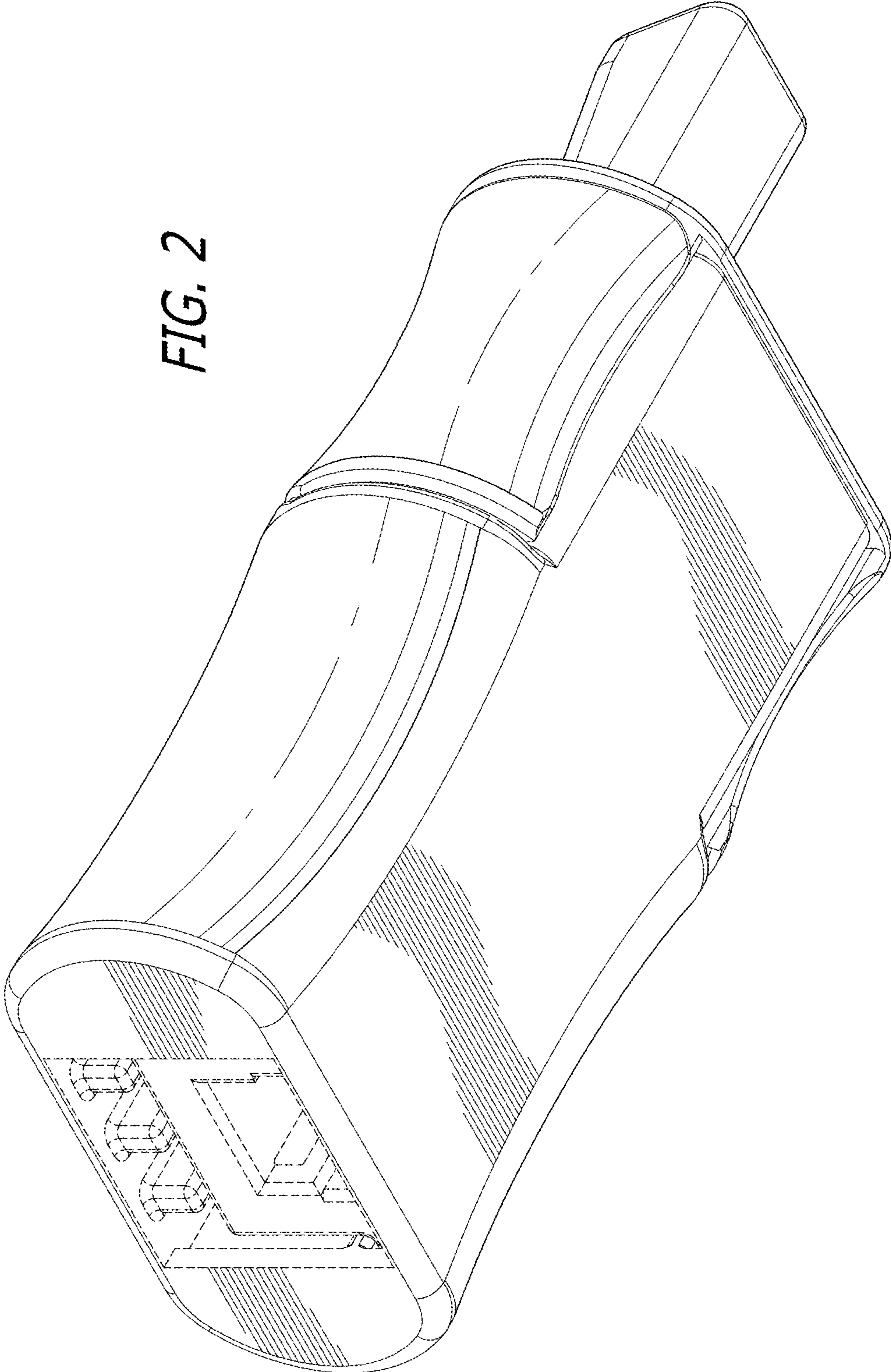


FIG. 2

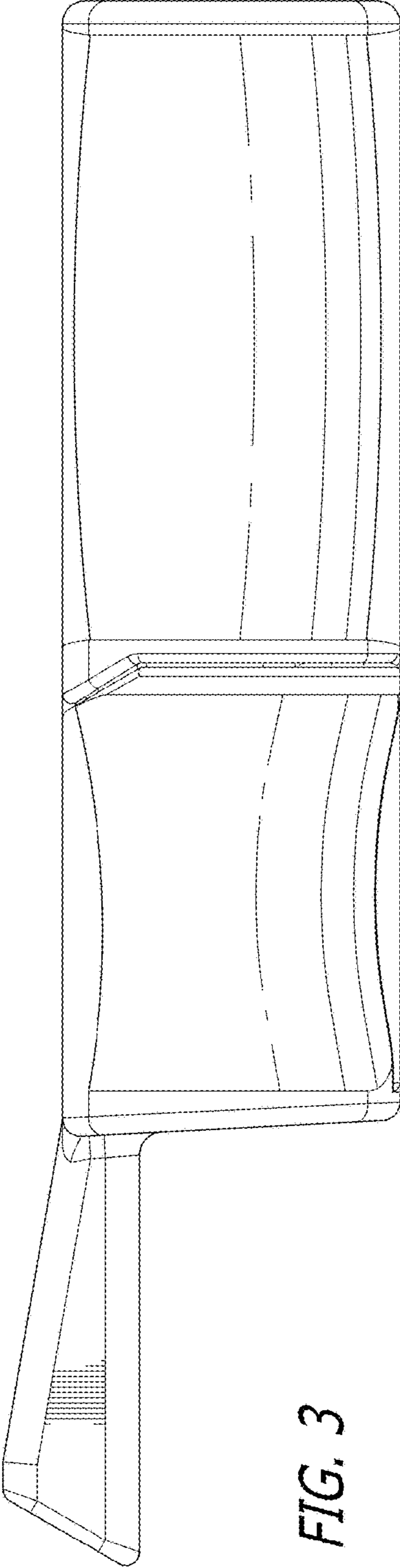


FIG. 3

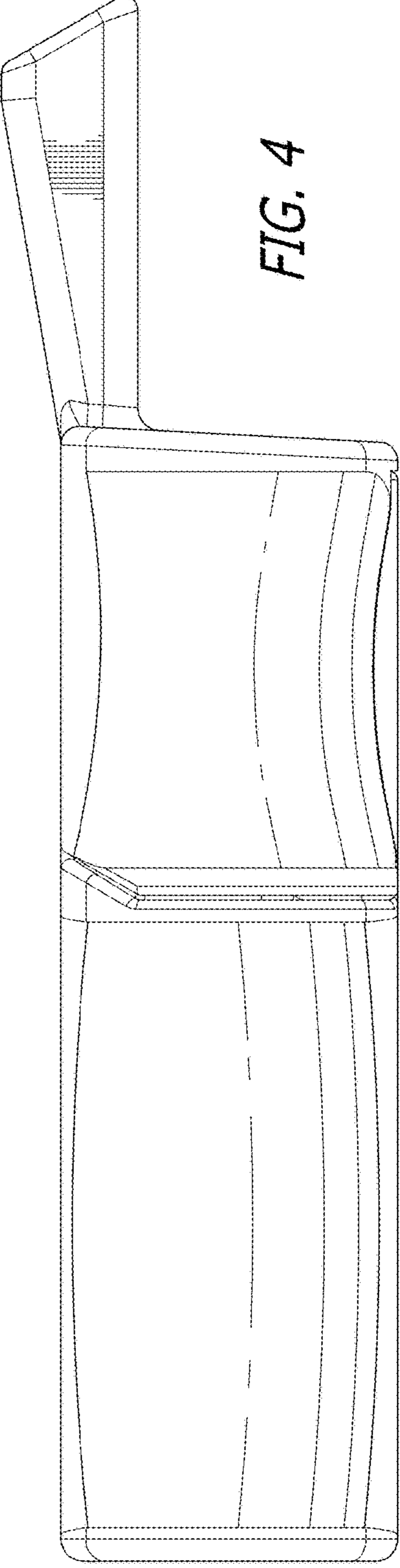


FIG. 4

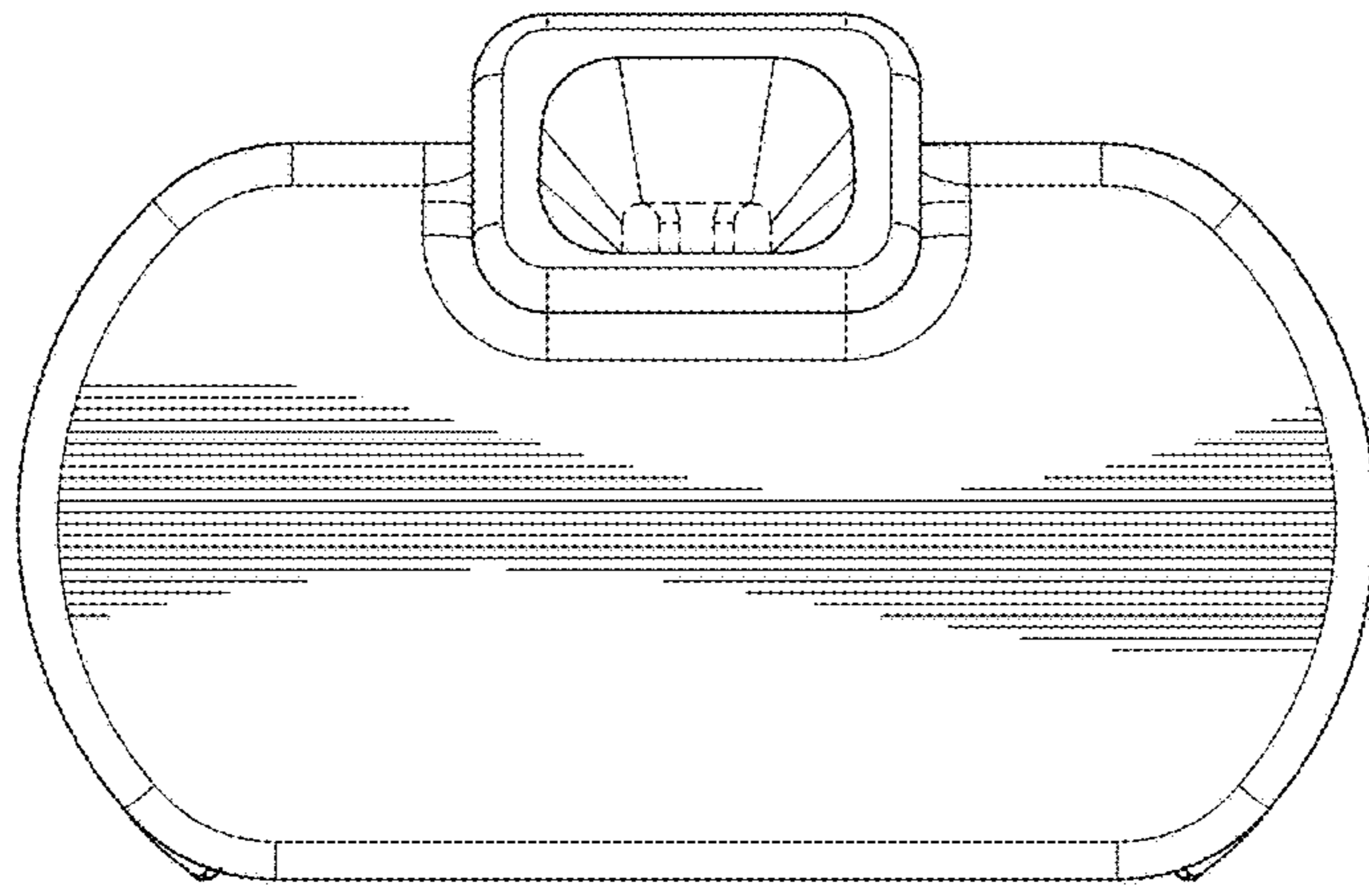


FIG. 5

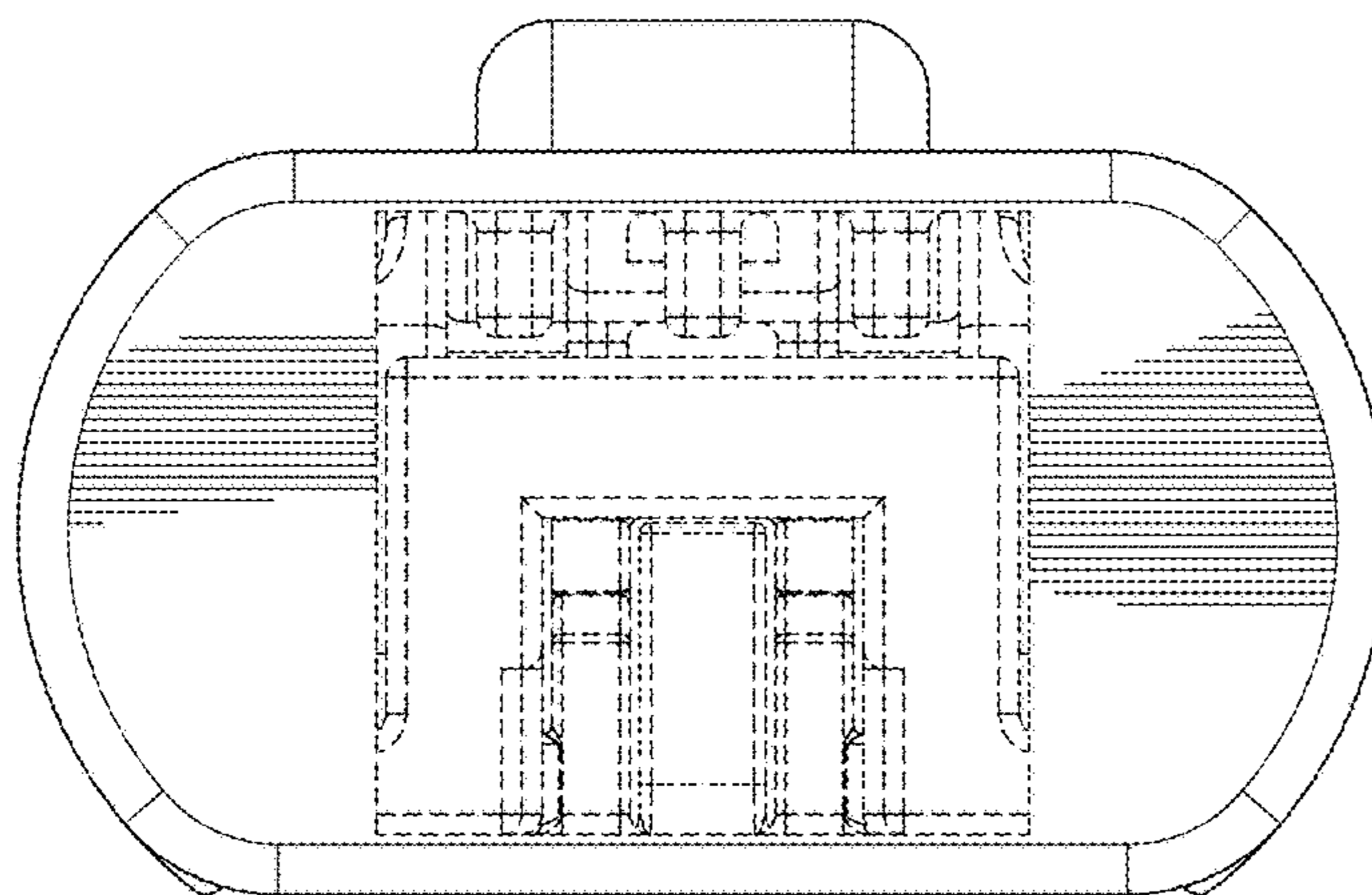


FIG. 6

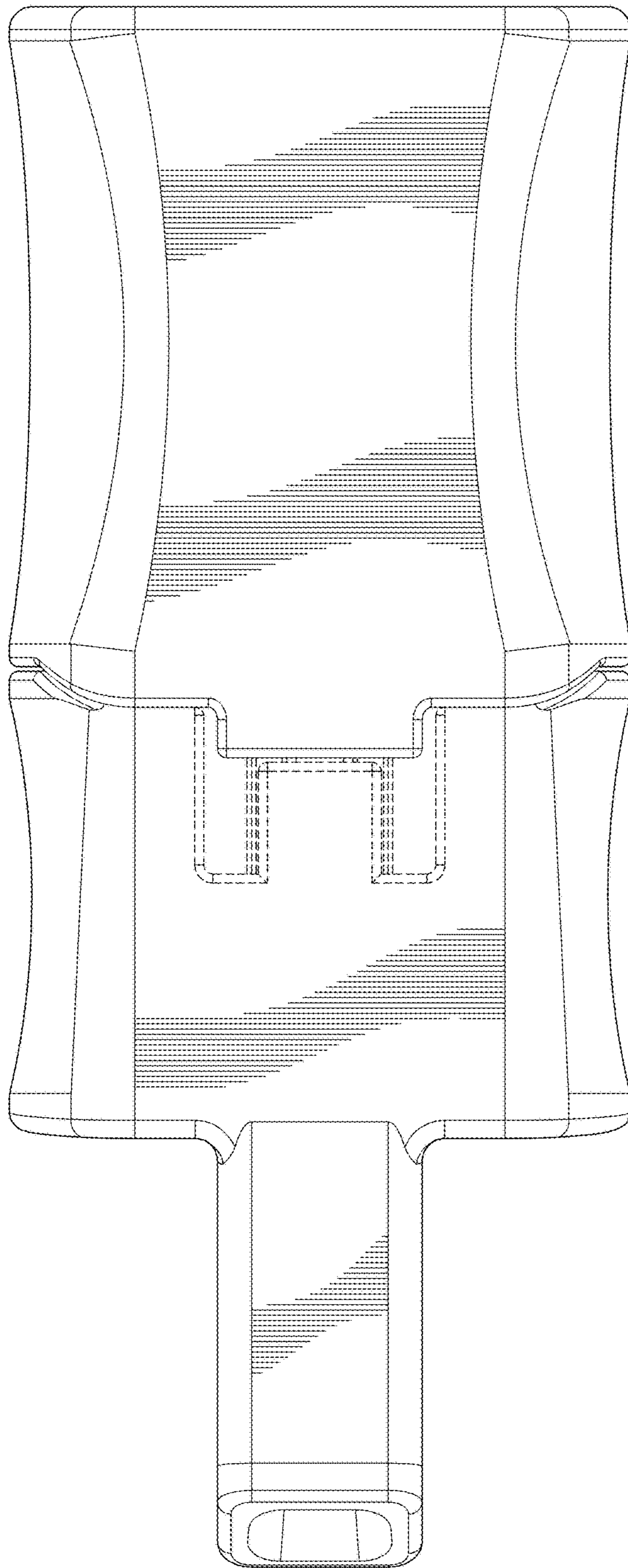


FIG. 7

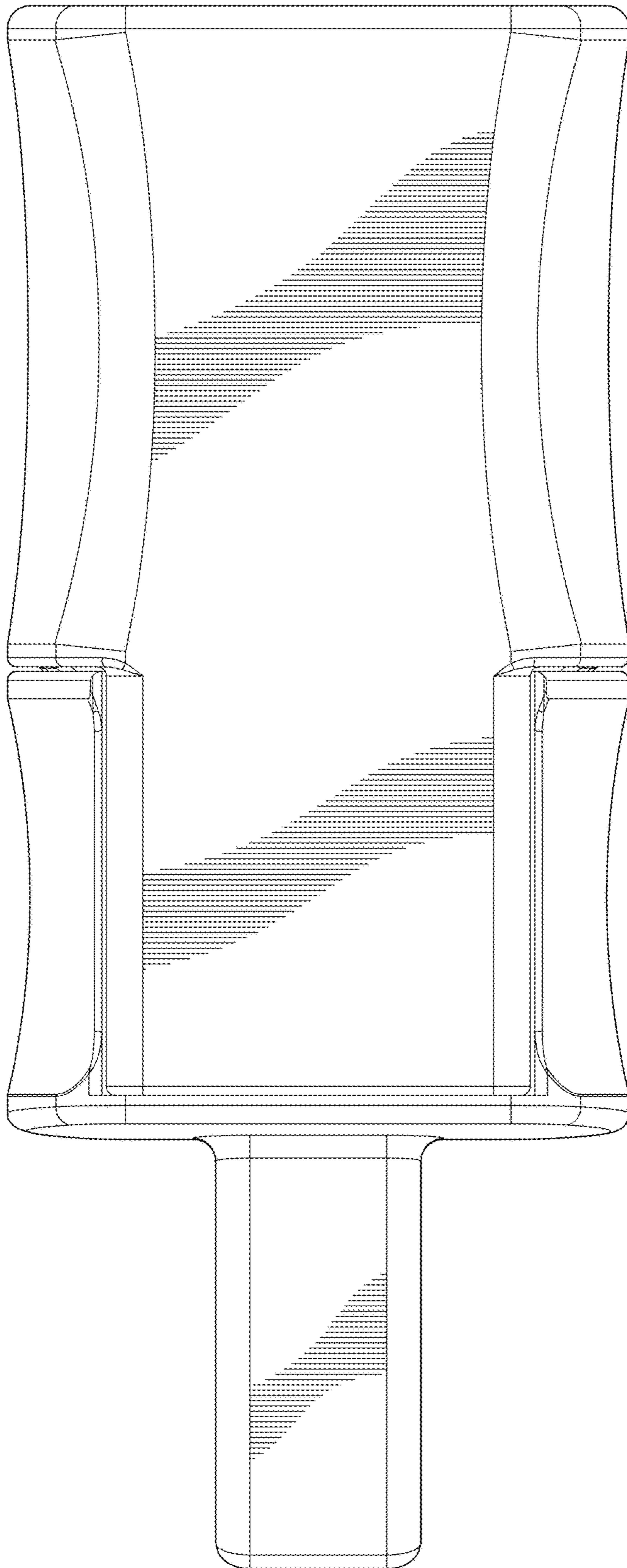


FIG. 8

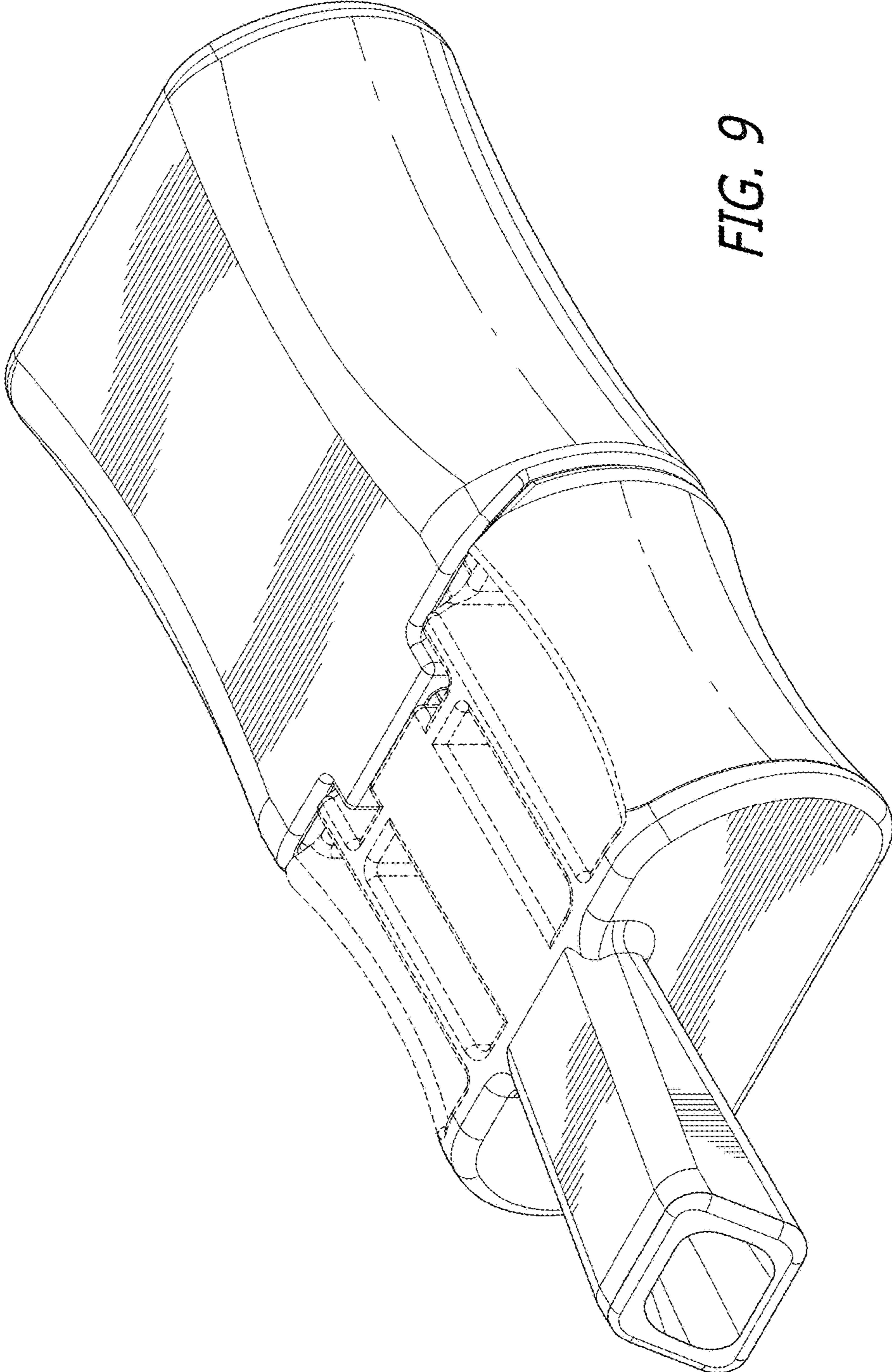


FIG. 9

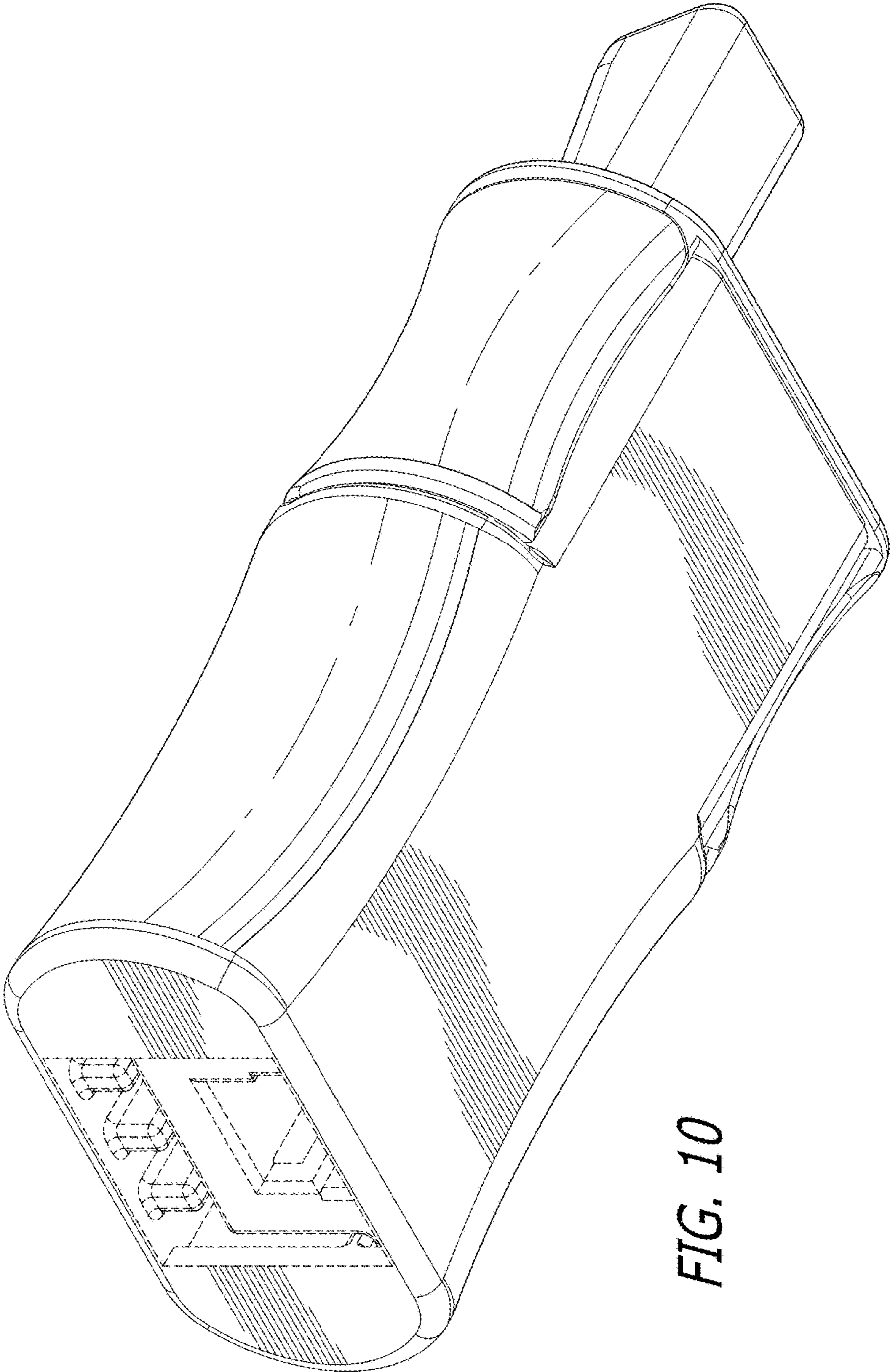
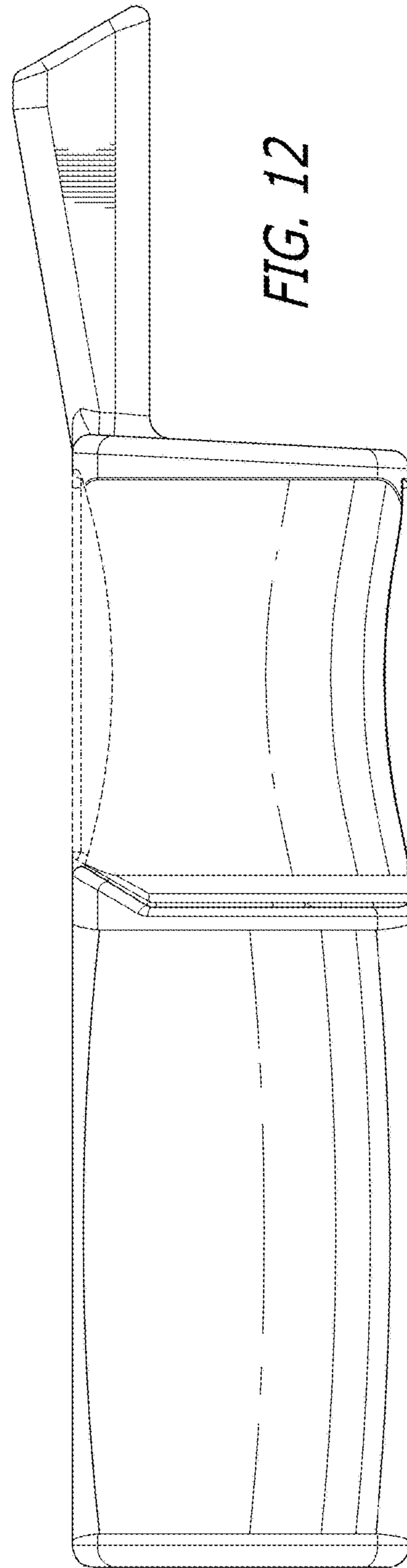
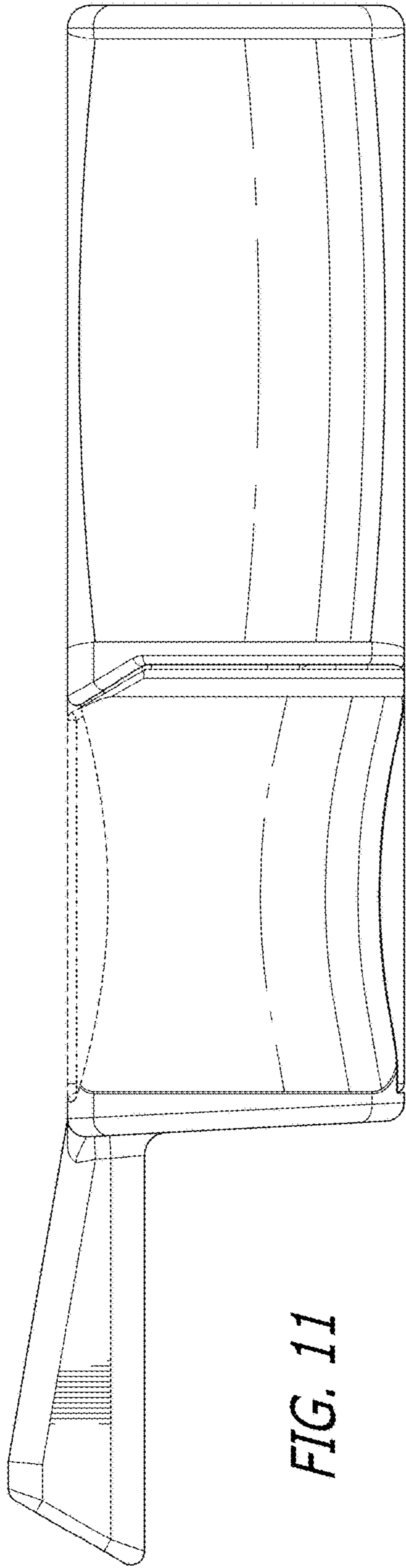


FIG. 10



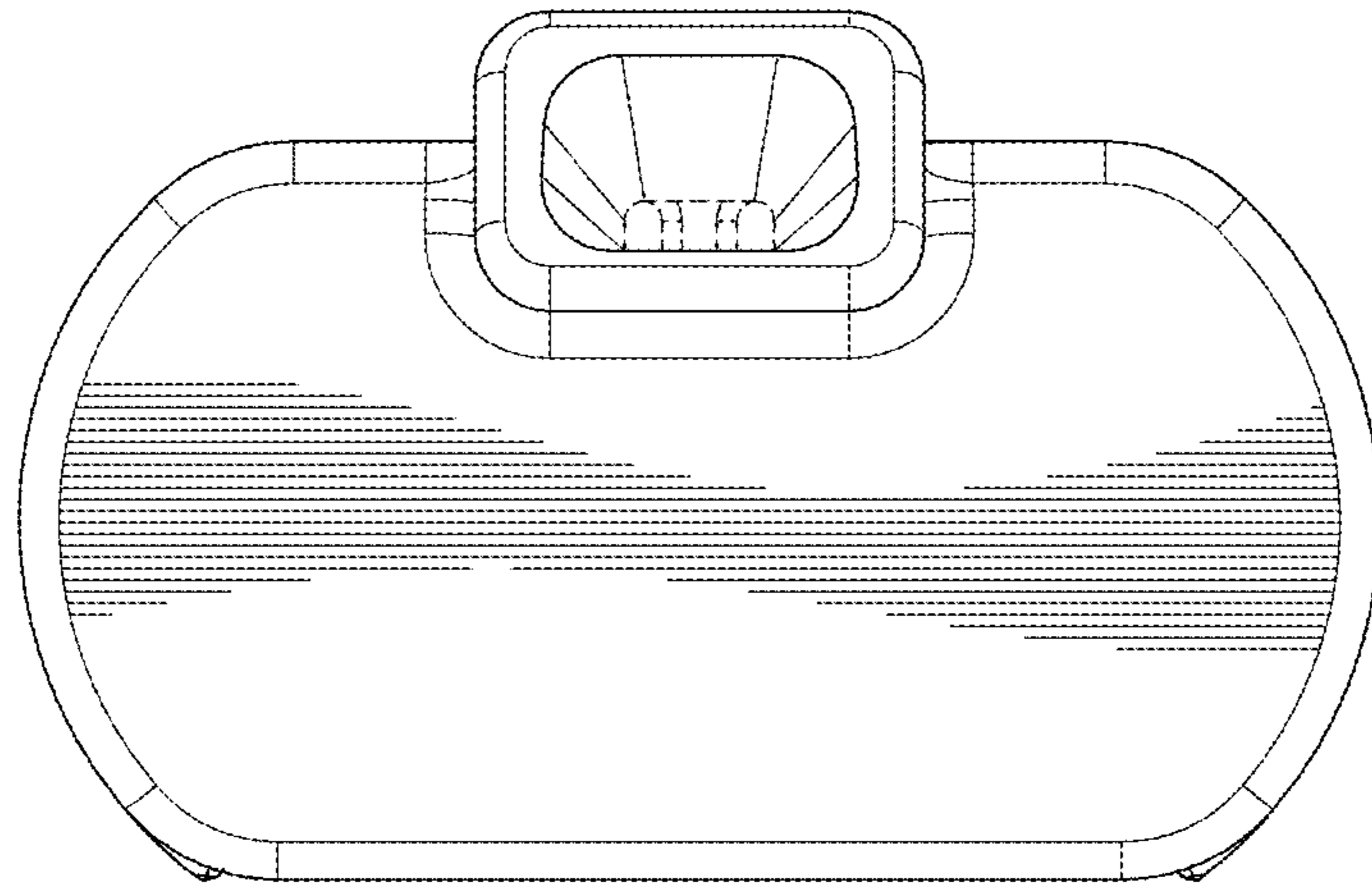


FIG. 13

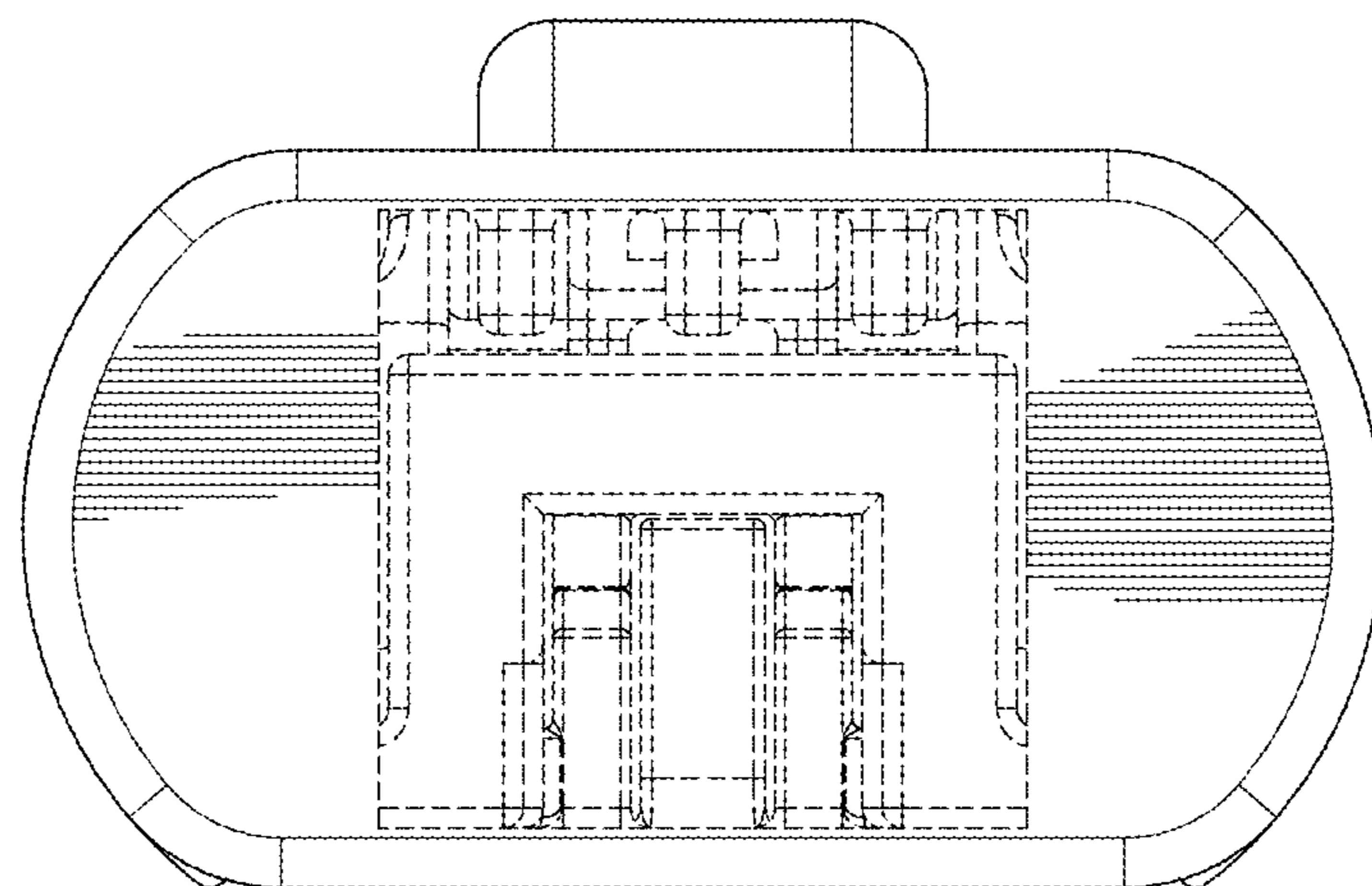


FIG. 14

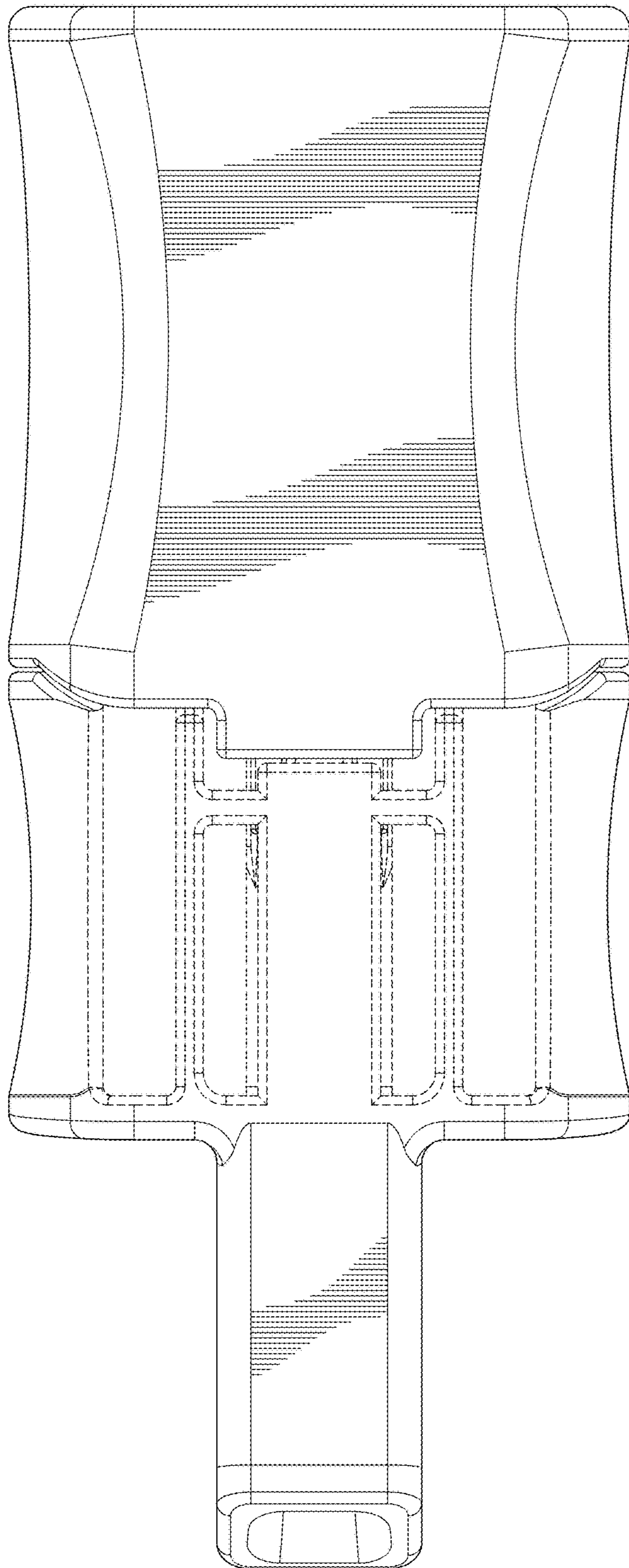


FIG. 15

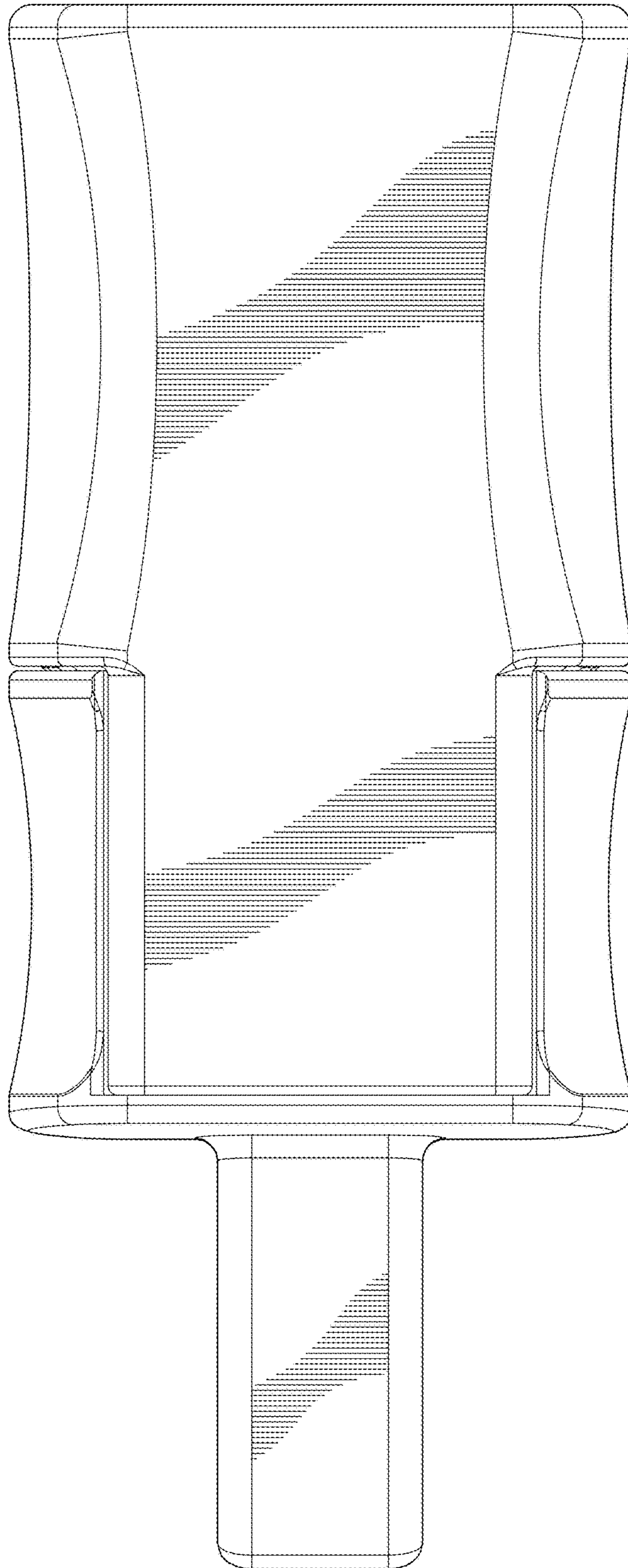


FIG. 16

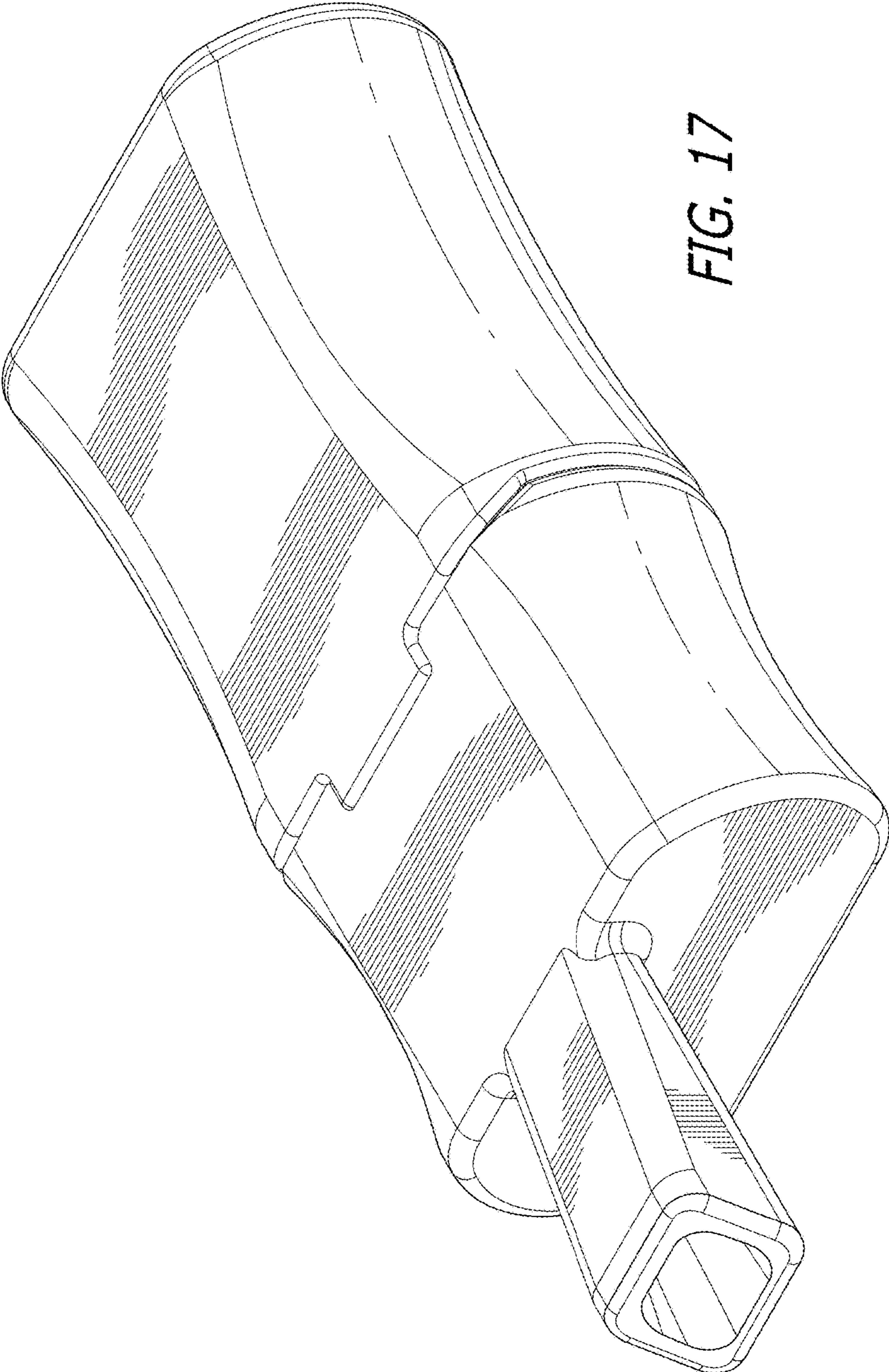


FIG. 17

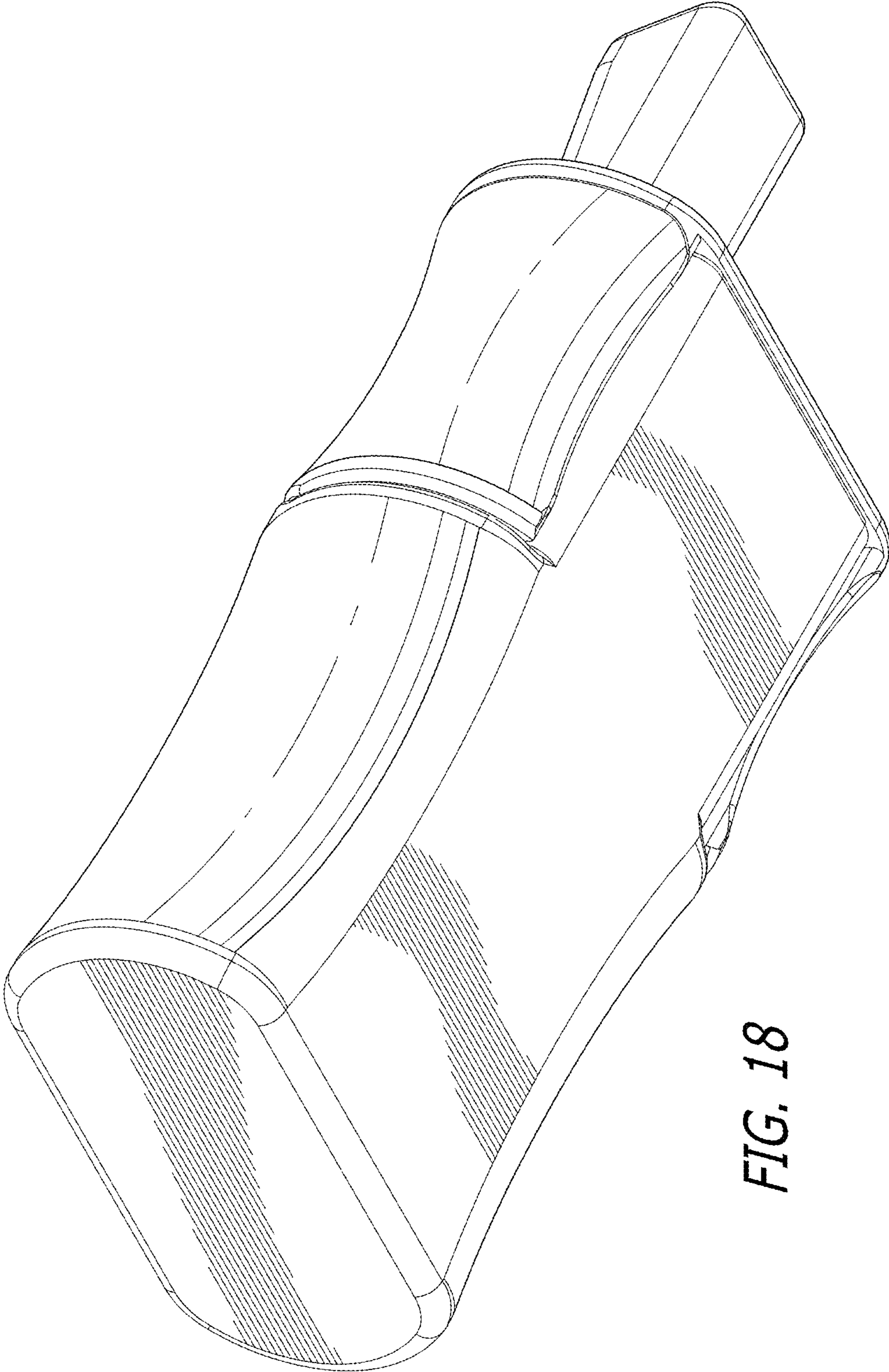
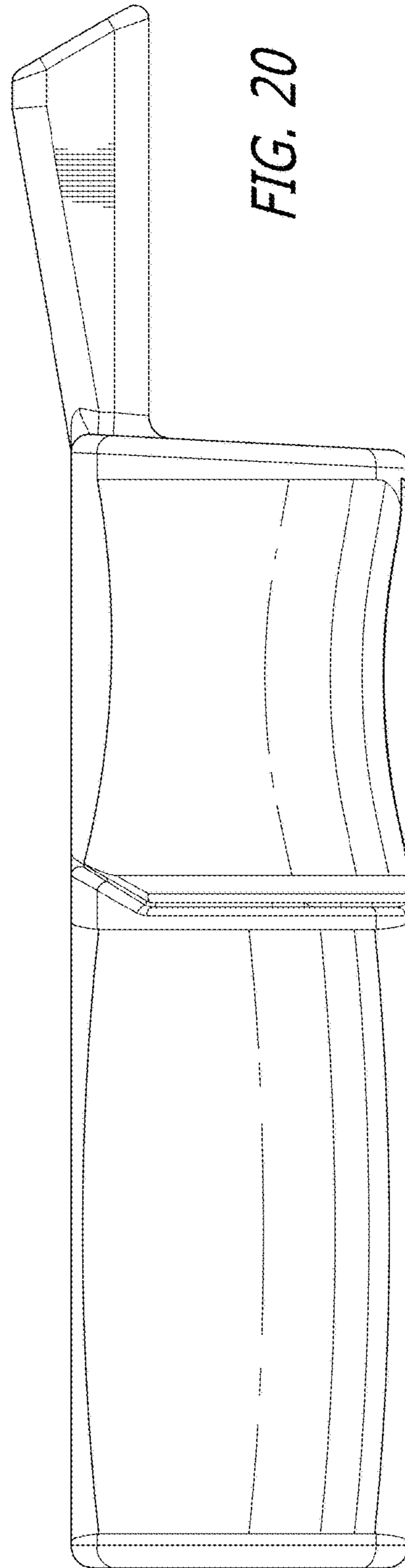
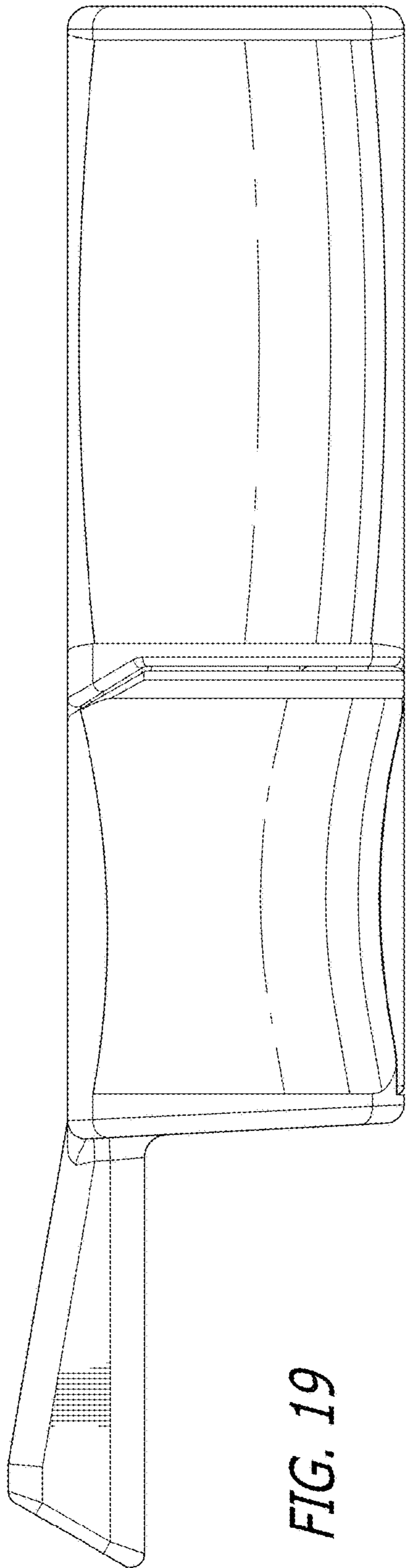


FIG. 18



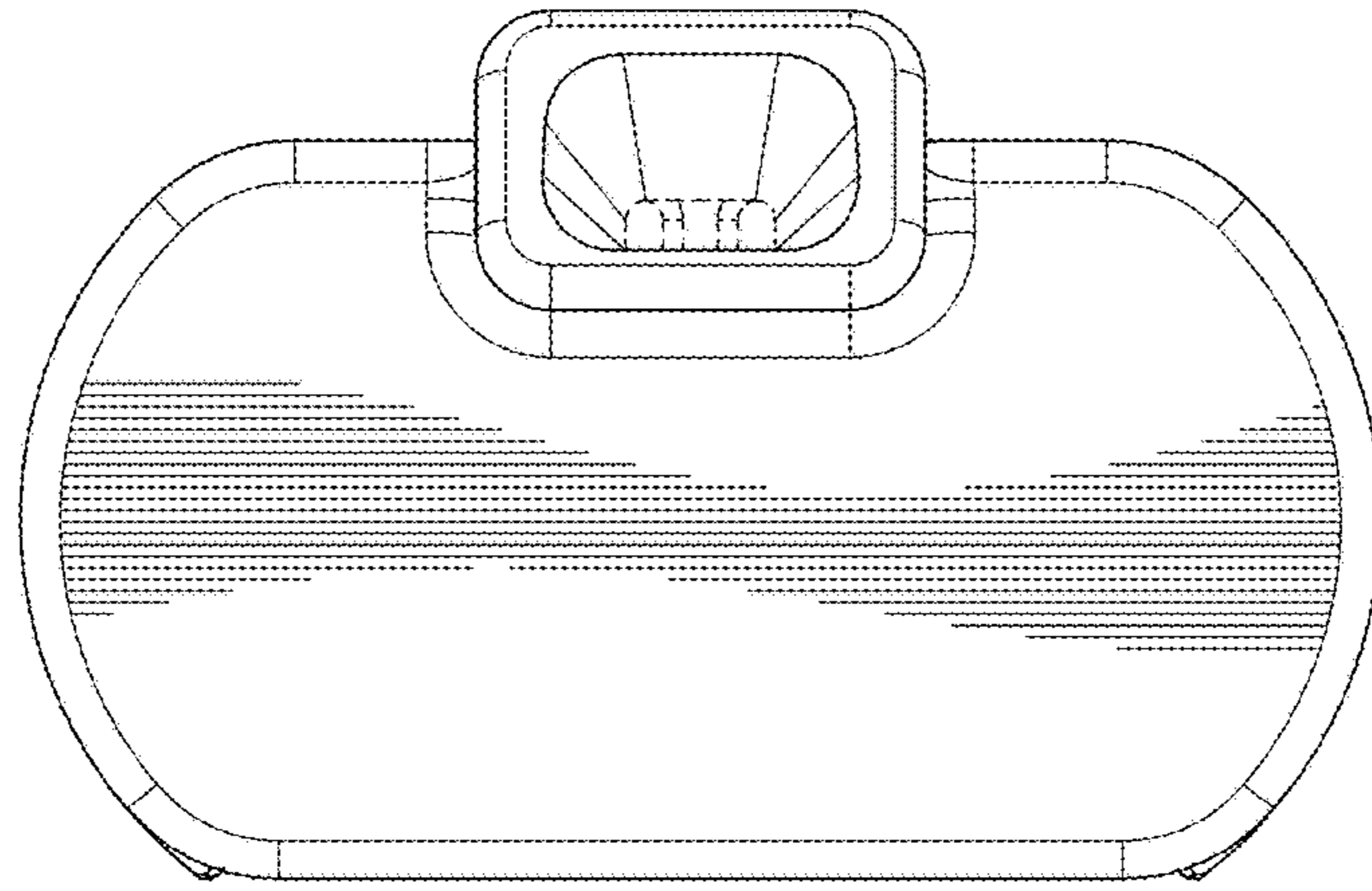


FIG. 21

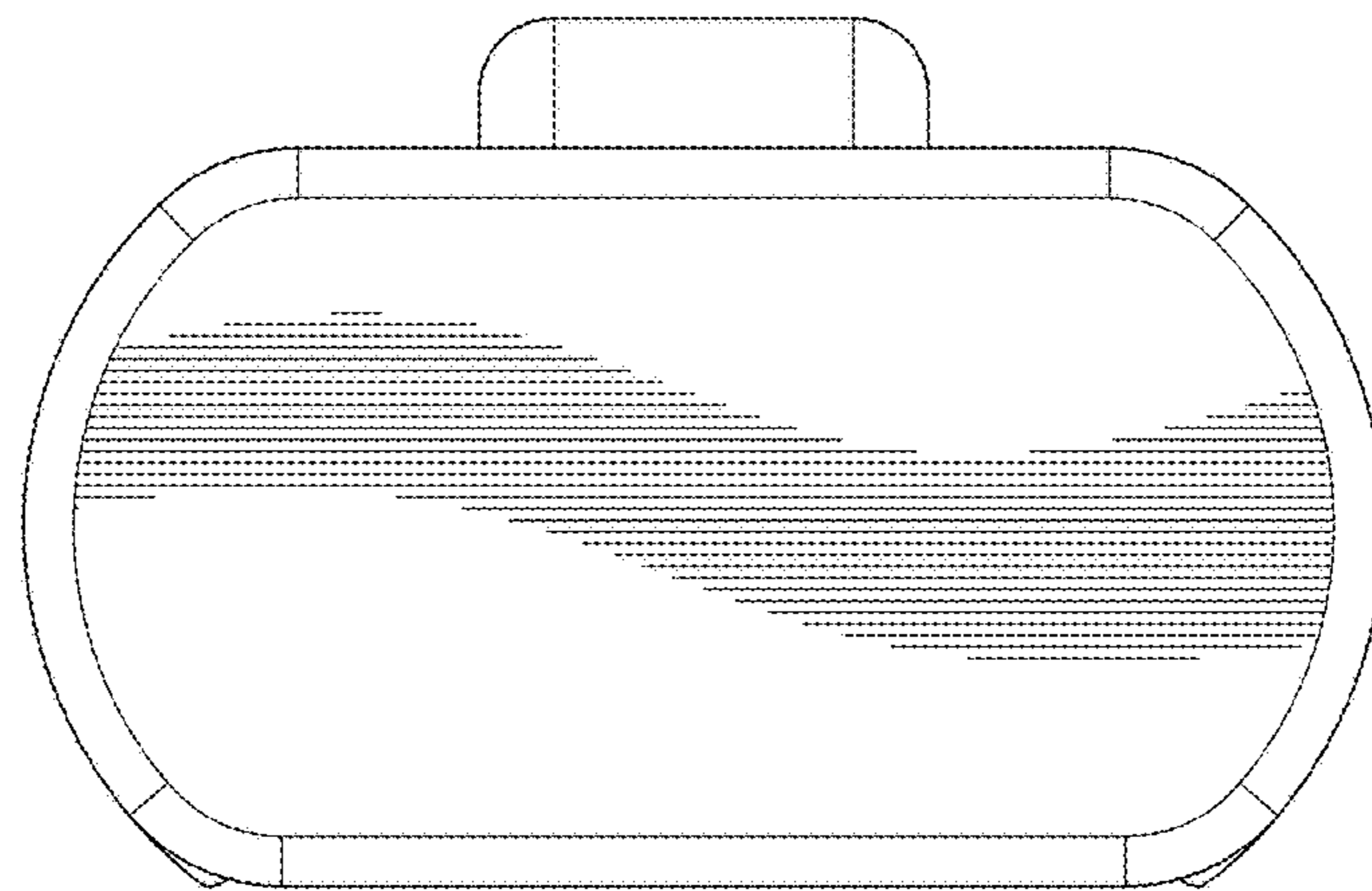


FIG. 22

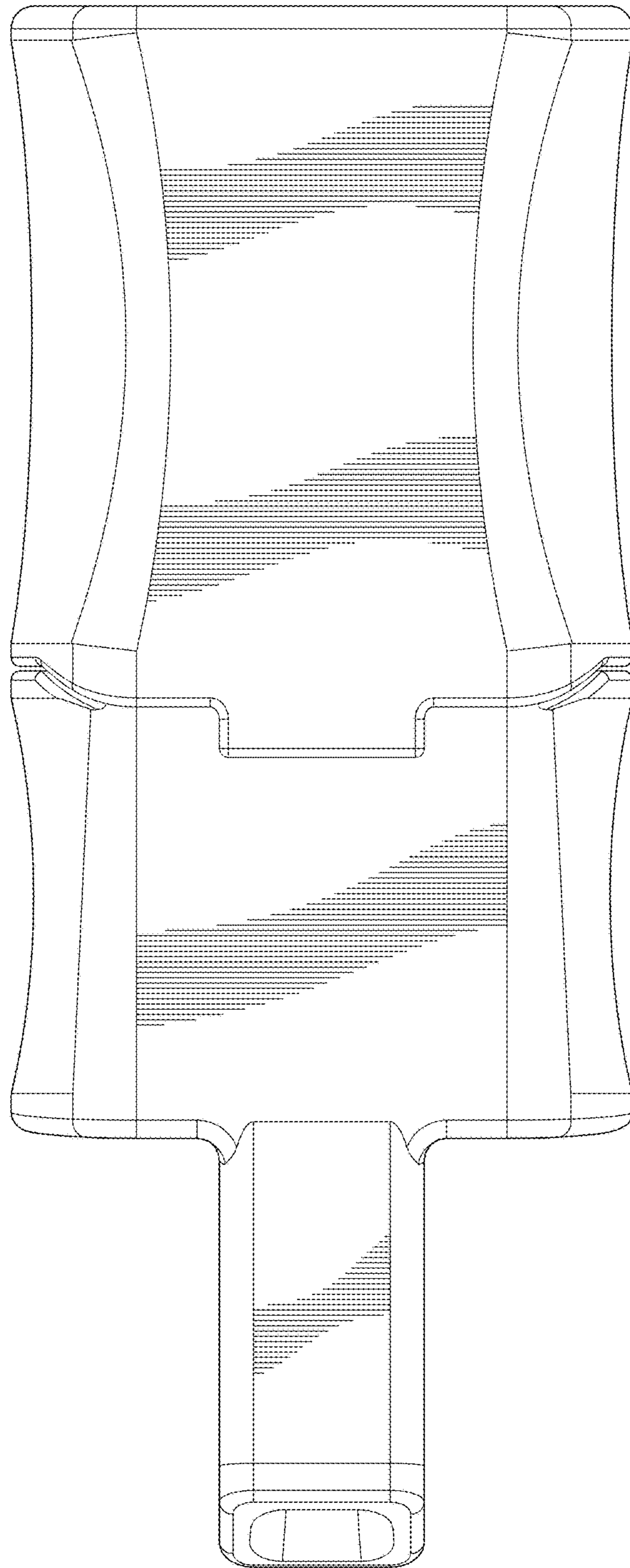


FIG. 23

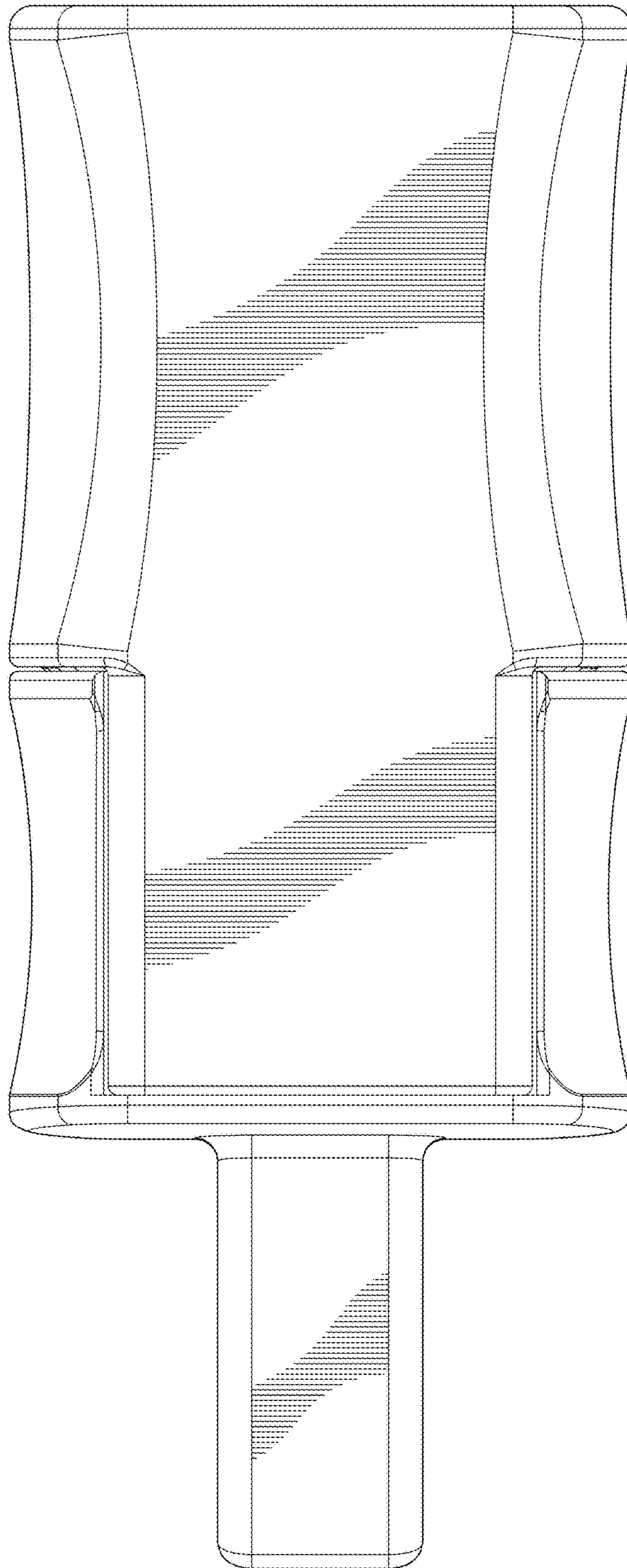


FIG. 24