



US00D834177S

(12) **United States Design Patent**
Chang et al.

(10) **Patent No.:** **US D834,177 S**

(45) **Date of Patent:** **** Nov. 20, 2018**

(54) **FLEX CONDUIT FOR A BREAST PUMP**

(71) Applicant: **EXPLORAMED NC7, INC.**, Mountain View, CA (US)

(72) Inventors: **John Chang**, Los Altos, CA (US);
Brian Mason, Menlo Park, CA (US)

(73) Assignee: **ExploraMed NC7, Inc.**, Mountain View, CA (US)

(**) Term: **15 Years**

(21) Appl. No.: **29/633,989**

(22) Filed: **Jan. 17, 2018**

Related U.S. Application Data

(63) Continuation of application No. 29/554,305, filed on Feb. 10, 2016, now Pat. No. Des. 811,579.

(51) **LOC (11) Cl.** **24-02**

(52) **U.S. Cl.**
USPC **D24/109**

(58) **Field of Classification Search**
USPC D24/108, 109, 127, 107, 111, 200, 215,
D24/110.3, 110.5, 110.6, 112, 114, 129,
D24/130; 604/74-76; D32/21, 22, 23,
D32/24, 31, 32, 33; D29/108, 122
CPC A61M 1/06; A61M 1/062; A61M 1/064;
A61M 1/066; A61M 1/0037; A61M
1/0072; A61M 1/0049; A61M 1/0031
See application file for complete search history.

(56) **References Cited**

U.S. PATENT DOCUMENTS

3,141,460 A * 7/1964 Tsochatzopoulos
A61B 5/15003
600/577
D447,797 S * 9/2001 Odell D24/112
D460,552 S * 7/2002 Niermann D24/130

D604,836 S * 11/2009 Crawford D24/130
D604,837 S * 11/2009 Crawford D24/130
D604,838 S * 11/2009 Crawford D24/130
D604,839 S * 11/2009 Crawford D24/130
D604,840 S * 11/2009 Crawford D24/130
D604,841 S * 11/2009 Crawford D24/130
D616,985 S * 6/2010 Ade D24/130
D617,454 S * 6/2010 Shaw D24/130
D627,065 S * 11/2010 Ade D24/130
7,824,363 B2 * 11/2010 Myers A61M 1/06
604/73
D700,321 S * 2/2014 Strong D24/130
D715,428 S * 10/2014 Baid D24/130
D811,579 S * 2/2018 Chang D24/109
9,919,084 B2 * 3/2018 Pollen A61M 1/06
2002/0193731 A1 * 12/2002 Myers A61M 1/06
604/74
2007/0219486 A1 * 9/2007 Myers A61M 1/064
604/74
2008/0275386 A1 * 11/2008 Myers A61M 1/06
604/74

(Continued)

Primary Examiner — Eric L Goodman

Assistant Examiner — Lilyana Bekic

(57) **CLAIM**

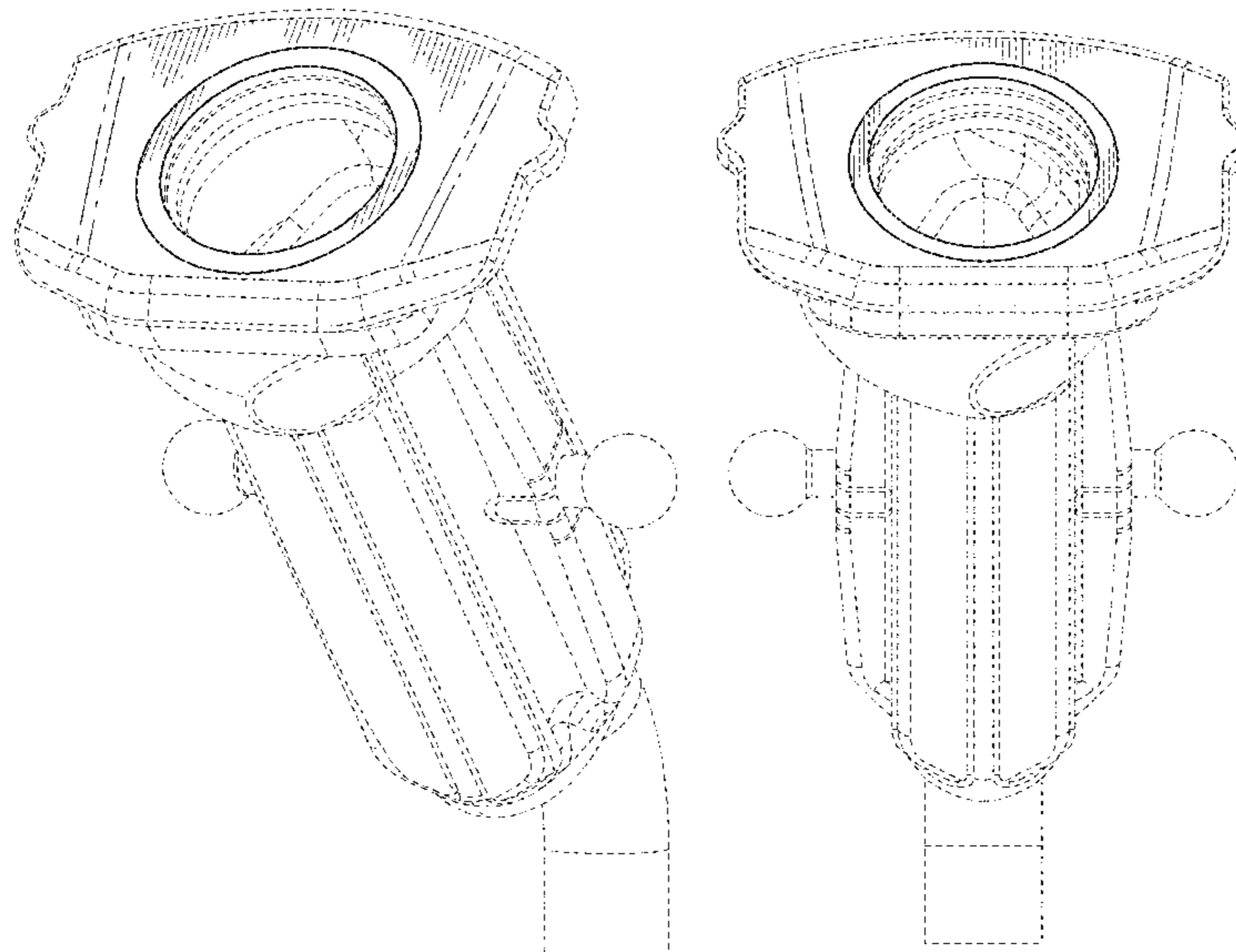
The ornamental design for a flex conduit for a breast pump system, as shown and described.

DESCRIPTION

FIG. 1 is a front perspective view of a flex conduit for a breast pump showing our new design;
FIG. 2 is a front view thereof;
FIG. 3 is a rear view thereof;
FIG. 4 is a left side view thereof;
FIG. 5 is a right side view thereof;
FIG. 6 is a top view thereof; and,
FIG. 7 is a bottom view thereof.

The dash-dash broken lines in the drawings depict portions of the flex conduit for a breast pump that form no part of the claimed design.

1 Claim, 6 Drawing Sheets



(56)

References Cited

U.S. PATENT DOCUMENTS

2014/0052056	A1*	2/2014	Garbez	A61M 1/062 604/74
2014/0180205	A1*	6/2014	Lee	A61M 1/0023 604/74
2016/0058928	A1*	3/2016	Nowroozi	A61M 1/064 604/74
2016/0206794	A1*	7/2016	Makower	A61M 1/06
2017/0080134	A1*	3/2017	Makower	A61M 1/06
2017/0173232	A1*	6/2017	Chang	A61M 1/06
2018/0021490	A1*	1/2018	Chang	A61M 1/06 604/514

* cited by examiner

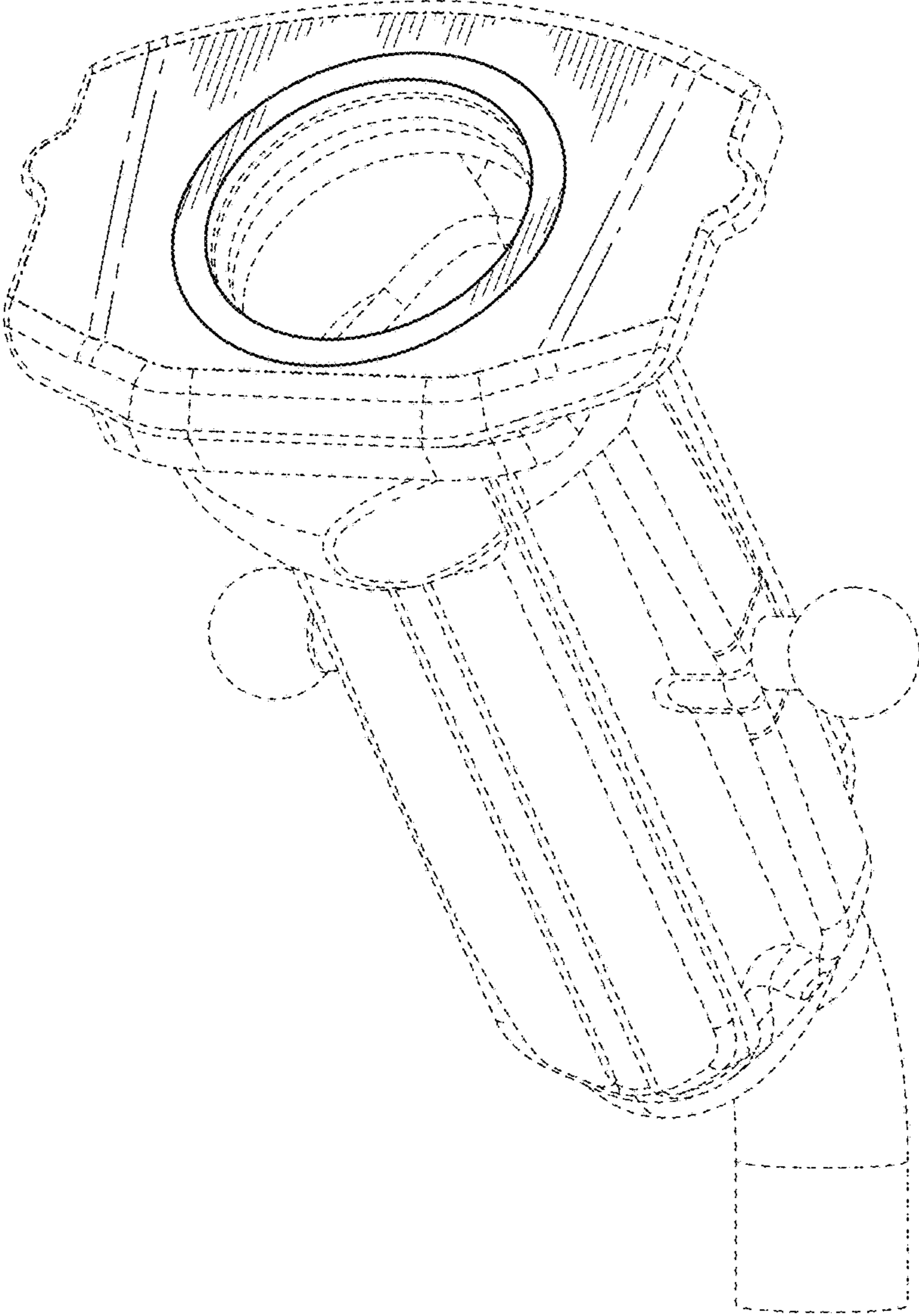


FIG. 1

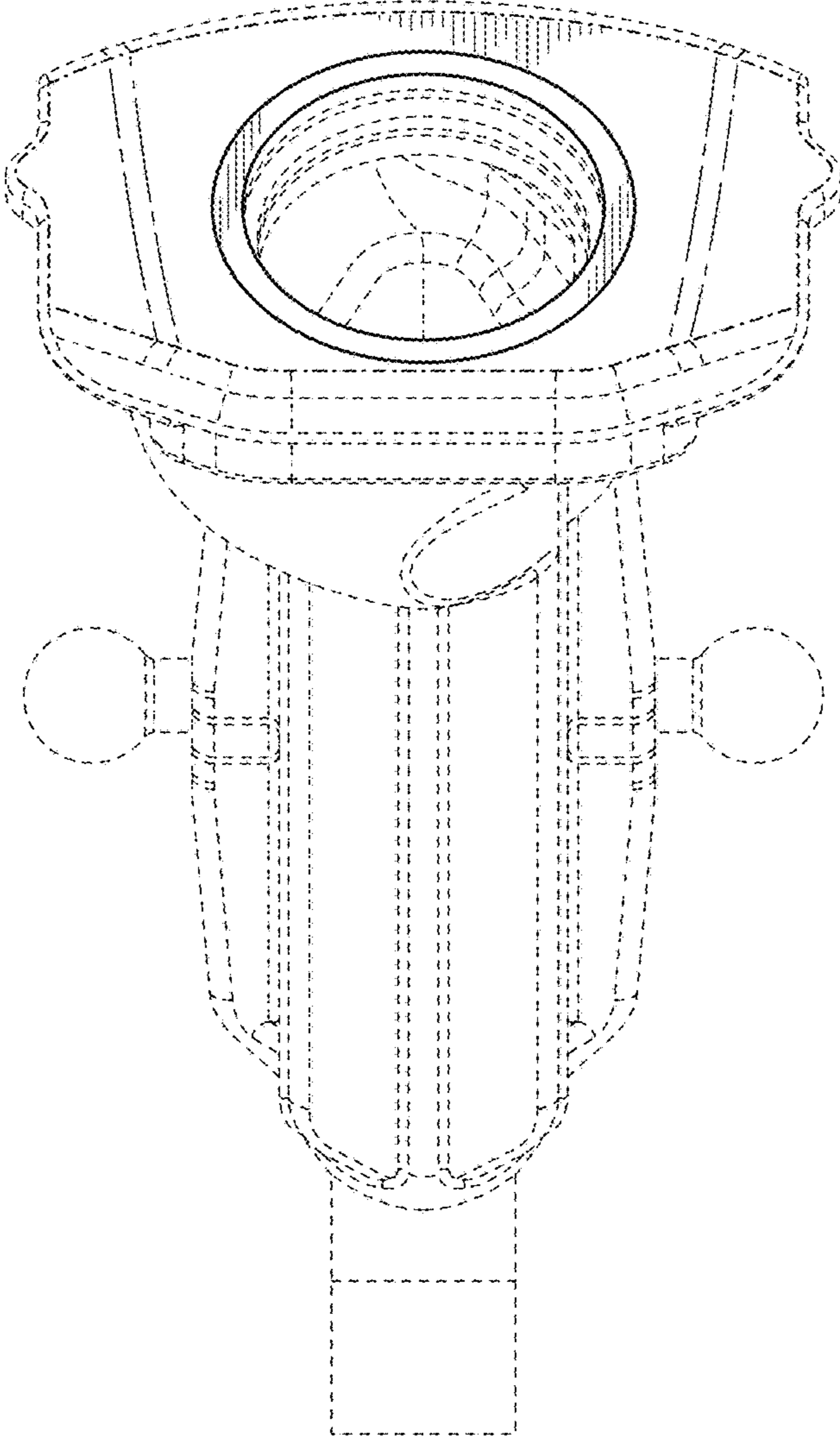


FIG. 2

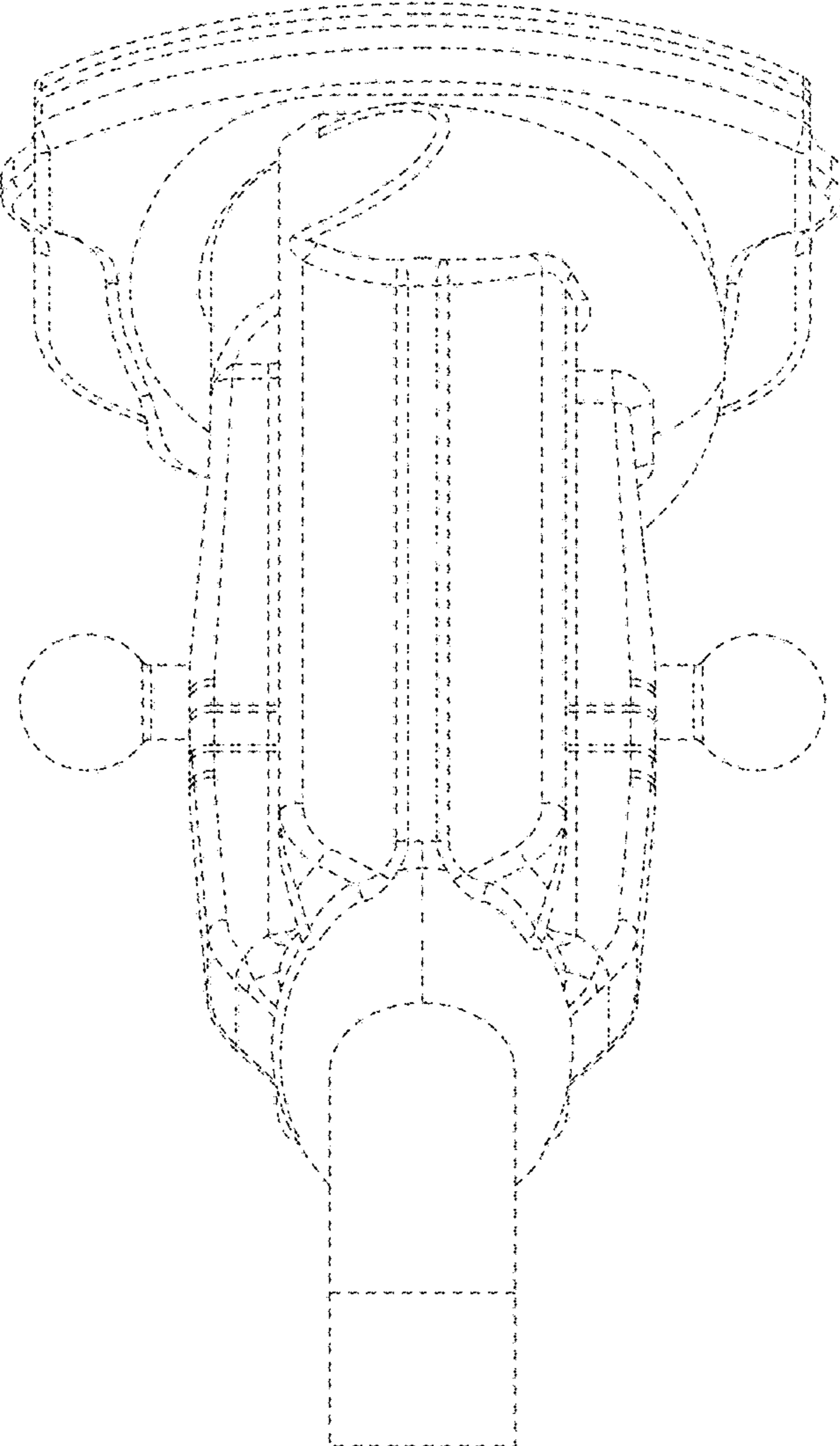


FIG. 3

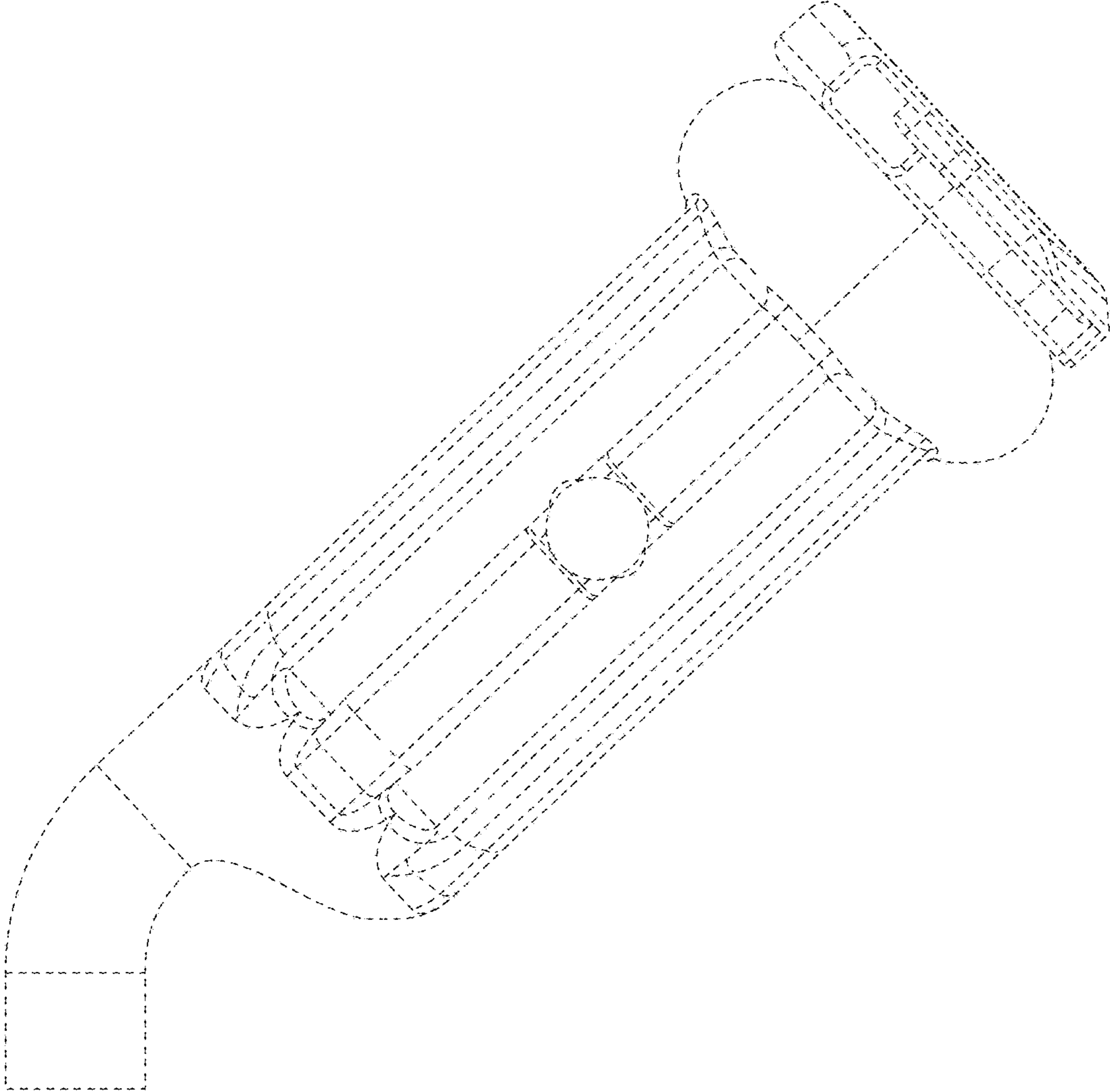


FIG. 4

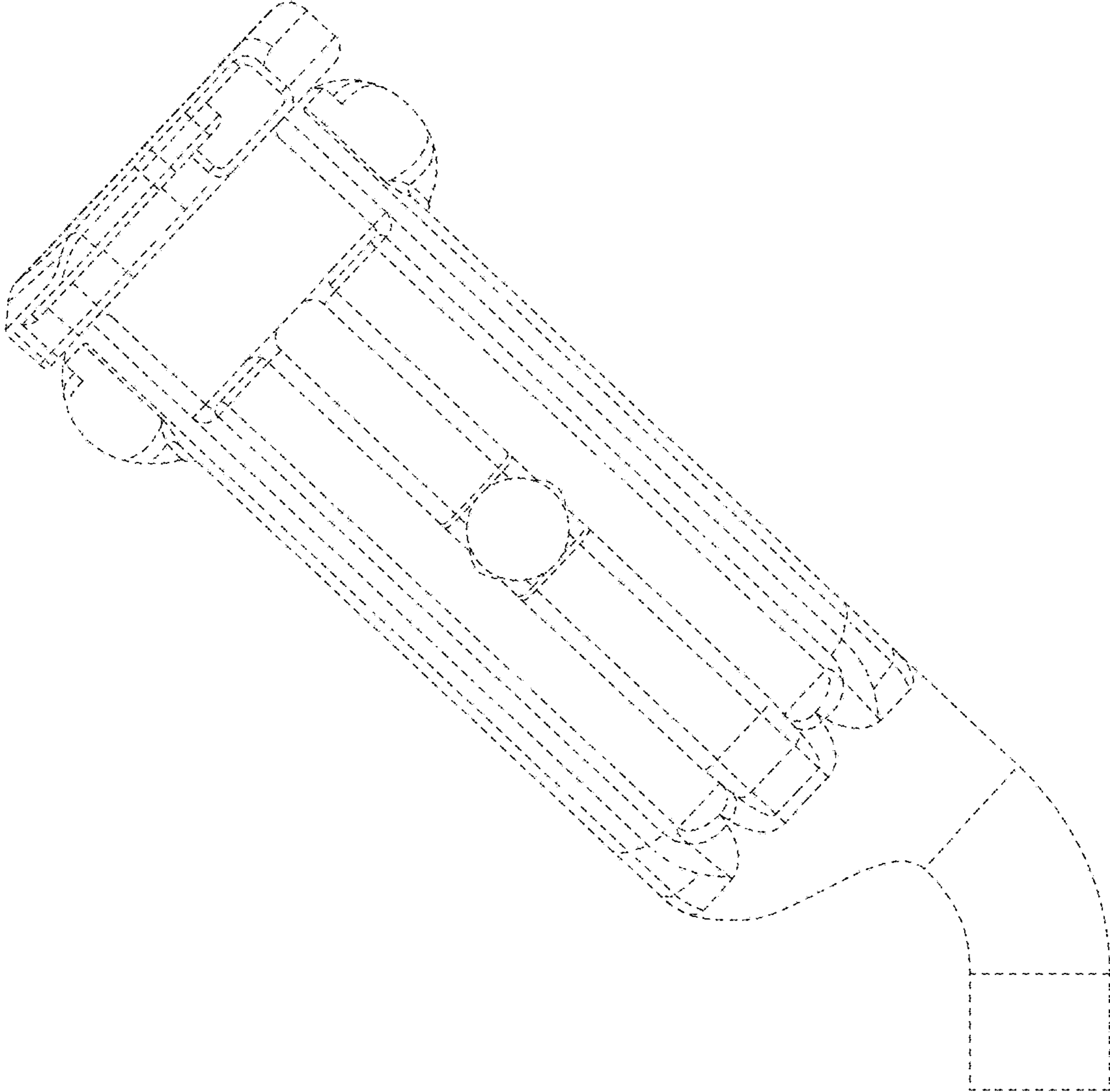


FIG. 5

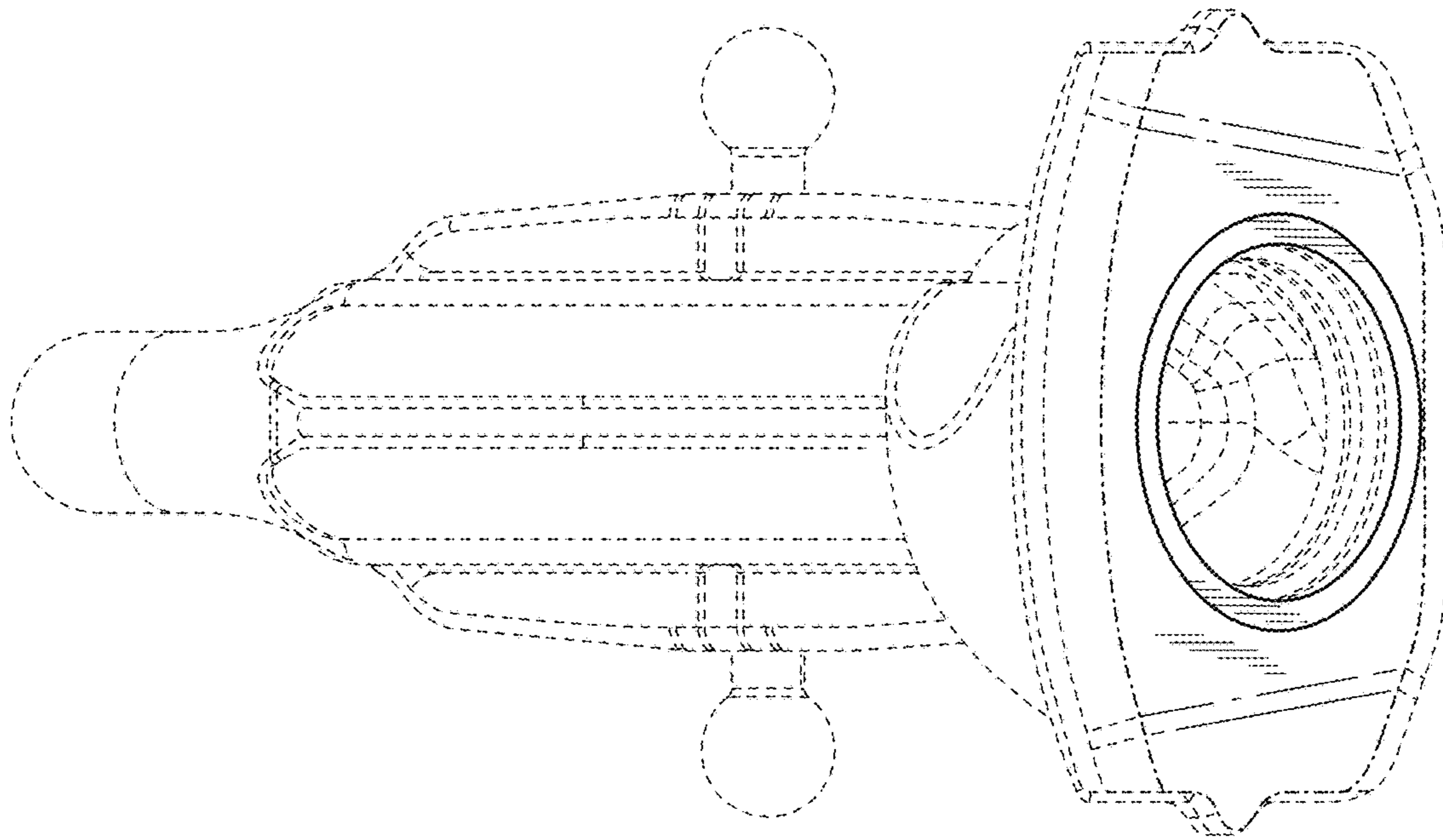


FIG. 6

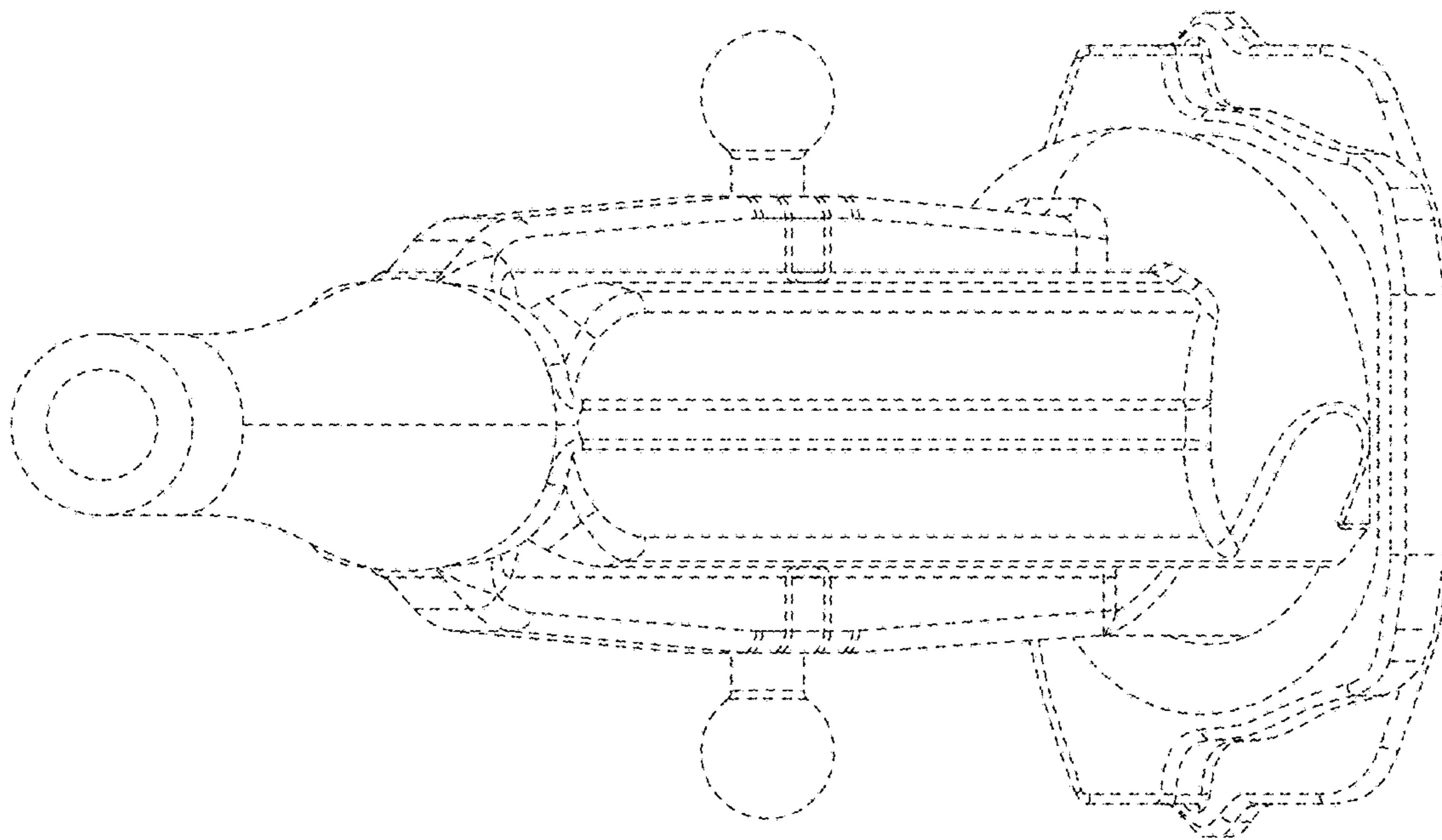


FIG. 7