

US00D834174S

(12) **United States Design Patent** (10) **Patent No.:** **US D834,174 S**  
**Fuselier** (45) **Date of Patent:** **\*\* Nov. 20, 2018**

(54) **FAN BLADE AND BRACKET SET**  
 (71) Applicant: **John Fuselier**, Eunice, LA (US)  
 (72) Inventor: **John Fuselier**, Eunice, LA (US)  
 (73) Assignee: **John Fuselier**, Eunice, LA (US)  
 (\*\*) Term: **15 Years**

D478,655 S \* 8/2003 Gajewski ..... D23/413  
 D489,447 S \* 5/2004 Young ..... D23/413  
 D503,472 S \* 3/2005 Tai ..... D23/413  
 D503,474 S \* 3/2005 Tai ..... D23/413  
 D509,295 S \* 9/2005 Stauffer ..... D23/413  
 D726,299 S \* 4/2015 Schulzman ..... D23/413  
 D750,221 S \* 2/2016 Schulzman ..... D23/413  
 9,638,209 B1 \* 5/2017 Cogley ..... F04D 29/388  
 D796,659 S \* 9/2017 Schulzman ..... D23/377  
 2012/0087796 A1 \* 4/2012 McMahon ..... F04D 25/088  
 416/210 R

(21) Appl. No.: **29/583,767**  
 (22) Filed: **Nov. 8, 2016**  
 (51) **LOC (11) Cl.** ..... **23-04**  
 (52) **U.S. Cl.**  
 USPC ..... **D23/413; D23/377**  
 (58) **Field of Classification Search**  
 USPC ..... D23/370, 377, 379, 385, 411, 413;  
 D26/59  
 CPC ..... F04D 25/08; F04D 29/388; F04D 29/34;  
 F04D 25/088  
 See application file for complete search history.

\* cited by examiner

*Primary Examiner* — Janice Hallmark

(57) **CLAIM**

The ornamental design for a fan blade and bracket set, as shown and described.

**DESCRIPTION**

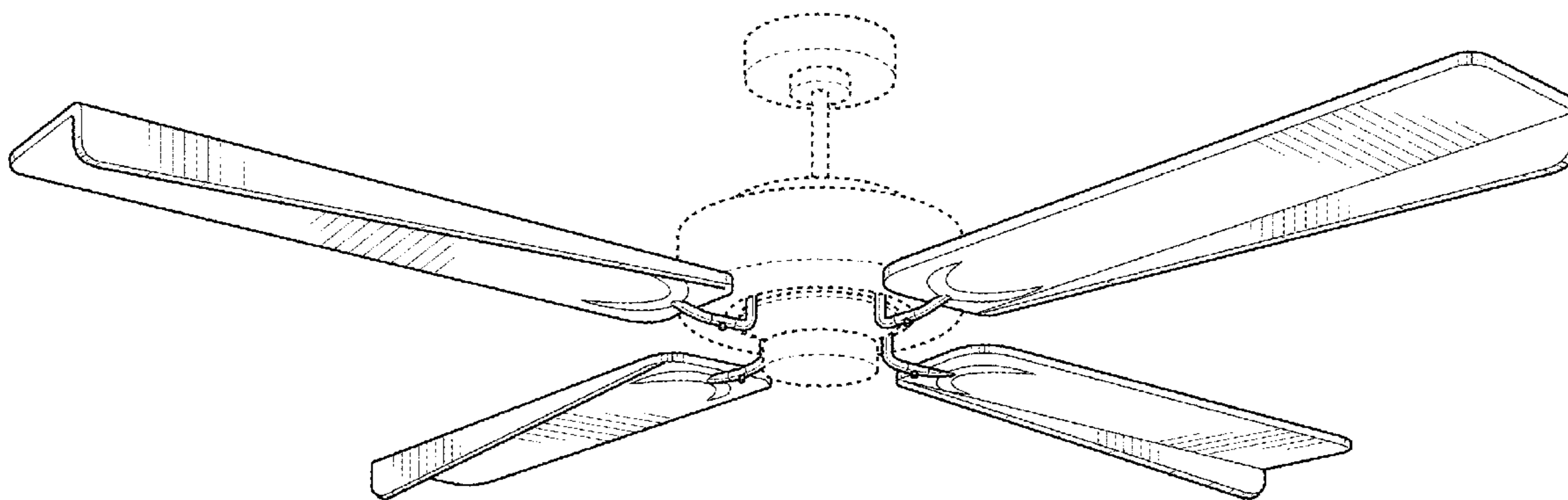
FIG. 1 is a perspective view of the fan blade and bracket set showing my new design;  
 FIG. 2 is a front elevation view thereof;  
 FIG. 3 is a rear elevation view thereof;  
 FIG. 4 is a bottom plan view thereof; and,  
 FIG. 5 is a top plan view thereof.  
 Broken lines depict environmental subject matter only and form no part of the claimed design.

(56) **References Cited**

U.S. PATENT DOCUMENTS

D463,543 S \* 9/2002 Lantz ..... D23/413  
 D477,072 S \* 7/2003 Johnson ..... D23/413

**1 Claim, 4 Drawing Sheets**



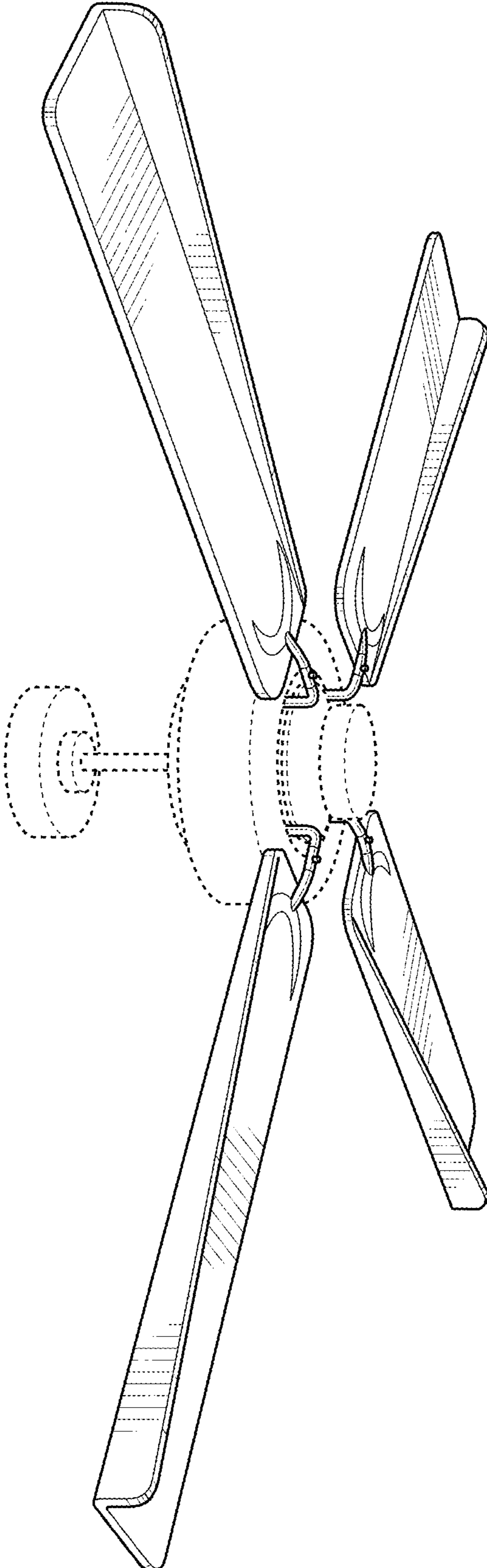


FIG. 1

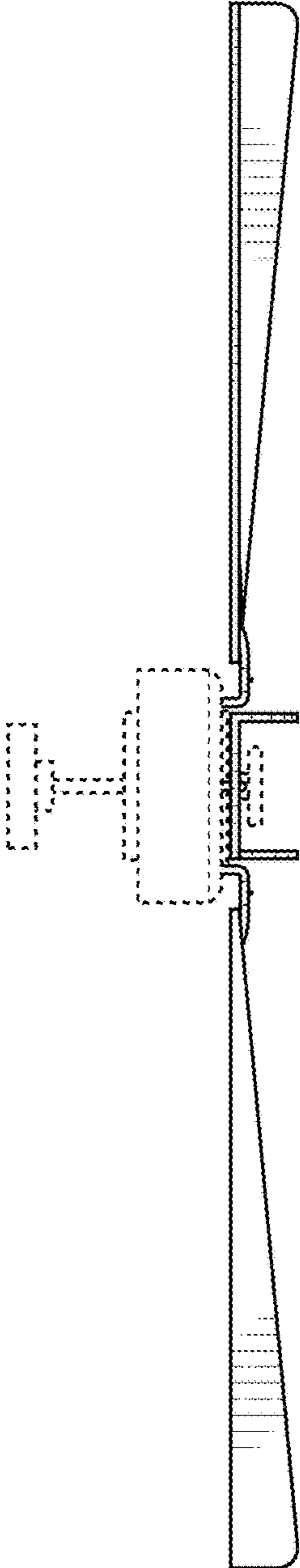


FIG. 2

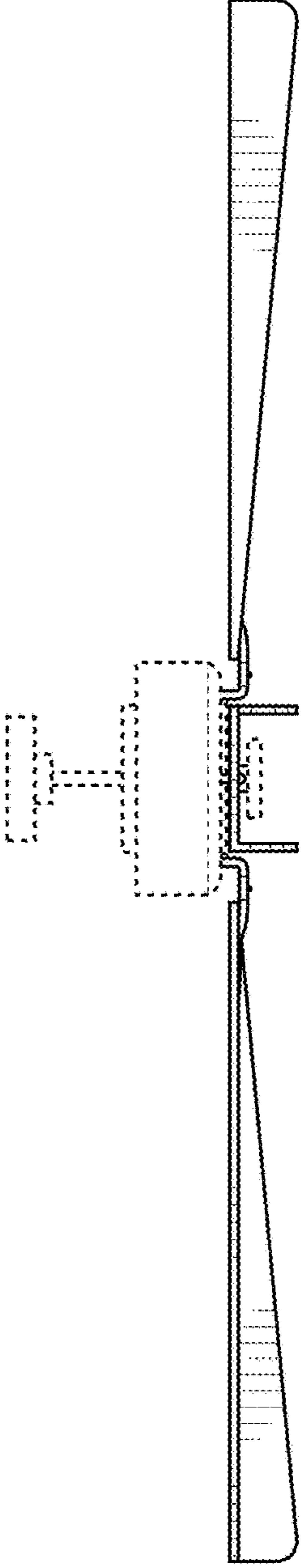


FIG. 3

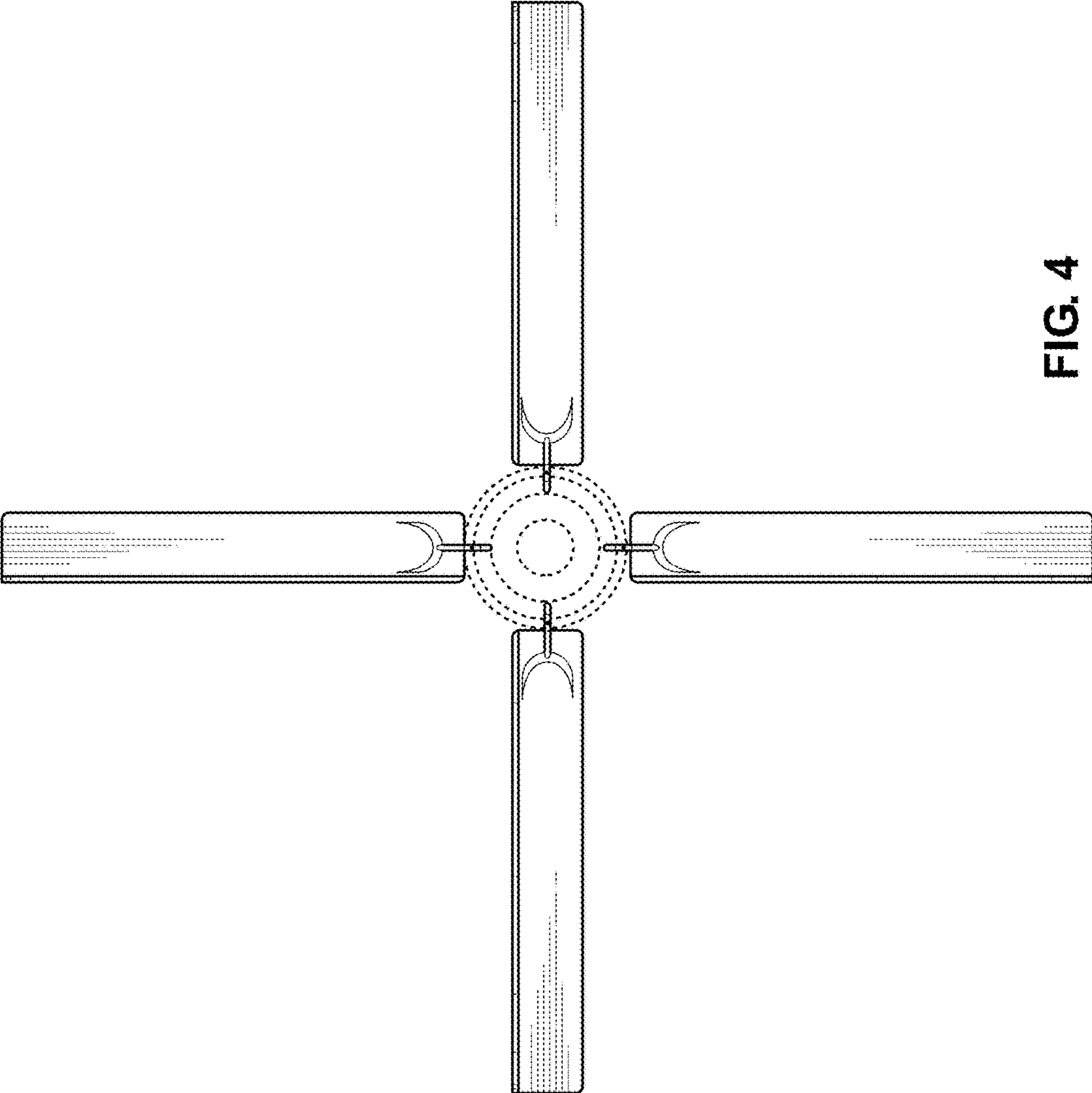


FIG. 4

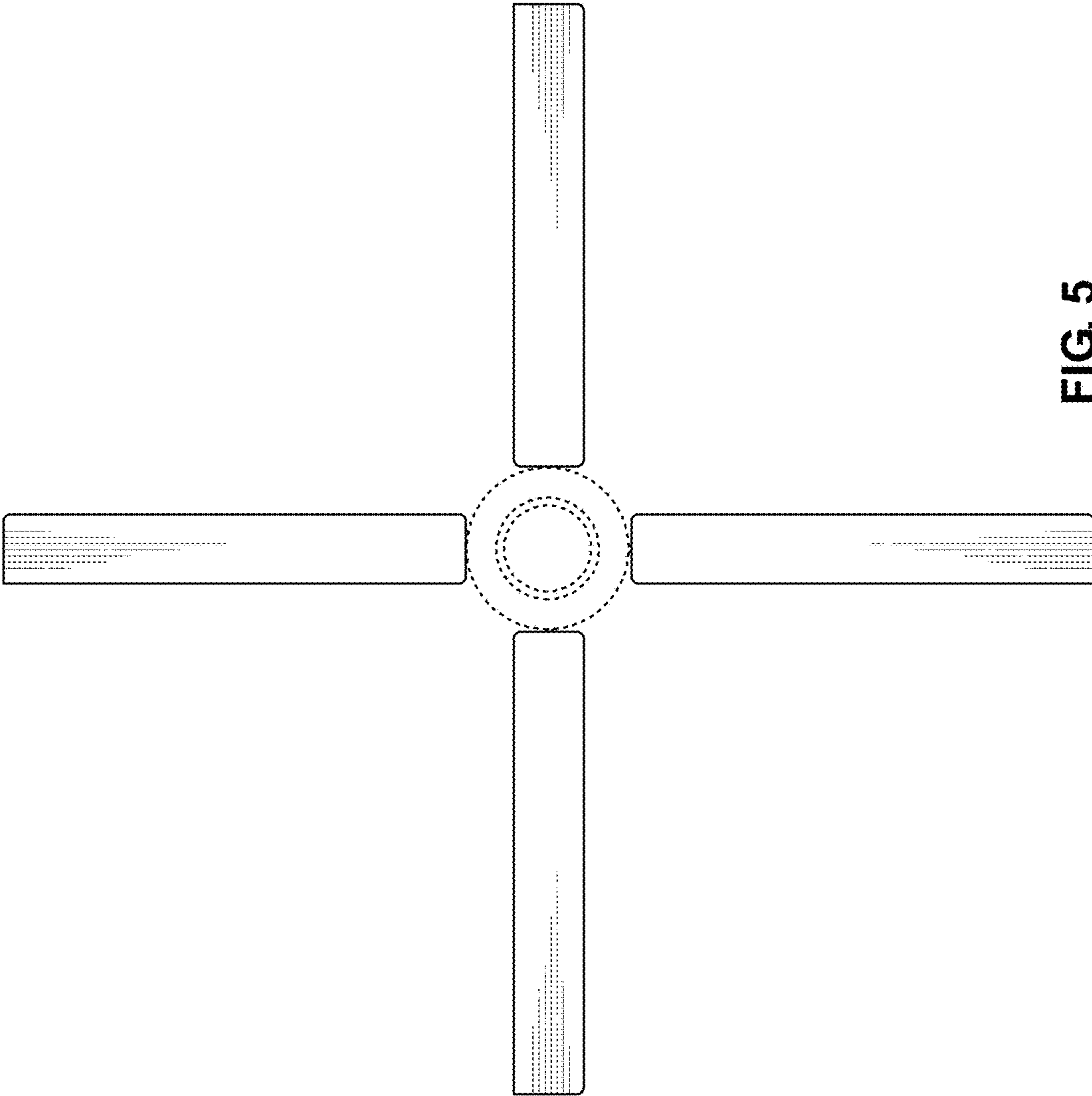


FIG. 5