



US00D834173S

(12) **United States Design Patent**
Holmes

(10) **Patent No.:** **US D834,173 S**

(45) **Date of Patent:** **** Nov. 20, 2018**

- (54) **CEILING FAN MOTOR HOUSING**
- (71) Applicant: **HUNTER FAN COMPANY**,
Memphis, TN (US)
- (72) Inventor: **Christine Holmes**, Memphis, TN (US)
- (73) Assignee: **Hunter Fan Company**, Memphis, TN
(US)
- (**) Term: **15 Years**
- (21) Appl. No.: **29/621,473**
- (22) Filed: **Oct. 9, 2017**

- D358,877 S 5/1995 Tsuji
 - D358,878 S 5/1995 Tsuji
 - D362,907 S 10/1995 DiPasquale
 - D363,345 S 10/1995 Wang
 - D369,405 S 4/1996 Holbrook
 - D374,925 S 10/1996 Jaspers-Fayer
- (Continued)

Related U.S. Application Data

- (62) Division of application No. 29/557,011, filed on Mar. 4, 2016, now Pat. No. Des. 804,632.
- (51) **LOC (11) Cl.** **23-03**
- (52) **U.S. Cl.**
USPC **D23/411**
- (58) **Field of Classification Search**
USPC D23/335-337, 355, 370-385, 411-414;
D26/59, 67, 72, 80-89, 92, 104-105, 110,
D26/113, 118-119, 128-137
CPC F04D 25/088; F21V 33/0096; F21V 21/03;
F21V 17/002; F21V 23/007; F21V 23/04;
F21V 23/0485; F21V 15/01; F21V
19/006; F21V 19/04; F21V 21/02; F21V
23/002; F21V 23/005; F21V 33/0052;
F21V 7/22
See application file for complete search history.

(56) **References Cited**

U.S. PATENT DOCUMENTS

- D61,015 S * 5/1922 Gillinder D26/134
- 4,640,668 A 2/1987 Yang
- D328,947 S 8/1992 Holbrook
- D329,494 S 9/1992 Holbrook
- D349,337 S 8/1994 Tsuji
- D354,804 S 1/1995 Tsuji
- D355,028 S 1/1995 Tsuji

OTHER PUBLICATIONS

Hunter Outdoor Ceiling Fan White 54091 Matheston 52" with Light, date first available Mar. 7, 2012, Copyright© 1996-2018, <https://www.amazon.com/Hunter-Outdoor-54091-Matheston-Included/dp/B007154AJ2/ref=sr_1_2_sspa?ie=UTF8&qid=1523584593&sr=8-2-spons&keywords=hunter+ceiling+fan+matheston&psc=1>.*

(Continued)

Primary Examiner — Cathron C Brooks
Assistant Examiner — Sharon S Oum
(74) *Attorney, Agent, or Firm* — McGarry Bair PC

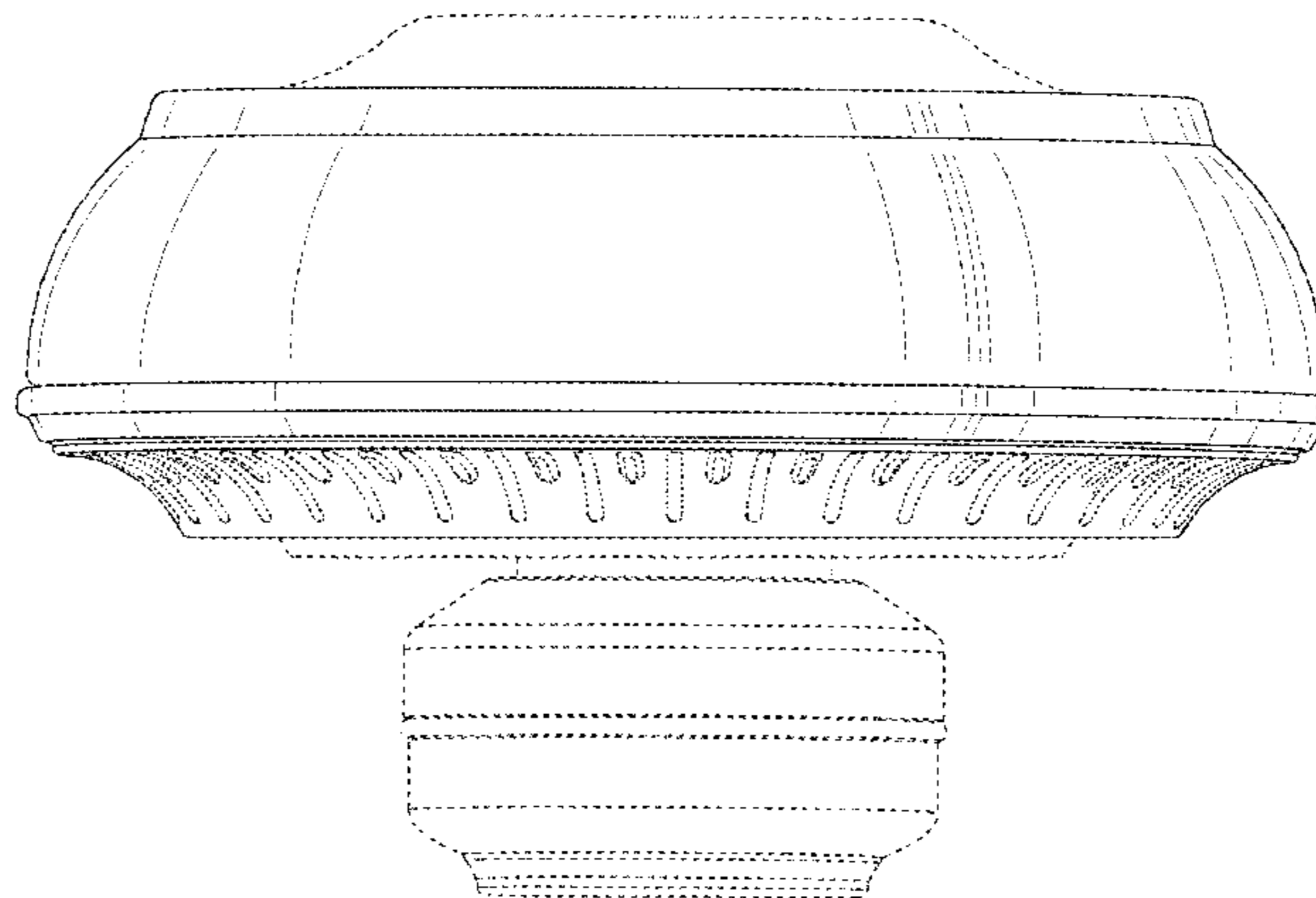
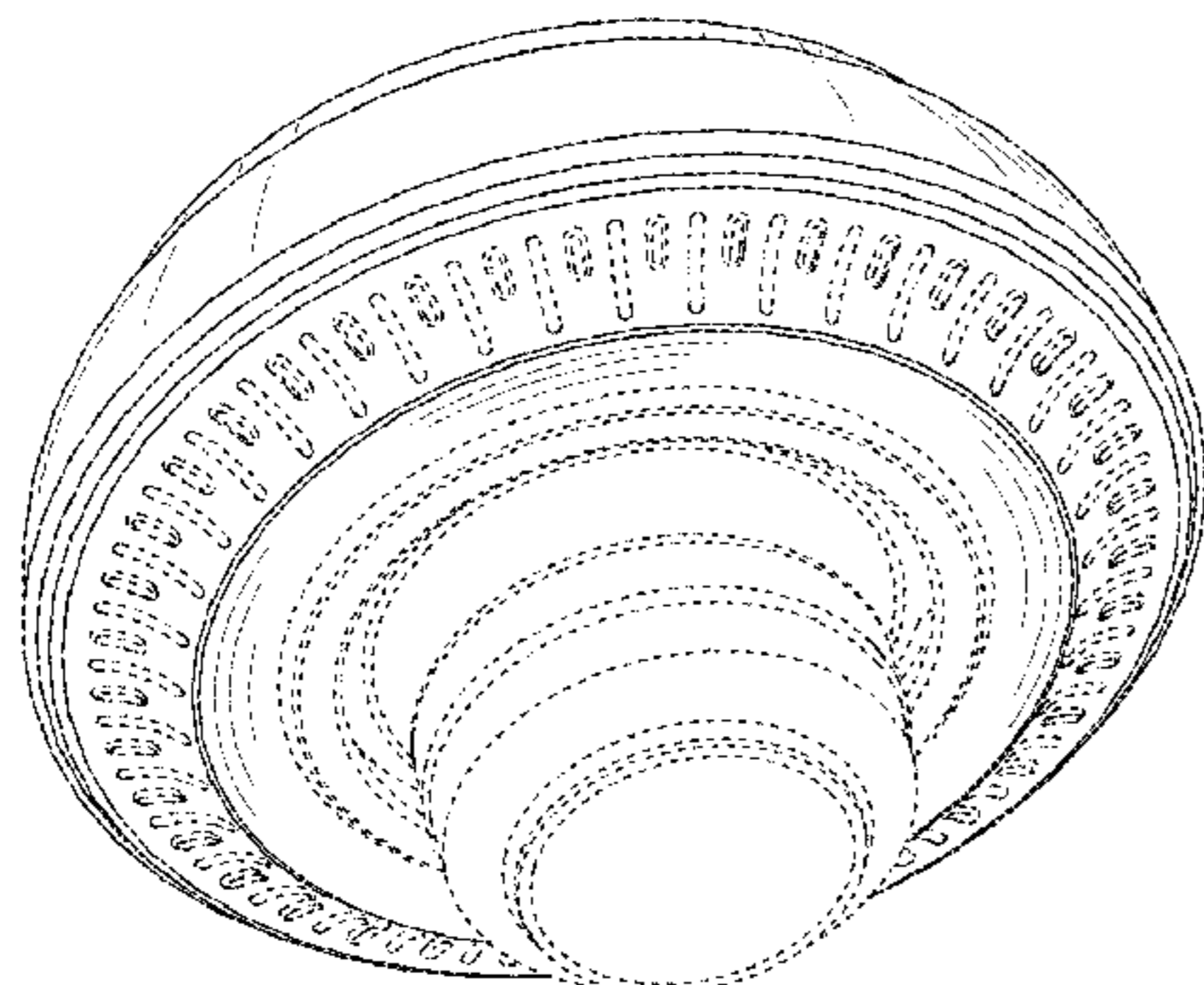
(57) **CLAIM**

The ornamental design for a ceiling fan motor housing, as shown and described.

DESCRIPTION

FIG. 1 is a top perspective view of a ceiling fan motor housing showing my new design, shown in the environment of a ceiling fan;
FIG. 2 is a bottom perspective view of the ceiling fan motor housing of FIG. 1, but shown without the ceiling fan environment;
FIG. 3 is a top view thereof;
FIG. 4 is a bottom view thereof; and,
FIG. 5 is a front side view thereof, with rear, right, and left side views being identical thereto.
The broken lines illustrate a ceiling fan, and portions of the ceiling fan motor housing. Shaded portions adjacent to the broken lines illustrate claimed portions that extend to the broken line. None of the broken lines form part of the claimed design.

1 Claim, 5 Drawing Sheets



(56)

References Cited

U.S. PATENT DOCUMENTS

D397,419 S * 8/1998 Tsuji D23/385
 D408,076 S 4/1999 Zuege
 D408,517 S 4/1999 LaSpina
 5,899,663 A * 5/1999 Feder F04D 29/646
 416/5
 D422,352 S * 4/2000 Gee, II D23/377
 D425,191 S 5/2000 LaSpina
 D478,380 S 8/2003 Clymer
 D492,764 S * 7/2004 Campbell D23/411
 D517,189 S 3/2006 Hidalgo
 D521,623 S 5/2006 Hidalgo
 D521,628 S 5/2006 Hidalgo
 D541,406 S * 4/2007 Pickett D23/411
 D544,623 S * 6/2007 Pickett D26/59
 D573,243 S 7/2008 Pan
 D584,396 S 1/2009 Bucher et al.
 D598,091 S 8/2009 Orozco
 D626,211 S 10/2010 Wang
 D628,286 S 11/2010 Yang
 D671,202 S 11/2012 Searle
 D690,410 S * 9/2013 Passauer, III D23/411
 D702,337 S * 4/2014 Wang D23/385
 D707,807 S 6/2014 Pan
 D778,421 S 2/2017 Hidalgo
 D804,632 S * 12/2017 Holmes D23/377
 D808,511 S * 1/2018 Hidalgo D23/377
 D810,912 S * 2/2018 McRoberts D23/377
 2015/0240824 A1 * 8/2015 Jones F04D 25/0693
 417/423.15
 2016/0047391 A1 * 2/2016 McPherson F04D 25/0693
 417/423.7
 2016/0111816 A1 * 4/2016 Walker F04D 25/0693
 417/423.7
 2017/0234319 A1 * 8/2017 Seccareccia F04D 25/088
 415/203

OTHER PUBLICATIONS

<http://www.kichler.com/products/product/60-ashbryn-ceiling-fan-mwh-300269mwh.aspx>, Item Specification for the Kichler Ashbryn 60" Ashbryn Collection 60" Ashbryn Ceiling Fan MWH 300269MWH, accessed Mar. 4, 2016.
<http://www.hunterfan.com/Ceiling-Fans/Baybrook?ModelNumber=53275>, Item Specification for the Hunter Fan Baybrook—52" Ceiling Fan 53275 Onyx Bengal Finish 5 Alder / Dark Walnut Reversible blades included, accessed Mar. 4, 2016.
<http://www.hunterfan.com/Ceiling-Fans/Matheston?ModelNumber=54091>, Item Specification for the Hunter Fan Matheston 52" Ceiling Fan 54091 Cottage White Finish 5 Grey Pine blades included, accessed Mar. 4, 2016.
<http://www.minkagroup.net/products/f569-orb>, Item Specification for the MinkaAire Supra® 52" 5 Blades in Oil Rubbed Bronze Finish w/Medium Maple Blades Model # F569-ORB, accessed Mar. 4, 2016.
<http://www.kingoffans.com/#/products>, Item Specification for the King of Fans Minuet Model #41106, accessed Mar. 4, 2016.
<http://www.kingoffans.com/#/products>, Item Specification for the King of Fans Sibley Model #46796, accessed Mar. 4, 2016.
 Monte Carlo 5DM52RB Ceiling Fans Designer Max, date first available Jan. 27, 2014, amazon.com, site visited Aug. 16, 2017, Copyright© 1996-2017, Available from Internet, https://www.amazon.com/Monte-Carlo-5DM52RB-Ceiling-Designer/dp/BOOI2VZZXG/ref=sr_1_1?s=hi&ie=UTF8&qid=1502907904&sr=1-1&keywords=monte+carlo+designer+ma.

* cited by examiner

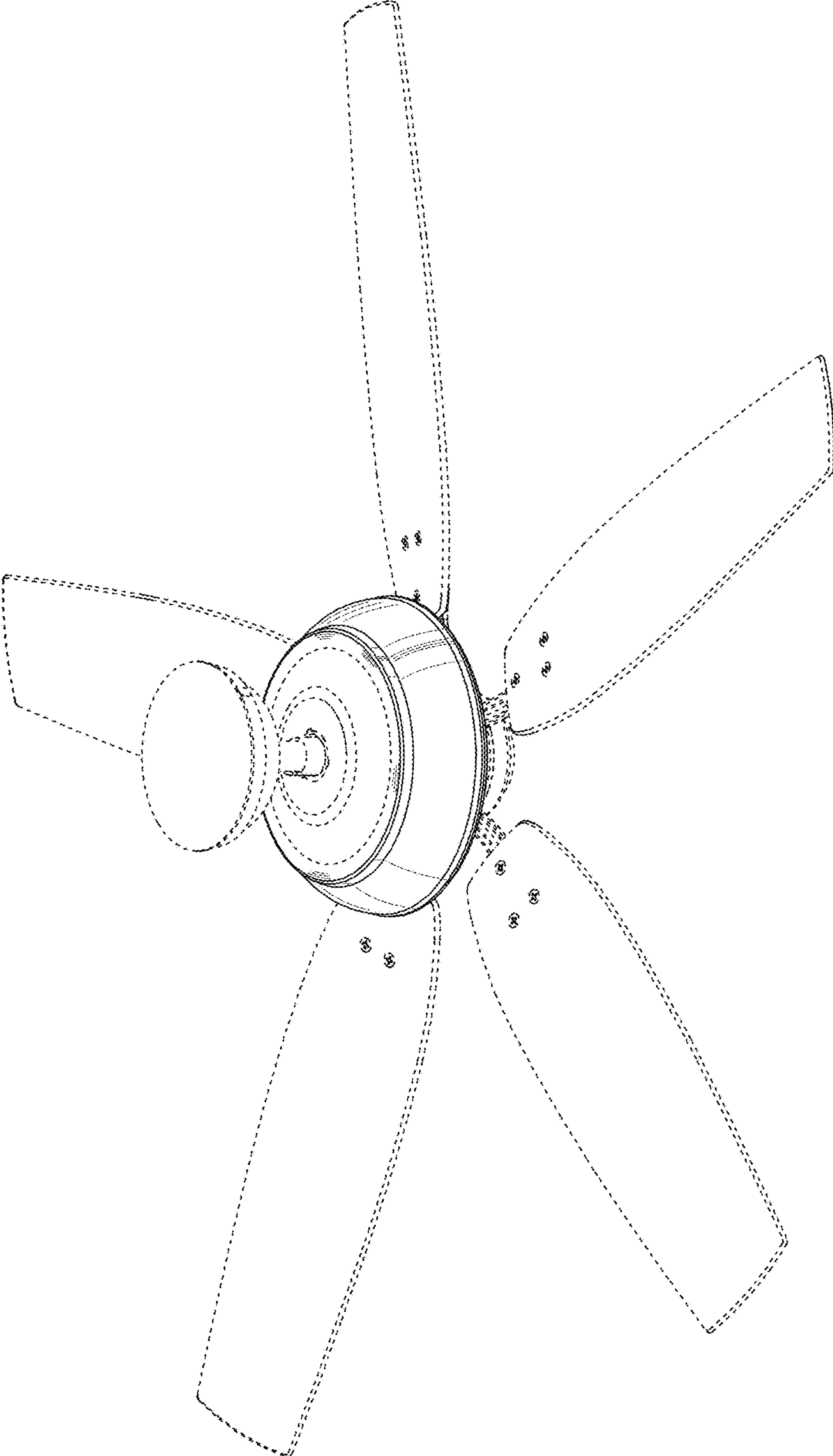


FIG. 1

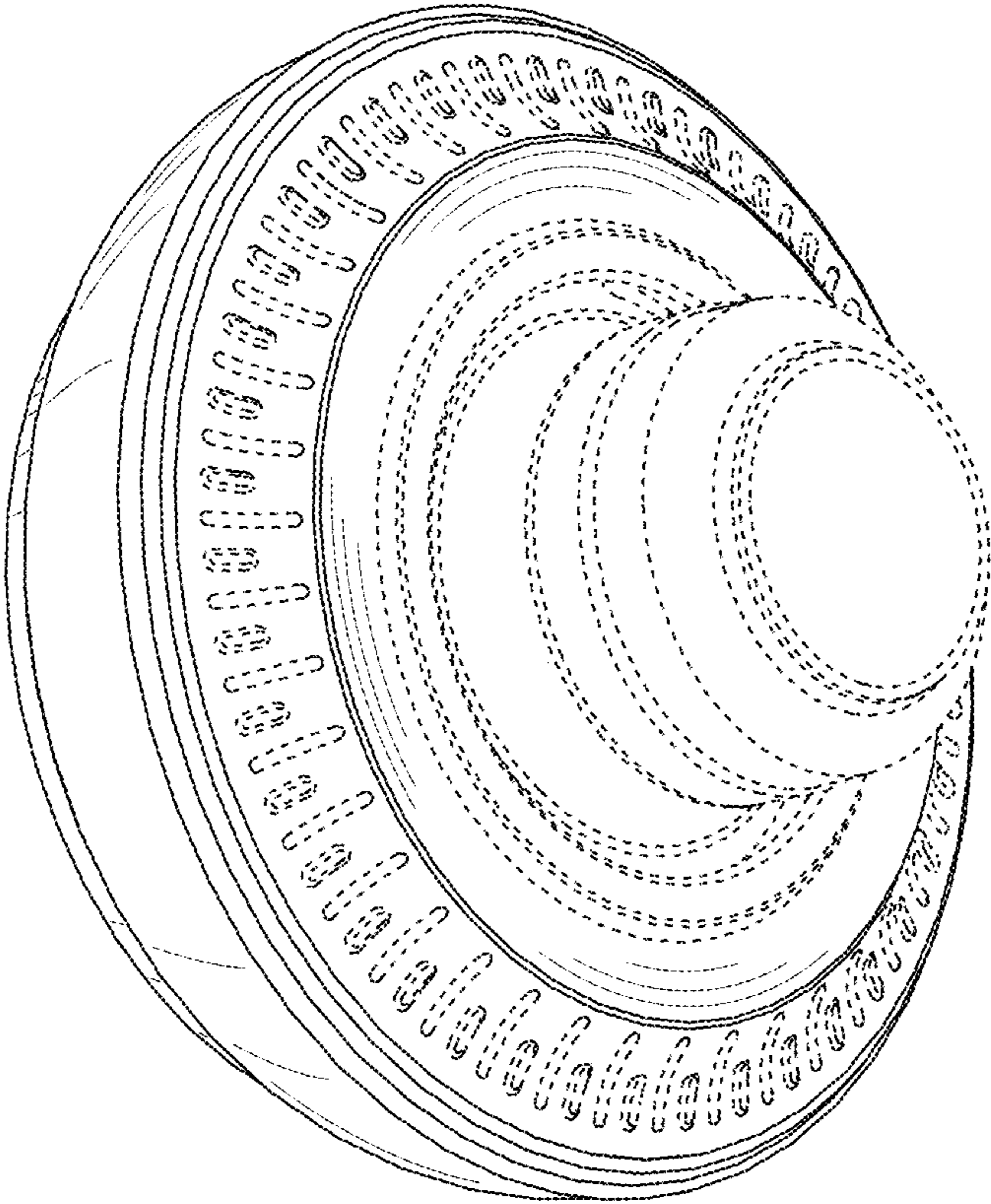


FIG. 2

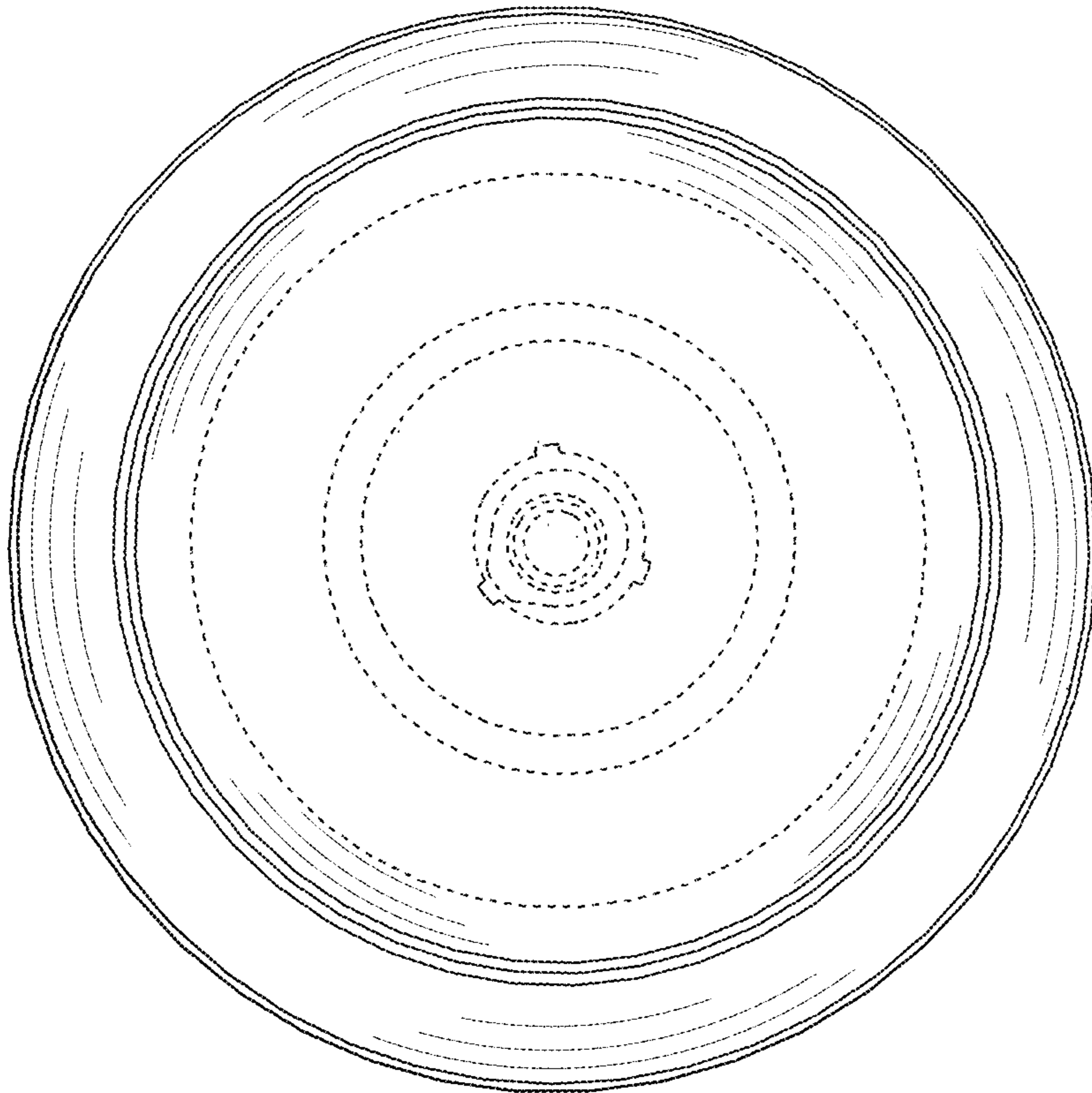


FIG. 3

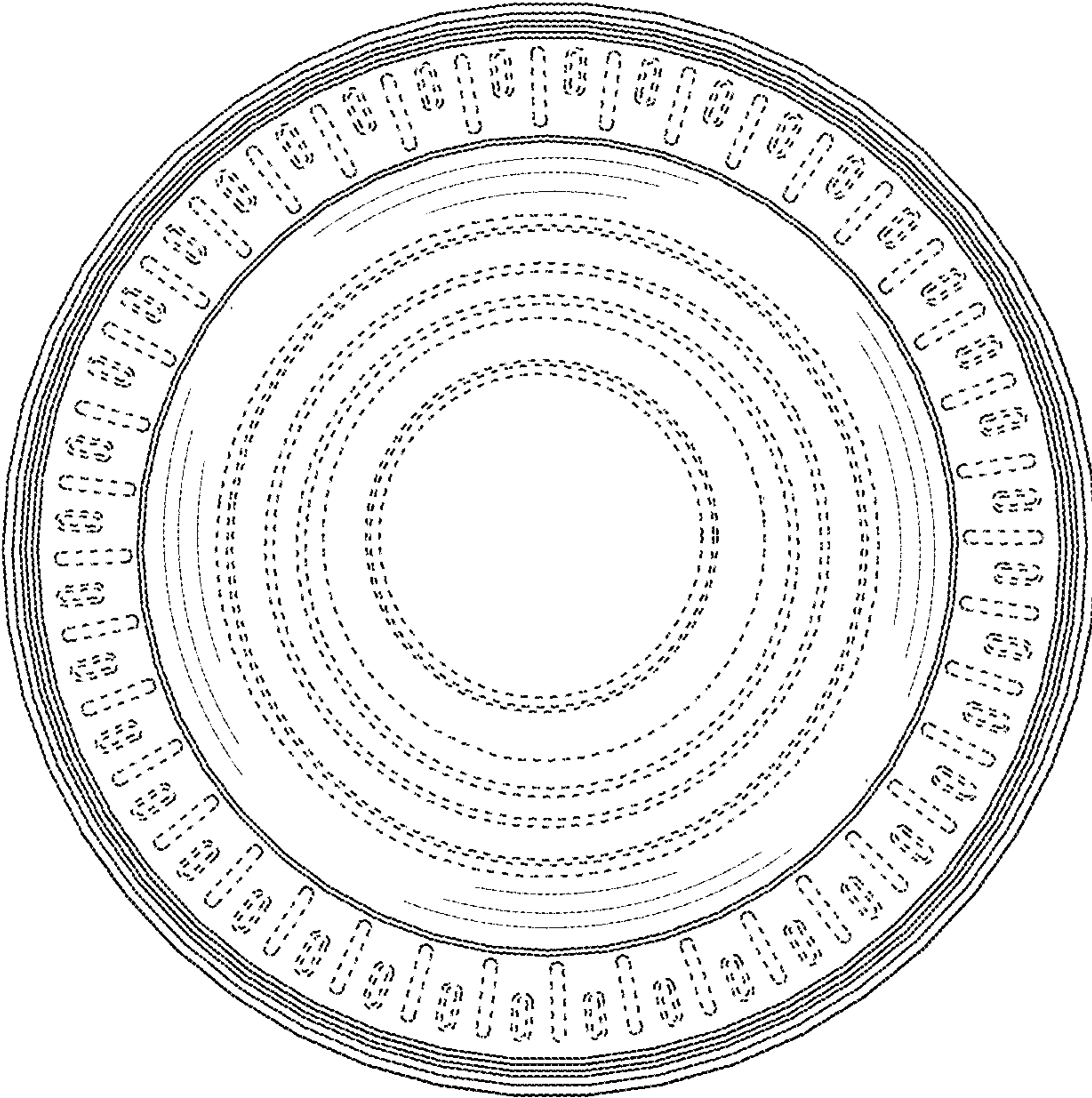


FIG. 4

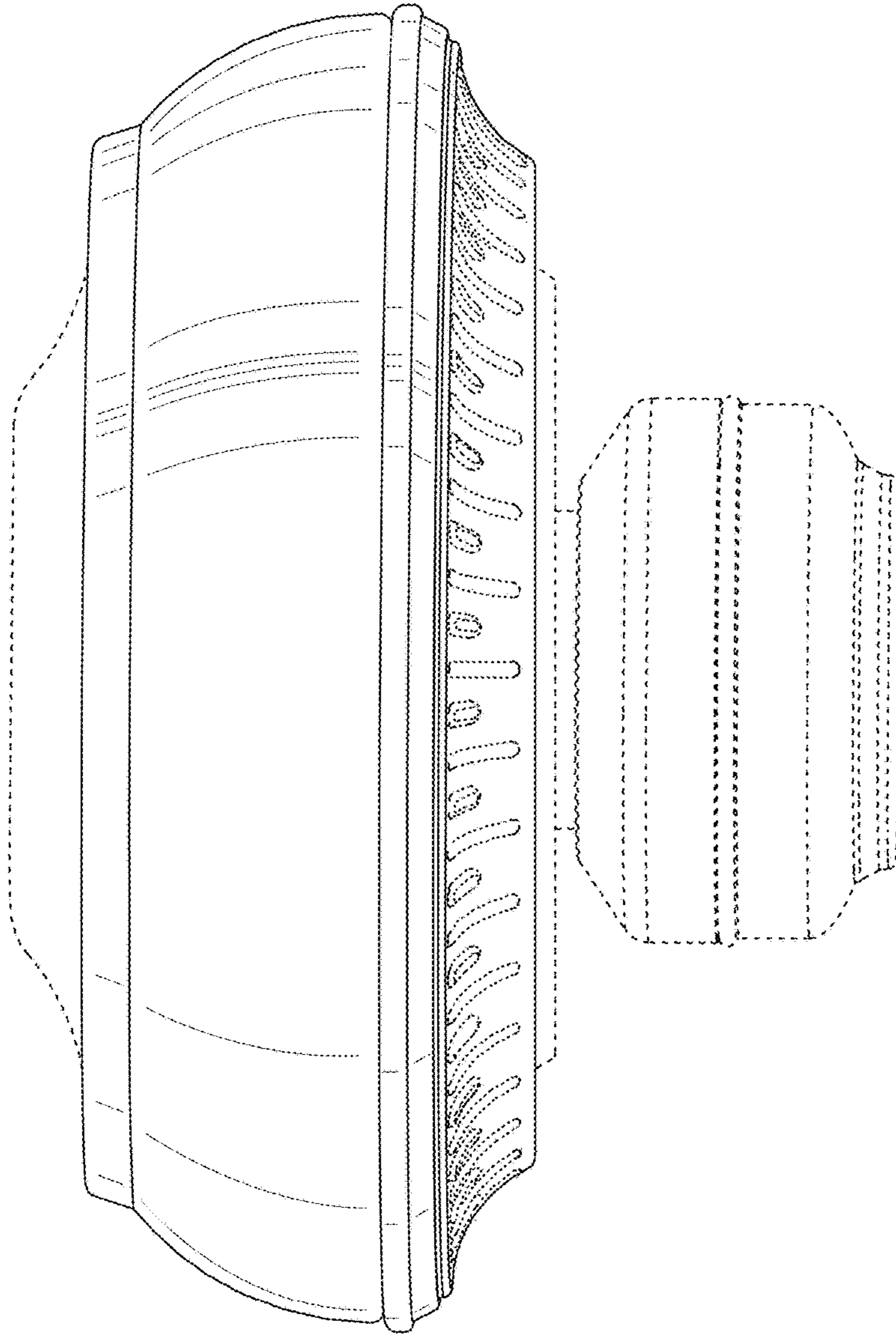


FIG. 5