



US00D834172S

(12) **United States Design Patent** (10) **Patent No.:** **US D834,172 S**
Guthrie (45) **Date of Patent:** **** Nov. 20, 2018**

(54) **CEILING FAN LIGHT KIT**
(71) Applicant: **HUNTER FAN COMPANY,**
Memphis, TN (US)
(72) Inventor: **Benjamin Scotti Guthrie,**
Germantown, TN (US)
(73) Assignee: **Hunter Fan Company,** Memphis, TN
(US)

D476,411 S 6/2003 Friedes
D510,622 S * 10/2005 Tai D23/411
D517,675 S 3/2006 Young
D521,625 S 5/2006 Young
D522,643 S 6/2006 Hidalgo
D525,696 S * 7/2006 Ertze D23/377
D528,645 S 9/2006 Young
D533,677 S * 12/2006 Broughton D26/87
D539,894 S 4/2007 Bucher

(Continued)

(**) Term: **15 Years**
(21) Appl. No.: **29/619,351**
(22) Filed: **Sep. 28, 2017**

Related U.S. Application Data

(62) Division of application No. 29/557,358, filed on Mar. 8, 2016, now Pat. No. Des. 804,638.
(51) **LOC (11) Cl.** **23-04**
(52) **U.S. Cl.**
USPC **D23/411; D26/59**
(58) **Field of Classification Search**
USPC D23/370, 377, 379, 385, 411; D26/59,
D26/129, 137, 134
CPC F04D 25/088; F21V 33/0096
See application file for complete search history.

(56) **References Cited**

U.S. PATENT DOCUMENTS

D64,846 S * 6/1924 Gillinder D26/129
D182,441 S * 4/1958 Rothman D26/87
D392,769 S * 3/1998 Dolan D26/134
6,036,331 A 3/2000 Acquisto
D428,982 S 8/2000 Oldenburg
D430,930 S * 9/2000 Zuege D23/377
D435,289 S 12/2000 Liu
D449,396 S 10/2001 Campbell
D464,722 S 10/2002 Sonneman
D476,406 S 6/2003 Friedes

OTHER PUBLICATIONS

<https://www.lowes.com/pd/Hunter-Allegheny-52-in-New-Bronze-Flush-Mount-Indoor-Outdoor-Ceiling-Fan-with-Light-Kit/3819969>, Hunter Allegheny 52-in. New Bronze Flush Mouny Indoor/Outdoor Ceiling Fan with Light Kit, accessed Apr. 6, 2018.

Primary Examiner — Janice Hallmark

(74) *Attorney, Agent, or Firm* — McGarry Bair PC

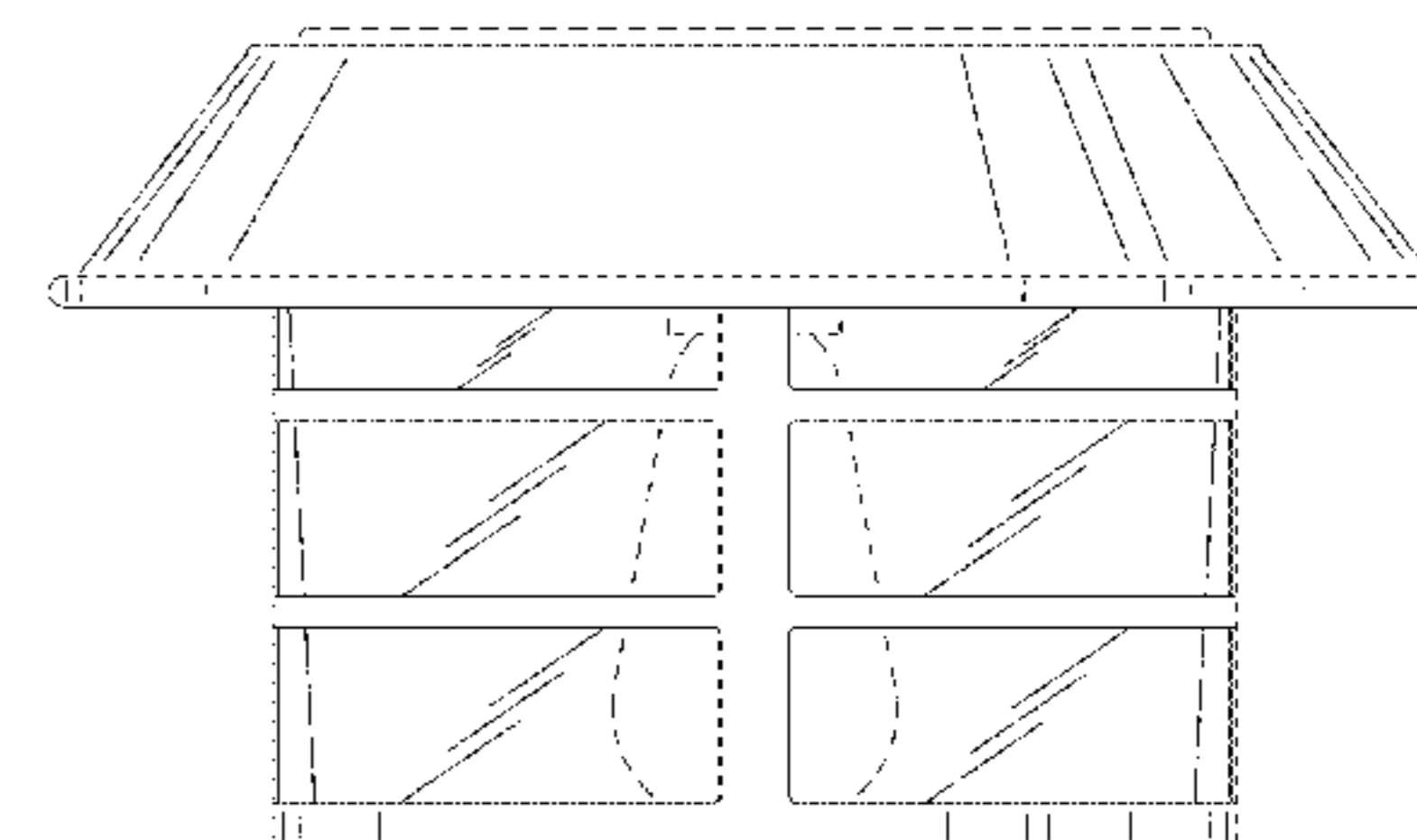
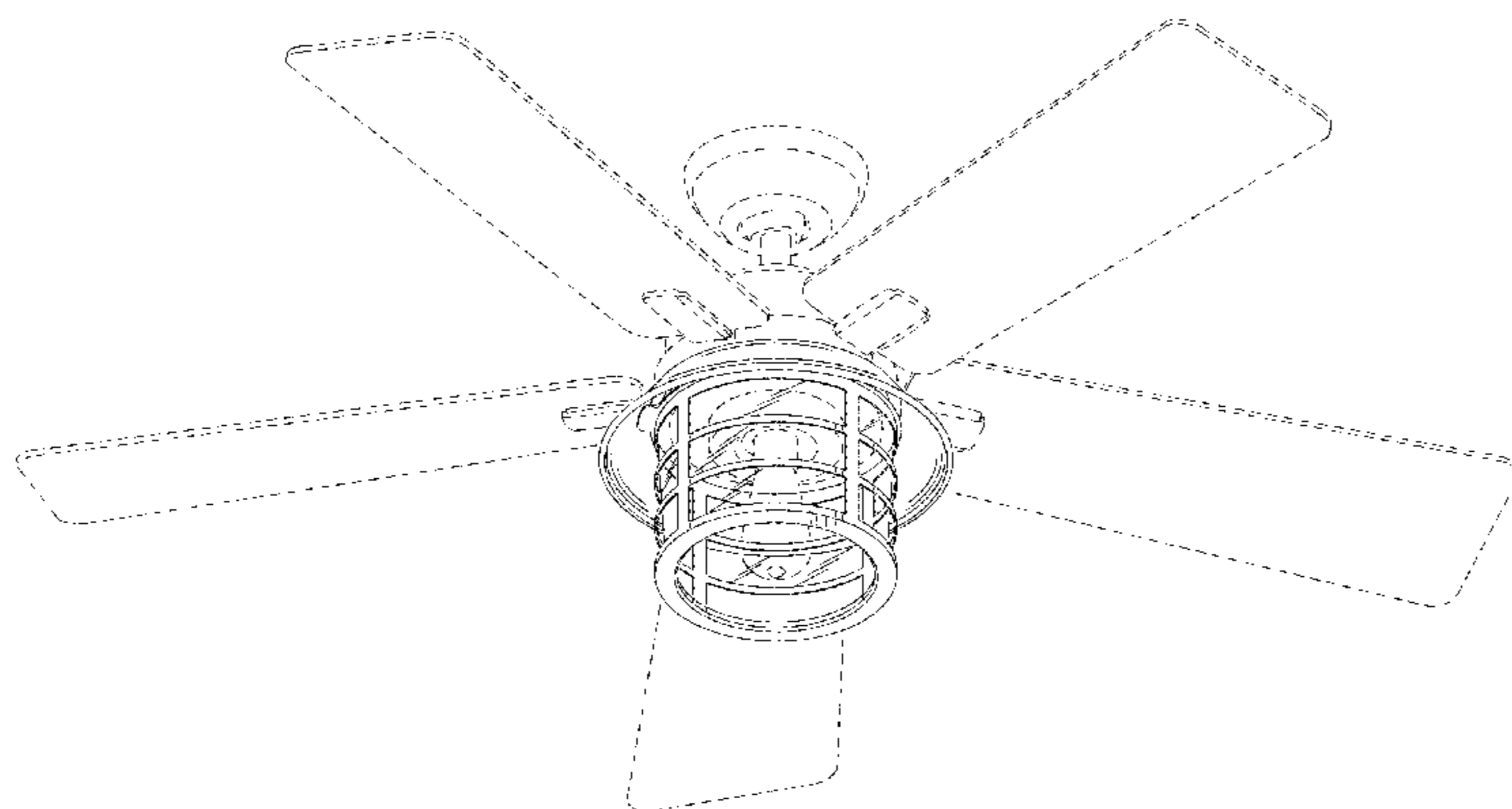
(57) **CLAIM**

The ornamental design for a ceiling fan light kit, as shown and described.

DESCRIPTION

FIG. 1 is a bottom perspective view of a ceiling fan light kit in the environment of a ceiling fan showing my new design; FIG. 2 is a top perspective view of the ceiling fan light kit of FIG. 1; FIG. 3 is a top view of the ceiling fan light kit of FIG. 1; FIG. 4 is a bottom view of the ceiling fan light kit of FIG. 1; and, FIG. 5 is a front side view of the ceiling fan light kit of FIG. 1, with rear, right, and left side views being identical thereto. The broken lines in the drawings illustrate environmental subject matter and portions of the ceiling fan light kit and form no part of the claimed design. Unshaded areas between broken lines and solid lines form no part of the claimed design.

1 Claim, 5 Drawing Sheets



(56)

References Cited

U.S. PATENT DOCUMENTS

D555,779 S	11/2007	Bucher	
D556,930 S *	12/2007	Ertze	D26/59
D710,489 S	8/2014	Shurtleff	
D710,490 S *	8/2014	Shurtleff	D23/411
D732,157 S	6/2015	Lin et al.	
D804,635 S *	12/2017	Holmes	D23/377
D804,638 S *	12/2017	Guthrie	D23/377
D805,173 S *	12/2017	Vajen Habig	D23/377
D805,182 S *	12/2017	Pickett	D23/411
D810,981 S *	2/2018	McRoberts	D26/59

* cited by examiner

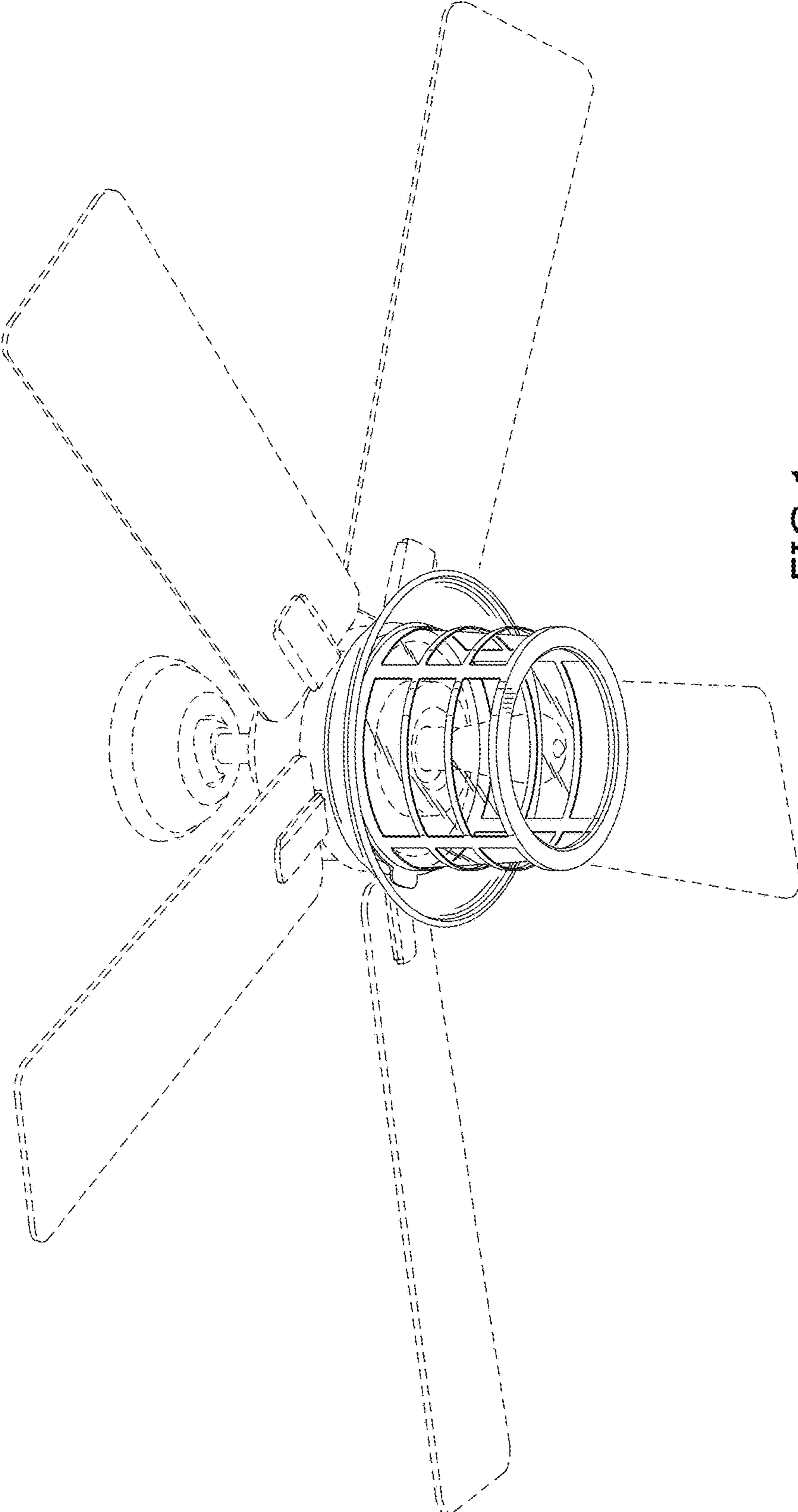


FIG.1

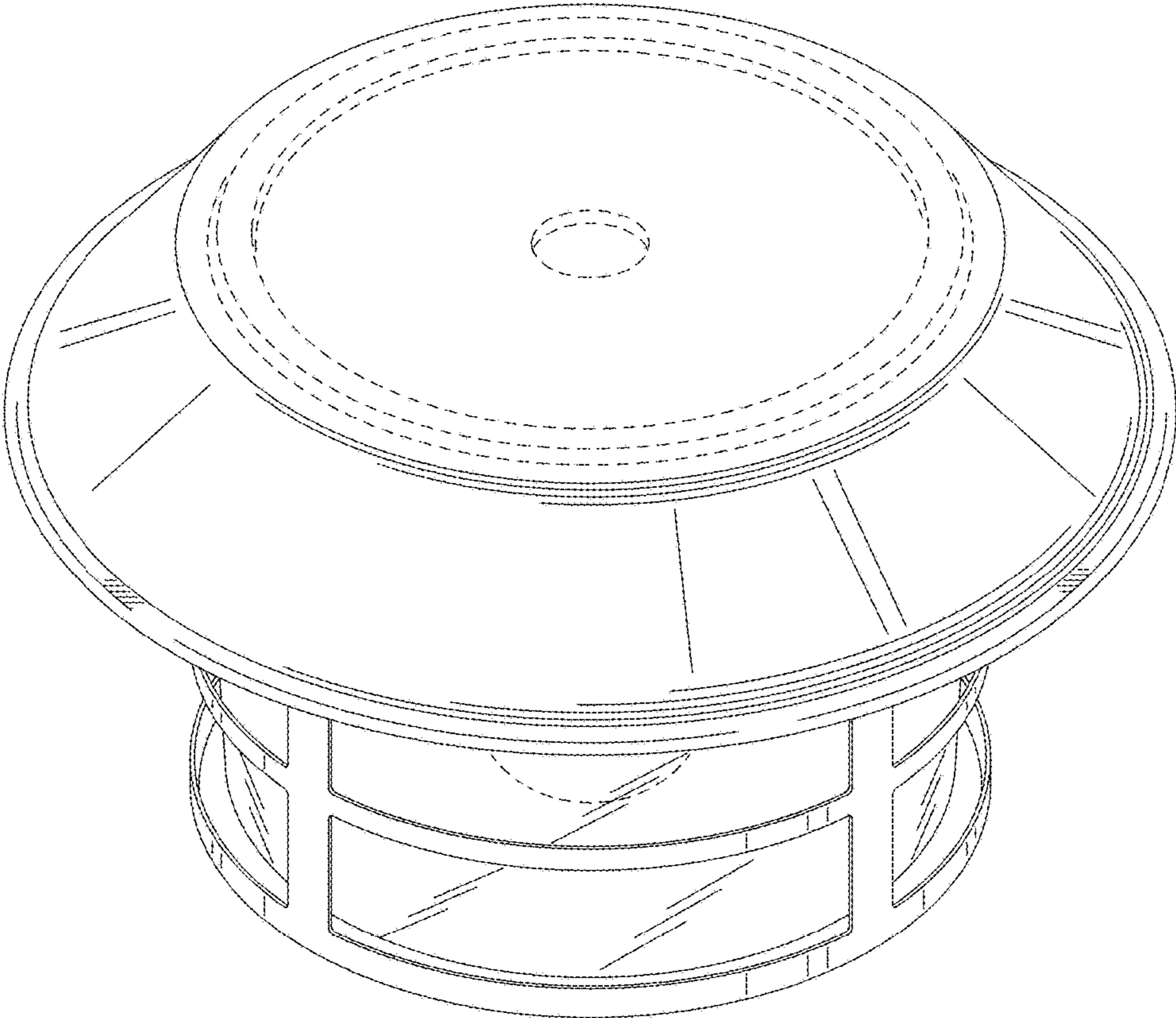


FIG.2

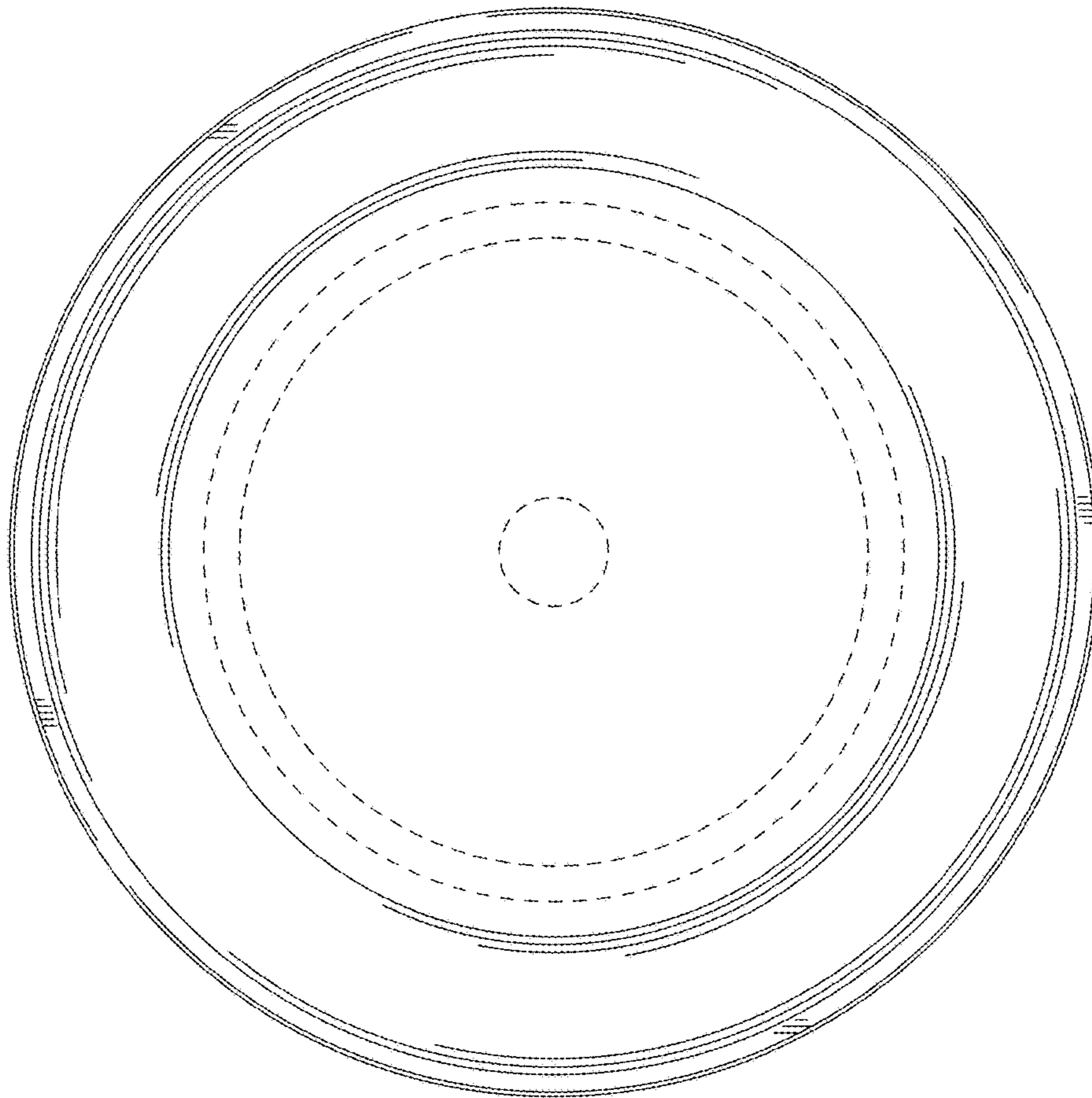


FIG. 3

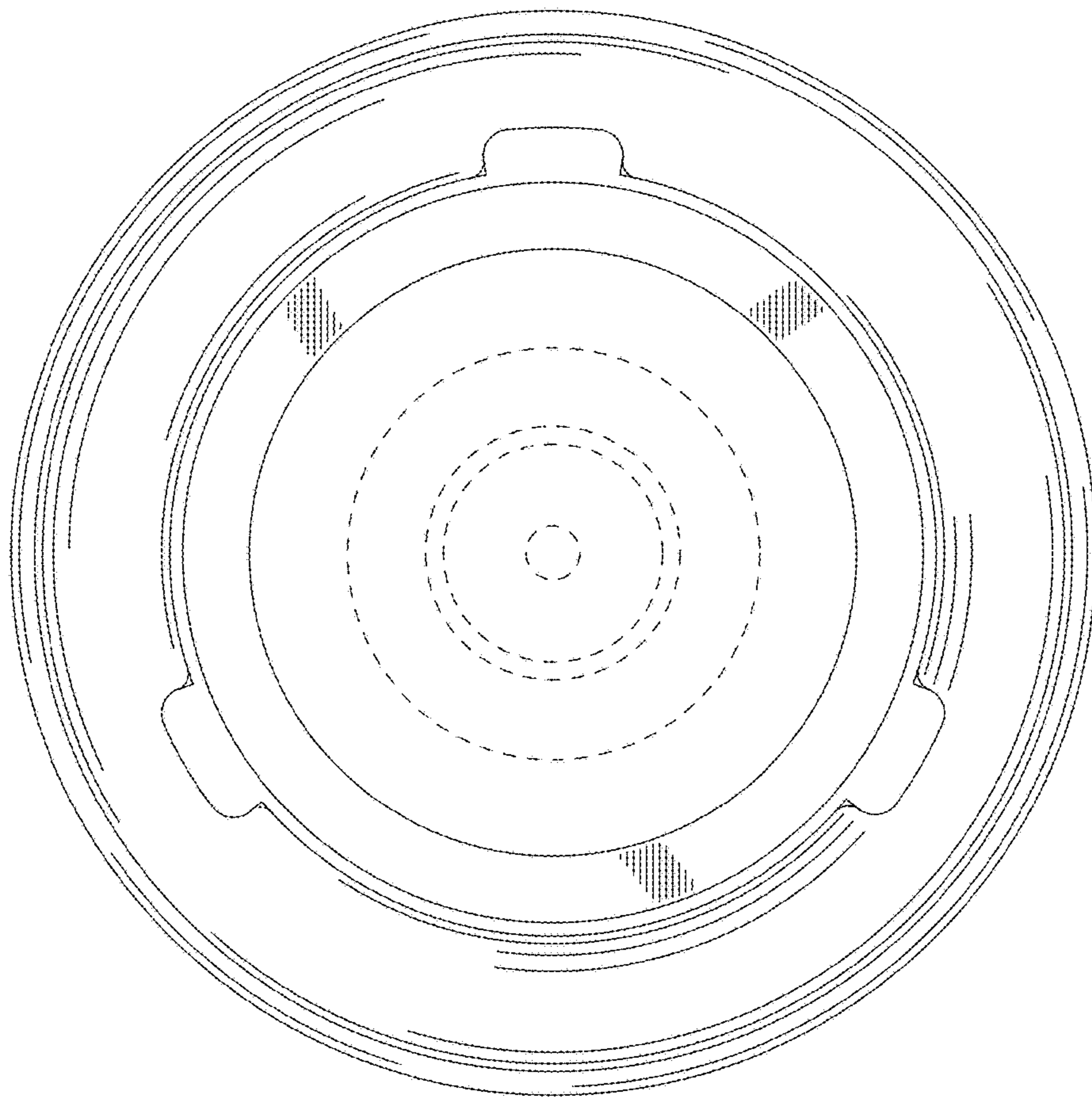


FIG.4

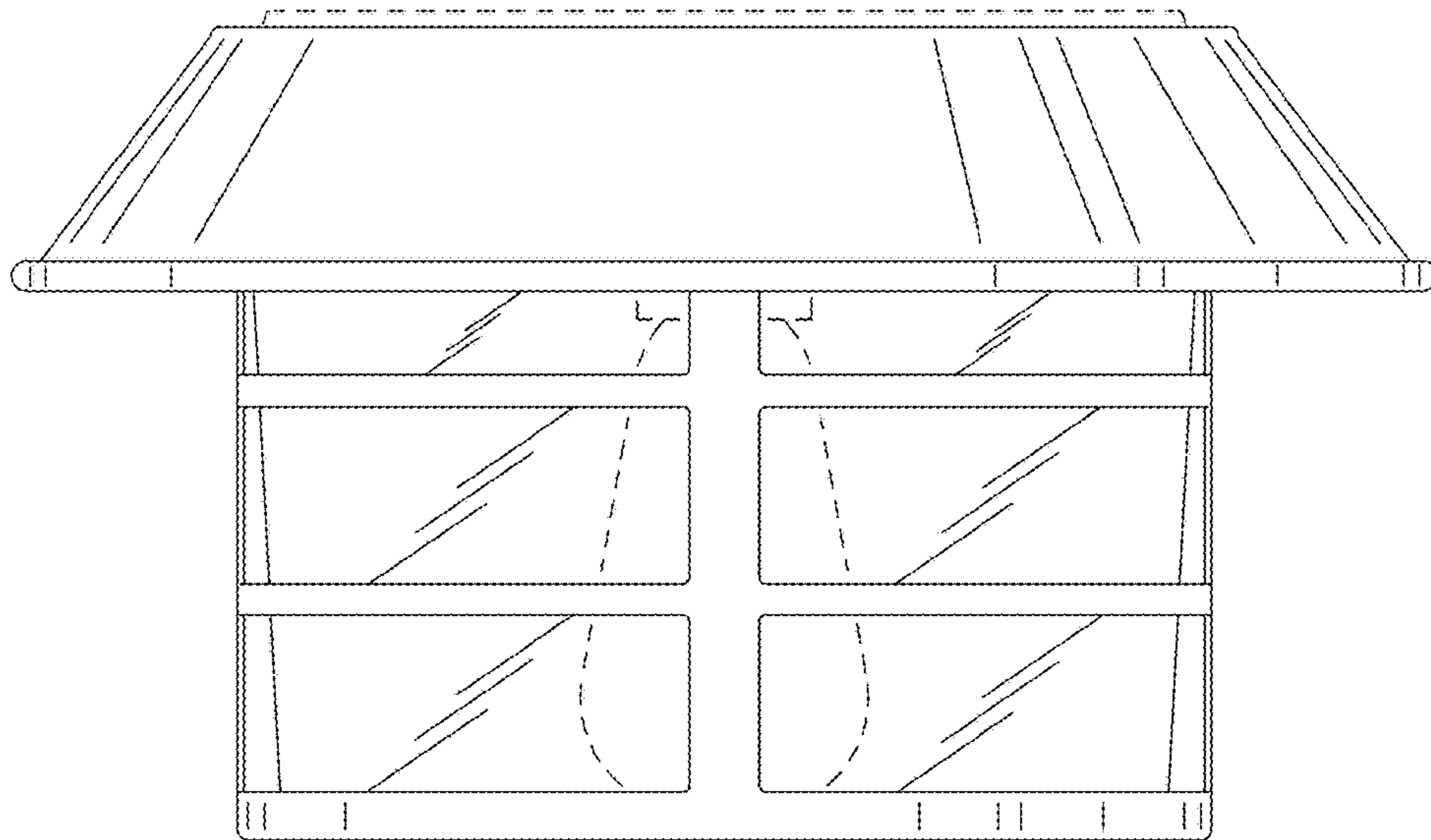


FIG. 5