



US00D834169S

(12) **United States Design Patent** (10) **Patent No.:** **US D834,169 S**  
**Gobber et al.** (45) **Date of Patent:** **\*\* Nov. 20, 2018**

(54) **AIR FRESHENER**

(71) Applicant: **ZOBELE HOLDING SPA**, Trento (IT)

(72) Inventors: **Cedric Gobber**, Barcelona (ES);  
**Joaquim Llorente Alonso**, Barcelona (ES)

(73) Assignee: **ZOBELE HOLDING S.P.A.**, Trento (IT)

(\*\*) Term: **15 Years**

(21) Appl. No.: **35/502,834**

(22) Filed: **Oct. 20, 2016**

(80) **Hague Agreement Data**

Int. Filing Date: **Oct. 20, 2016**

Int. Reg. No.: **DM/093147**

Int. Reg. Date: **Oct. 20, 2016**

Int. Reg. Pub. Date: **Apr. 21, 2017**

(30) **Foreign Application Priority Data**

Apr. 21, 2016 (ES) ..... D0523174

(51) **LOC (11) Cl.** ..... **23-99**

(52) **U.S. Cl.**  
USPC ..... **D23/366; D9/522**

(58) **Field of Classification Search**  
USPC ..... D23/207, 208, 360, 364-369, 388;  
D22/119, 122; D9/522, 571, 572  
CPC ..... A61L 9/00; A61L 9/02; A61L 9/03; A61L  
9/034; A61L 9/04; A61L 9/12; A61L  
9/032; A61L 9/122; A61L 9/127; A61L  
9/22; B01D 46/00; B01D 46/0002; B01D  
46/20; F02M 35/04; F24F 13/20; A62B  
21/00

See application file for complete search history.

(56) **References Cited**

U.S. PATENT DOCUMENTS

D492,021	S	*	6/2004	Basaganas Millan	.....	D23/366
D505,330	S	*	5/2005	Wolpert	.....	D23/366
D518,730	S	*	4/2006	Caserta	.....	D23/366
D537,351	S	*	2/2007	Caserta	.....	D9/522
D537,354	S	*	2/2007	Caserta	.....	D9/522
D542,662	S	*	5/2007	Caserta	.....	D9/453
7,357,561	B2	*	4/2008	Hidalgo	.....	A01M 1/2077 362/101
D579,777	S	*	11/2008	Weggelaar	.....	D9/454
7,854,393	B2	*	12/2010	DiBello	.....	A61L 9/127 239/34
D634,209	S	*	3/2011	Myojin	.....	D9/453
D799,979	S	*	10/2017	King	.....	D9/571
D806,218	S	*	12/2017	Wynalda, Jr.	.....	D23/366
2005/0001053	A1	*	1/2005	Zobeles	.....	A61L 9/12 239/44

\* cited by examiner

*Primary Examiner* — Keli L Hill

(74) *Attorney, Agent, or Firm* — Ostrolenk Faber LLP

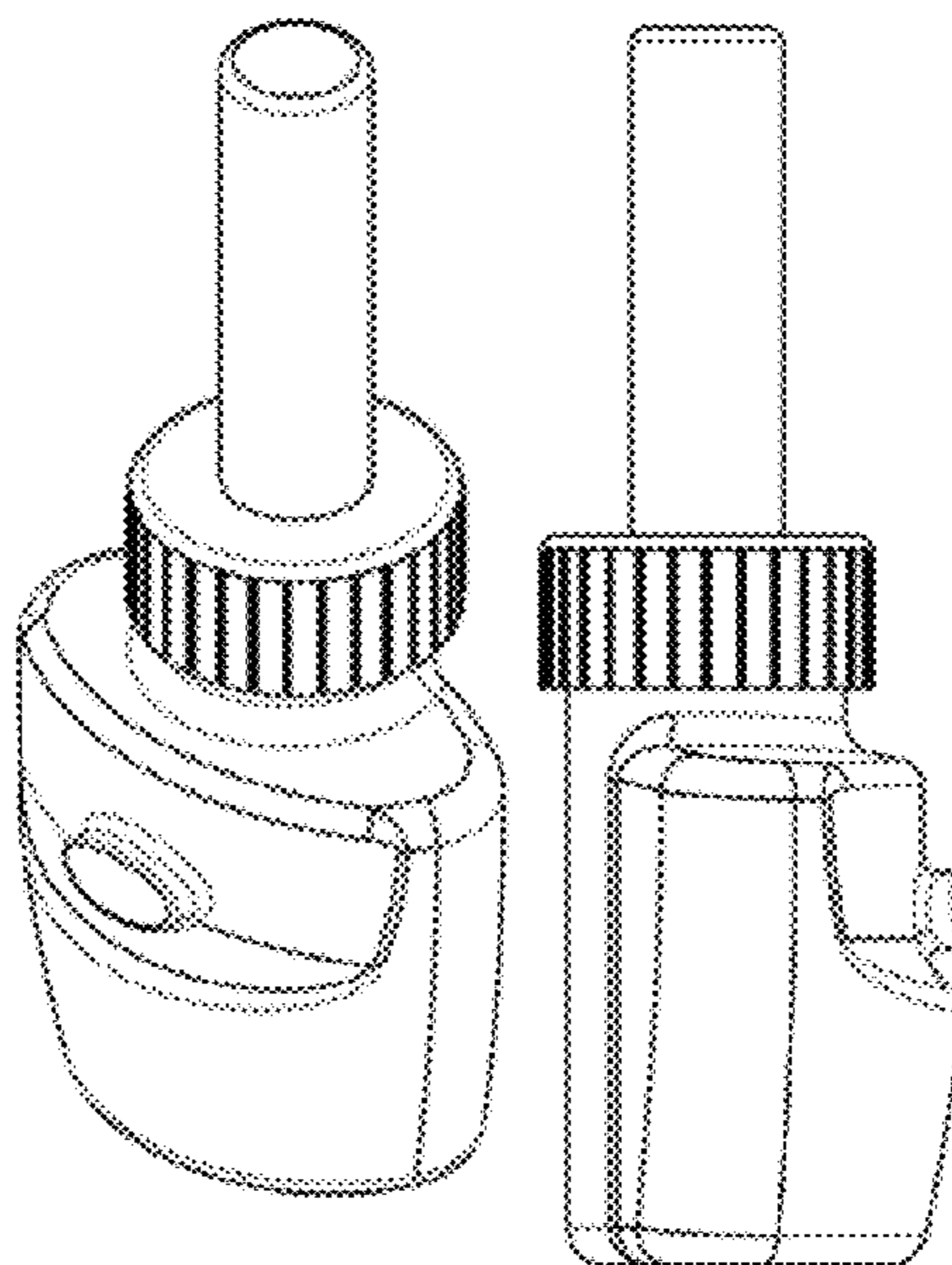
(57) **CLAIM**

The ornamental design for an air freshener, as shown and described.

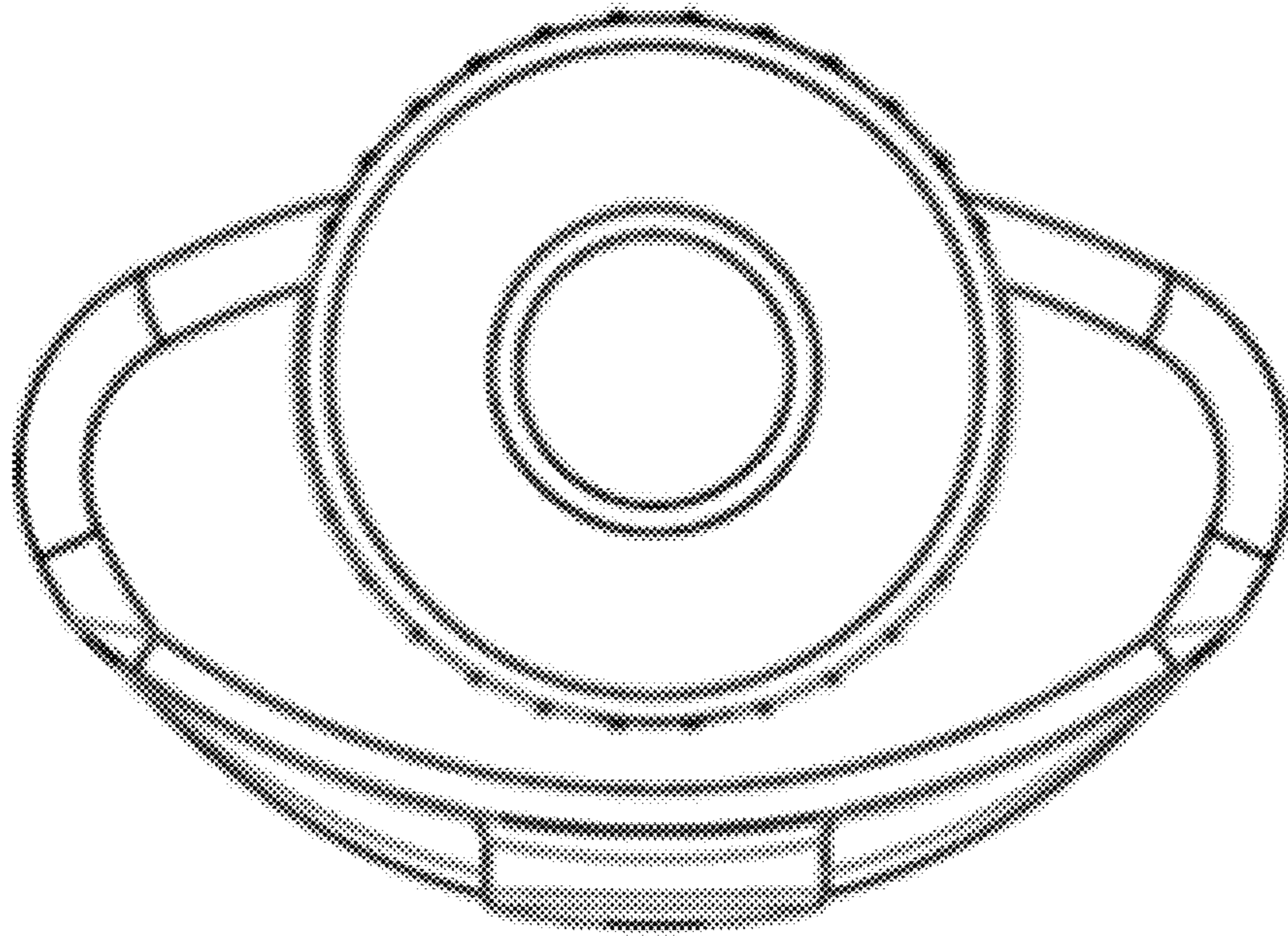
**DESCRIPTION**

- 1. Air Freshener
- 1.1 is a top plan view.
- 1.2 is a front top and right side perspective view.
- 1.3 is a left side elevation view.
- 1.4 is a bottom plan view.
- 1.5 is a right side elevation view.
- 1.6 is a front elevation view.

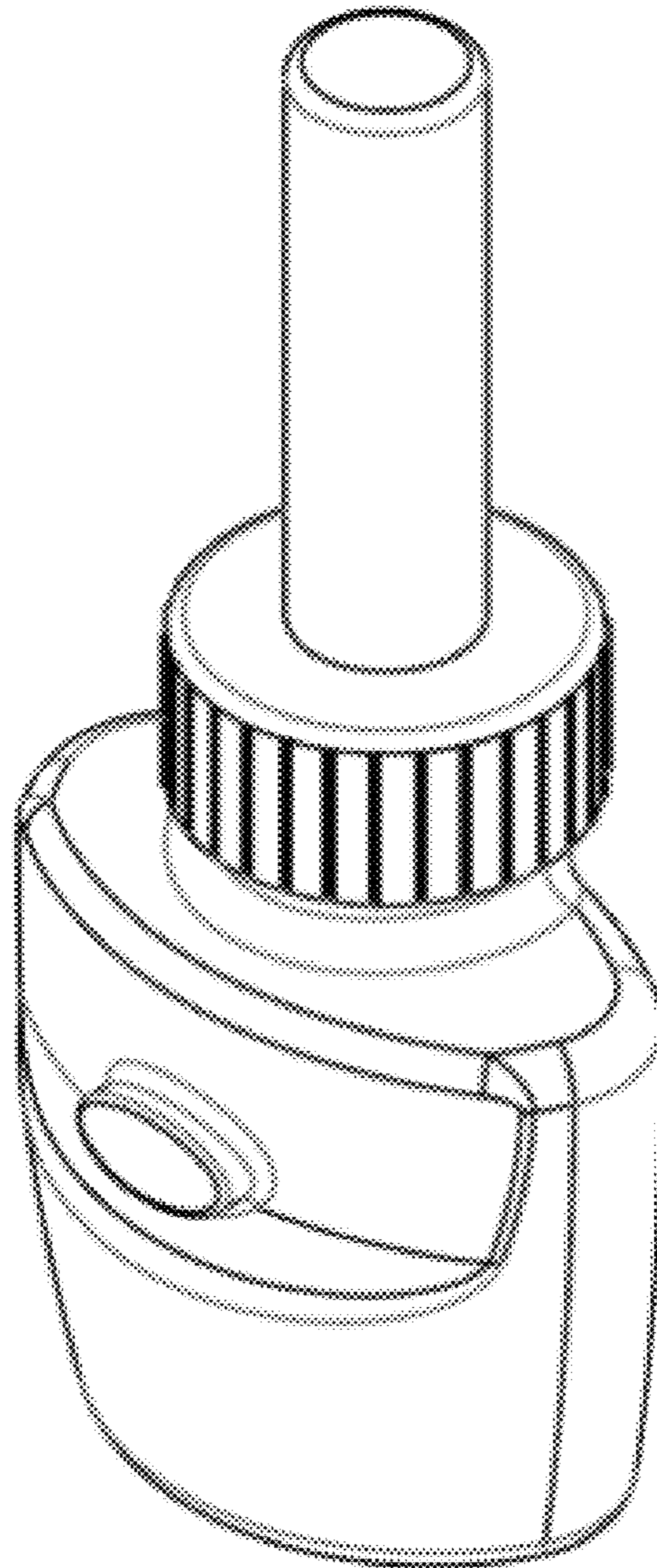
**1 Claim, 6 Drawing Sheets**



**1.1**

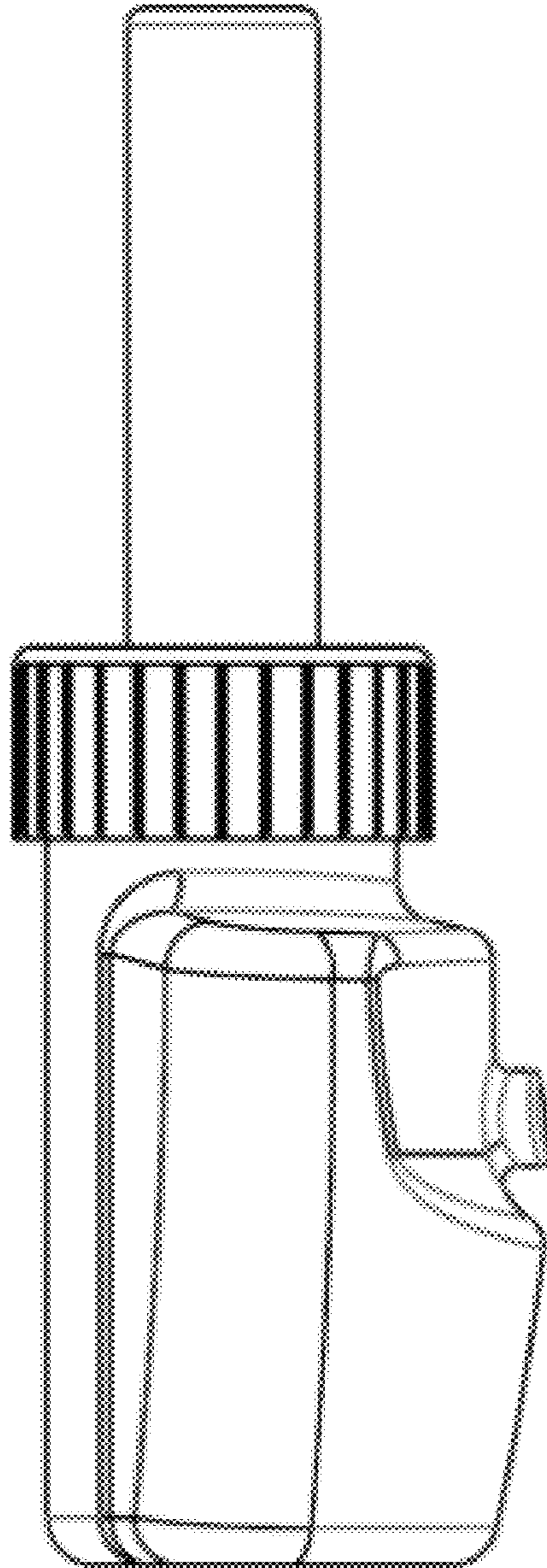


# 1.2

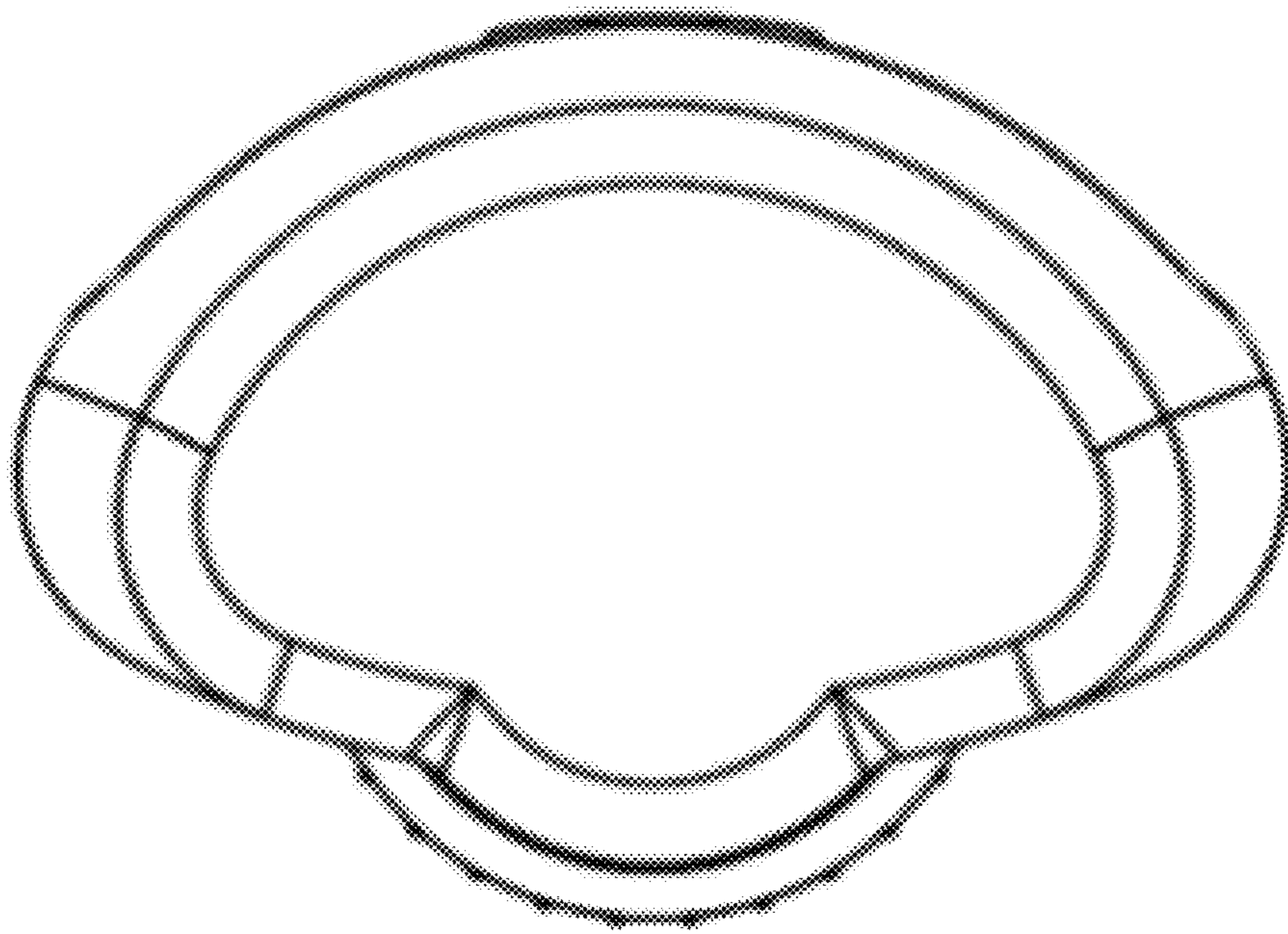




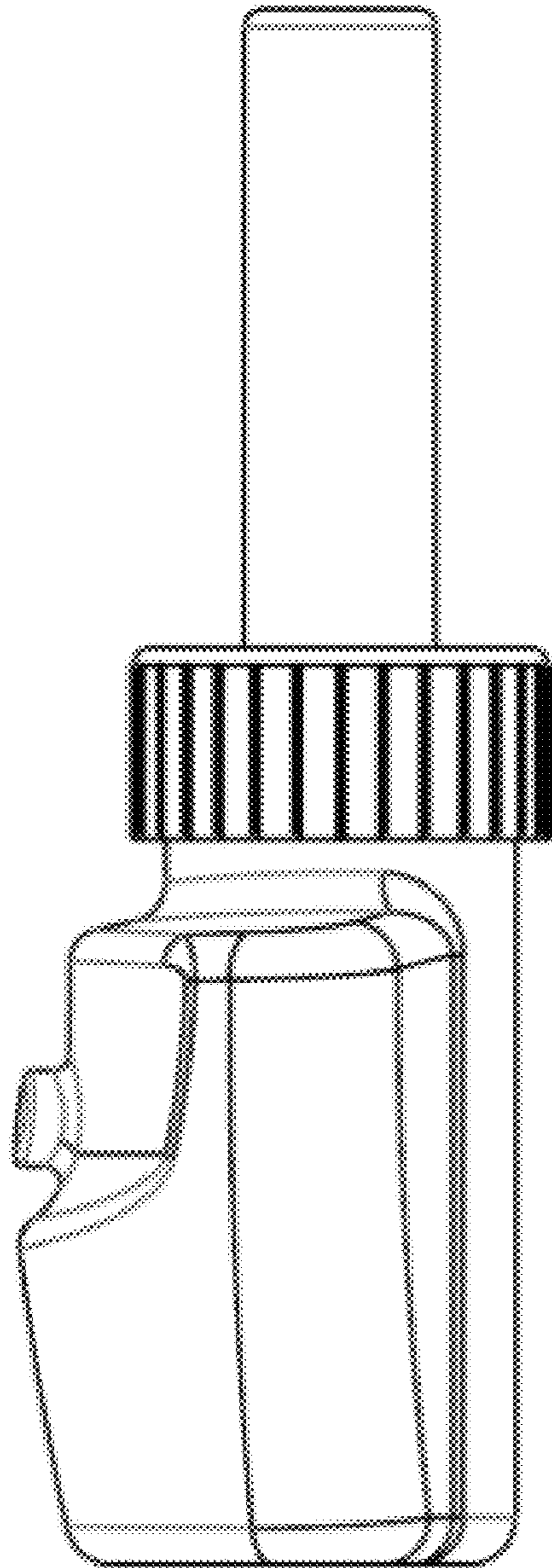
**1.3**



**1.4**



**1.5**



**1.6**

