



US00D834166S

(12) **United States Design Patent** (10) **Patent No.:** **US D834,166 S**
Ruhland et al. (45) **Date of Patent:** **** Nov. 20, 2018**

(54) **FILTER HOUSING**

(56) **References Cited**

(71) Applicant: **MANN+HUMMEL GmbH**,
Ludwigsburg (DE)
(72) Inventors: **Klaus-Dieter Ruhland**, Meckenheim
(DE); **Michael Kaufmann**,
Meckenheim (DE); **Peter Theiss**,
Stuttgart (DE)
(73) Assignee: **MANN+HUMMEL GmbH**,
Ludwigsburg (DE)

U.S. PATENT DOCUMENTS

D253,845	S	*	1/1980	Morrow	D23/357
4,932,988	A	*	6/1990	Lutterbach	B01D 46/00 55/356
D311,270	S	*	10/1990	Savage	D23/365
D696,760	S	*	12/2013	Wolf, II	D23/364
D725,760	S	*	3/2015	Nakagawa	D23/365
D762,834	S	*	8/2016	Kaufmann	D23/365
D775,715	S	*	1/2017	Kim	D23/351
D777,891	S	*	1/2017	Kubota	D23/351
D784,503	S	*	4/2017	Eicher	D23/351

(Continued)

(**) Term: **15 Years**
(21) Appl. No.: **29/646,867**
(22) Filed: **May 8, 2018**

Primary Examiner — David Muller
(74) *Attorney, Agent, or Firm* — James Hasselbeck

(57) **CLAIM**

We claim the ornamental design for a filter housing, as shown and described.

DESCRIPTION

FIG. 1 shows a front elevational view of the filter housing showing our new design;
FIG. 2 shows a top plan view thereof;
FIG. 3 shows a bottom plan view thereof;
FIG. 4 shows a rear elevational view thereof;
FIG. 5 shows a right side elevational view thereof;
FIG. 6 shows a left side elevational view thereof;
FIG. 7 shows a perspective view of the rear, top and left sides, thereof;
FIG. 8 shows a perspective view of the top, left and rear sides, thereof;
FIG. 9 shows a perspective view of the left, top and front sides, thereof;
FIG. 10 shows a partial perspective of the front from the left and top; and,
FIG. 11 shows a rear, bottom perspective view, aligned to look directly into the large circular feature.
The broken line showing of parts of the drawings is included for the purpose of illustrating use and environment and forms no part of the claimed design.

Related U.S. Application Data

(63) Continuation of application No. 29/580,701, filed on Oct. 12, 2016, now Pat. No. Des. 817,468.

Foreign Application Priority Data

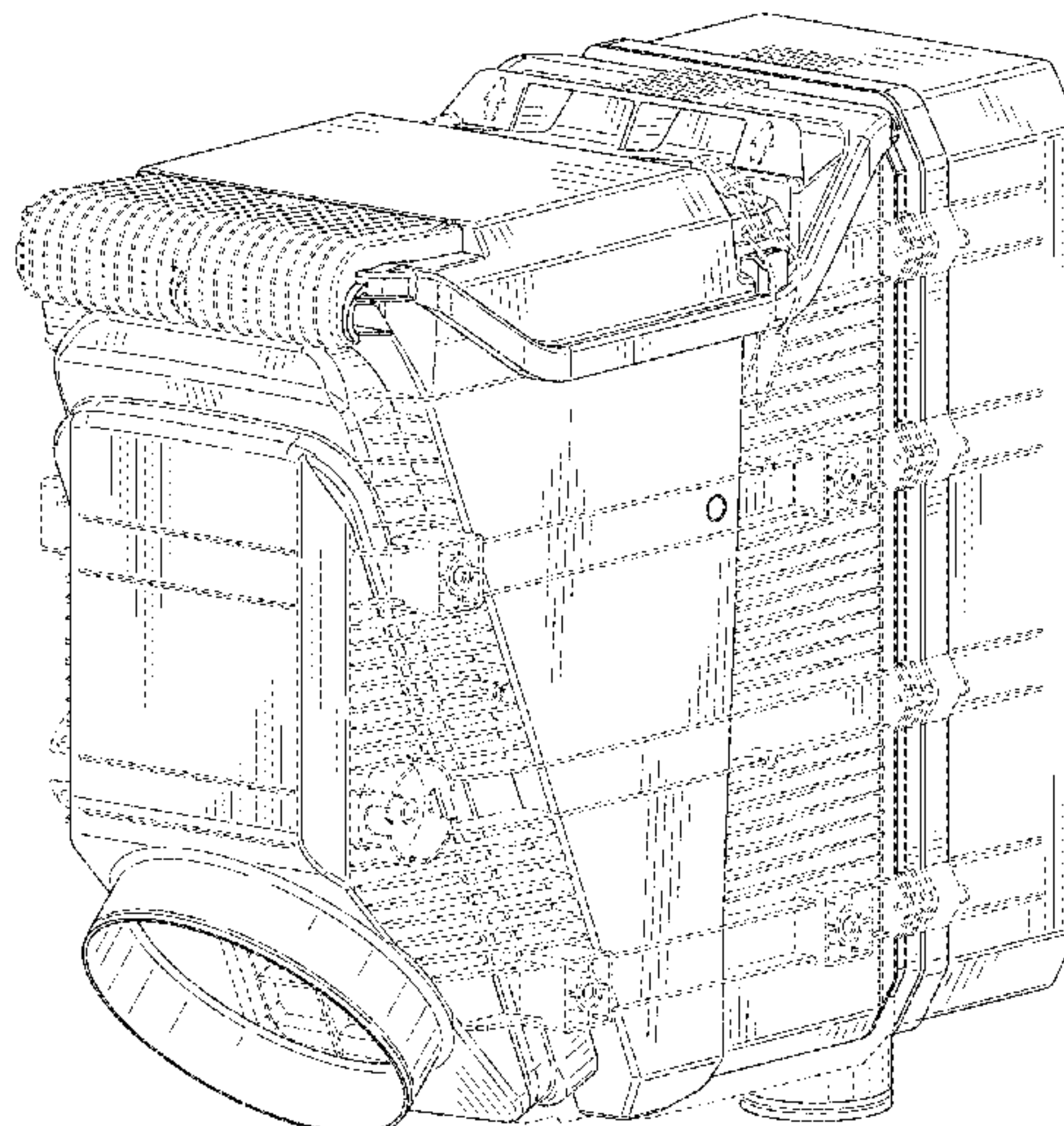
Apr. 12, 2016 (EM) 003065150-0001

(51) **LOC (11) Cl.** **23-04**

(52) **U.S. Cl.**
USPC **D23/365**

(58) **Field of Classification Search**
USPC D23/355–366, 352, 369, 332, 333, 335,
D23/336, 342, 351; 422/120, 122;
55/356, 473, 504; 96/97; 261/DIG. 17,
261/DIG. 65, DIG. 88, DIG. 31
CPC .. A61L 9/16; A61L 9/22; B01D 47/00; B01D
47/027; B01D 2221/02; B01D 2259/4508;
B03C 3/155; F24F 13/20; F24F 13/222
See application file for complete search history.

1 Claim, 11 Drawing Sheets



(56)

References Cited

U.S. PATENT DOCUMENTS

D789,502 S	*	6/2017	Cartwright	D23/356
D789,503 S	*	6/2017	Alvise	D23/359
D791,295 S	*	7/2017	Wetzel	D23/351

* cited by examiner

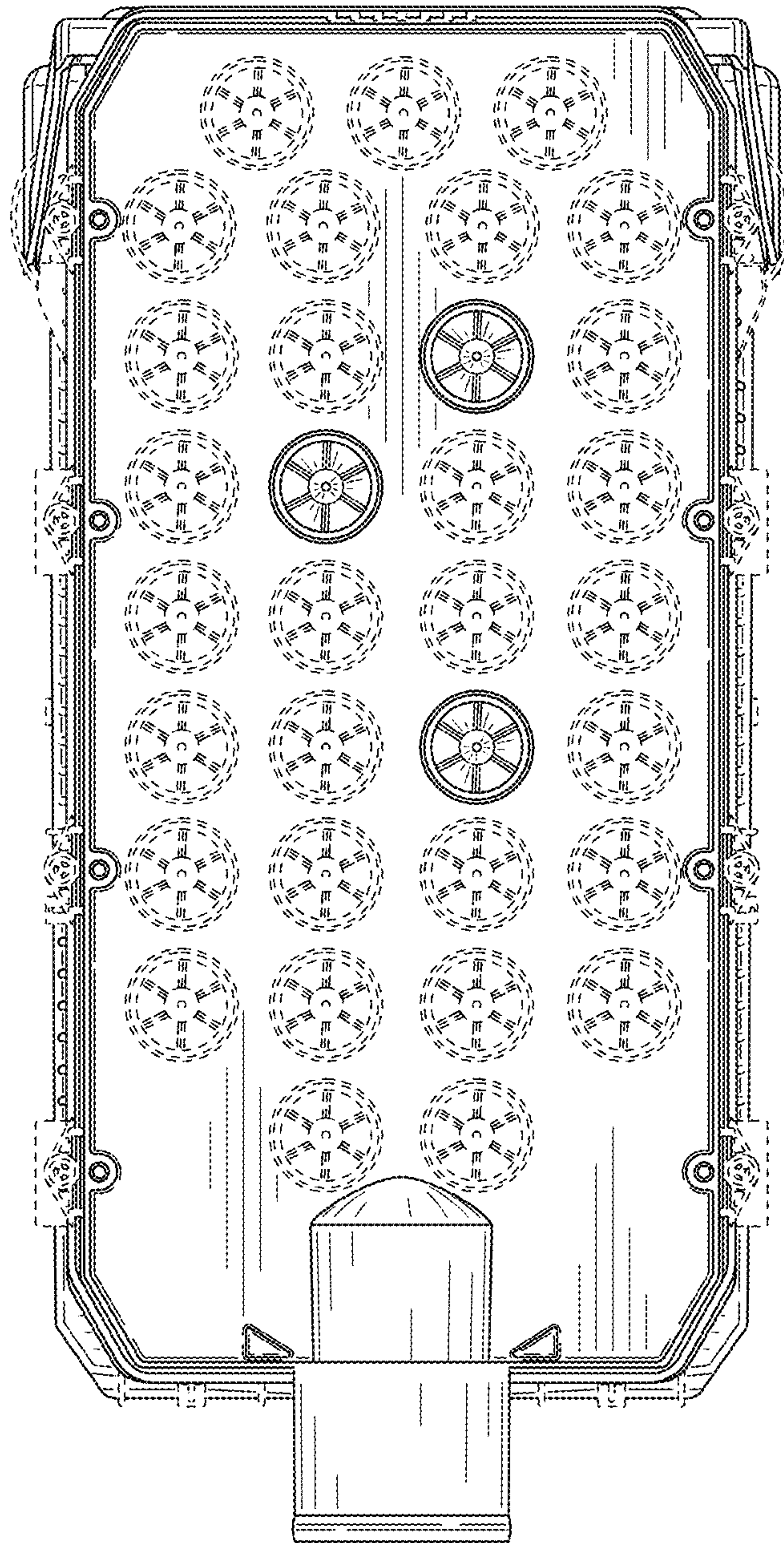


FIG. 1

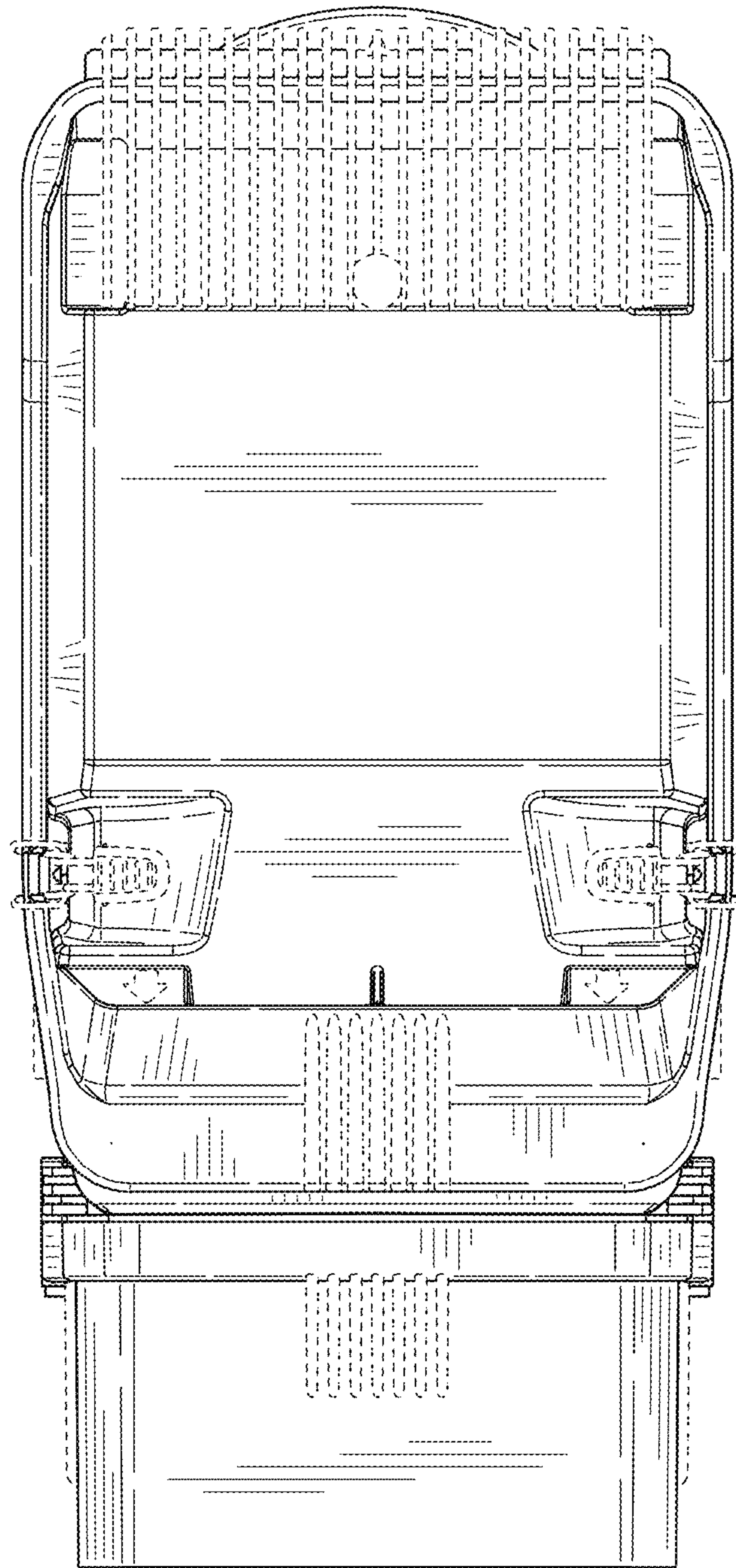


FIG. 2

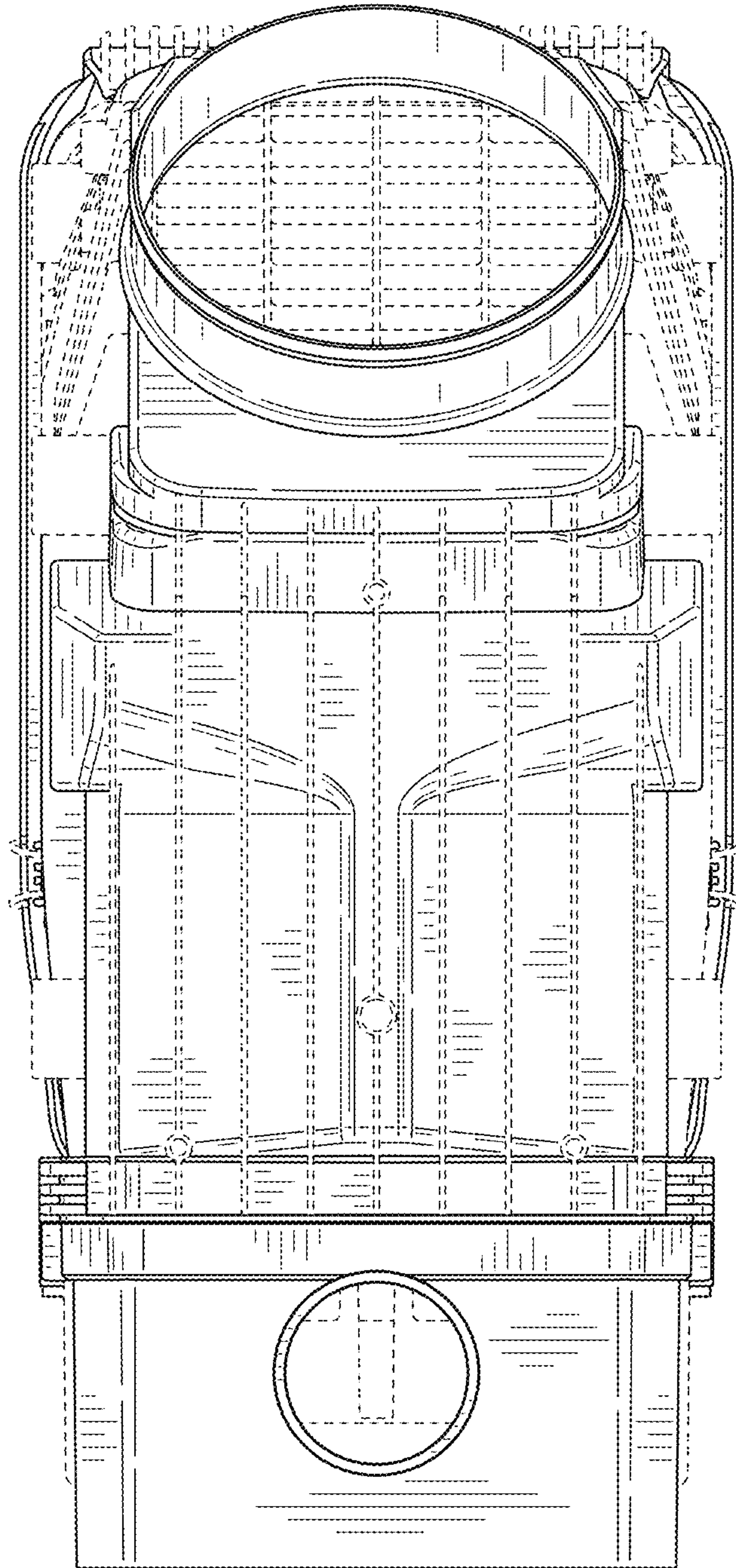


FIG. 3

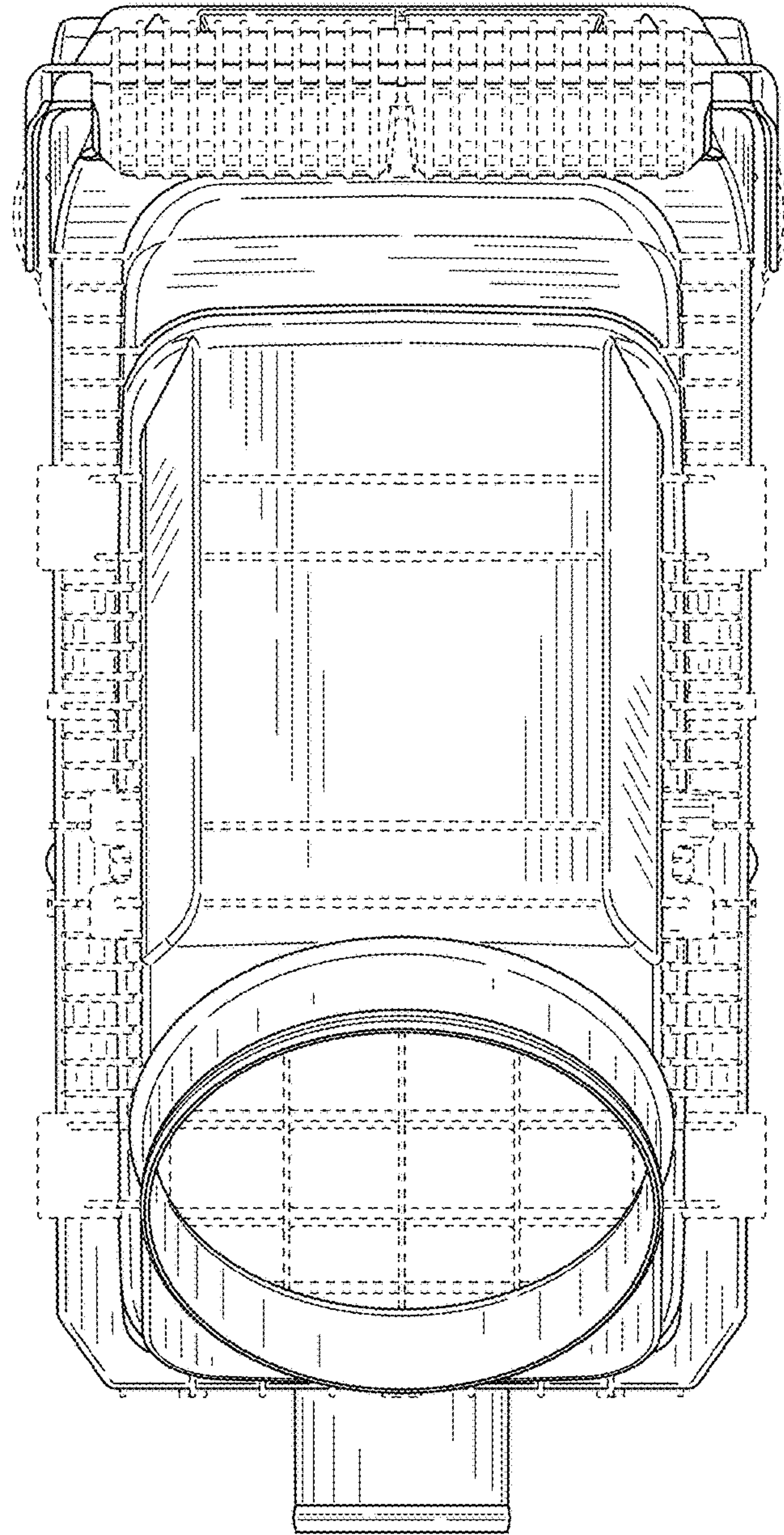


FIG. 4

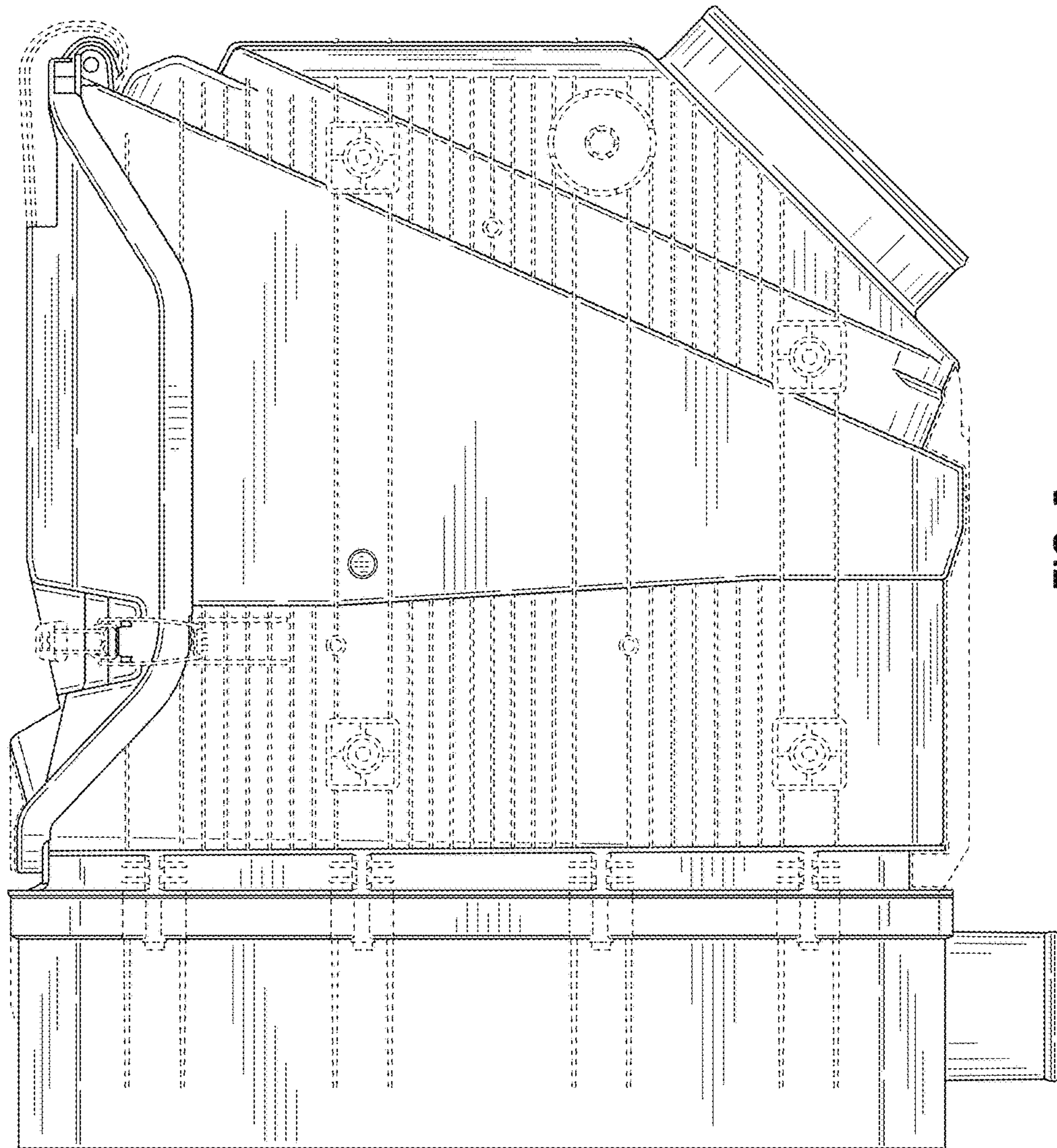


FIG. 5

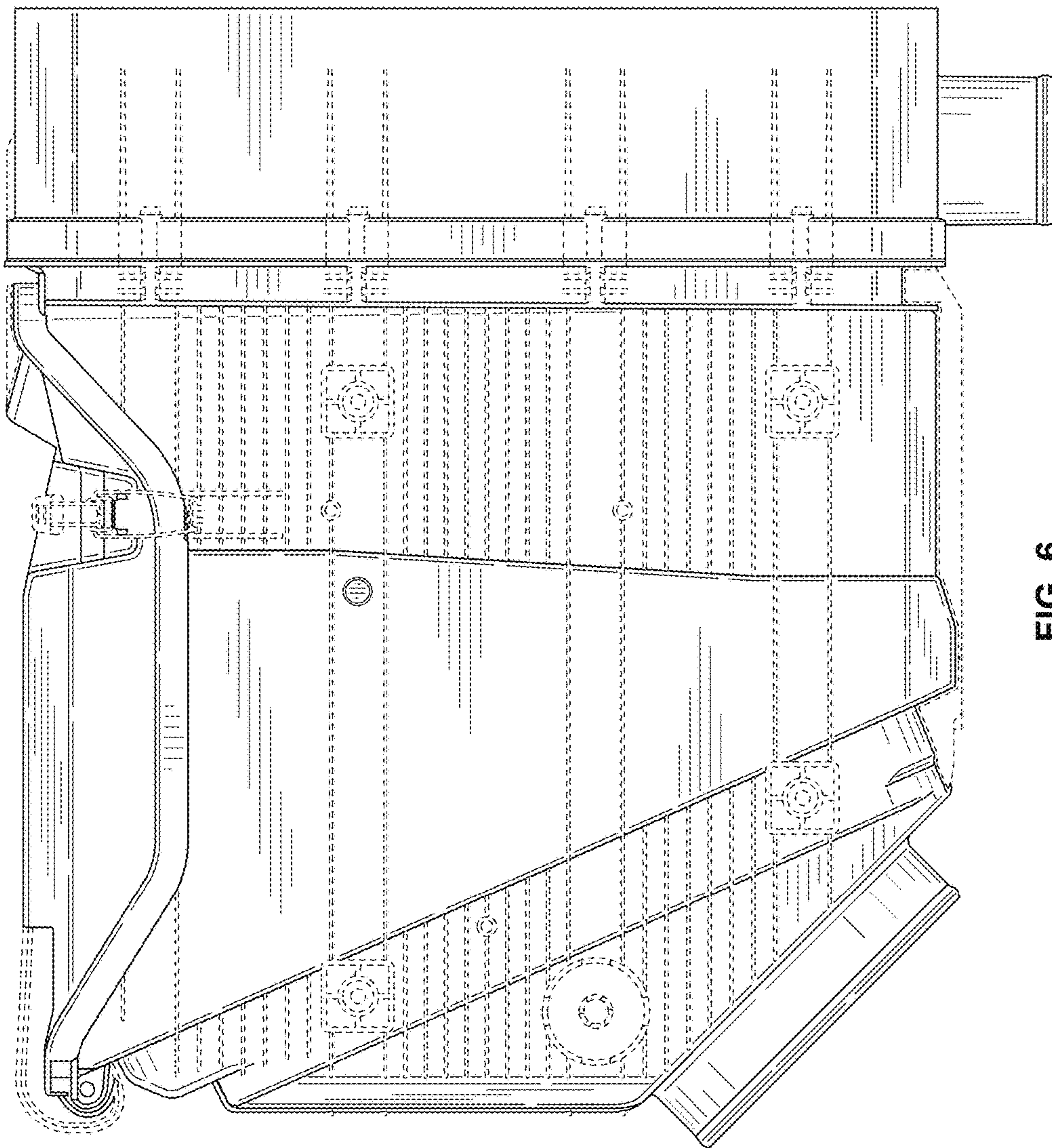


FIG. 6

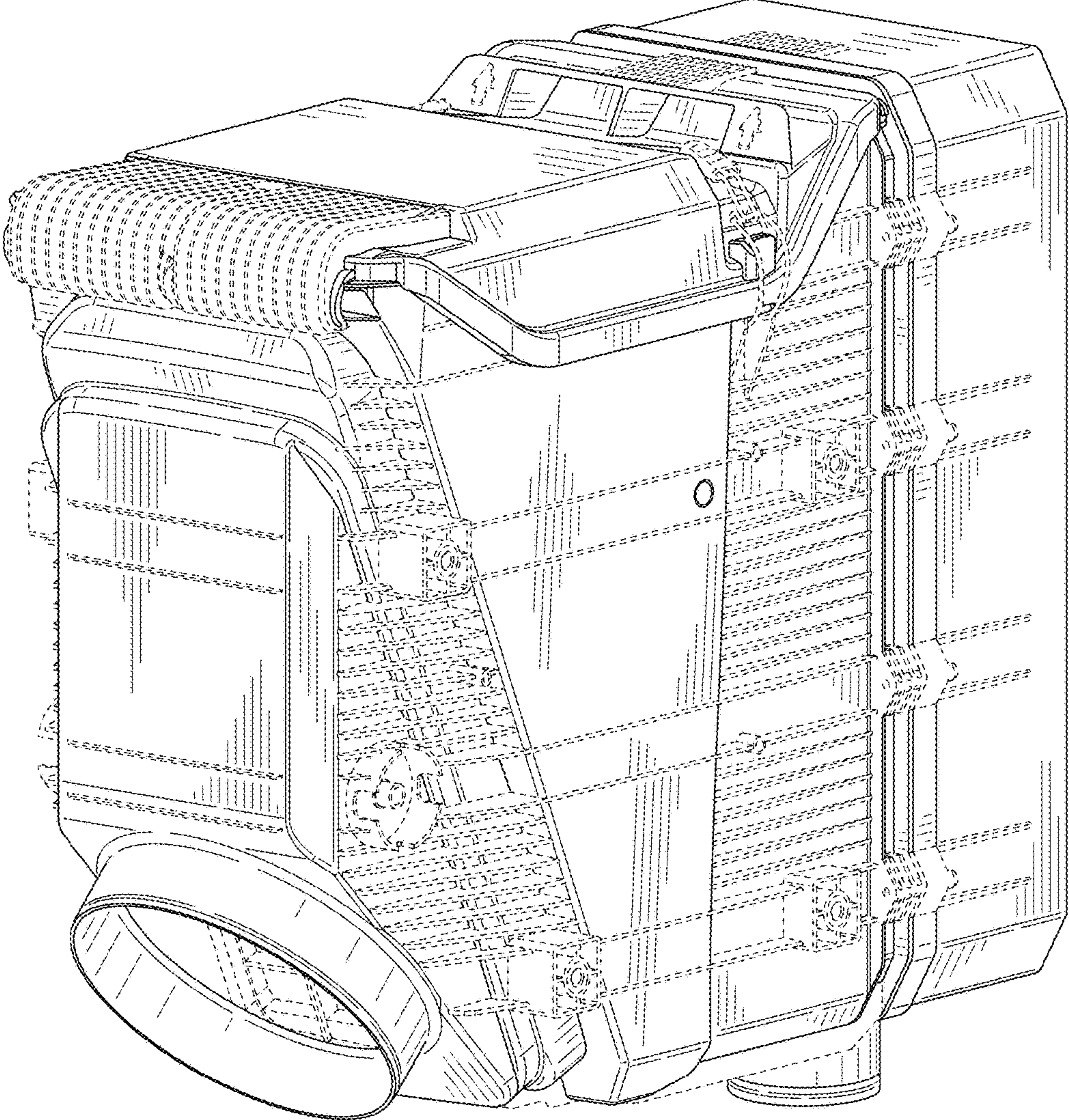


FIG. 7

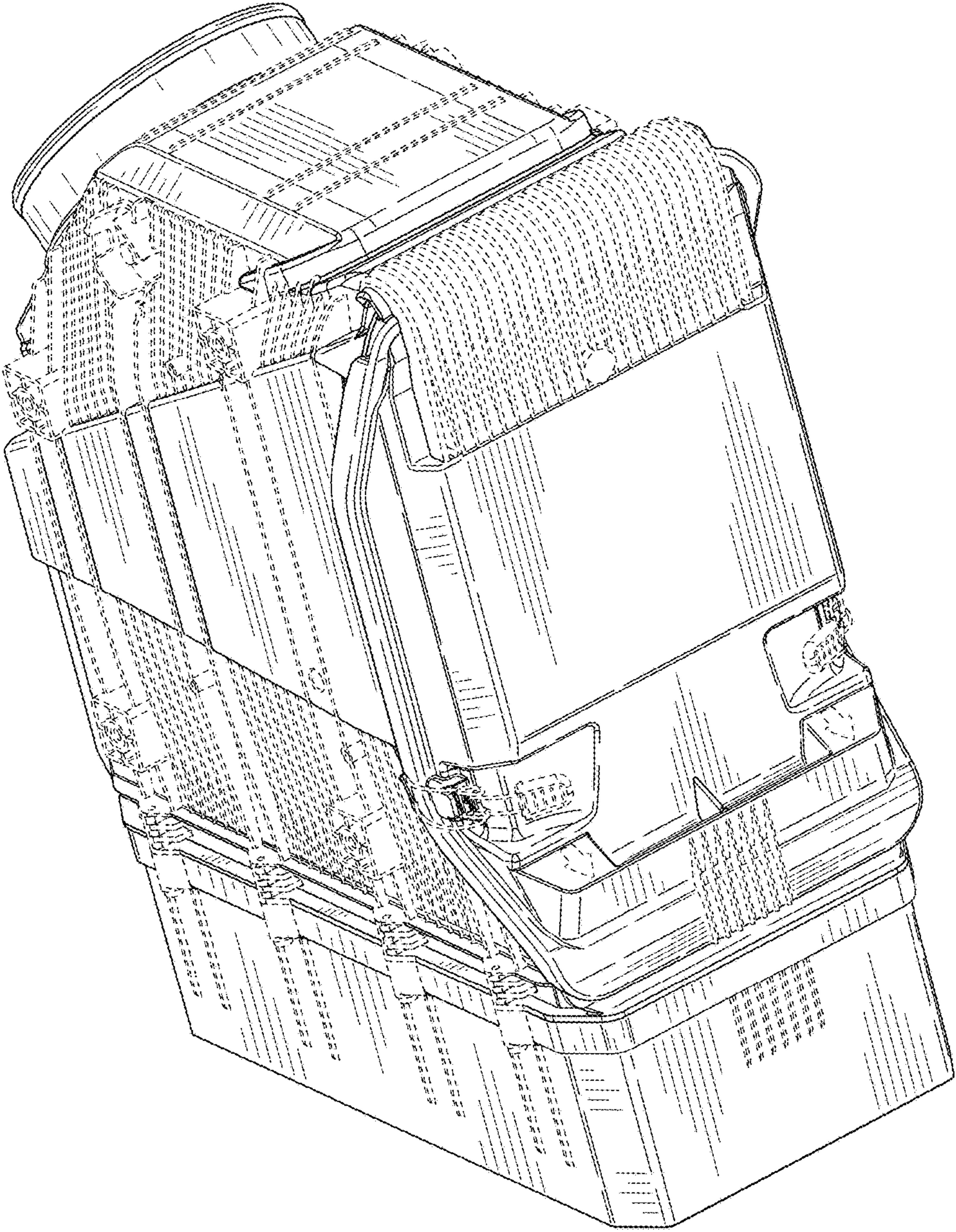


FIG. 8

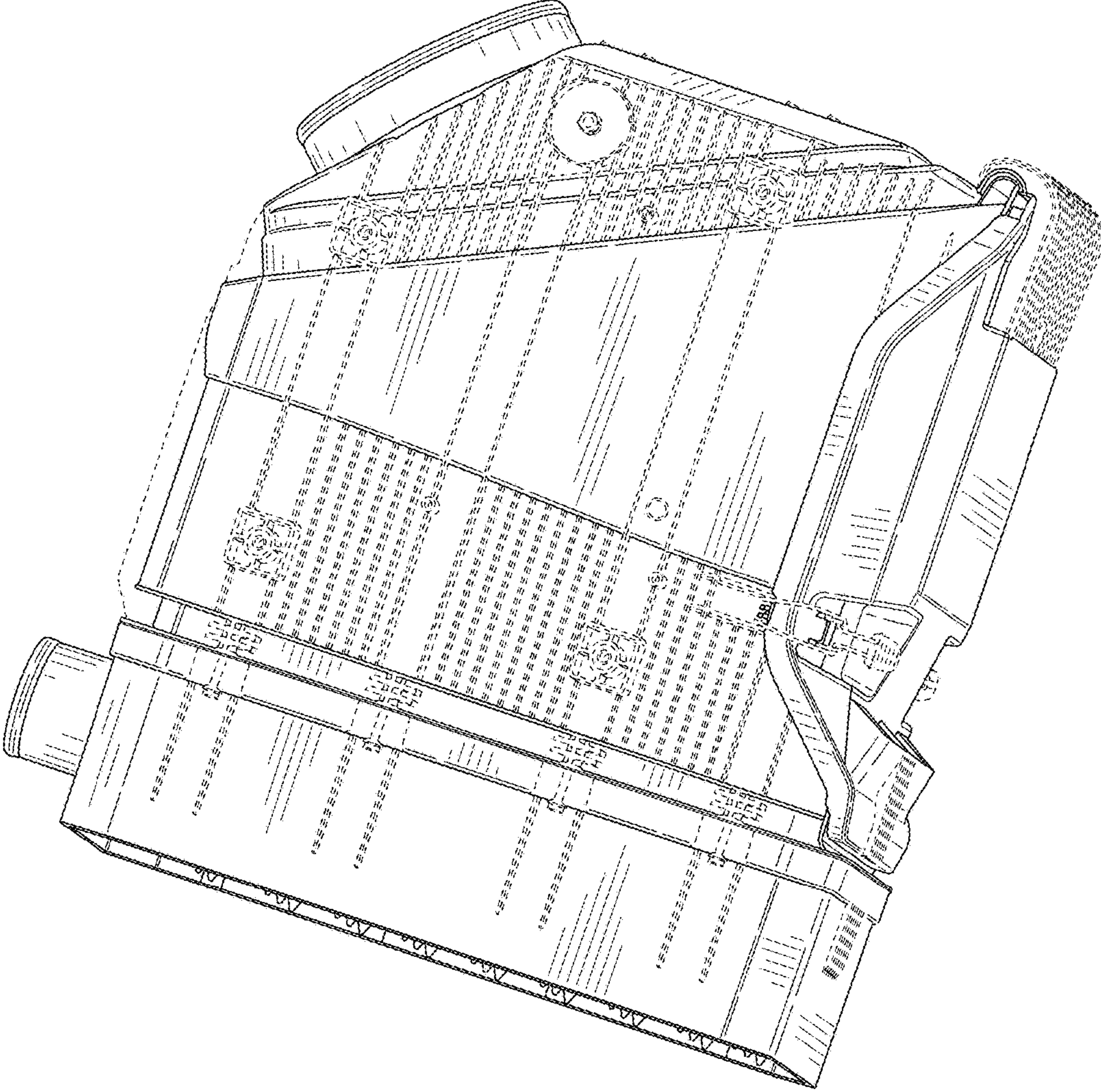


FIG. 9

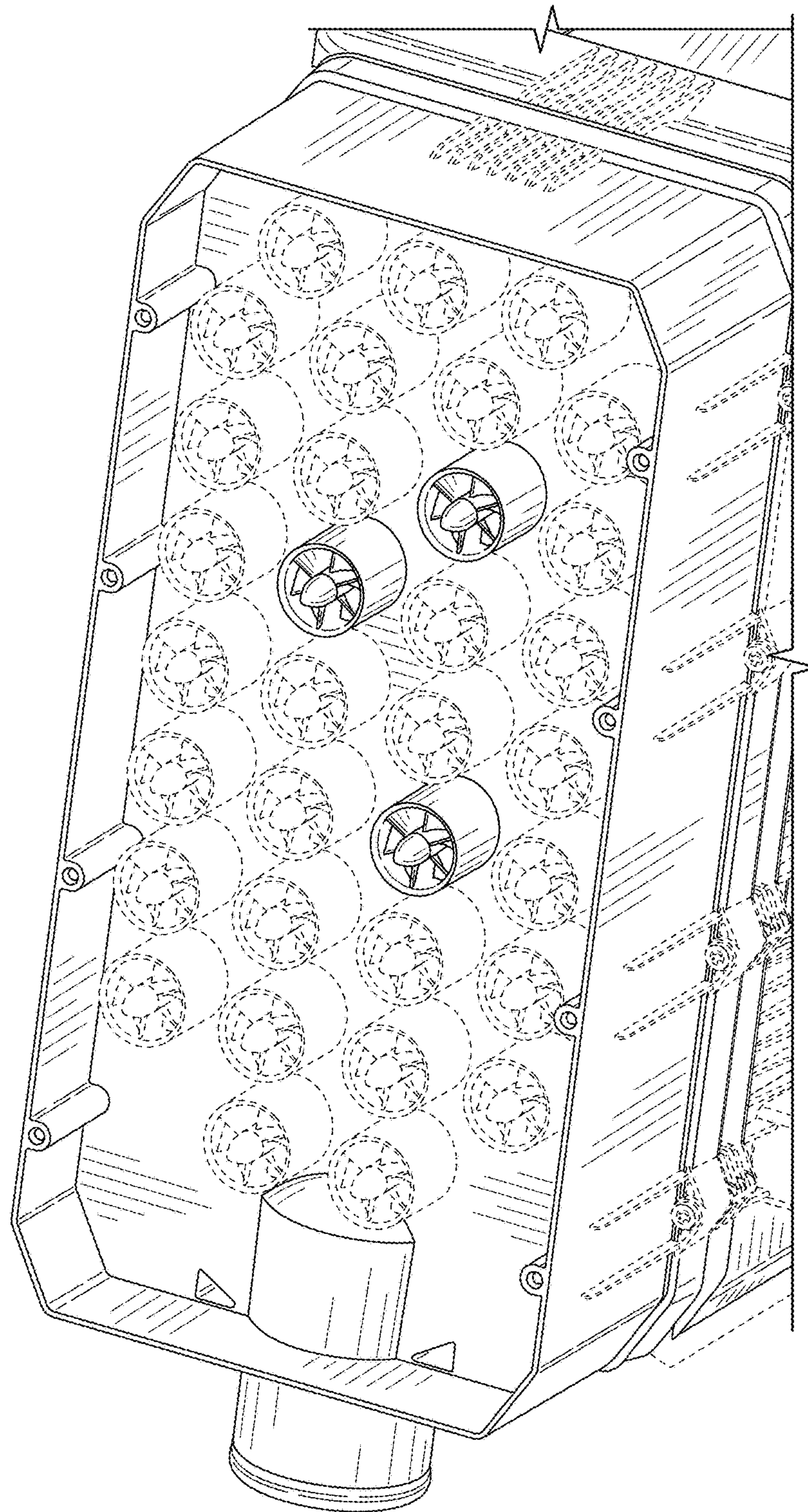


FIG. 10

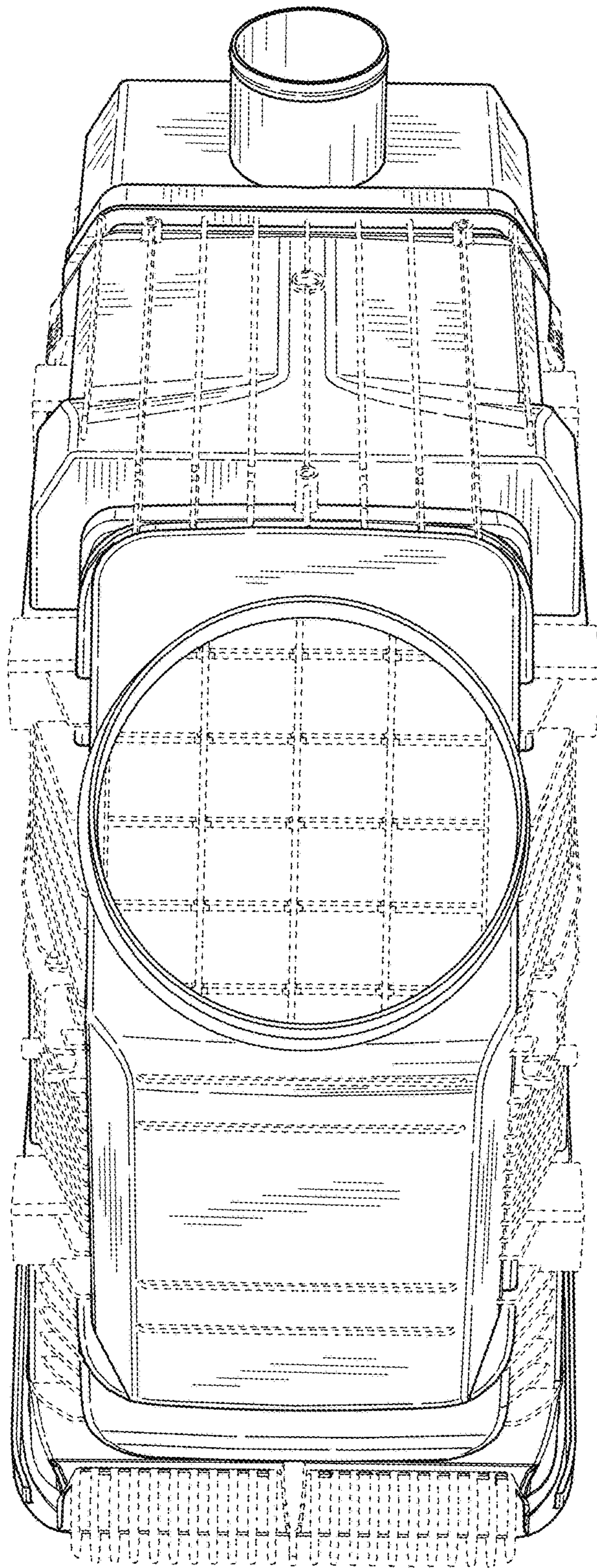


FIG. 11