



US00D834162S

(12) **United States Design Patent** (10) **Patent No.:** **US D834,162 S**
Bryn-Haugland (45) **Date of Patent:** **** Nov. 20, 2018**

(54) **ELECTRICAL HEATER**

(56) **References Cited**

(71) Applicant: **MILL INTERNATIONAL AS, Østeras**
(NO)

U.S. PATENT DOCUMENTS

(72) Inventor: **Philip Bryn-Haugland, Blommenholm**
(NO)

D175,239 S *	7/1955	Theisen	D23/336
D312,684 S *	12/1990	Geissler	D23/336
D429,803 S *	8/2000	Schmidt	D23/336
D437,036 S *	1/2001	Chen	D23/336
6,215,956 B1 *	4/2001	Lee	F24C 7/065 392/373

(73) Assignee: **Mill International AS, Osteras** (NO)

D456,067 S *	4/2002	Kalina	D23/336
D457,615 S *	5/2002	Schmidt	D23/336
D506,815 S *	6/2005	Blateri	D23/335
D507,635 S *	7/2005	Blateri	D23/335
D509,889 S *	9/2005	Blateri	D23/335
D532,500 S *	11/2006	Yeung	D23/339
D606,637 S *	12/2009	Wakabayashi	D23/317
D633,189 S *	2/2011	Berge	D23/342
D776,801 S *	1/2017	Tamura	D23/330

(**) Term: **15 Years**

(21) Appl. No.: **35/502,252**

(22) Filed: **Jul. 1, 2016**

(80) **Hague Agreement Data**

Int. Filing Date: **Jul. 1, 2016**
Int. Reg. No.: **DM/092222**
Int. Reg. Date: **Jul. 1, 2016**
Int. Reg. Pub. Date: **Jan. 6, 2017**

* cited by examiner

Primary Examiner — Richard E Chilcot
(74) *Attorney, Agent, or Firm* — Finnegan, Henderson,
Farabow, Garrett & Dunner, LLP

(30) **Foreign Application Priority Data**

Jan. 6, 2016 (CN) 2016 3 0003441
Feb. 26, 2016 (CN) 2016 3 0053566

(57) **CLAIM**

The ornamental design for an electrical heater, as shown and described.

(51) **LOC (11) Cl.** **23-03**

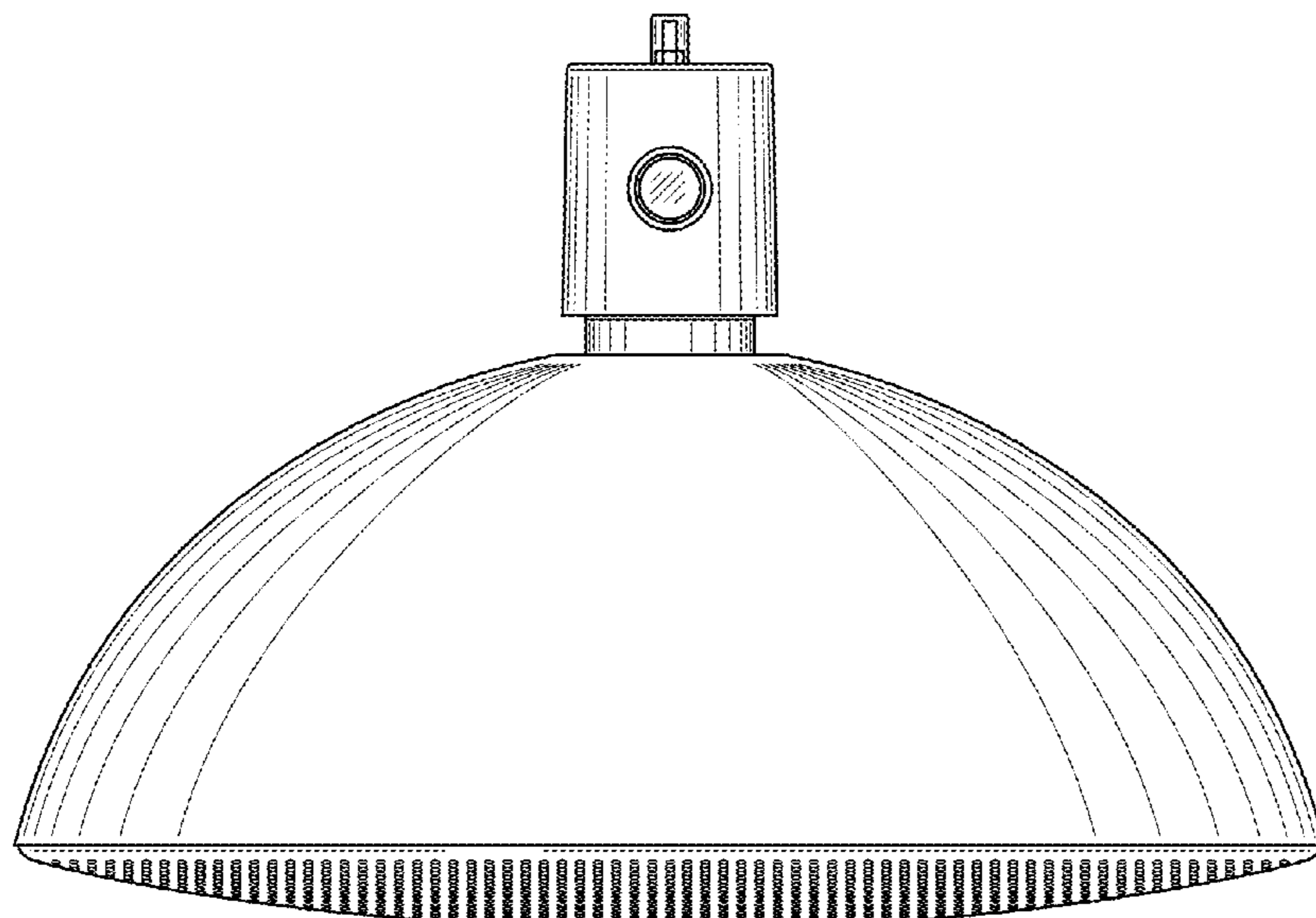
(52) **U.S. Cl.**
USPC **D23/342**
CPC **F24C 7/065** (2013.01)

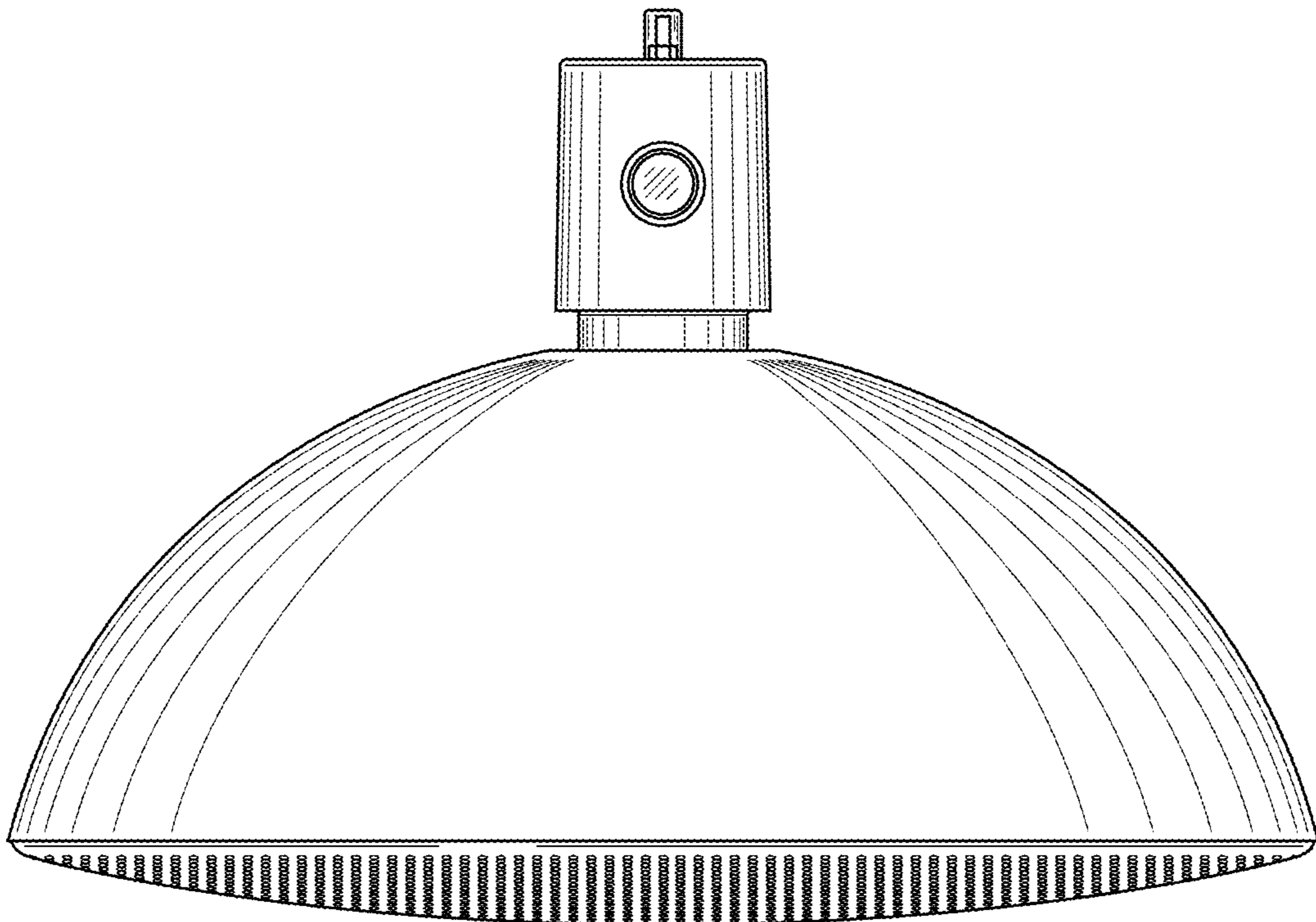
DESCRIPTION

(58) **Field of Classification Search**
USPC D23/317, 332-342, 351, 355, 370, 378,
D23/381, 364
CPC F24C 7/065
See application file for complete search history.

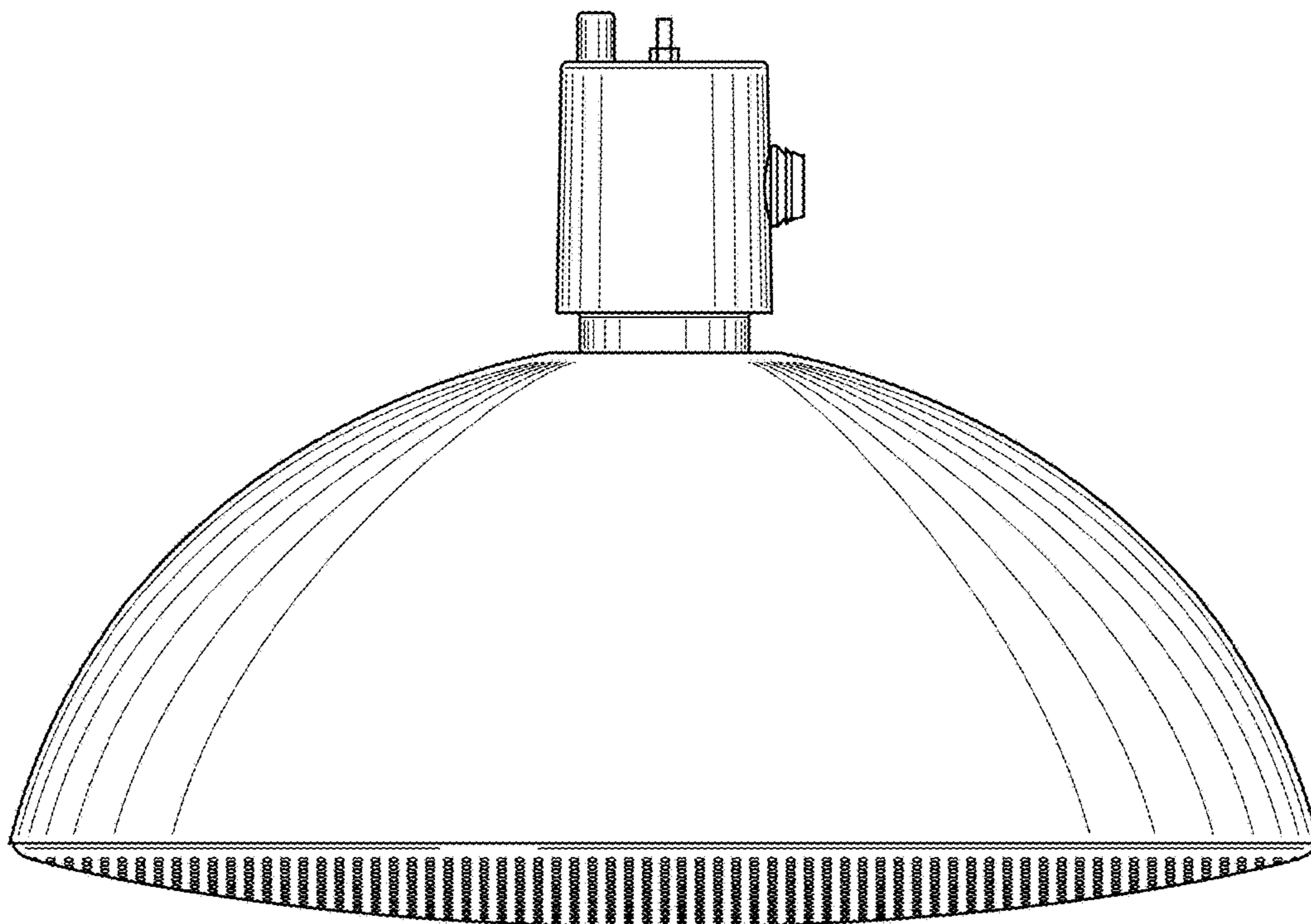
Fig. 2.1 is a front elevation view of an electrical heater, showing the new design;
Fig. 2.2 is a left side elevation view thereof;
Fig. 2.3 is a right side elevation view thereof;
Fig. 2.4 is a rear elevation view thereof;
Fig. 2.5 is a top plan view thereof; and
Fig. 2.6 is a bottom plan view thereof.

1 Claim, 6 Drawing Sheets

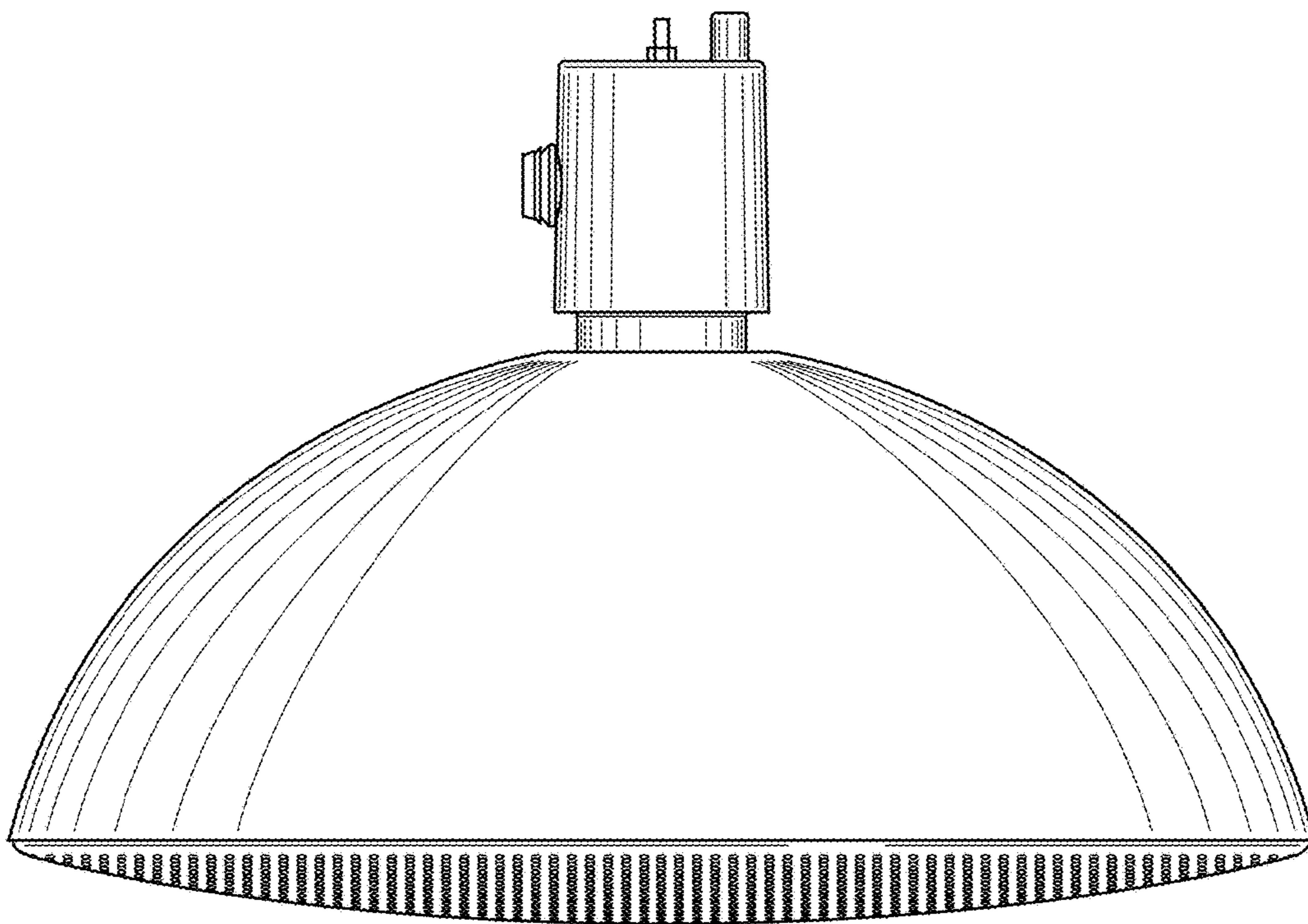




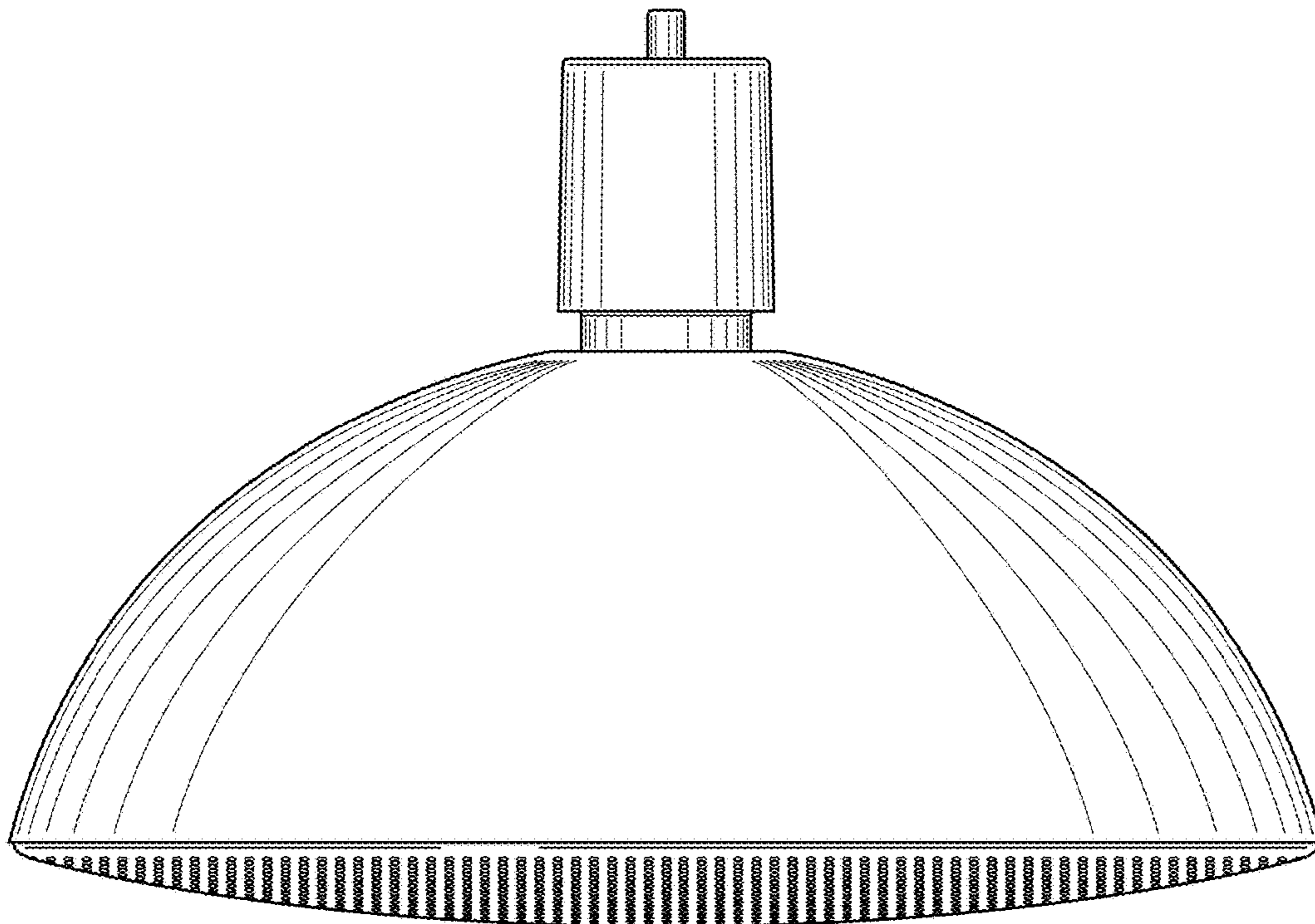
2.1



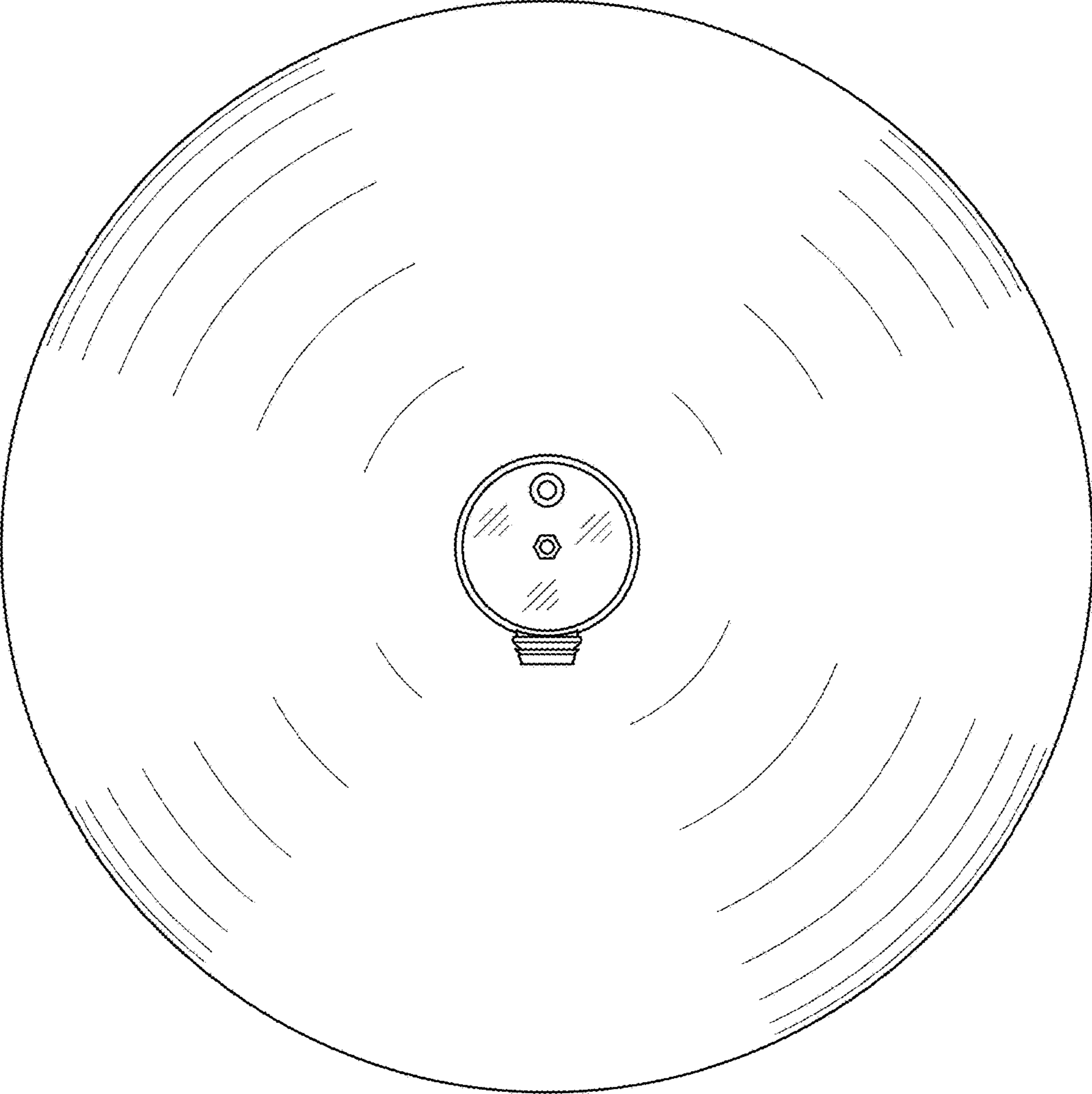
2.2



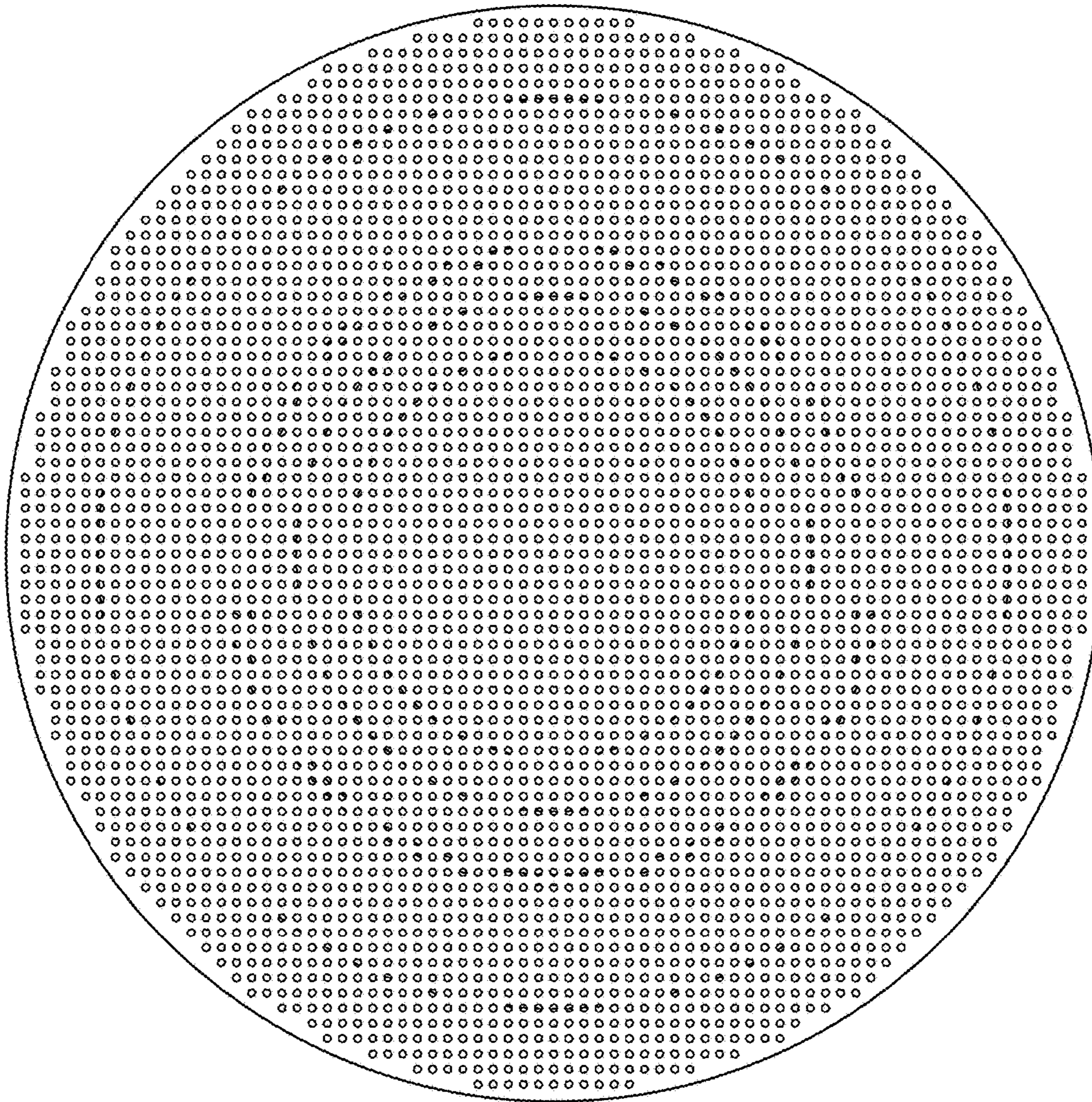
2.3



2.4



2.5



2.6