



US00D834160S

(12) **United States Design Patent** (10) **Patent No.:** **US D834,160 S**  
**Baldelli** (45) **Date of Patent:** **\*\* Nov. 20, 2018**

(54) **TOILET SEAT REDUCER**

(71) Applicant: **OKBABY S.R.L.**, Telgate (IT)

(72) Inventor: **Gian Battista Baldelli**, Telgate (IT)

(73) Assignee: **OKBABY S.R.L.**, Telgate (IT)

(\*\*) Term: **15 Years**

(21) Appl. No.: **35/501,961**

(22) Filed: **Aug. 25, 2016**

(80) **Hague Agreement Data**

Int. Filing Date: **Aug. 25, 2016**

Int. Reg. No.: **DM/093444**

Int. Reg. Date: **Aug. 25, 2016**

Int. Reg. Pub. Date: **Nov. 25, 2016**

(30) **Foreign Application Priority Data**

Feb. 29, 2016 (EM) ..... 003007301-001/005

(51) **LOC (11) Cl.** ..... **23-02**

(52) **U.S. Cl.**  
USPC ..... **D23/296**

(58) **Field of Classification Search**  
USPC ..... D23/296, 303, 309, 311-312, 299  
CPC ..... A47K 13/00; A47K 13/06; A47K 13/08  
See application file for complete search history.

(56) **References Cited**

**U.S. PATENT DOCUMENTS**

- 5,155,871 A \* 10/1992 Sams ..... A47K 11/06  
108/132
- 5,161,263 A \* 11/1992 Geneve ..... A47K 11/06  
4/239
- D340,512 S \* 10/1993 Geneve ..... D23/296
- D376,841 S \* 12/1996 Von Obenauer ..... D23/311
- 6,341,386 B1 \* 1/2002 Phillips ..... A47K 11/06  
4/479

- D454,624 S \* 3/2002 Yeung ..... D23/296
- D472,620 S \* 4/2003 Phillips ..... D23/309
- D520,616 S \* 5/2006 Sharp ..... D23/303

(Continued)

**OTHER PUBLICATIONS**

MusingNaturalMama—"Review-Kalencom 2-in-1 Pottette Plus", announced May 8, 2013 [online—YouTube video file], [site visited Nov. 15, 2017], Available from internet, URL: <http://www.youtube.com/watch?v=NjJqk5TjtNc>, 1p.\*

*Primary Examiner* — Keli L Hill

(74) *Attorney, Agent, or Firm* — Oliff PLC

(57) **CLAIM**

The ornamental design for a toilet seat reducer, as shown and described.

**DESCRIPTION**

2., 4., and 5. Toilet seat reducers

2.1 : Perspective

2.2 : Front

2.3 : Right

2.4 : Left

2.5 : Top

2.7 : Back

4.1 : Right

4.2 : Front

4.3 : Left

4.4 : Back

4.5 : Top

4.6 : Bottom

4.7 : Perspective

5.1 : Right

5.2 : Perspective

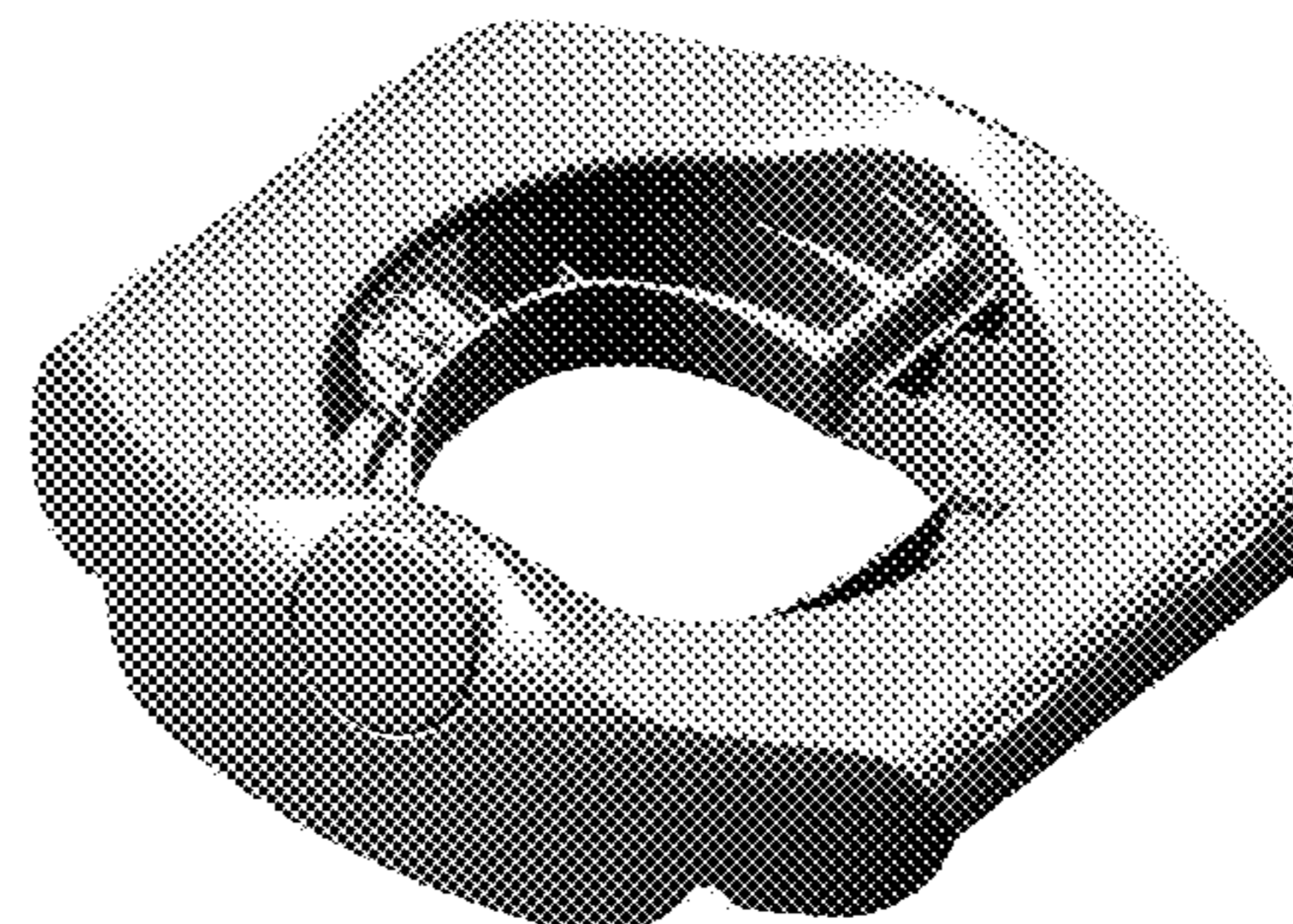
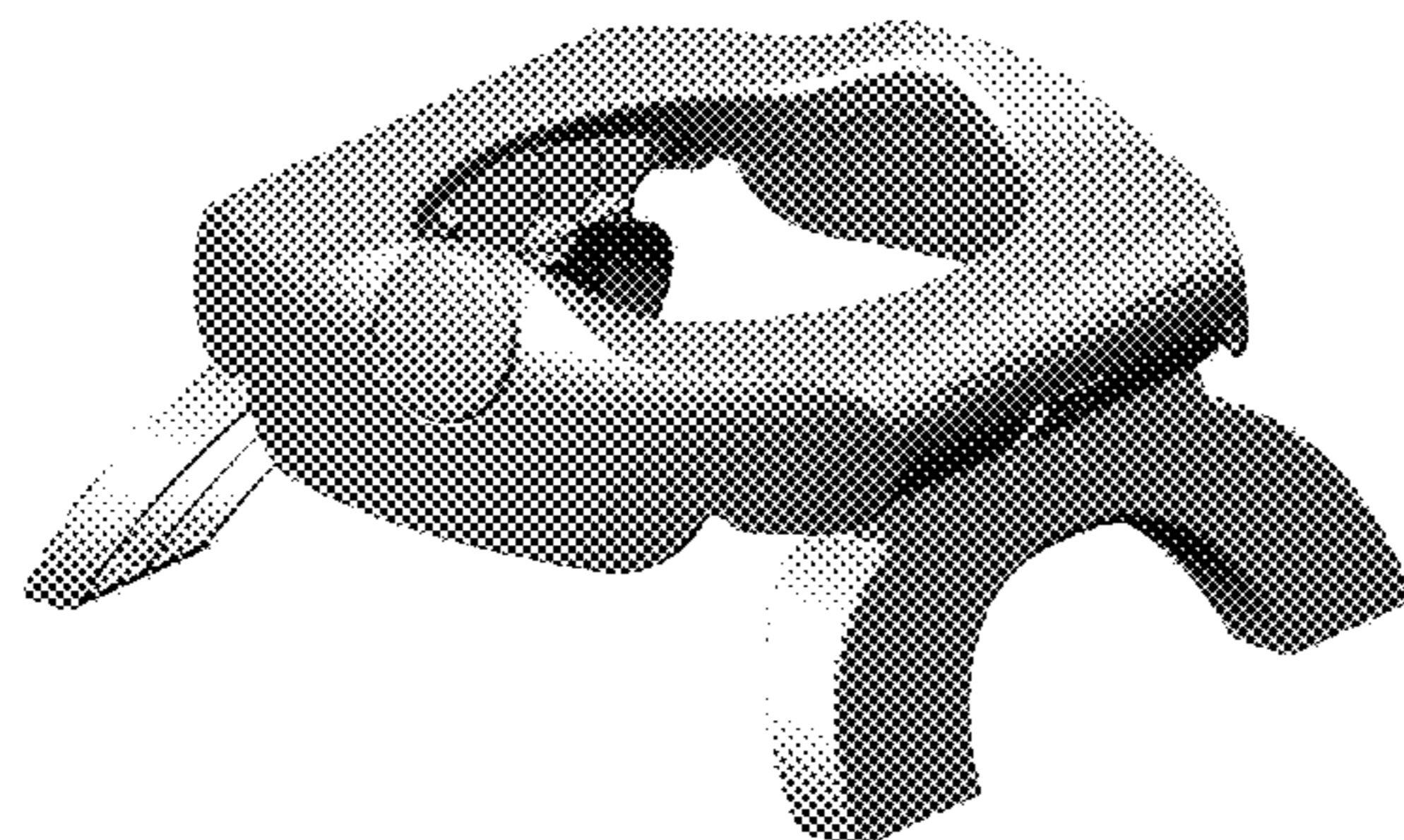
5.3 : Top

5.4 : Front

5.5 : Back

5.6 : Left

(Continued)



The broken lines in Fig. 4.6 depict unclaimed portions of the toilet seat reducers and show unclaimed interior depths of the toilet seat reducers. The broken lines form no part of the claimed design.

**1 Claim, 19 Drawing Sheets**

(56)

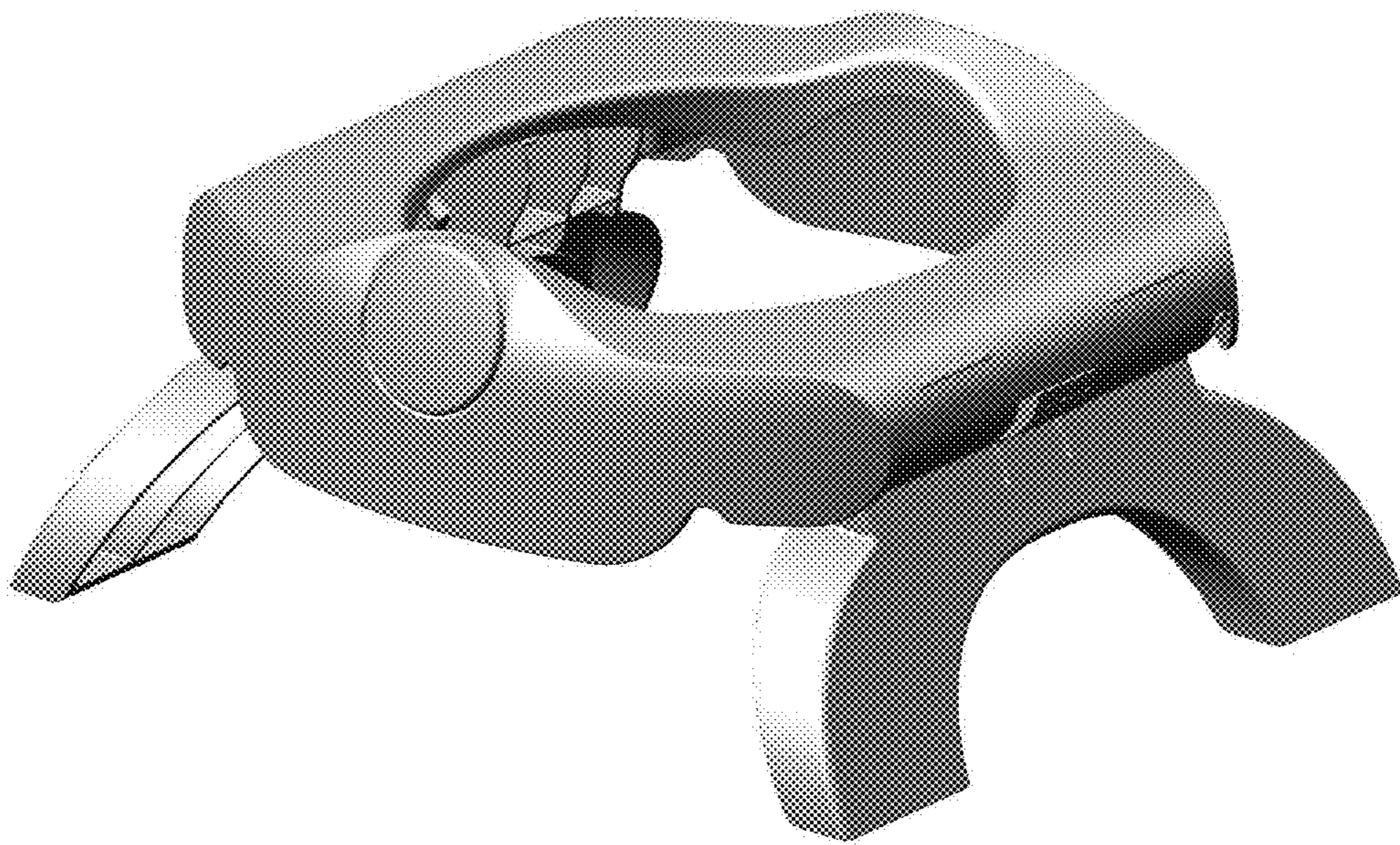
**References Cited**

U.S. PATENT DOCUMENTS

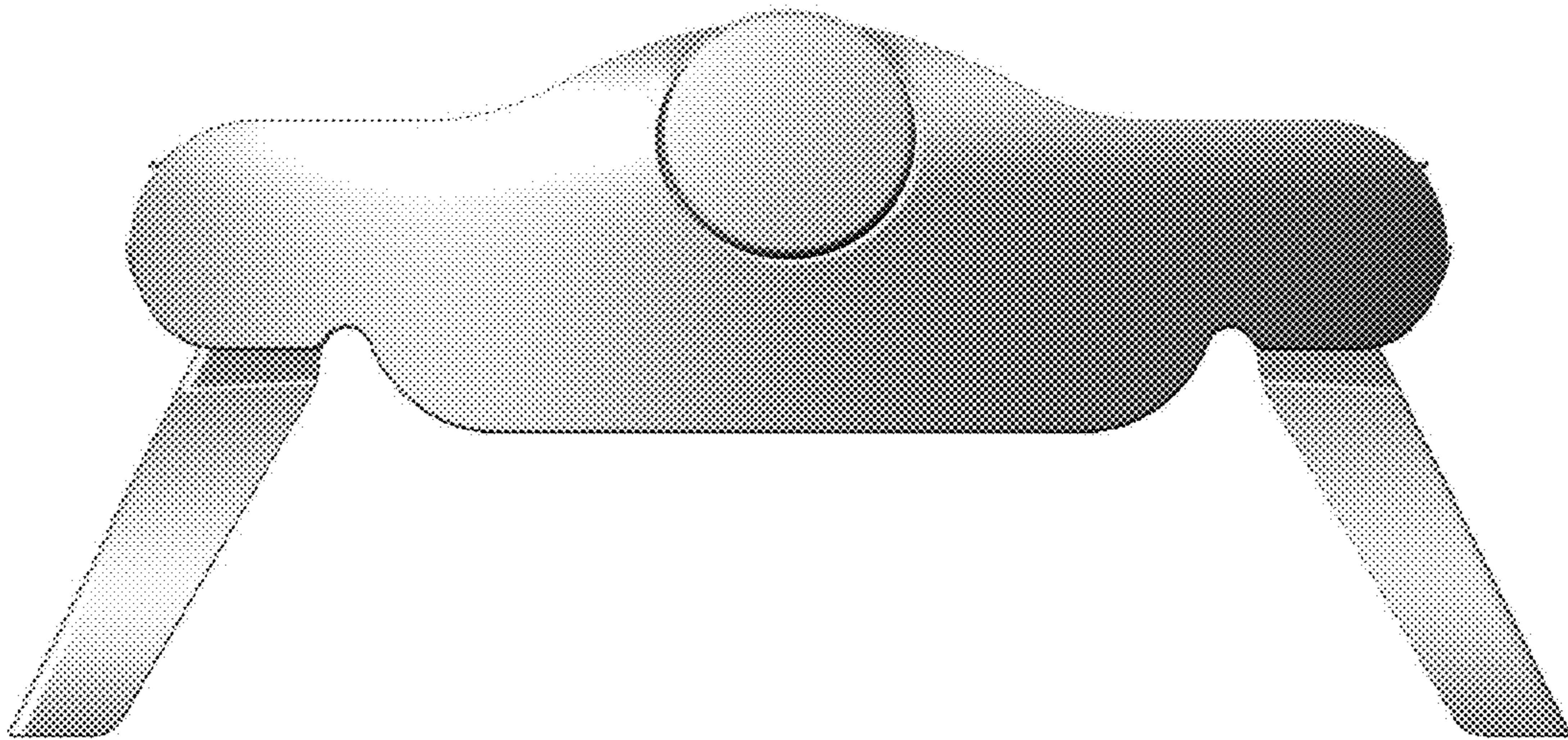
D570,970 S *	6/2008	Buitendach .....	D23/296
D583,032 S *	12/2008	Lovatt .....	D23/296
D600,786 S *	9/2009	Lovatt .....	D23/296
D621,489 S *	8/2010	Tu .....	D23/311
D671,625 S *	11/2012	Karmano .....	D23/296
D685,066 S *	6/2013	Erli .....	D23/296
D708,310 S *	7/2014	Rowland .....	D23/296
D738,475 S *	9/2015	Cohen .....	D23/296
2008/0022445 A1 *	1/2008	Sell .....	A47K 11/06 4/484

\* cited by examiner

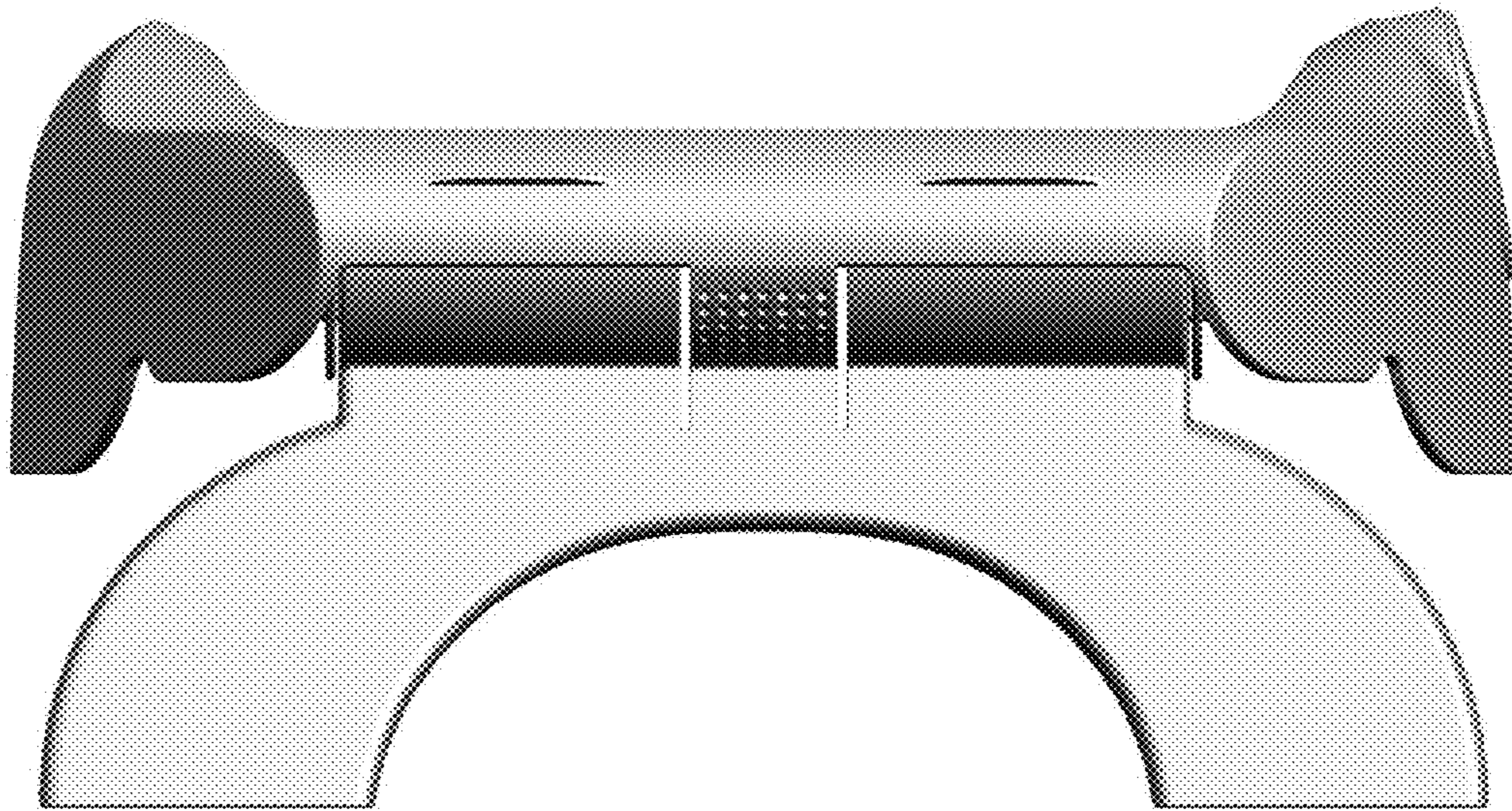
2.1



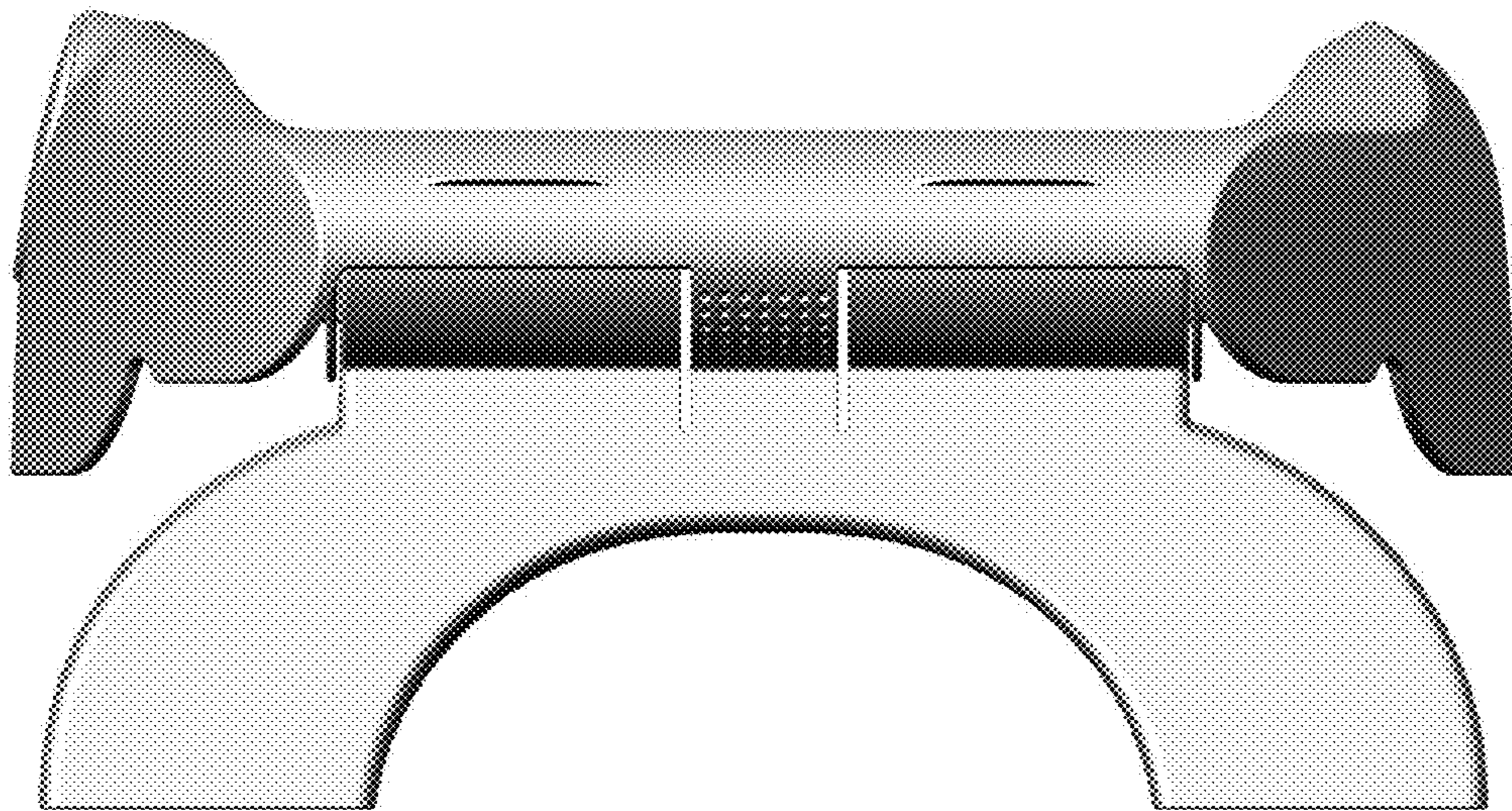
2.2



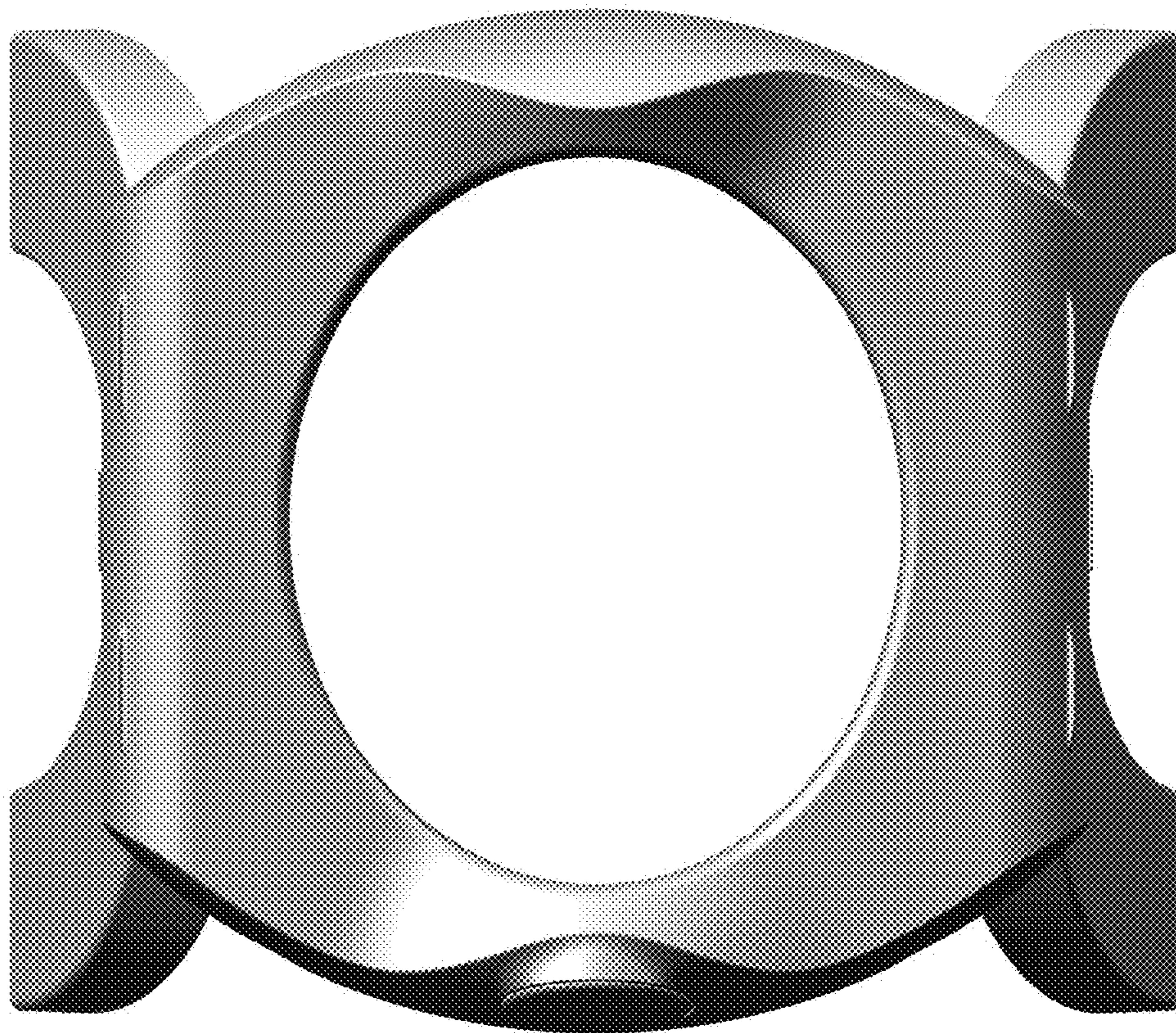
2.3



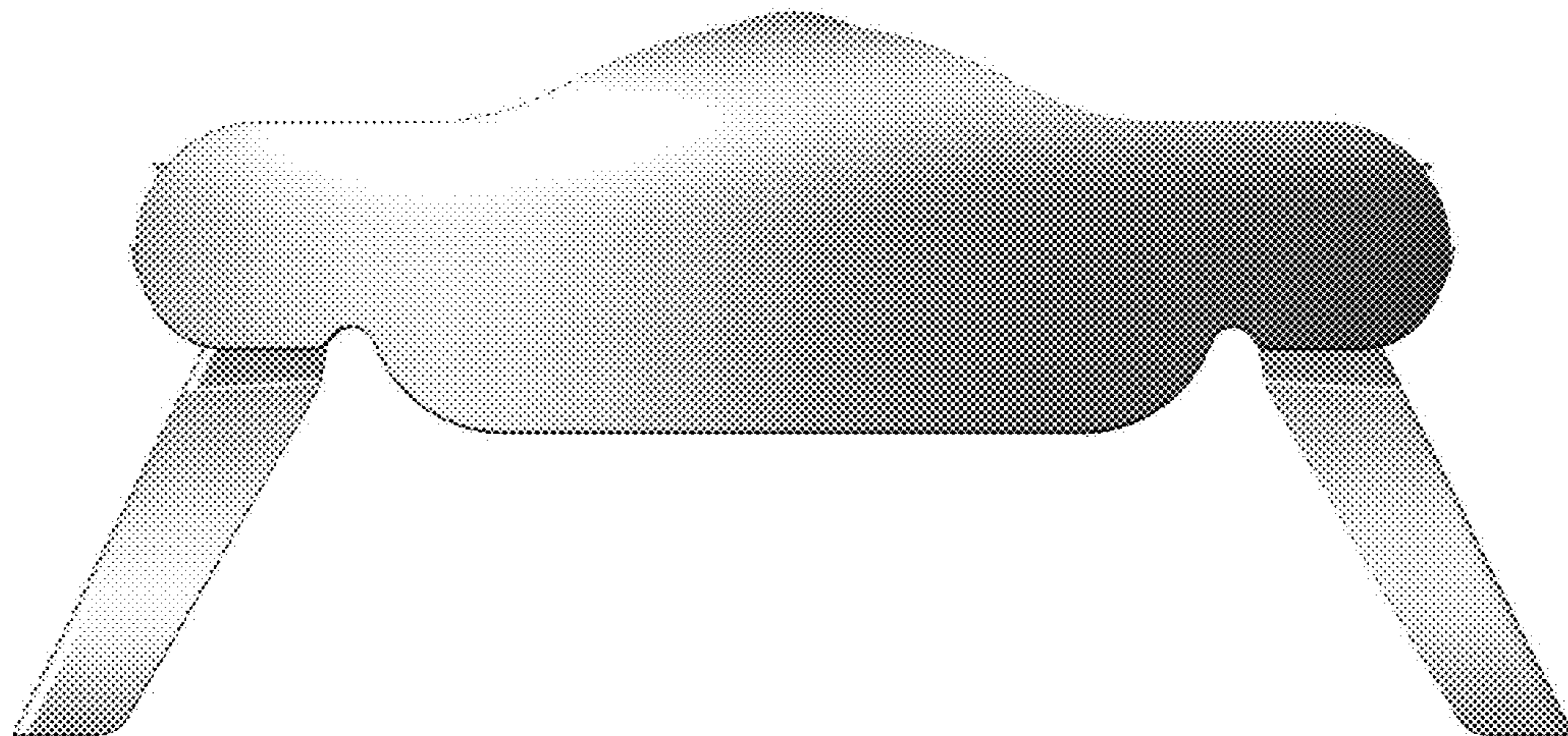
2.4



2.5

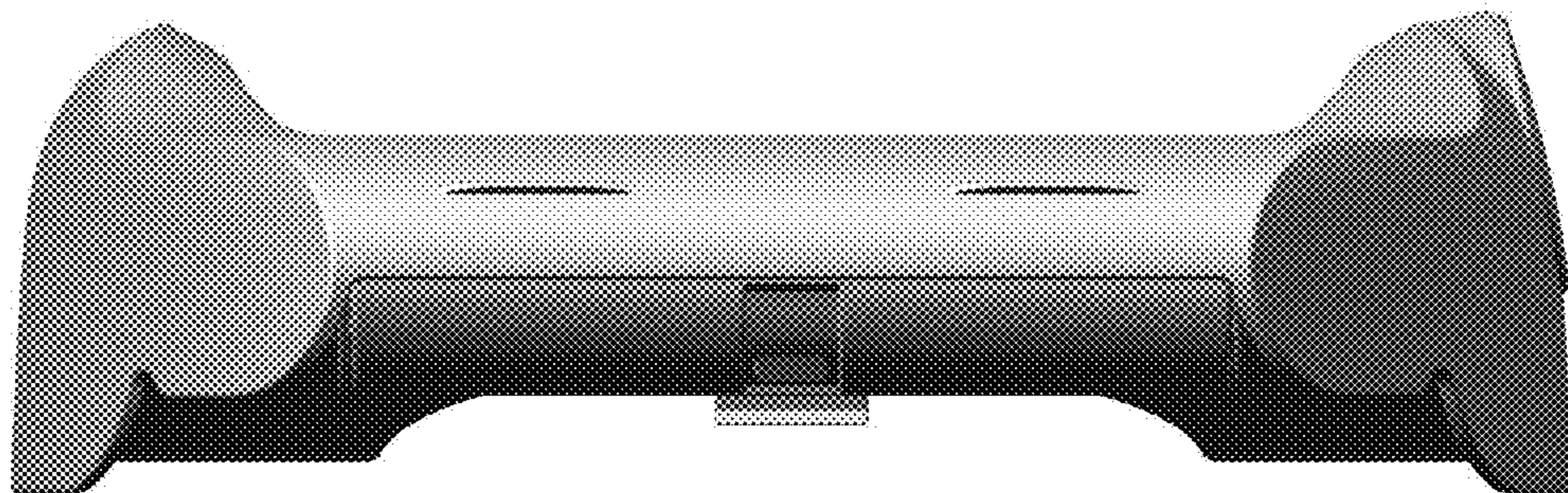


2.7

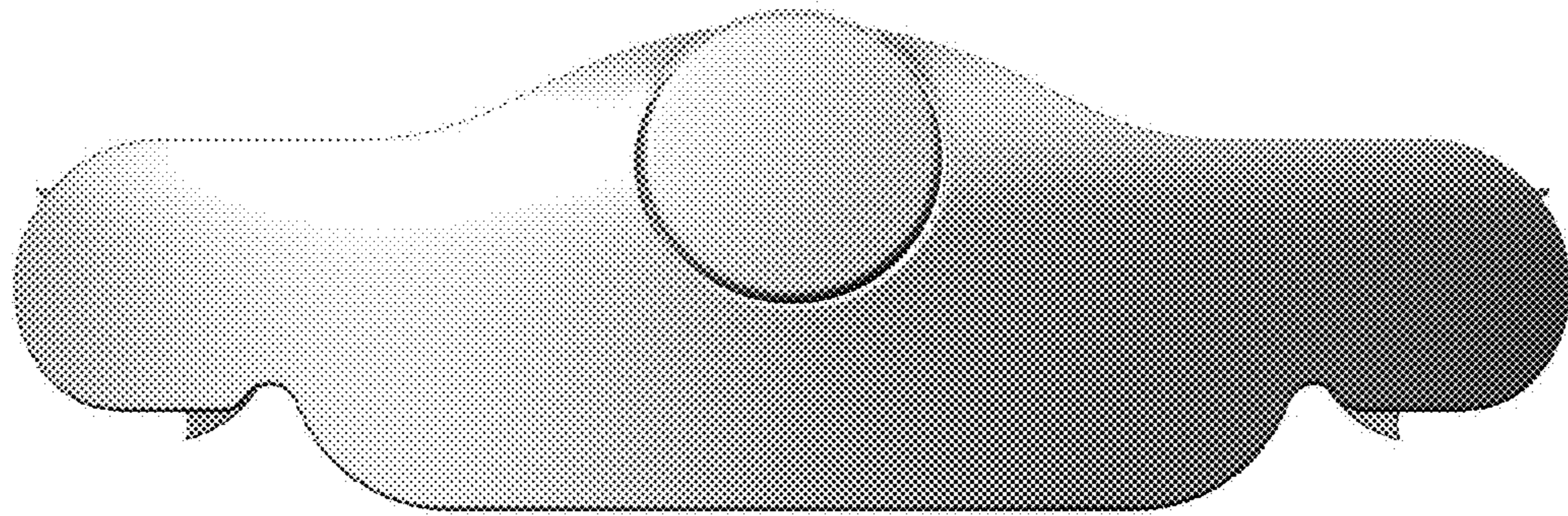




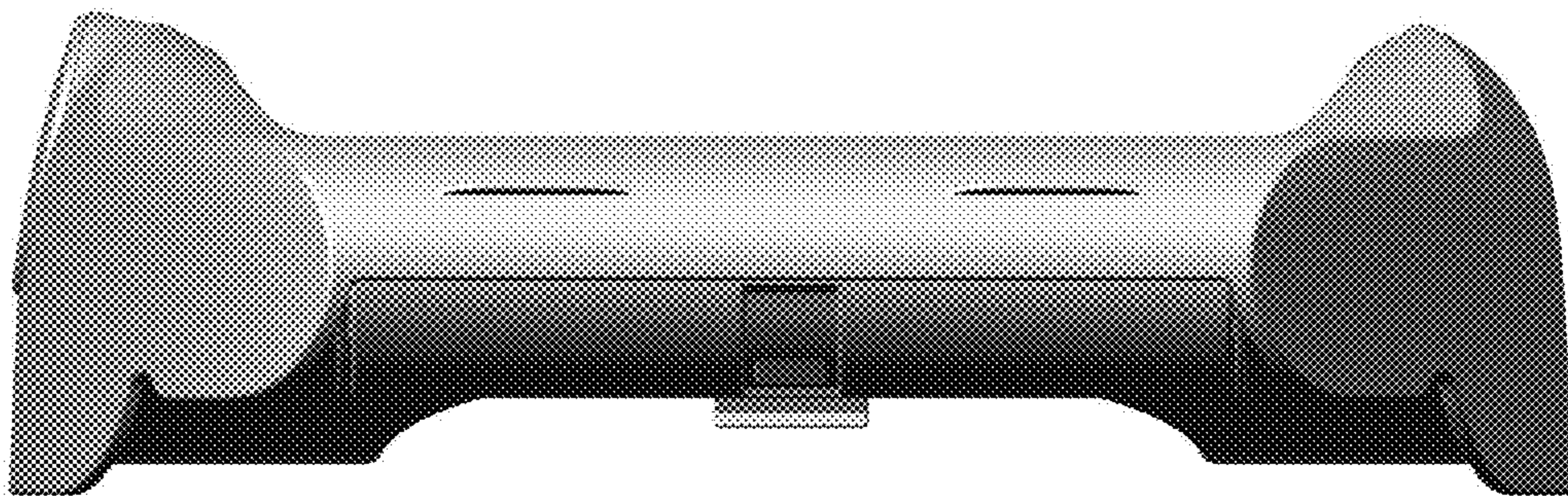
4.1



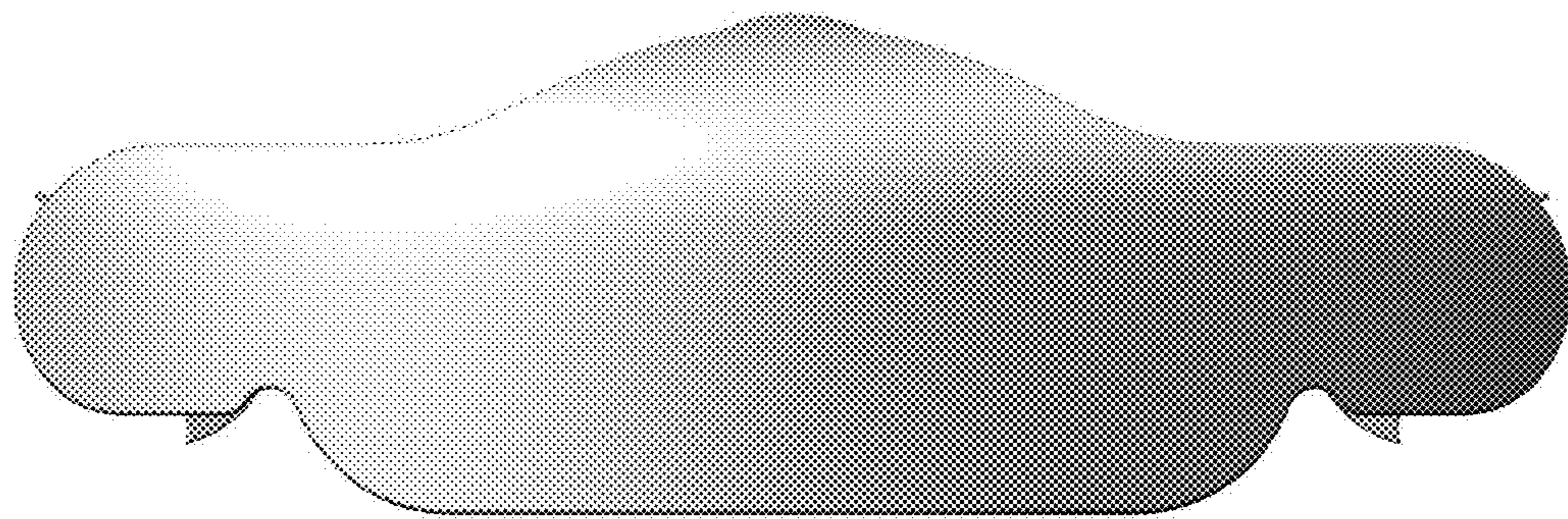
4.2



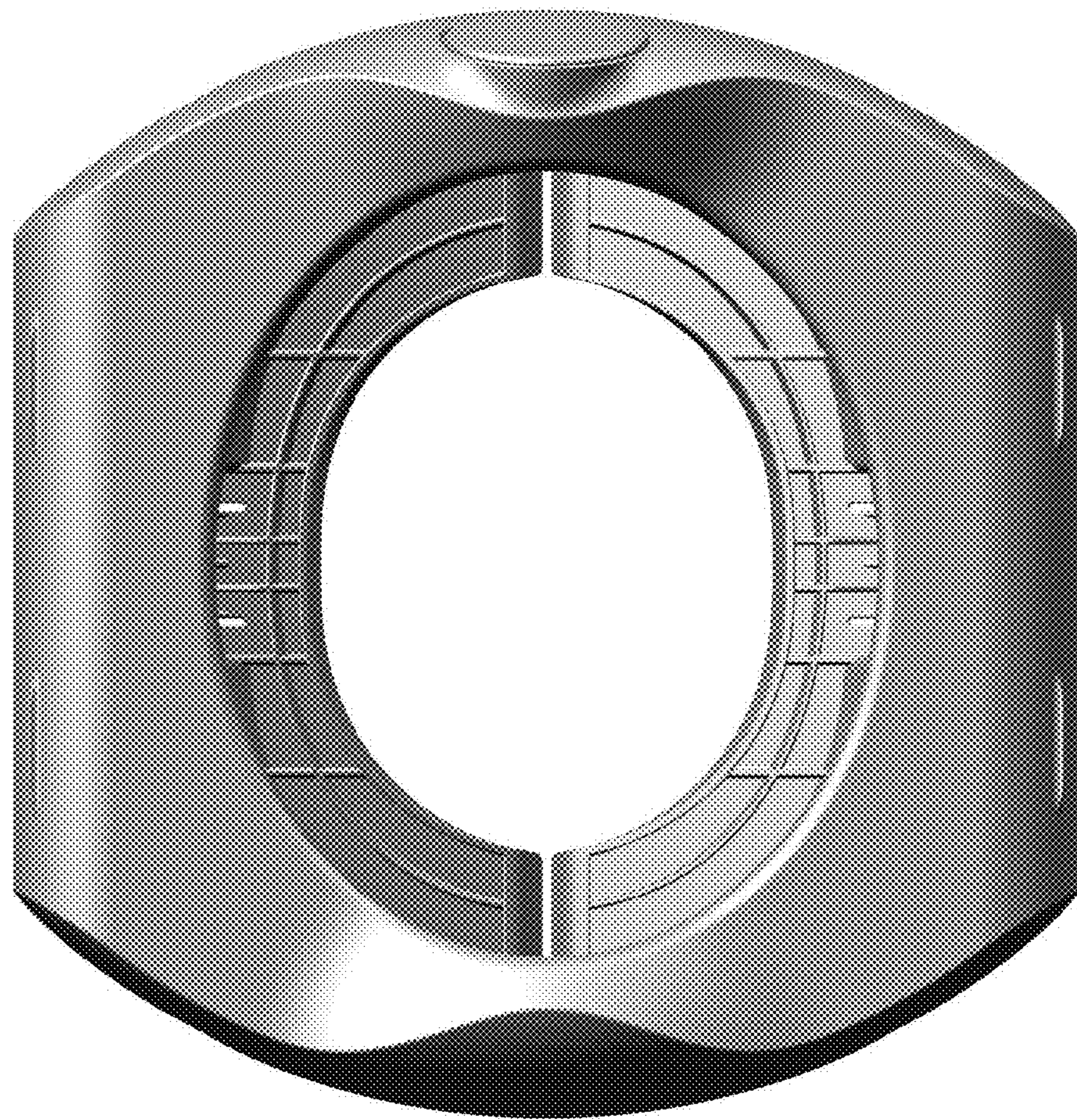
4.3



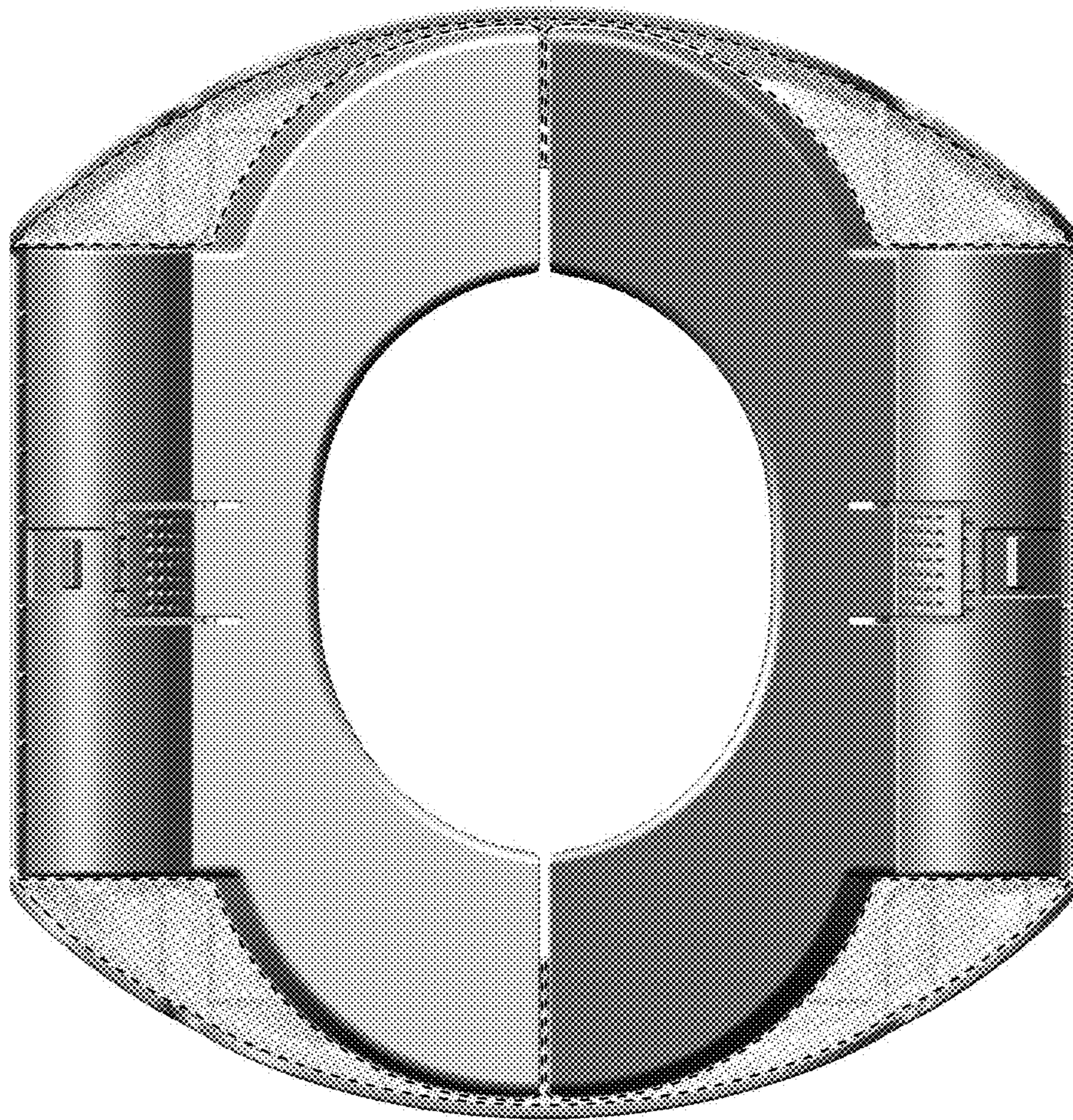
4.4



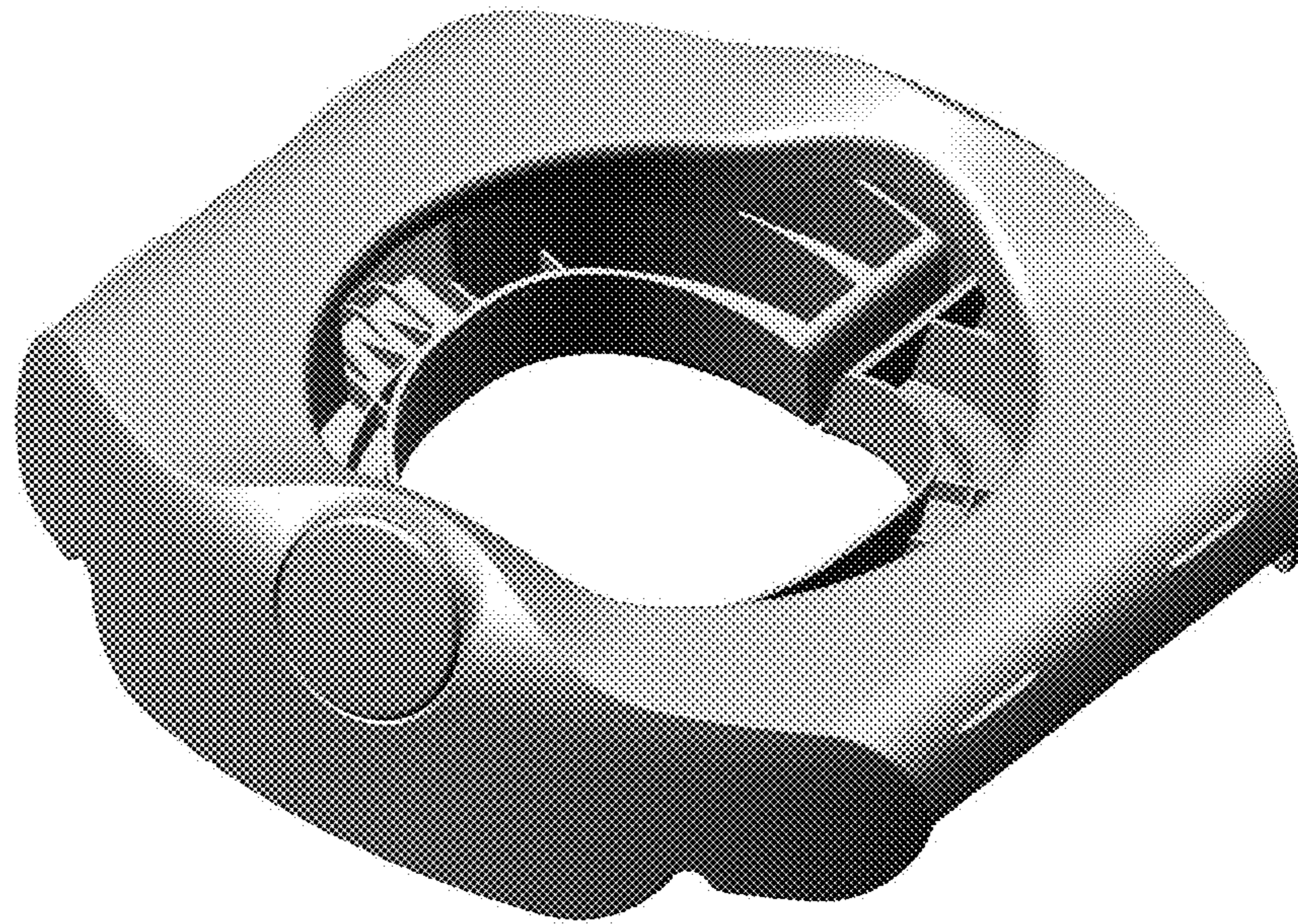
4.5



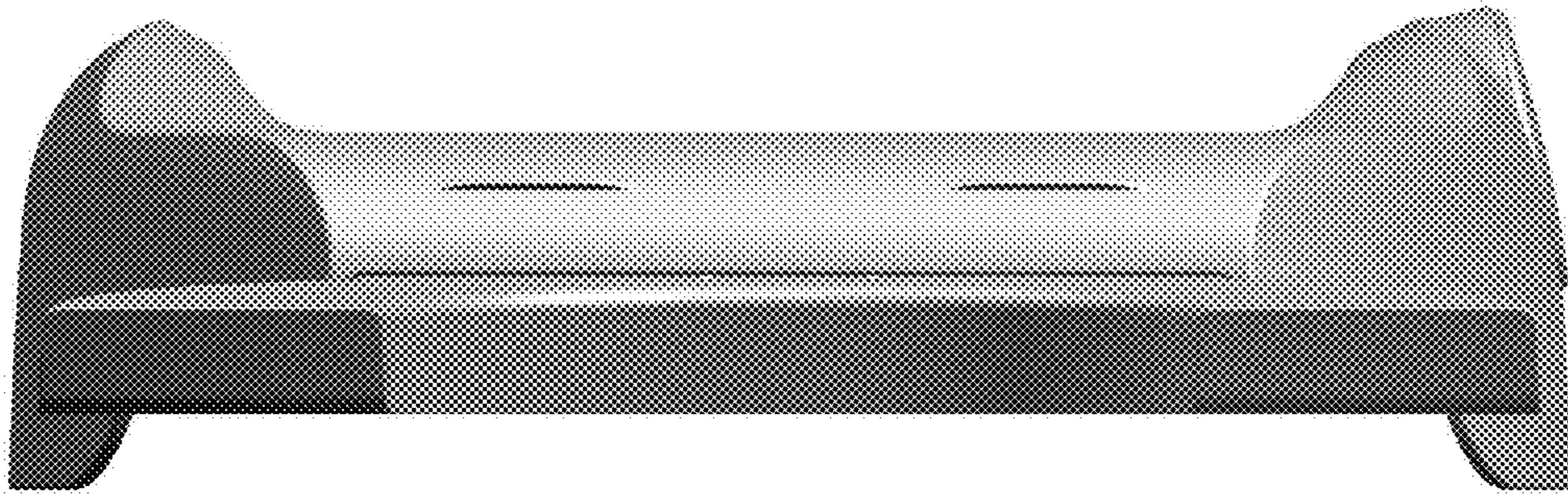
4.6



4.7

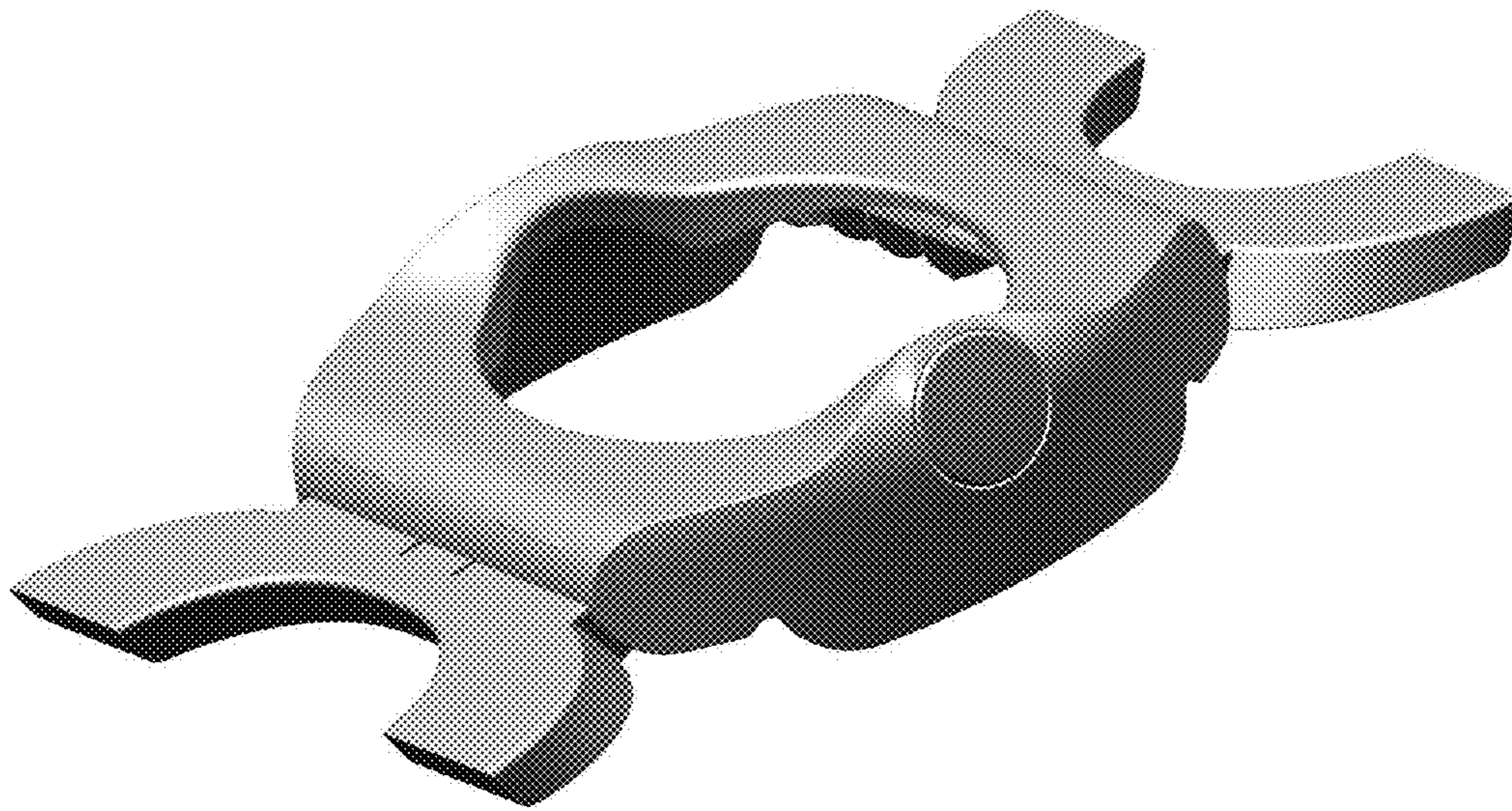


5.1





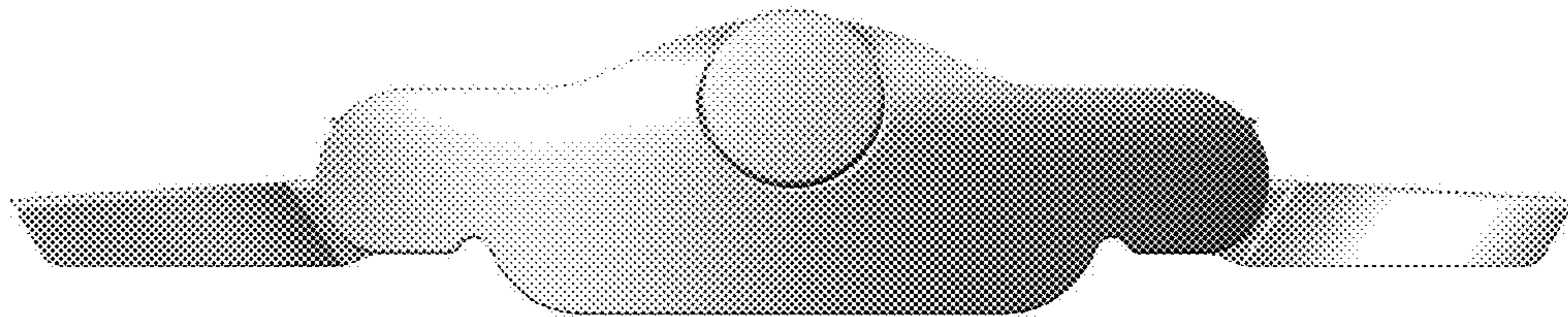
5.2



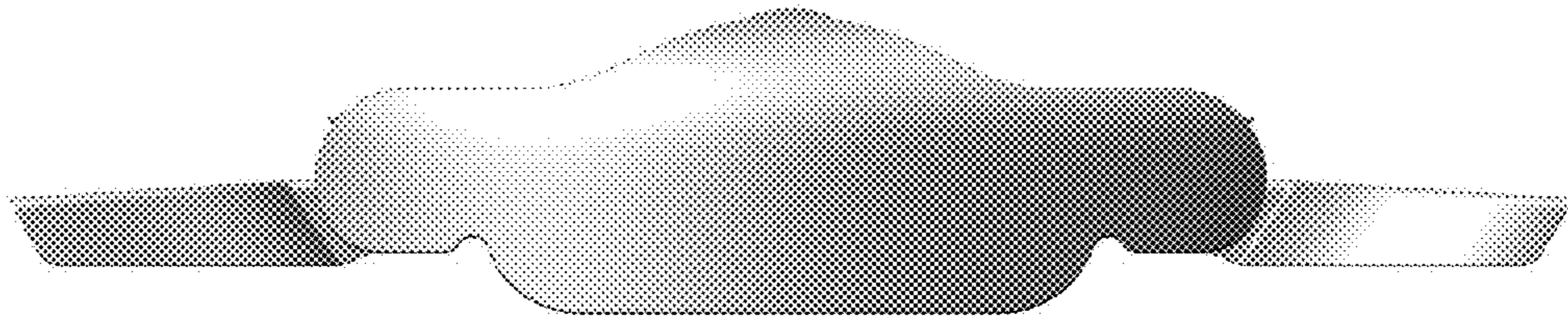
5.3



5.4



5.5



5.6

