



US00D834158S

(12) **United States Design Patent**
Quinn

(10) **Patent No.:** **US D834,158 S**

(45) **Date of Patent:** **** Nov. 20, 2018**

- (54) **SQUARE SINK**
- (71) Applicant: **Matthew Quinn**, Sugar Hill, GA (US)
- (72) Inventor: **Matthew Quinn**, Sugar Hill, GA (US)
- (73) Assignee: **MTI Batchs, Inc.**, Sugar Hill, GA (US)
- (**) Term: **15 Years**

- D607,979 S * 1/2010 Jiang D23/293.1
- 7,721,364 B2 * 5/2010 Pearson E03C 1/18
312/228
- D641,455 S * 7/2011 Euse D23/284
- 9,057,182 B1 * 6/2015 Friedman E03C 1/18
- D767,738 S * 9/2016 Osterroth D23/284
- D797,907 S * 9/2017 Esteve D23/293.1
- D826,386 S * 8/2018 Bomatter D23/293.1

* cited by examiner

- (21) Appl. No.: **29/610,425**
- (22) Filed: **Jul. 12, 2017**
- (51) **LOC (11) Cl.** **23-02**
- (52) **U.S. Cl.**
USPC **D23/293.1**
- (58) **Field of Classification Search**
USPC D23/284, 293.1, 303, 308
CPC E03C 1/18
See application file for complete search history.

Primary Examiner — Robert A Delehanty
(74) *Attorney, Agent, or Firm* — Stephen J. Stark; Miller & Martin PLLC

(57) **CLAIM**

The ornamental design for a square sink, as shown and described.

DESCRIPTION

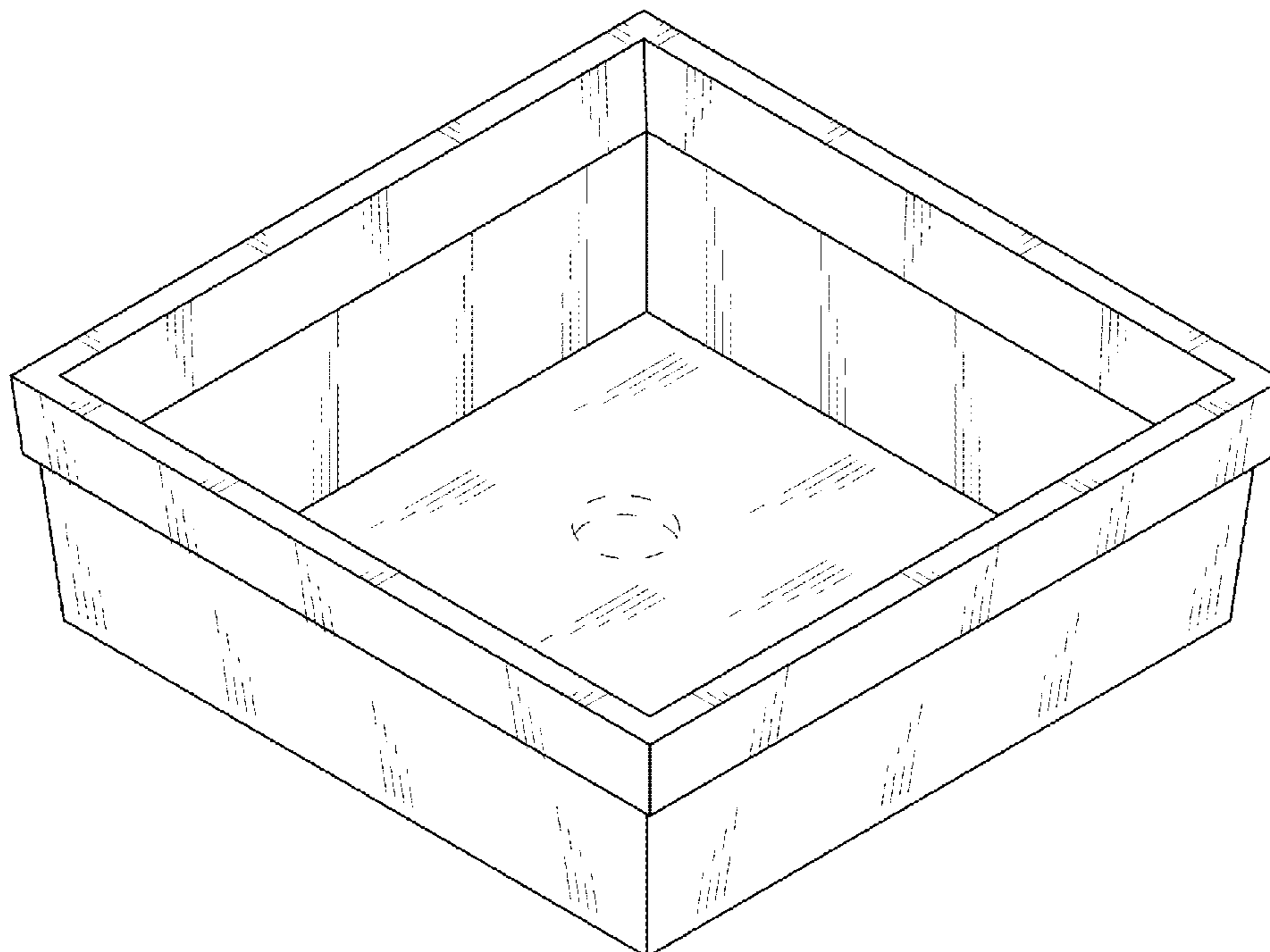
FIG. 1 is a top perspective view of a square sink embodying my new design;
FIG. 2 is a side plan view thereof, the front, back, left and right sides having the same image;
FIG. 3 is a top plan view thereof; and,
FIG. 4 is a bottom plan view thereof.
The broken lines shown in the drawings represent a hole in the sink and form no part of the claimed design.

(56) **References Cited**

U.S. PATENT DOCUMENTS

- D504,496 S * 4/2005 Bayer D23/293.1
- D505,188 S * 5/2005 Bayer D23/293.1
- D537,150 S * 2/2007 Morris D23/293.1
- D546,428 S * 7/2007 Mayer D23/293.1

1 Claim, 4 Drawing Sheets



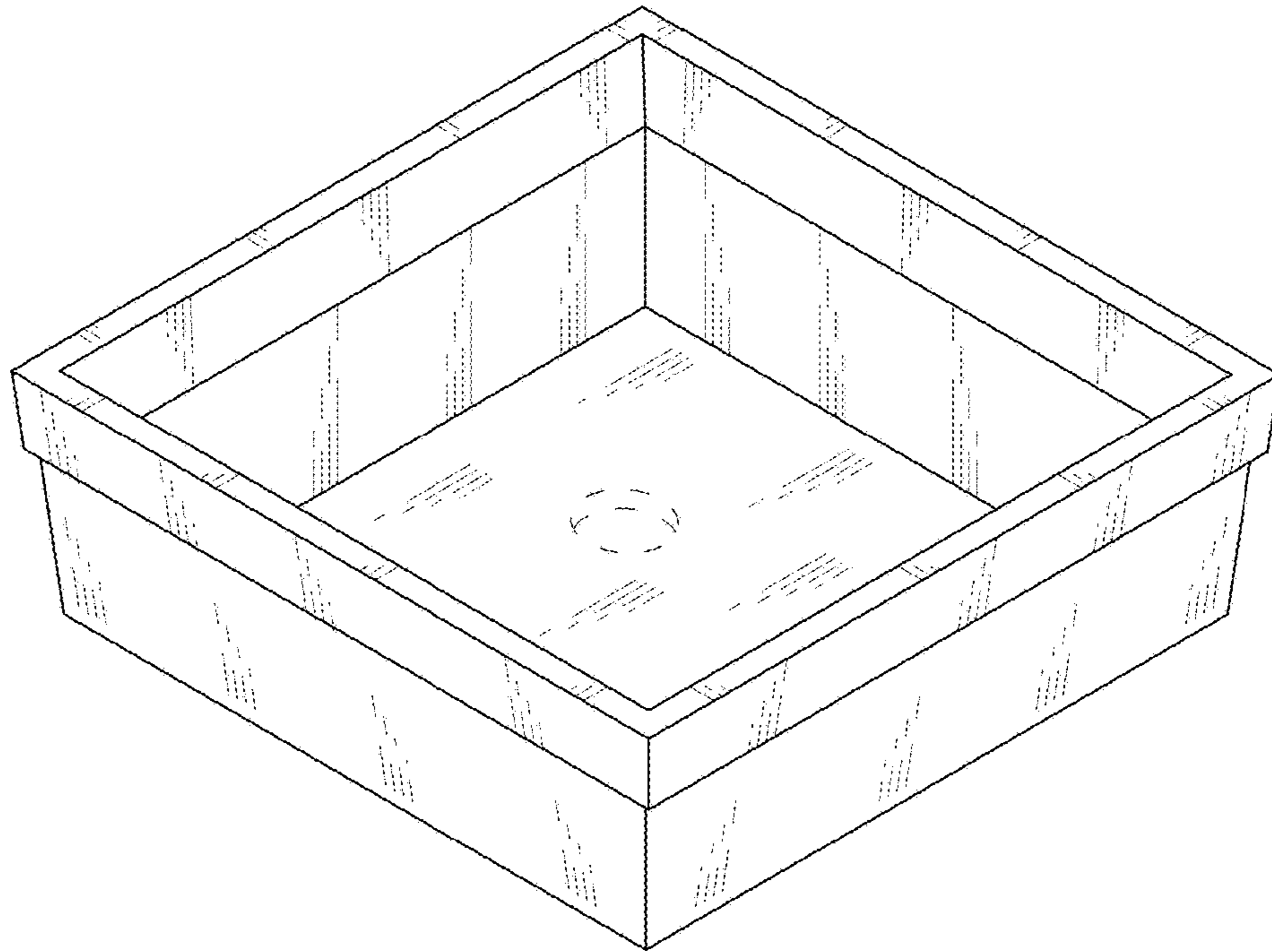


FIG. 1

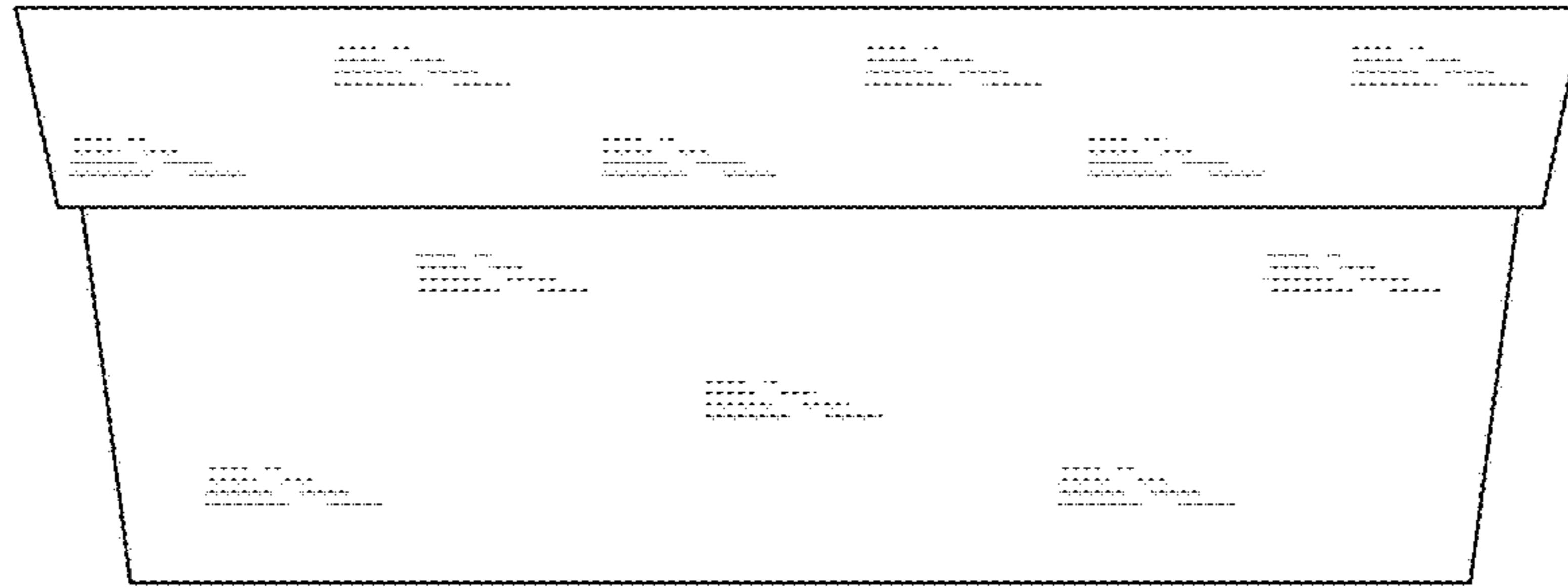


FIG. 2

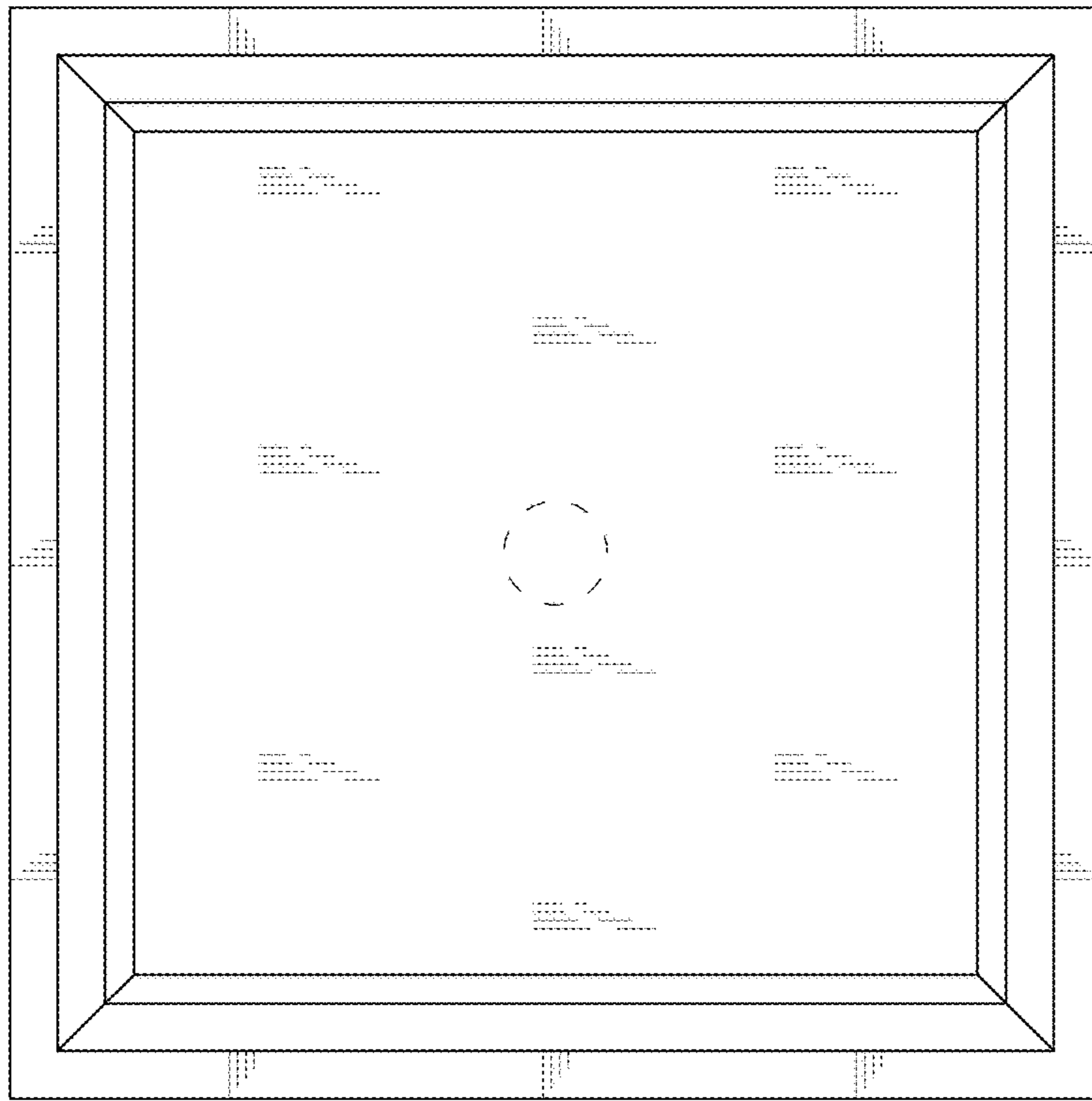


FIG. 3

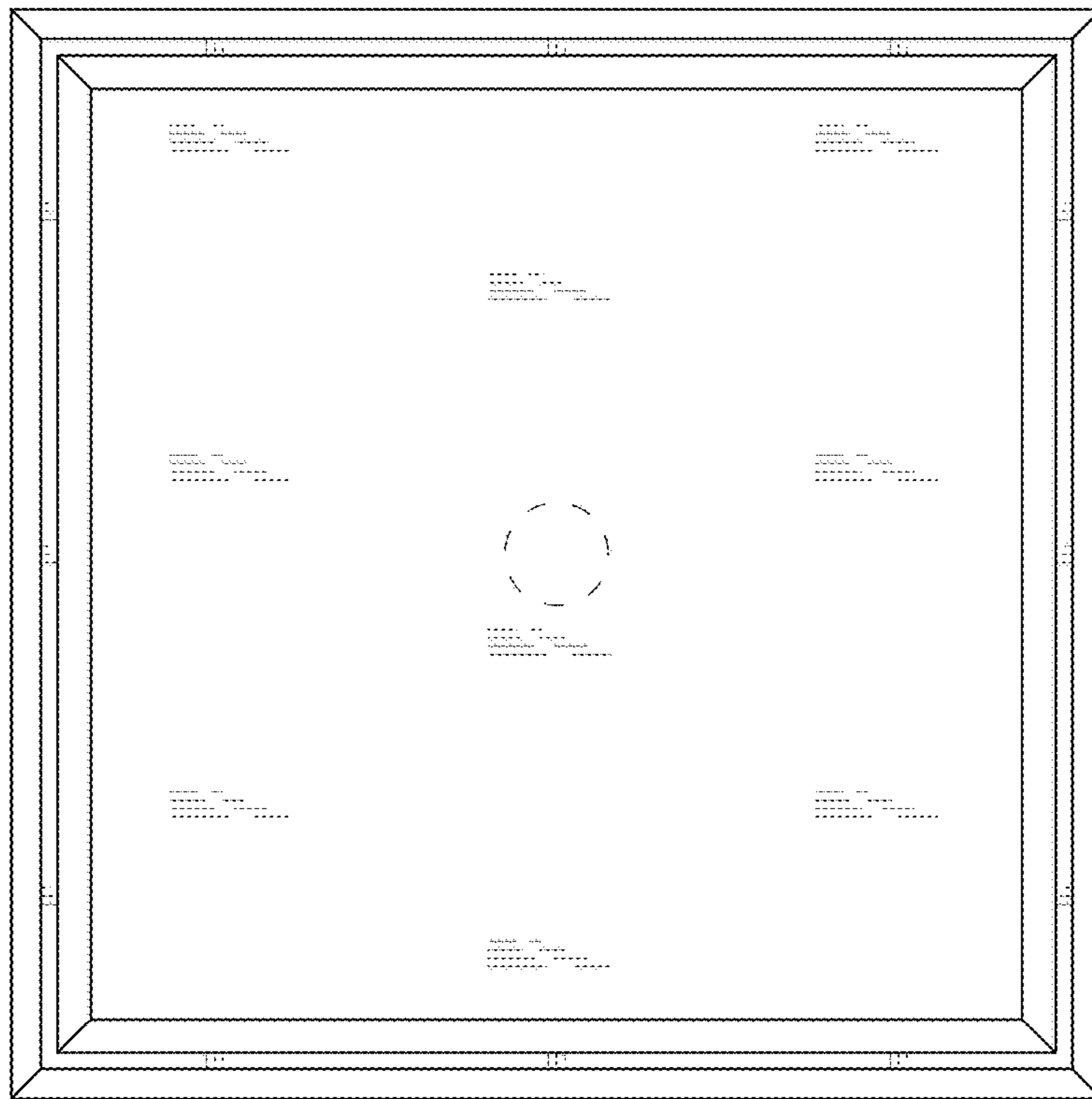


FIG. 4