



US00D834157S

(12) **United States Design Patent** (10) **Patent No.:** **US D834,157 S**
L'Henaff et al. (45) **Date of Patent:** **** Nov. 20, 2018**

(54) **TUB**
(71) Applicant: **AS IP Holdco, LLC**, Piscataway, NJ (US)
(72) Inventors: **Jean-Jacques L'Henaff**, New Canaan, CT (US); **Christophe Bucher**, Hillsborough, NJ (US); **Jacob Nitz**, Brooklyn, NY (US)
(73) Assignee: **AS IP HOLDCO, LLC**, Piscataway, NJ (US)
(**) Term: **15 Years**
(21) Appl. No.: **29/590,279**
(22) Filed: **Jan. 9, 2017**
(51) **LOC (11) Cl.** **23-02**
(52) **U.S. Cl.**
USPC **D23/277**
(58) **Field of Classification Search**
USPC ... D23/277-279, 280.1, 280.2, 280.3, 280.4, D23/304-310
CPC . A47K 3/006; A47K 3/02; A47K 3/04; A47K 3/022; E05C 9/16
See application file for complete search history.

D611,127 S * 3/2010 Urquiola D23/277
D633,603 S * 3/2011 Su D23/280.1
D711,517 S * 8/2014 Newson D23/280.1
D724,706 S * 3/2015 Meneghello D23/277
D737,416 S * 8/2015 Ahmes A47K 3/04
D745,645 S * 12/2015 Burke D23/277
D747,446 S * 1/2016 Yoshioka D23/277
D783,852 S * 4/2017 Collins D24/205

* cited by examiner

Primary Examiner — Celia A Murphy
Assistant Examiner — John A Voytek
(74) *Attorney, Agent, or Firm* — Morgan, Lewis & Bockius LLP

(57) **CLAIM**

The ornamental design for a tub, as shown and described.

DESCRIPTION

FIG. 1 is a front, top and right side perspective view of a tub showing the new design;
FIG. 2 is a right side elevational view thereof;
FIG. 3 is a left side elevational view thereof;
FIG. 4 is a front elevational view thereof;
FIG. 5 is a rear elevational view thereof;
FIG. 6 is a top plan view thereof; and,
FIG. 7 is a bottom plan view thereof.
The features shown in broken lines form no part of the claimed design.

(56) **References Cited**

U.S. PATENT DOCUMENTS

D526,055 S * 8/2006 Obara D23/280.1
D595,392 S * 6/2009 Verlinden D23/278

1 Claim, 5 Drawing Sheets

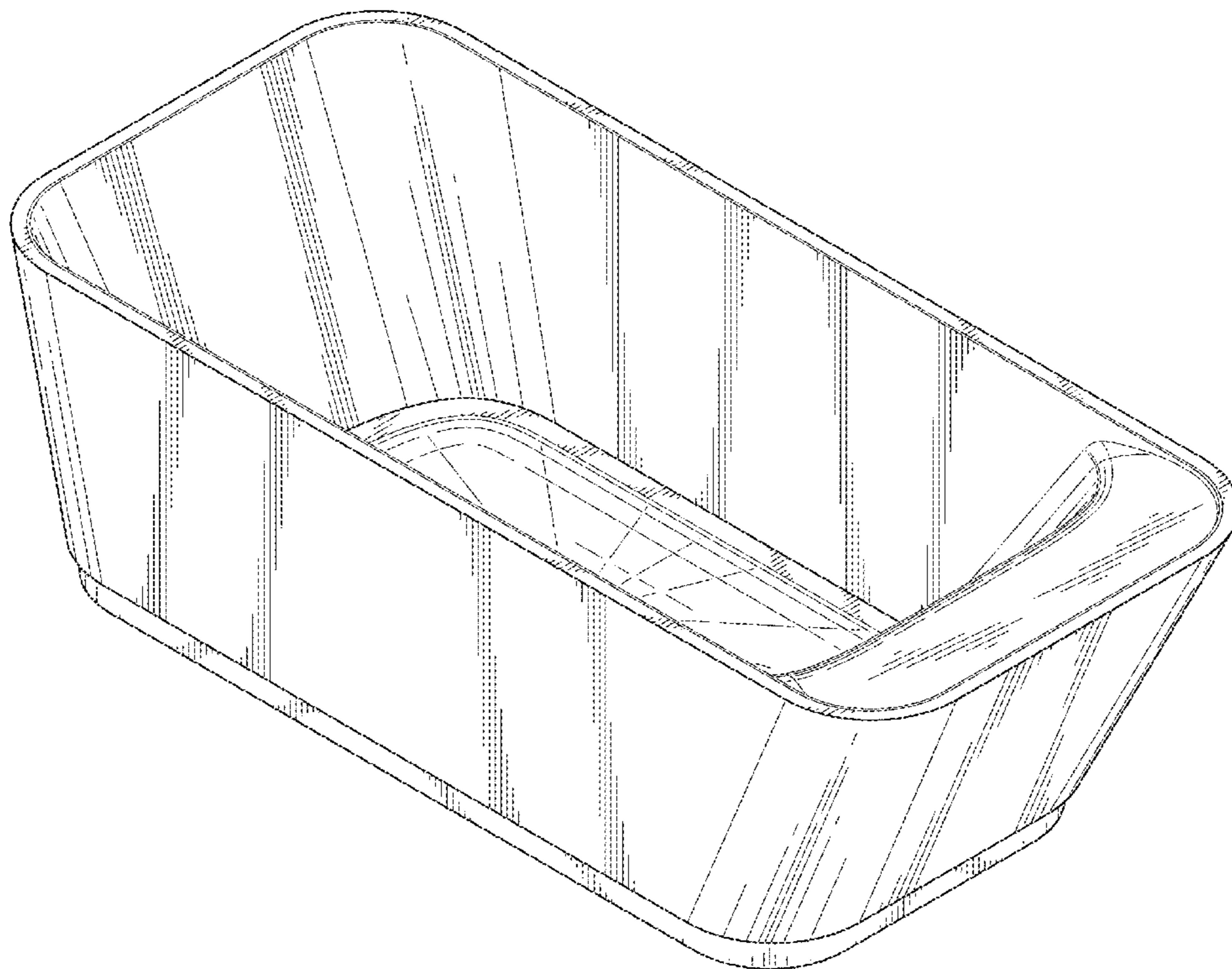


FIG. 1

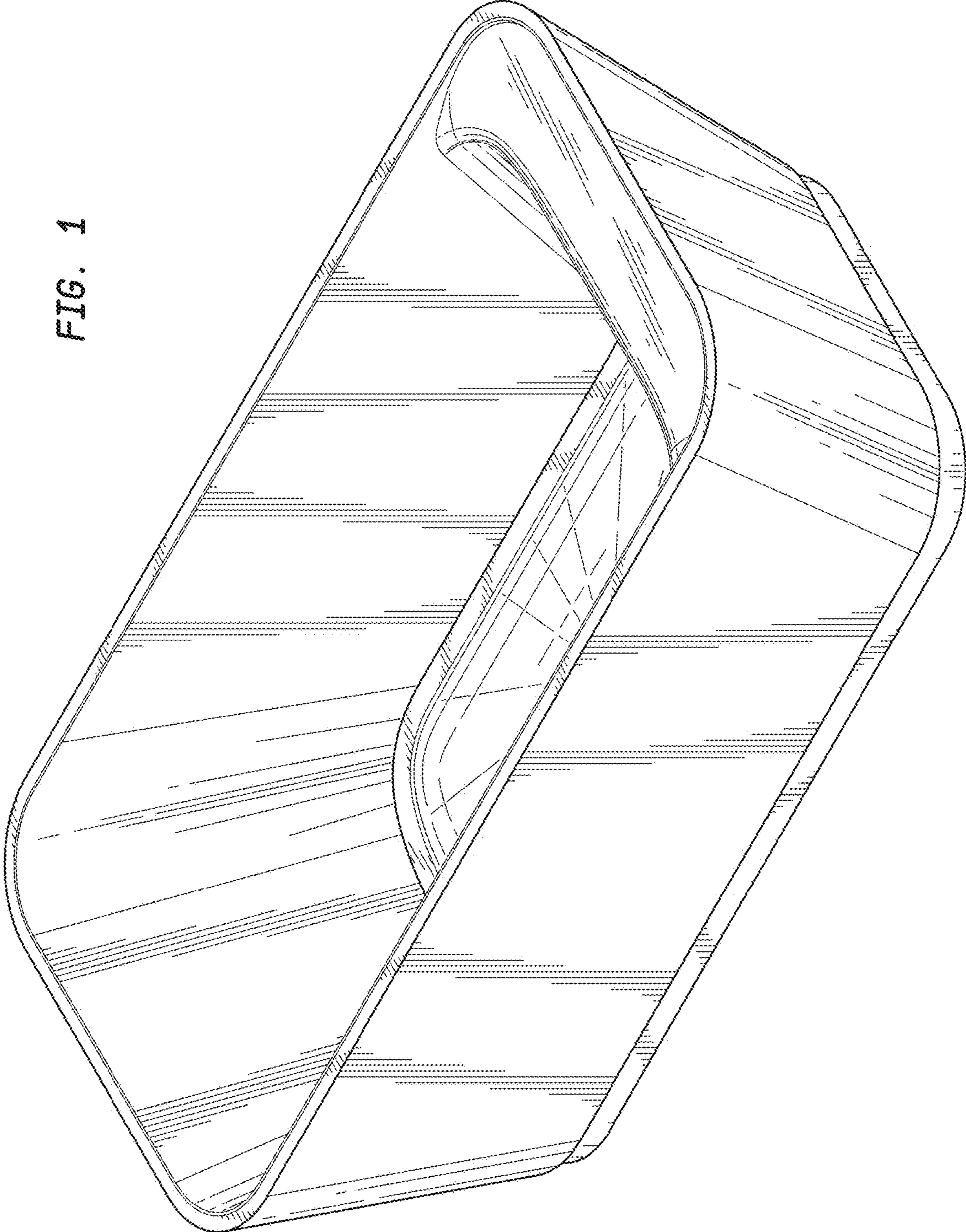


FIG. 2

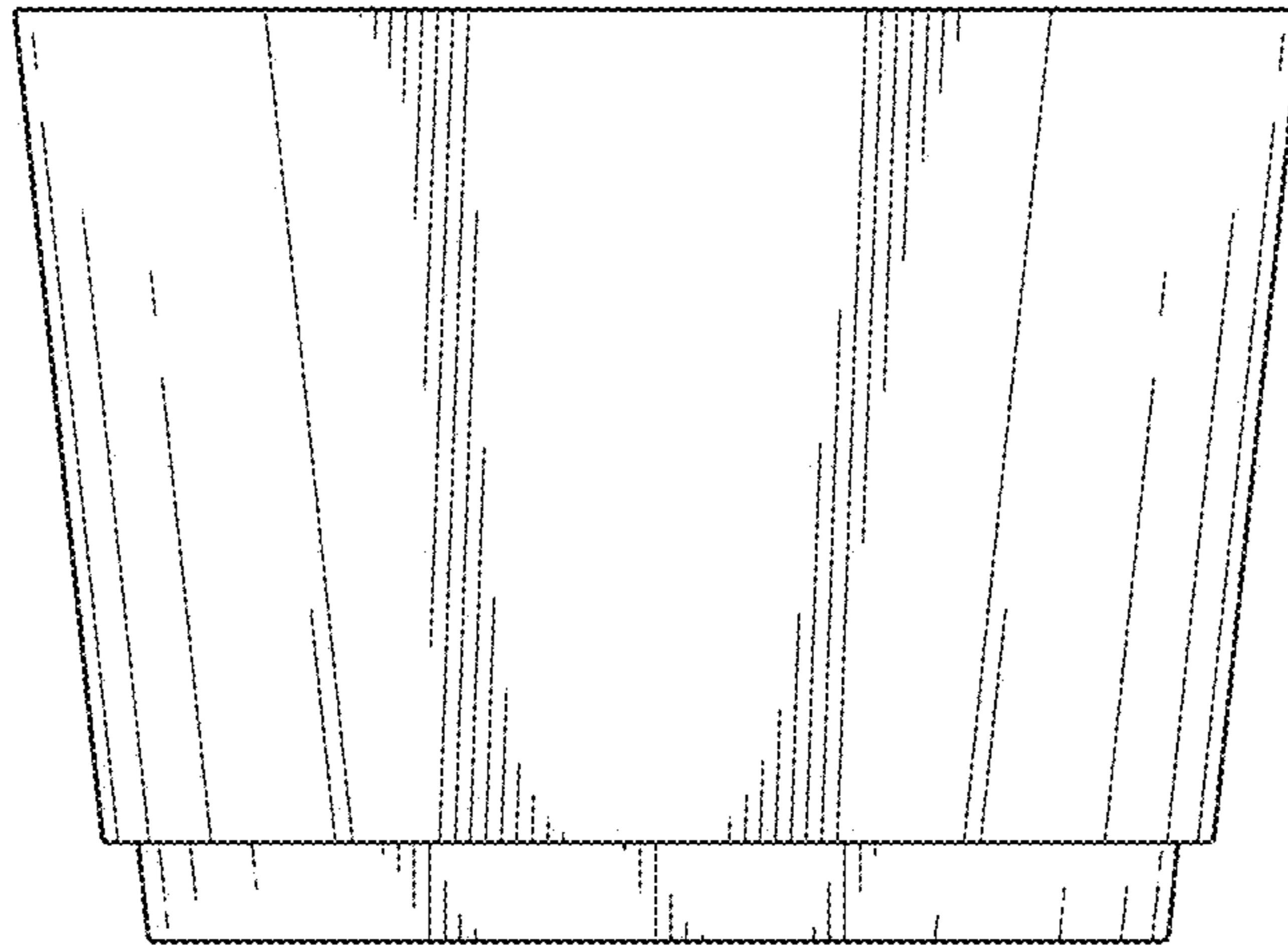


FIG. 3

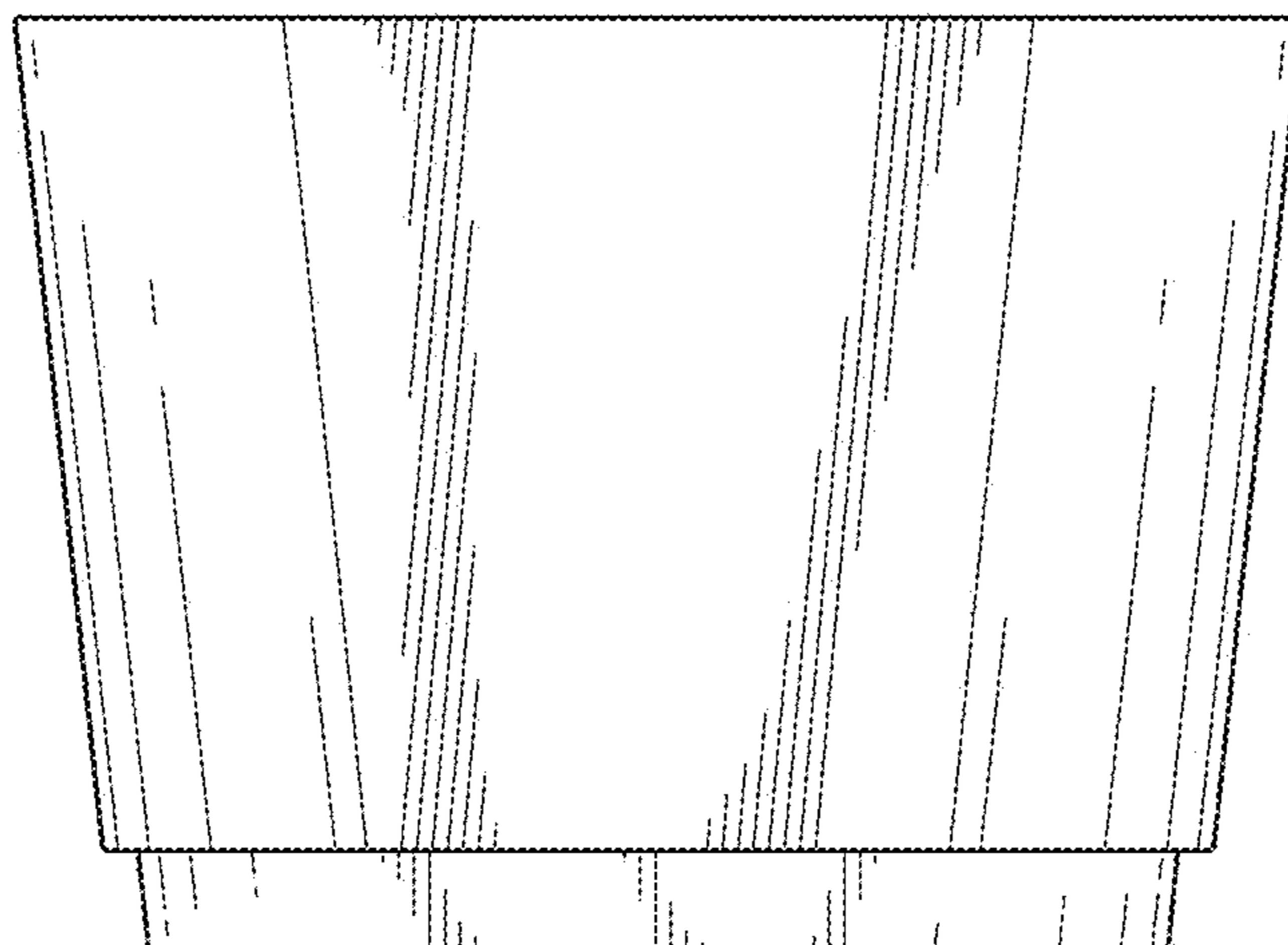


FIG. 4

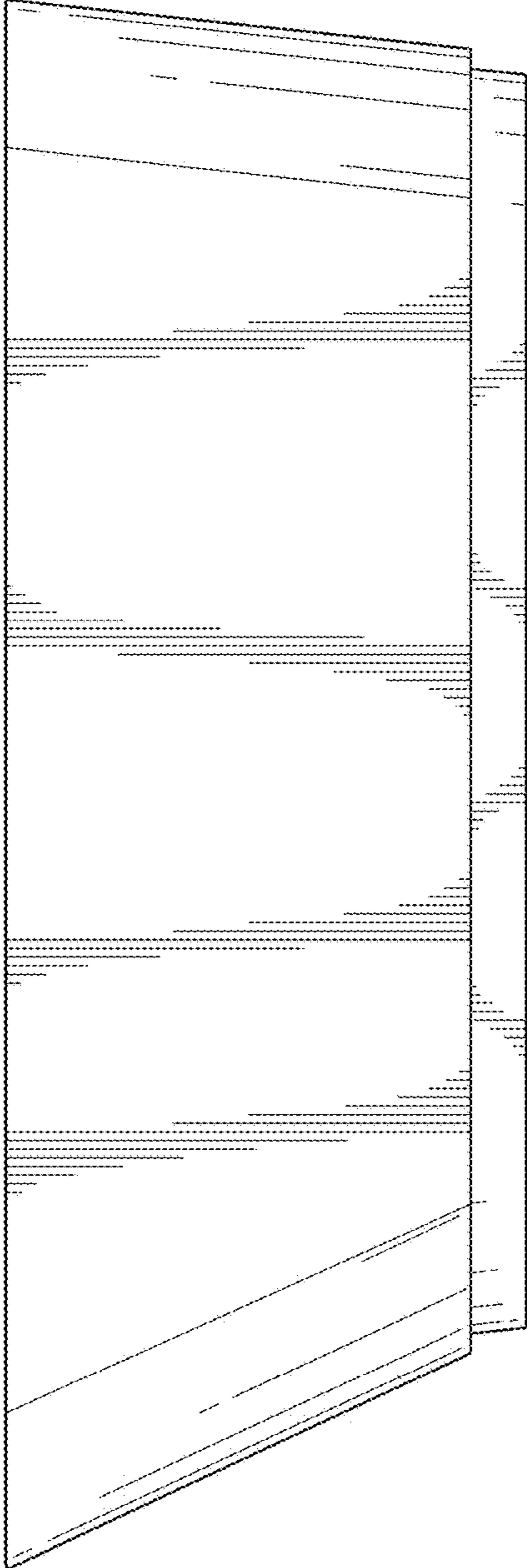


FIG. 5

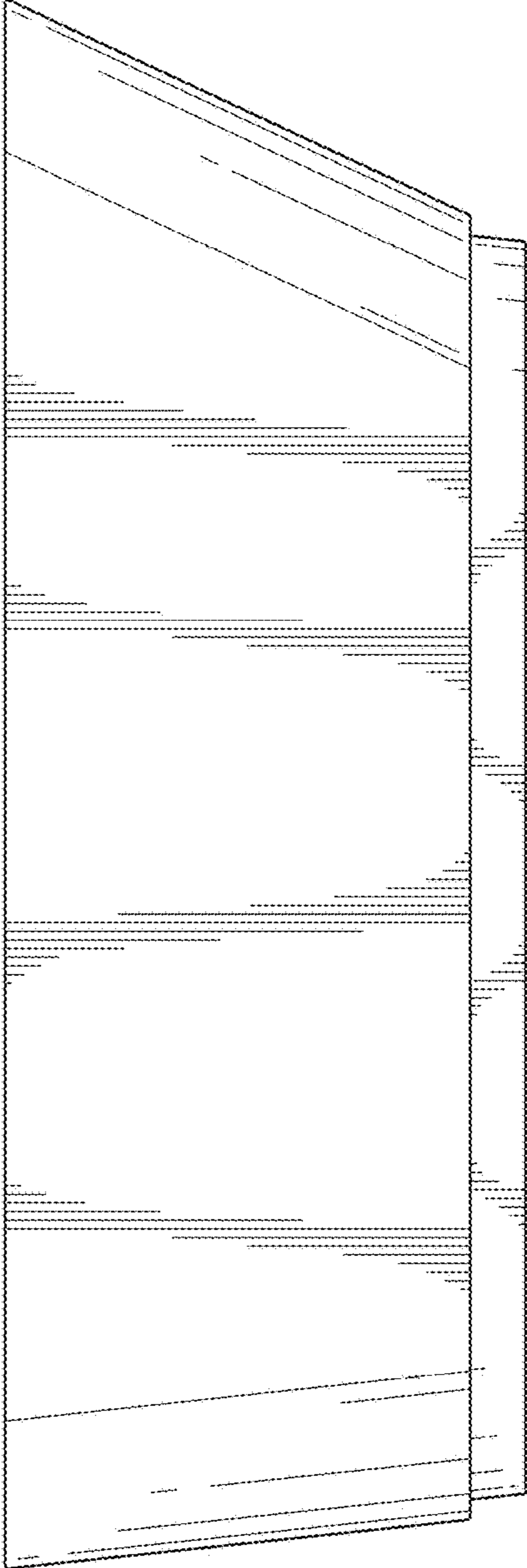


FIG. 6

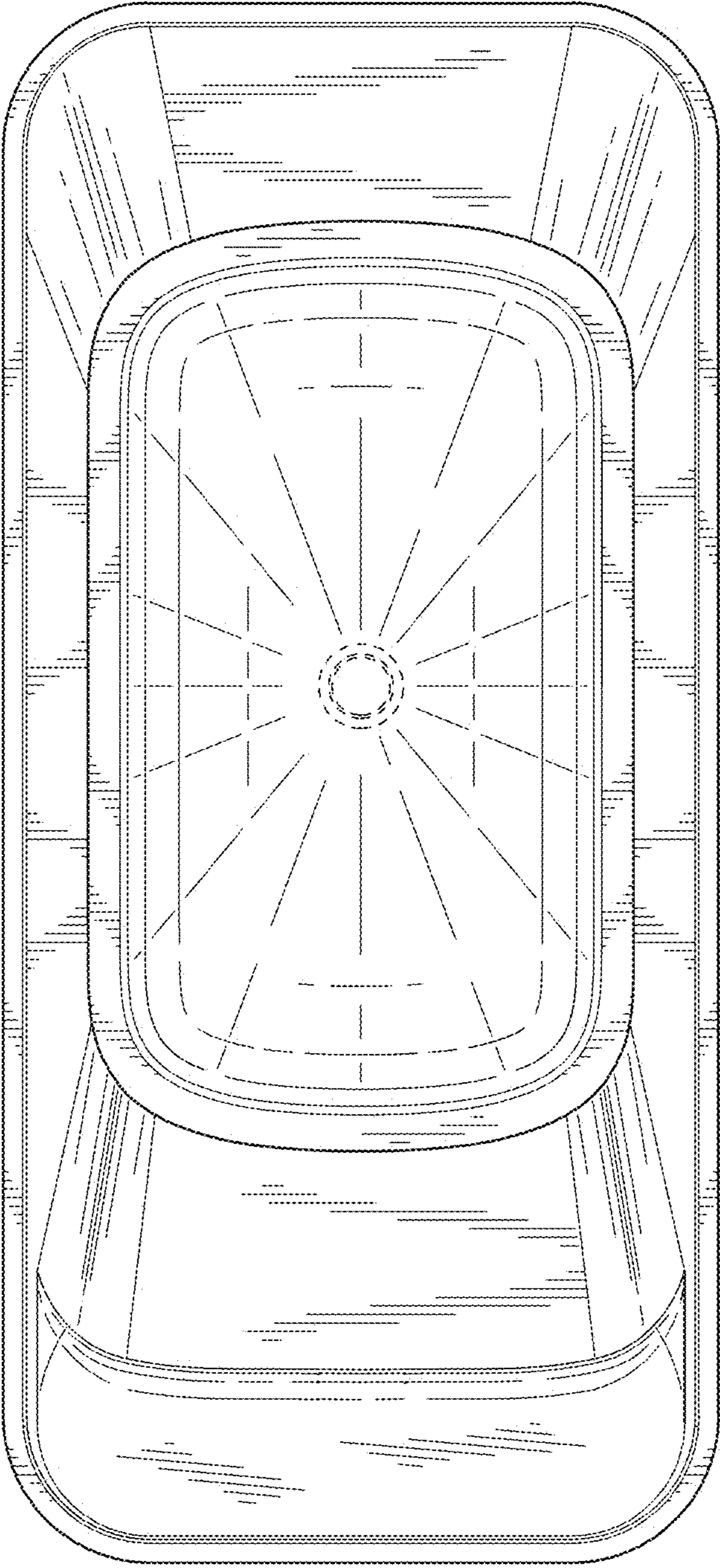


FIG. 7

