



US00D834156S

(12) **United States Design Patent** (10) **Patent No.:** **US D834,156 S**
Soria (45) **Date of Patent:** **** Nov. 20, 2018**

(54) **VALVE SLEEVE**
(71) Applicant: **FLSmidth A/S**, Valby (DK)
(72) Inventor: **Daniel Soria**, Tucson, AZ (US)
(73) Assignee: **FLSMIDTH A/S**, Valby (DK)
(**) Term: **15 Years**

D437,034 S * 1/2001 Stout, Jr. D23/269
D447,223 S * 8/2001 Mattsson D23/269
D525,685 S * 7/2006 Walton D23/269
D574,934 S * 8/2008 Darce D23/269
D665,491 S * 8/2012 Goel D15/144
D681,176 S * 4/2013 Chacko D23/269
D785,144 S * 4/2017 Kitagawa D23/269
2006/0163520 A1* 7/2006 Shakagori F16K 1/2265
251/359
2010/0117019 A1* 5/2010 Hubacek F16K 5/0668
251/359

(21) Appl. No.: **29/622,434**
(22) Filed: **Oct. 17, 2017**
(51) **LOC (11) Cl.** **23-01**
(52) **U.S. Cl.**
USPC **D23/269**
(58) **Field of Classification Search**
USPC D23/233-237, 241-250, 365, 269;
251/148, 364, 45, 90, 93, 344, 214, 314,
251/306, 359; 137/231, 371; D15/5;
123/188.5, 81 C, 190.12, 65 VA, 80 C
CPC F16K 1/42; F16K 11/0716; F16K 1/126;
F16K 3/243; F16K 3/265; F16K 3/0227;
F16K 1/2268; F16K 31/445; F16K
5/0663

* cited by examiner
Primary Examiner — Cynthia Ramirez
Assistant Examiner — Gino Colan
(74) *Attorney, Agent, or Firm* — Jeffrey A. Sharp; Daniel DeJoseph

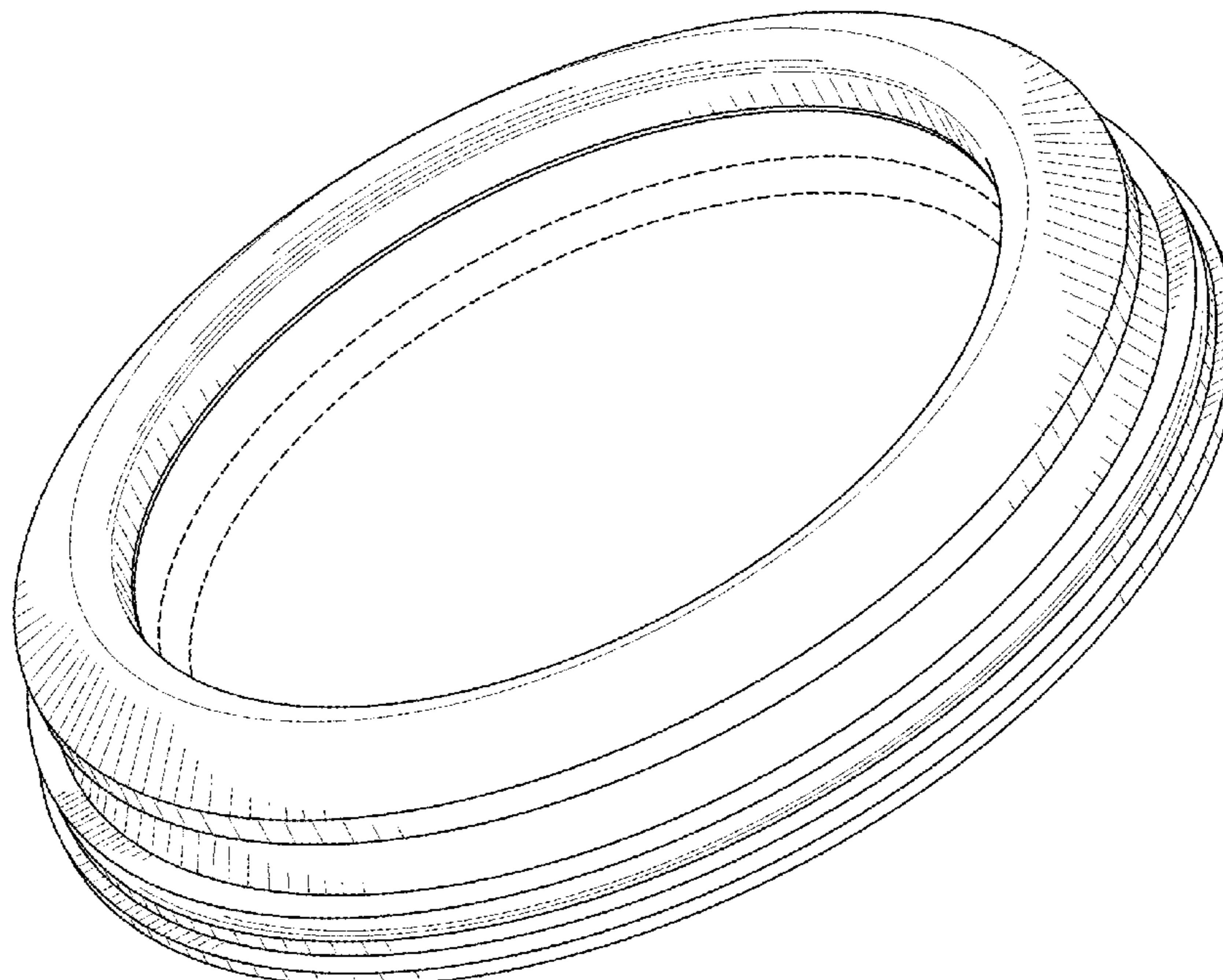
See application file for complete search history.

(56) **References Cited**
U.S. PATENT DOCUMENTS
D330,073 S * 10/1992 Valls D23/269
D374,710 S * 10/1996 Gustafsson D23/269
D379,493 S * 5/1997 Woods D23/269
D380,039 S * 6/1997 Sutherland D23/269
D391,628 S * 3/1998 Carwile D23/269

(57) **CLAIM**
The ornamental design for a valve sleeve, as shown and described.

DESCRIPTION
FIG. 1 is a perspective view.
FIG. 2 is a top view.
FIG. 3 is a front side view
FIG. 4 is a bottom view.
FIG. 5 is a cross sectional view taken from lines 5-5 in FIG. 2; and,
FIG. 6 is a close-up cross sectional view taken from lines 5-5 in FIG. 2.
The broken lines shown in the figures are for the purpose of illustrating portions of the valve sleeve and form no part of the claimed design.

1 Claim, 3 Drawing Sheets



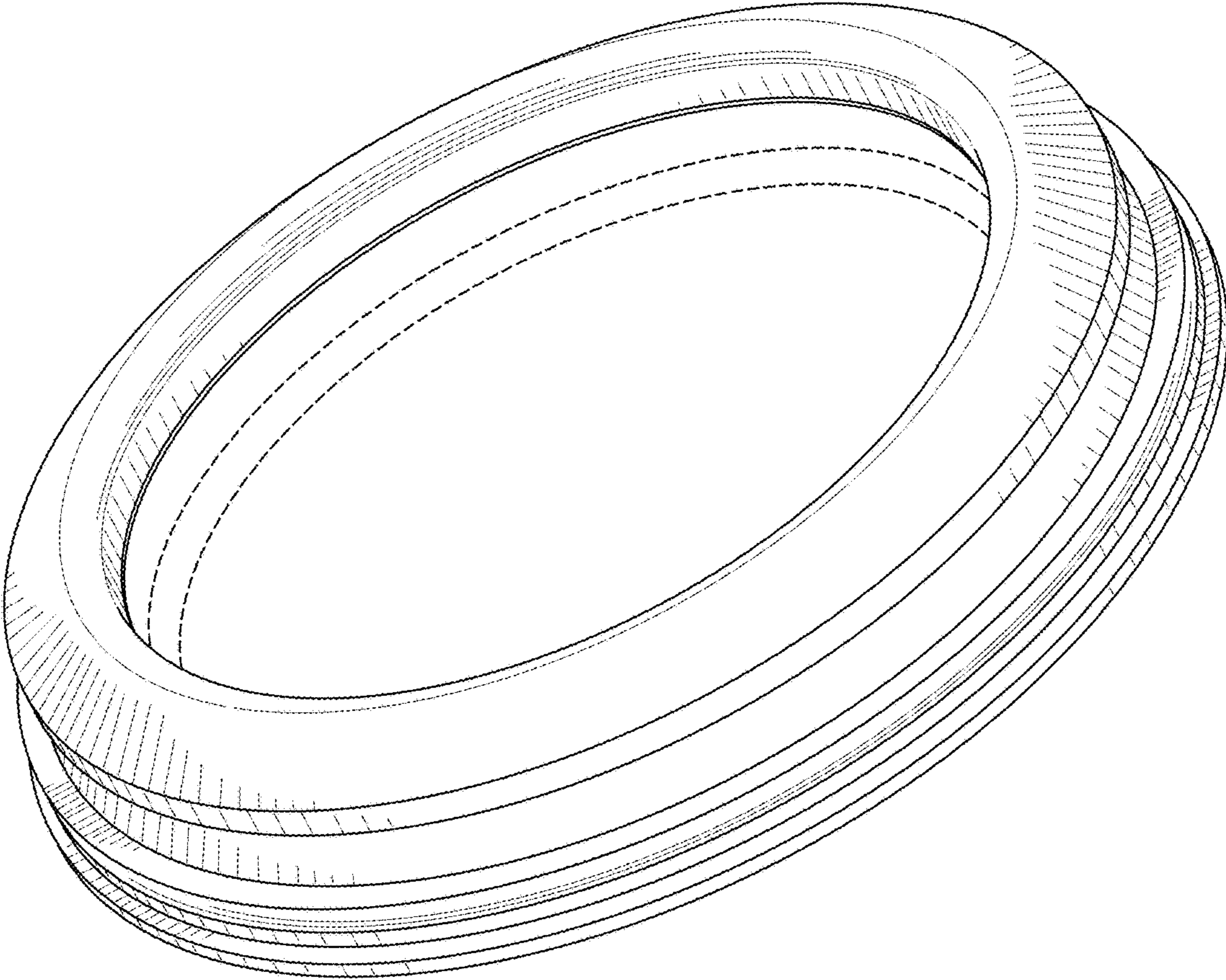


FIG. 1

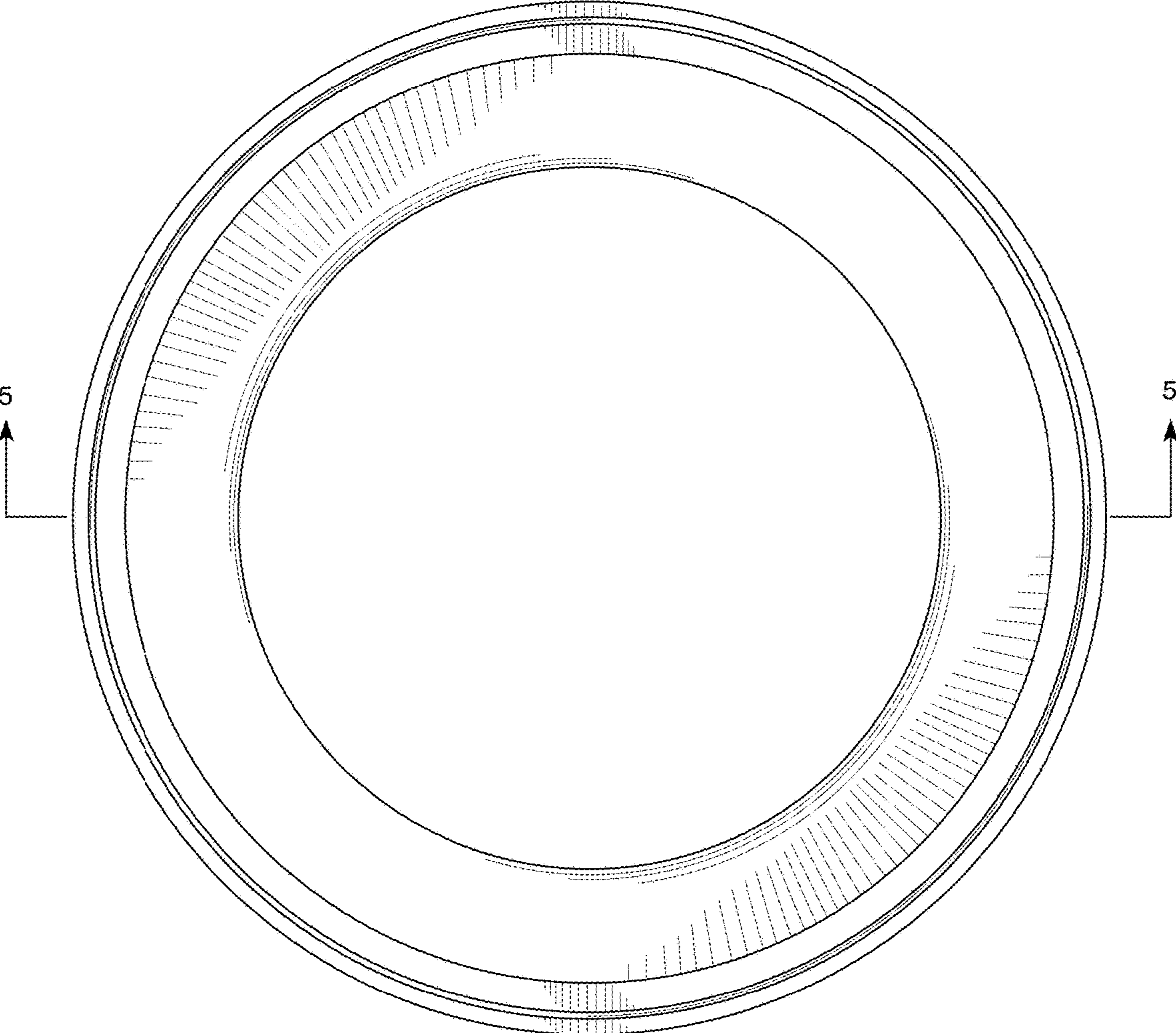


FIG. 2

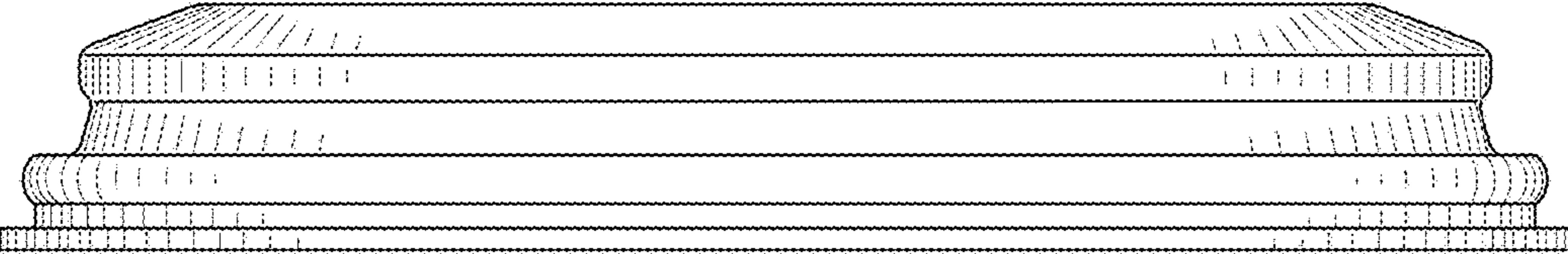


FIG. 3

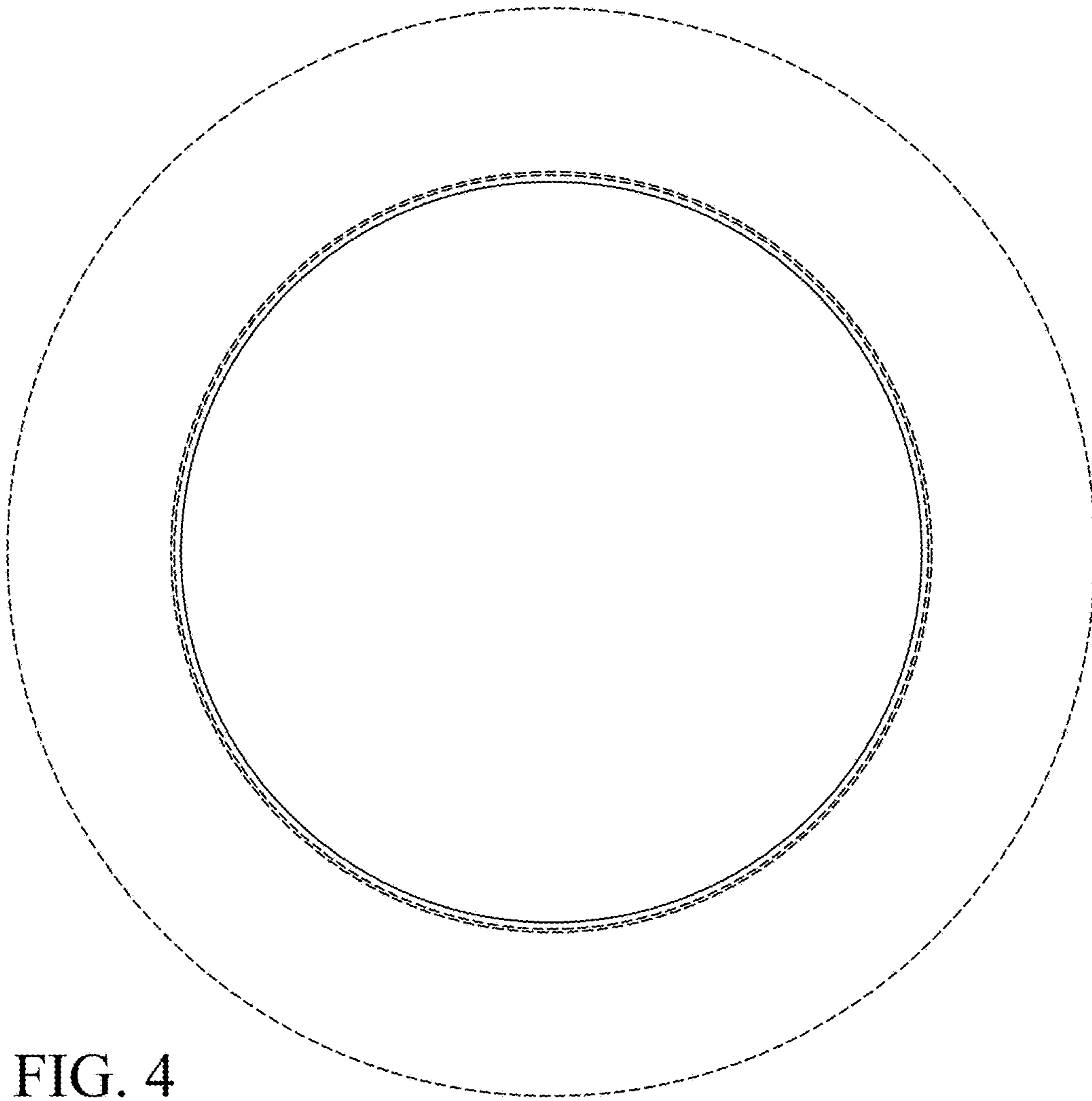


FIG. 4

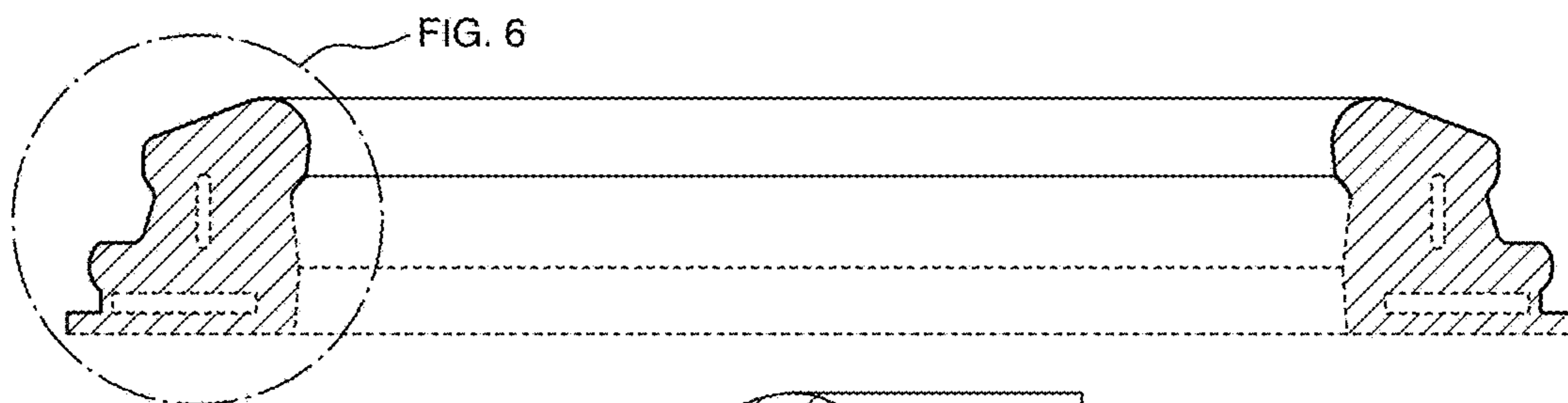


FIG. 5

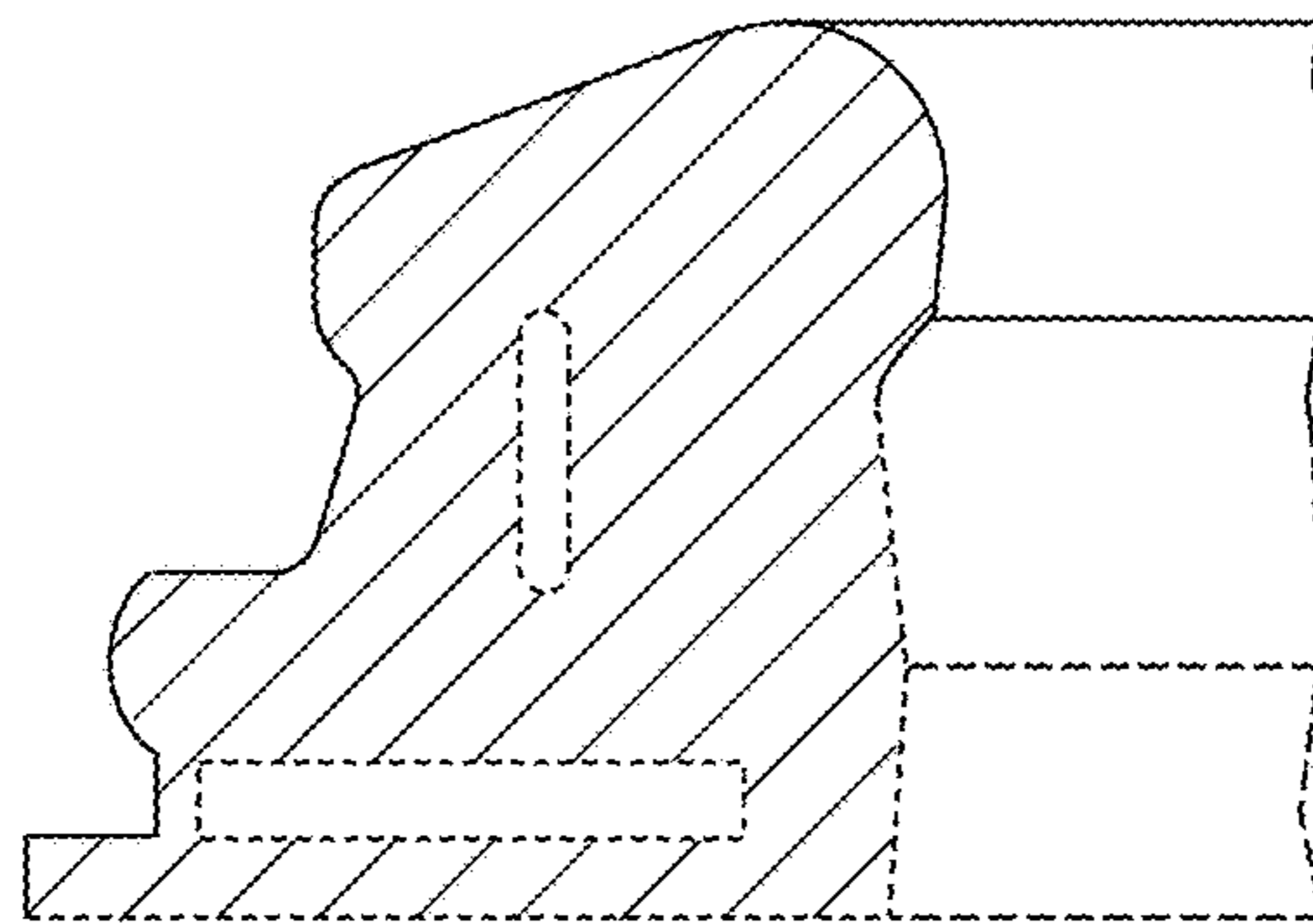


FIG. 6