



US00D834153S

(12) **United States Design Patent**
Tempel

(10) **Patent No.:** **US D834,153 S**

(45) **Date of Patent:** **** Nov. 20, 2018**

(54) **JET REGULATOR**

(71) Applicant: **NEOPERL GMBH**, Müllheim (DE)

(72) Inventor: **Marc Tempel**, Freiburg (DE)

(73) Assignee: **Neoperl GmbH**, Müllheim (DE)

(**) Term: **15 Years**

(21) Appl. No.: **35/501,471**

(22) Filed: **Aug. 11, 2016**

(80) **Hague Agreement Data**

Int. Filing Date: **Aug. 11, 2016**

Int. Reg. No.: **DM/092138**

Int. Reg. Date: **Aug. 11, 2016**

Int. Reg. Pub. Date: **Sep. 2, 2016**

(51) **LOC (11) Cl.** **23-01**

(52) **U.S. Cl.**
USPC **D23/260**

(58) **Field of Classification Search**
USPC D23/213, 223, 226, 229, 230, 260
CPC B05B 1/00; B05B 1/18; B05B 9/01
See application file for complete search history.

(56) **References Cited**

U.S. PATENT DOCUMENTS

| | | | | | |
|-----------|------|---------|---------|-------|------------------------|
| 6,126,093 | A * | 10/2000 | Grether | | E03C 1/08 239/428.5 |
| D550,816 | S * | 9/2007 | Grether | | D23/249 |
| D550,818 | S * | 9/2007 | Grether | | D23/249 |
| 7,357,337 | B2 * | 4/2008 | Ferrari | | E03C 1/08 239/428.5 |
| D605,732 | S * | 12/2009 | Stein | | D23/249 |

| | | | | | |
|--------------|------|--------|----------|-------|-------------|
| D612,911 | S * | 3/2010 | Grether | | D23/249 |
| D622,355 | S * | 8/2010 | Grether | | D23/249 |
| D684,241 | S * | 6/2013 | Tempel | | D23/213 |
| D688,774 | S * | 8/2013 | Tempel | | D23/213 |
| D689,168 | S * | 9/2013 | Tempel | | D23/213 |
| D697,175 | S * | 1/2014 | Grether | | D23/213 |
| D728,740 | S * | 5/2015 | Tempel | | D23/213 |
| D732,140 | S * | 6/2015 | Tempel | | D23/213 |
| D752,710 | S * | 3/2016 | Tempel | | D23/213 |
| 9,416,522 | B2 * | 8/2016 | Tempel | | B05B 1/3033 |
| D776,240 | S * | 1/2017 | Huang | | D23/213 |
| D788,264 | S * | 5/2017 | Stein | | D23/213 |
| 9,637,896 | B2 * | 5/2017 | Tempel | | E03C 1/084 |
| D788,881 | S * | 6/2017 | Birmelin | | D23/213 |
| 2017/0184212 | A1 * | 6/2017 | Tempel | | G05D 23/022 |
| 2017/0198461 | A1 * | 7/2017 | Tempel | | G05D 7/012 |

* cited by examiner

Primary Examiner — Michael A. Pratt

(74) *Attorney, Agent, or Firm* — Volpe and Koeing, P.C.

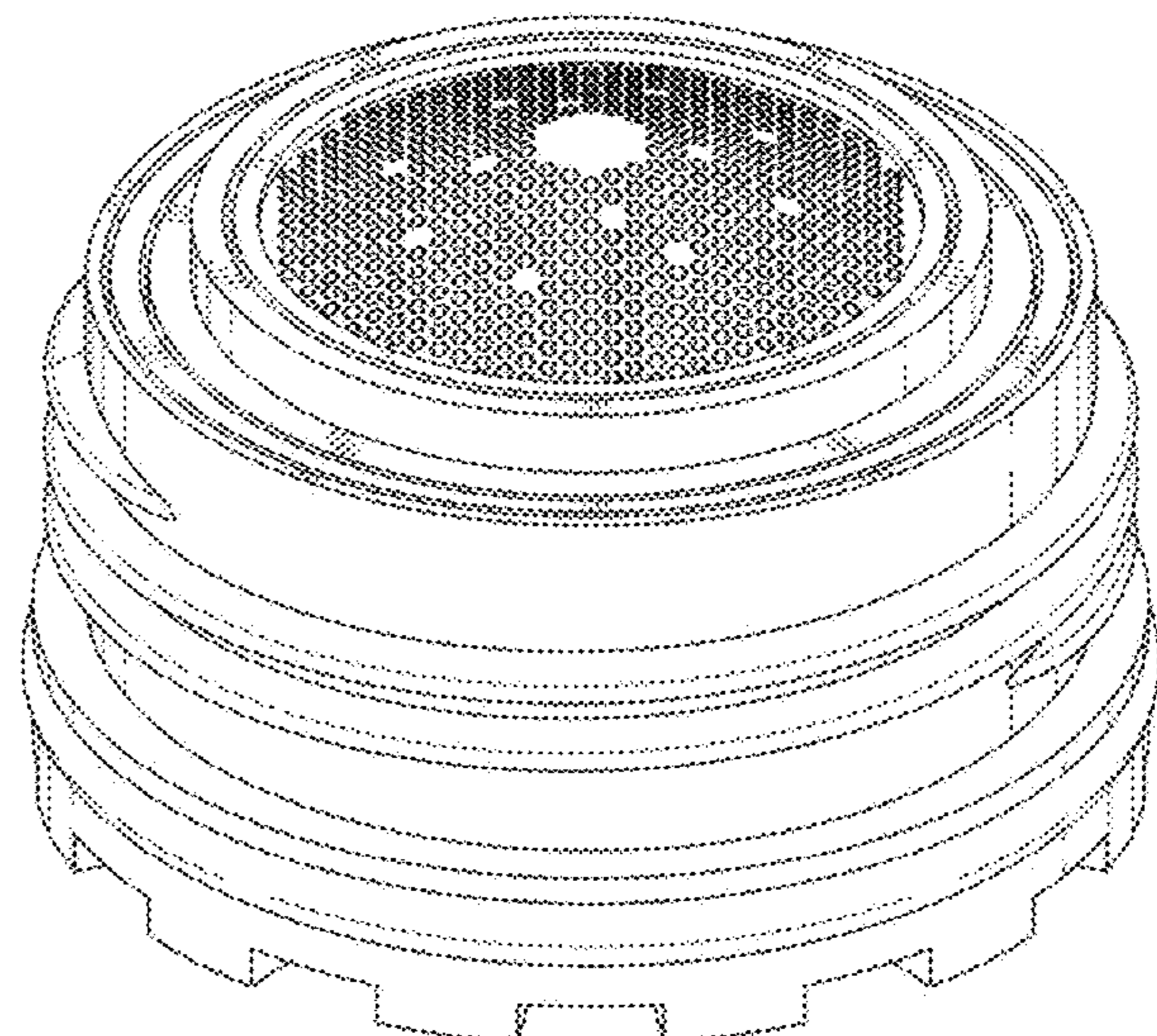
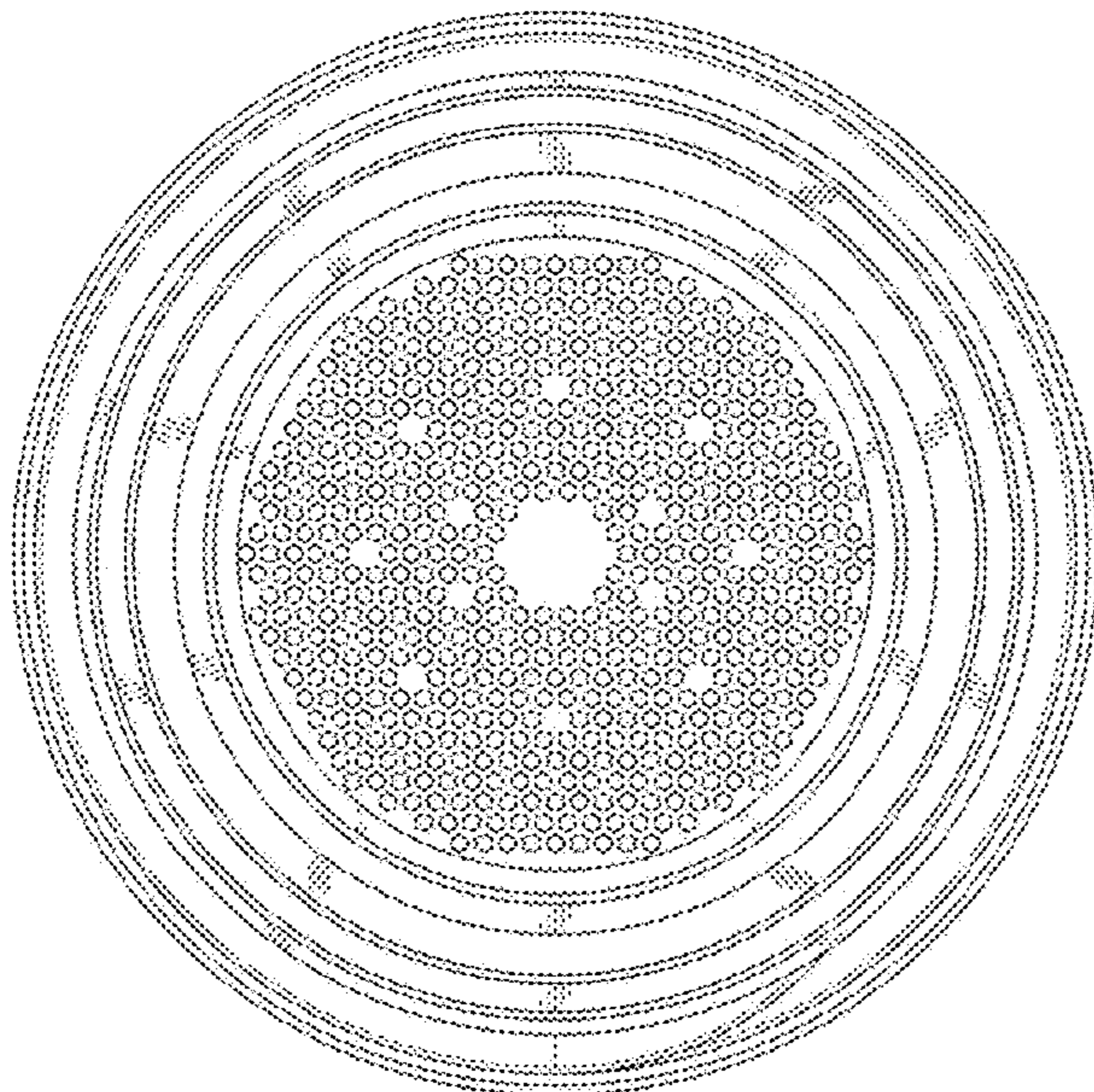
(57) **CLAIM**

The ornamental design for jet regulator, as shown and described.

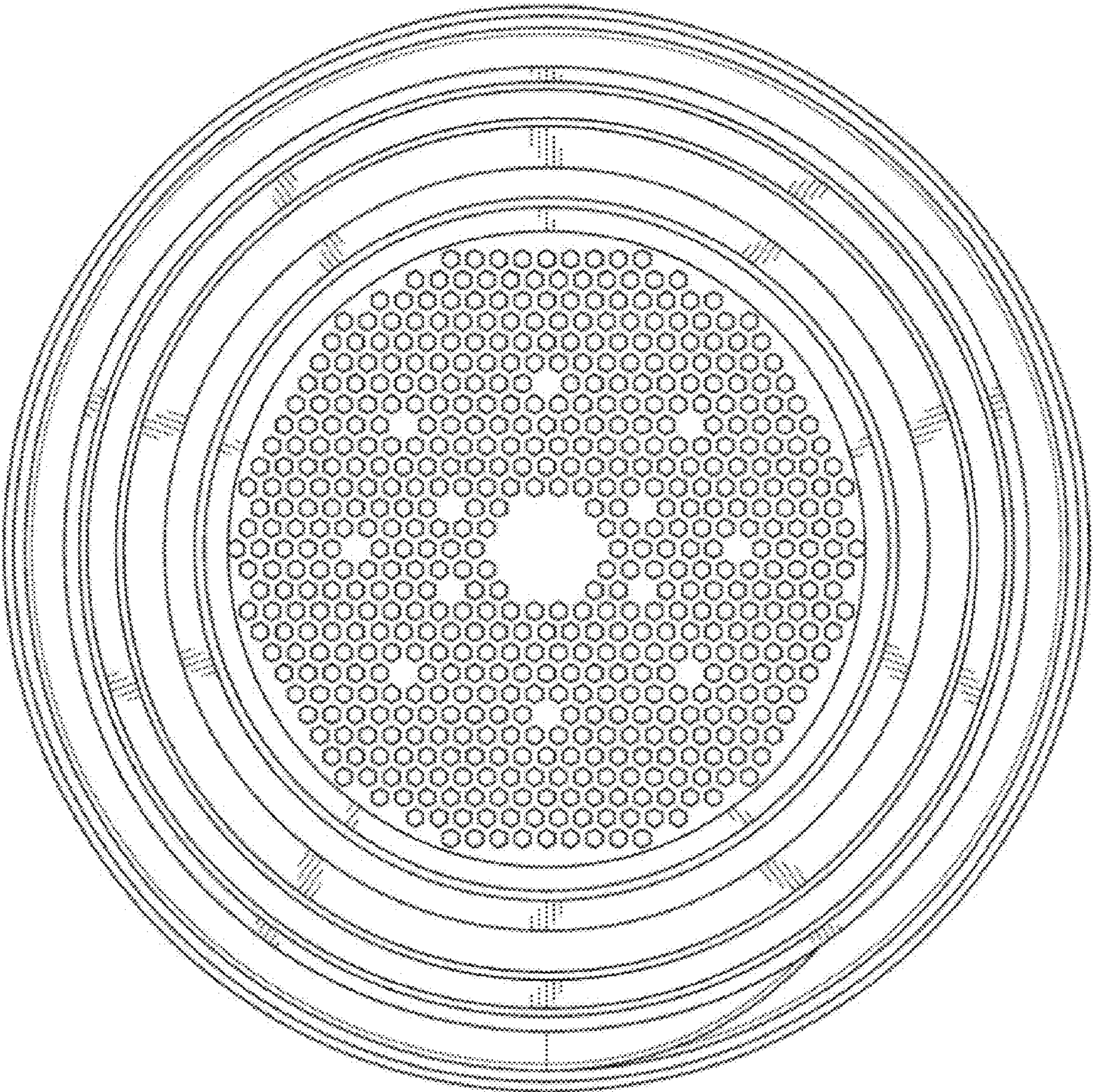
DESCRIPTION

1. Jet regulator
- 1.1: A top plan view of a jet regulator in accordance with my design.
- 1.2: A top, front perspective view thereof.
- 1.3: A bottom plan view thereof.
- 1.4: A bottom front perspective view thereof.
- 1.5: A front elevational view thereof.
- 1.6: A left side elevational view thereof.
- 1.7: A rear elevational view thereof.
- 1.8: A right side elevational view thereof.

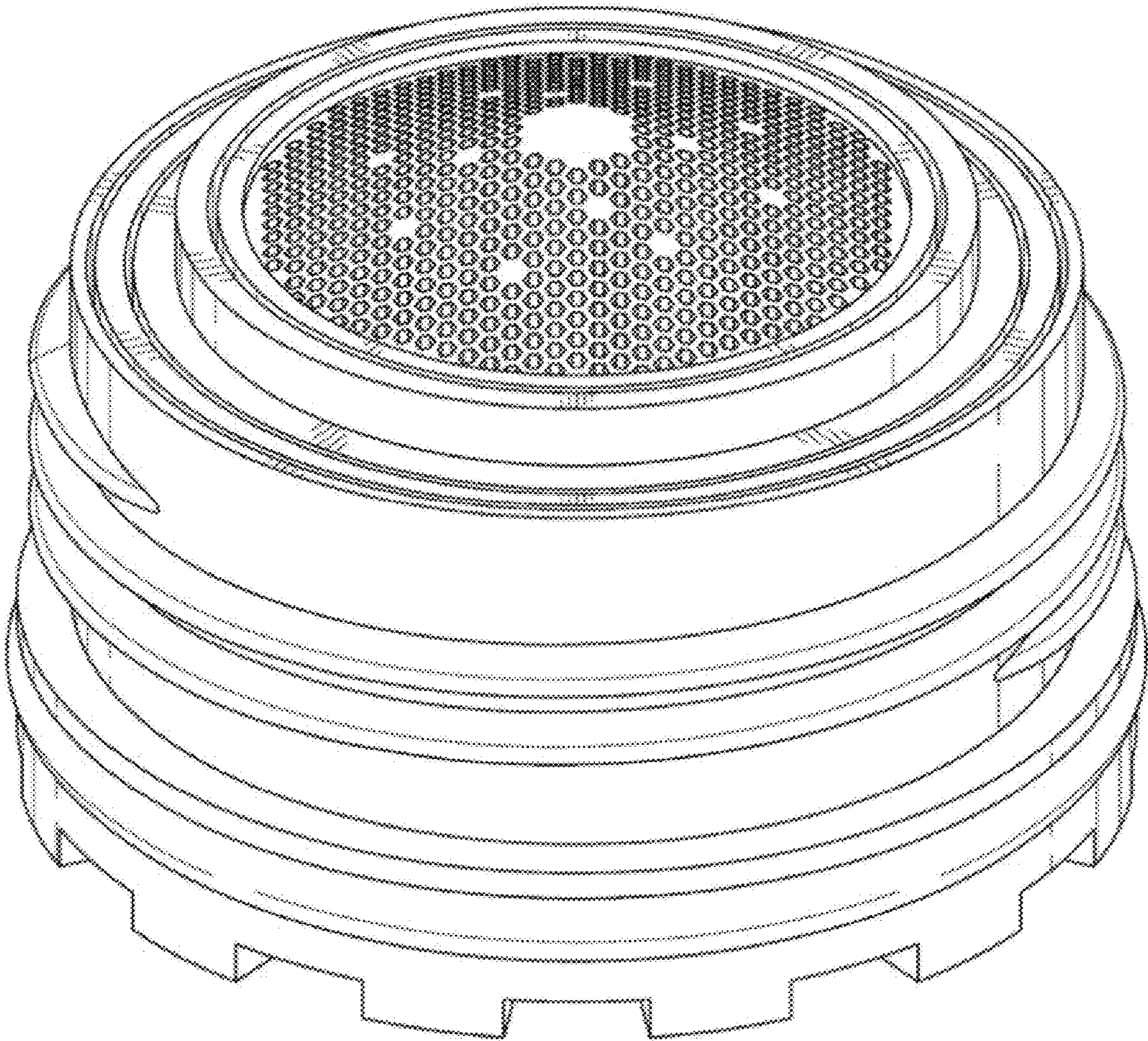
1 Claim, 8 Drawing Sheets



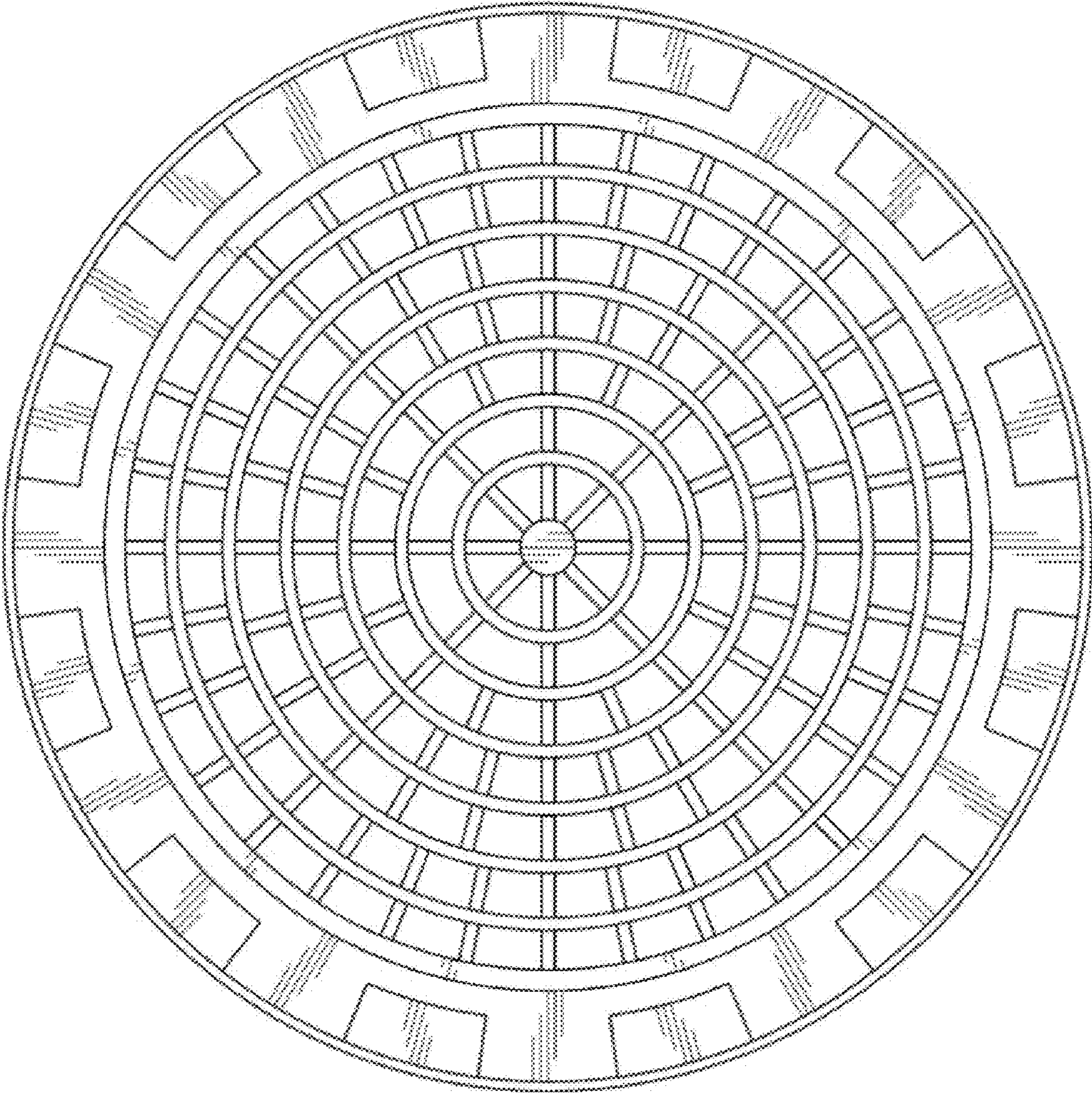
1.1



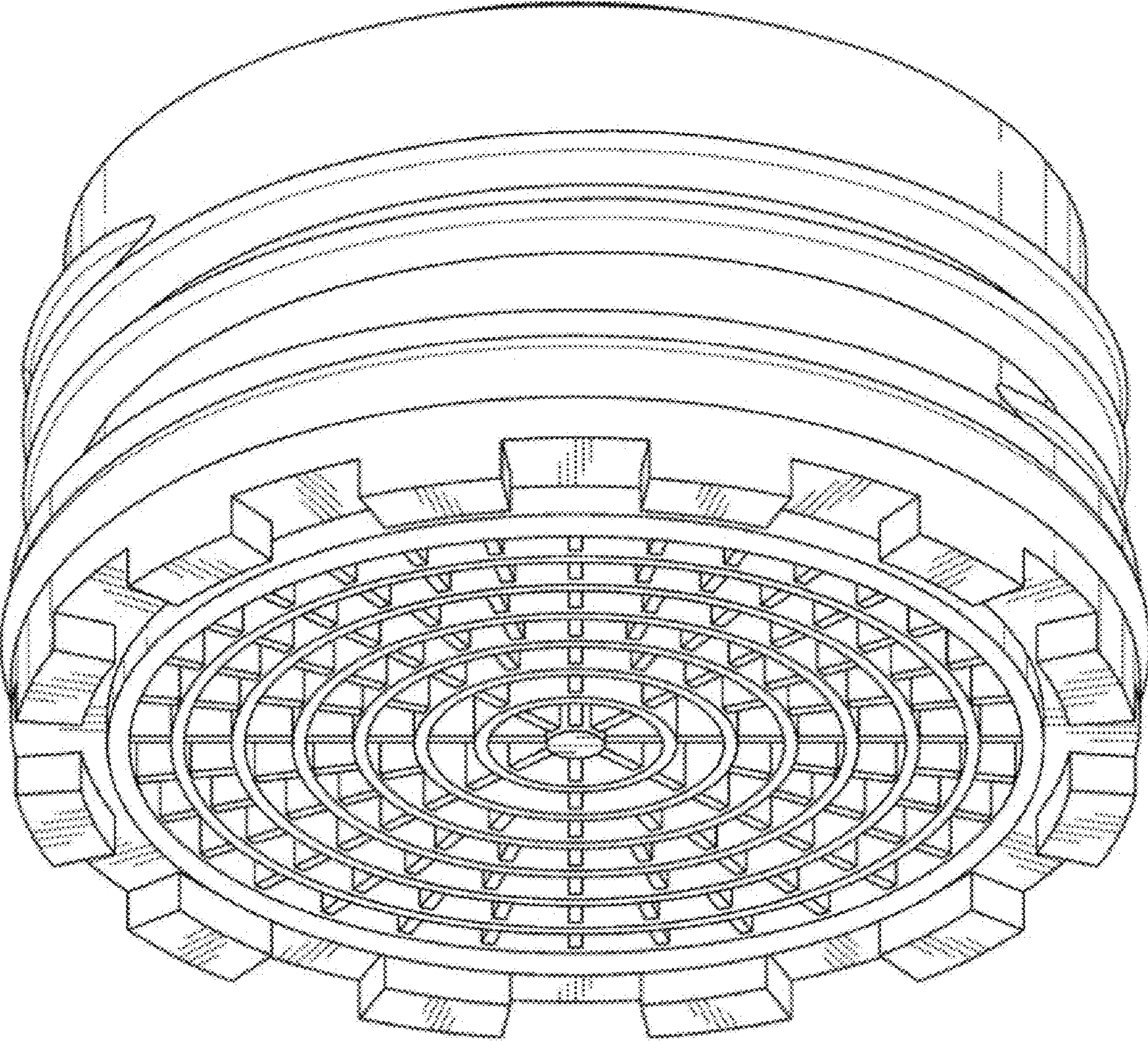
1.2



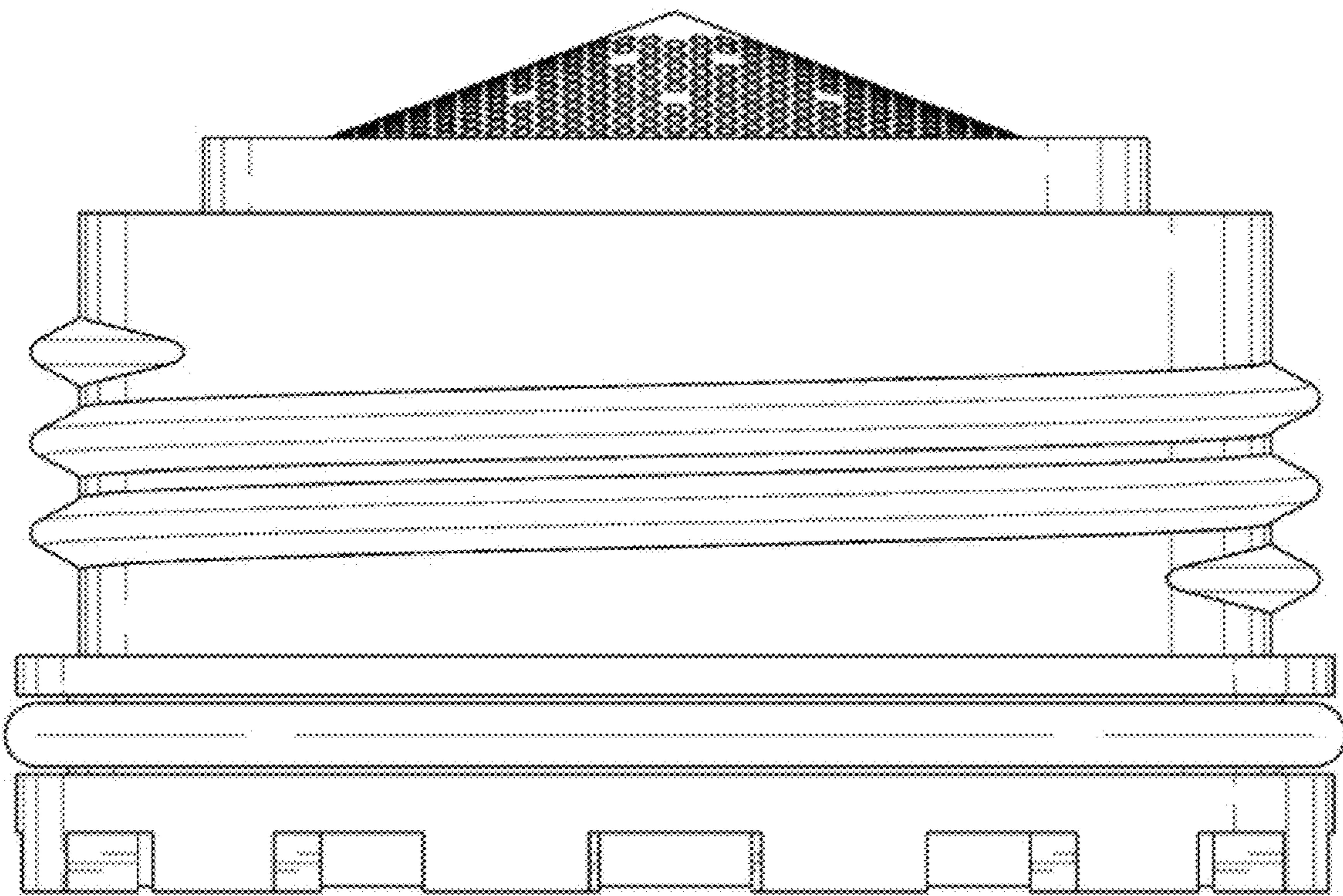
1.3



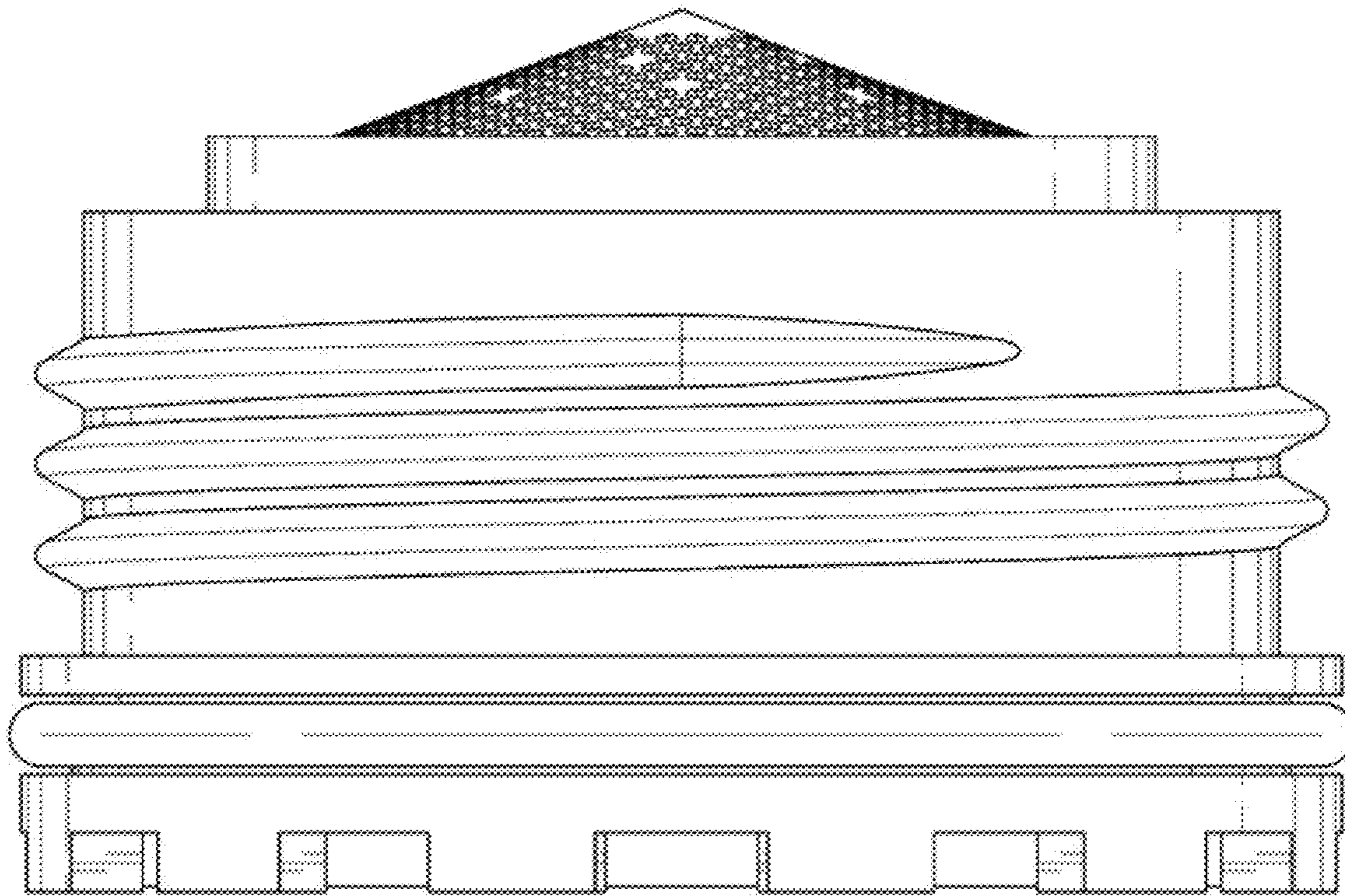
1.4



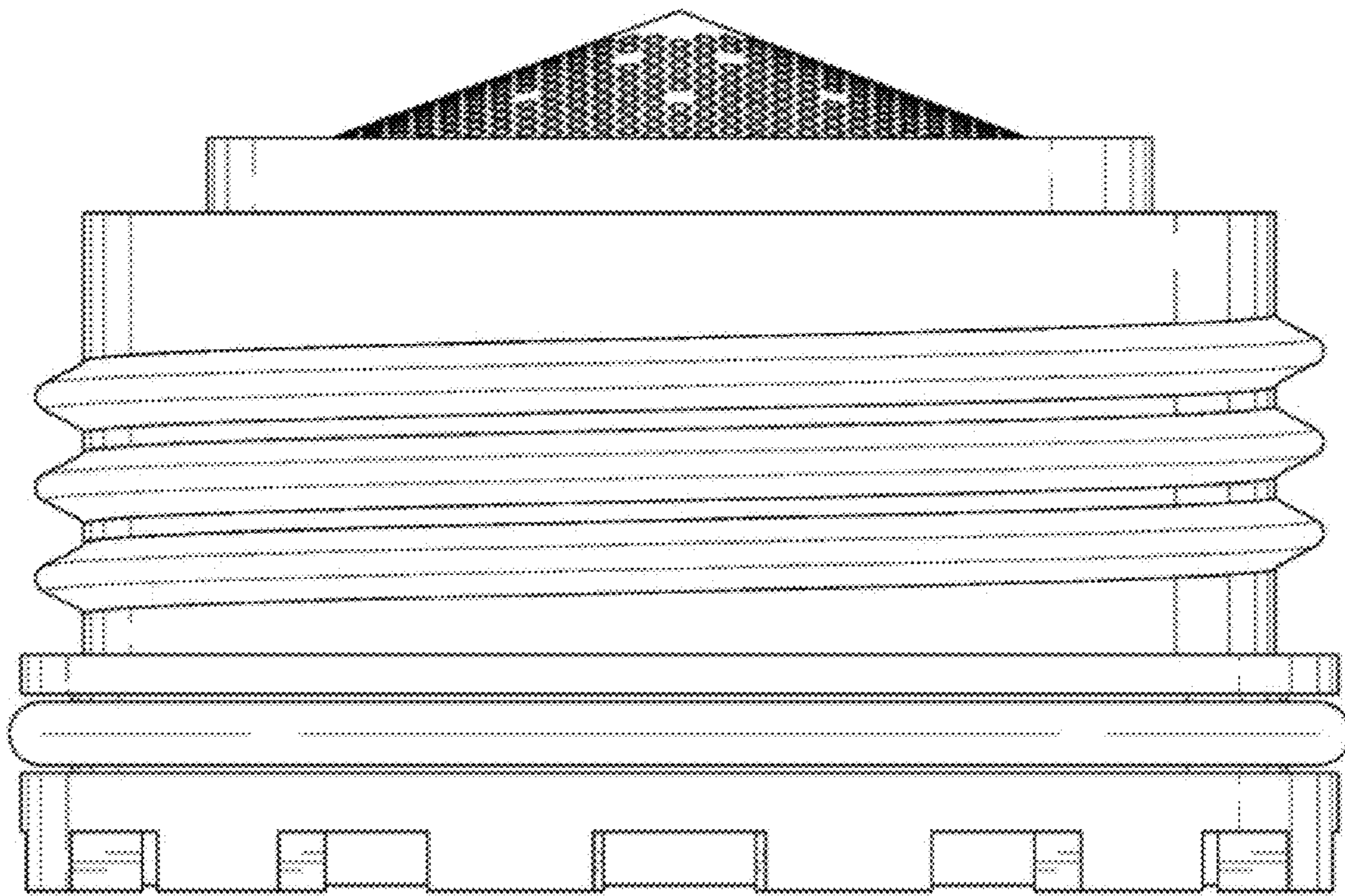
1.5



1.6



1.7



1.8

