



US00D834151S

(12) **United States Design Patent**
Cheng

(10) **Patent No.:** **US D834,151 S**

(45) **Date of Patent:** **** Nov. 20, 2018**

(54) **HOCKEY STYLE FAUCET HANDLE**

(71) Applicant: **Forward Aqua Co., Ltd.**, Taichung (TW)

(72) Inventor: **Meng-Feng Cheng**, Taichung (TW)

(73) Assignee: **Forward Aqua Co., Ltd.**, Taichung (TW)

(**) Term: **15 Years**

(21) Appl. No.: **29/607,966**

(22) Filed: **Jun. 19, 2017**

(51) **LOC (11) Cl.** **23-01**

(52) **U.S. Cl.**
USPC **D23/251**

(58) **Field of Classification Search**
USPC D23/238–243, 249–252, 254;
D8/307–308; D21/710, 727
CPC E03C 1/0412; Y10T 137/9464
See application file for complete search history.

(56) **References Cited**

U.S. PATENT DOCUMENTS

D561,852 S * 2/2008 Frey D21/710
D581,018 S * 11/2008 Citterio D23/241

D624,991 S * 10/2010 Kulig D23/242
D690,396 S * 9/2013 Ritchel D23/251
D770,581 S * 11/2016 Gosselin D21/727
D776,792 S * 1/2017 Neumayr D23/242
D809,105 S * 1/2018 Cheng D23/242

* cited by examiner

Primary Examiner — Robert A Delehanty

(74) *Attorney, Agent, or Firm* — Alan D. Kamrath;
Kamrath IP Lawfirm, P.A.

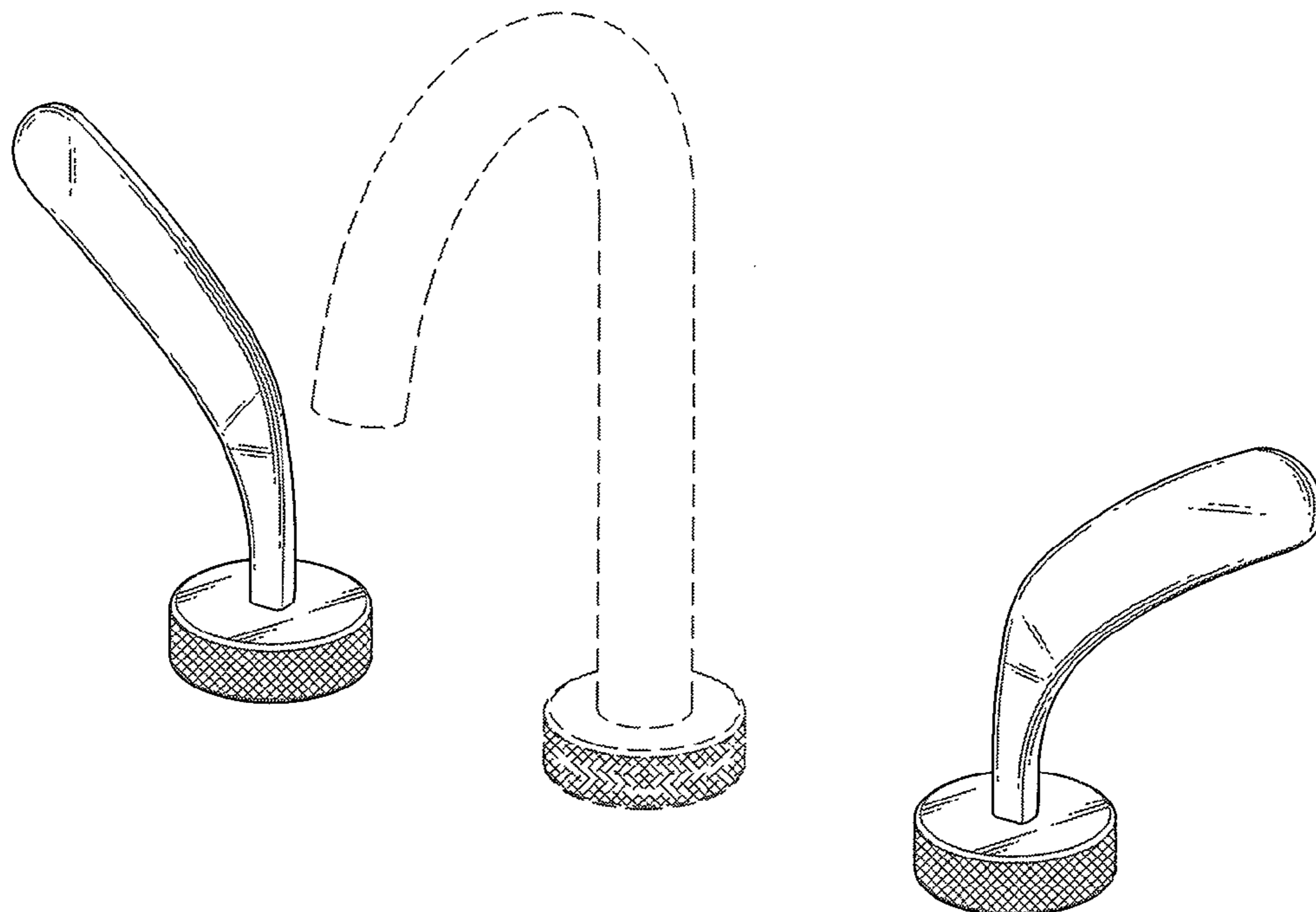
(57) **CLAIM**

The ornamental design for a hockey style faucet handle, as shown and described.

DESCRIPTION

FIG. 1 is a perspective view of a hockey style faucet handle showing my new design;
FIG. 2 is a front elevational view thereof;
FIG. 3 is a rear elevational view thereof;
FIG. 4 is a left side elevational view thereof;
FIG. 5 is a right side elevational view thereof;
FIG. 6 is a top plan view thereof;
FIG. 7 is a bottom plan view thereof; and,
FIG. 8 is another perspective view of the hockey style faucet handle showing my new design.
The broken lines in the figures depict portions of the hockey style faucet handle that form no part of the claimed design.

1 Claim, 5 Drawing Sheets



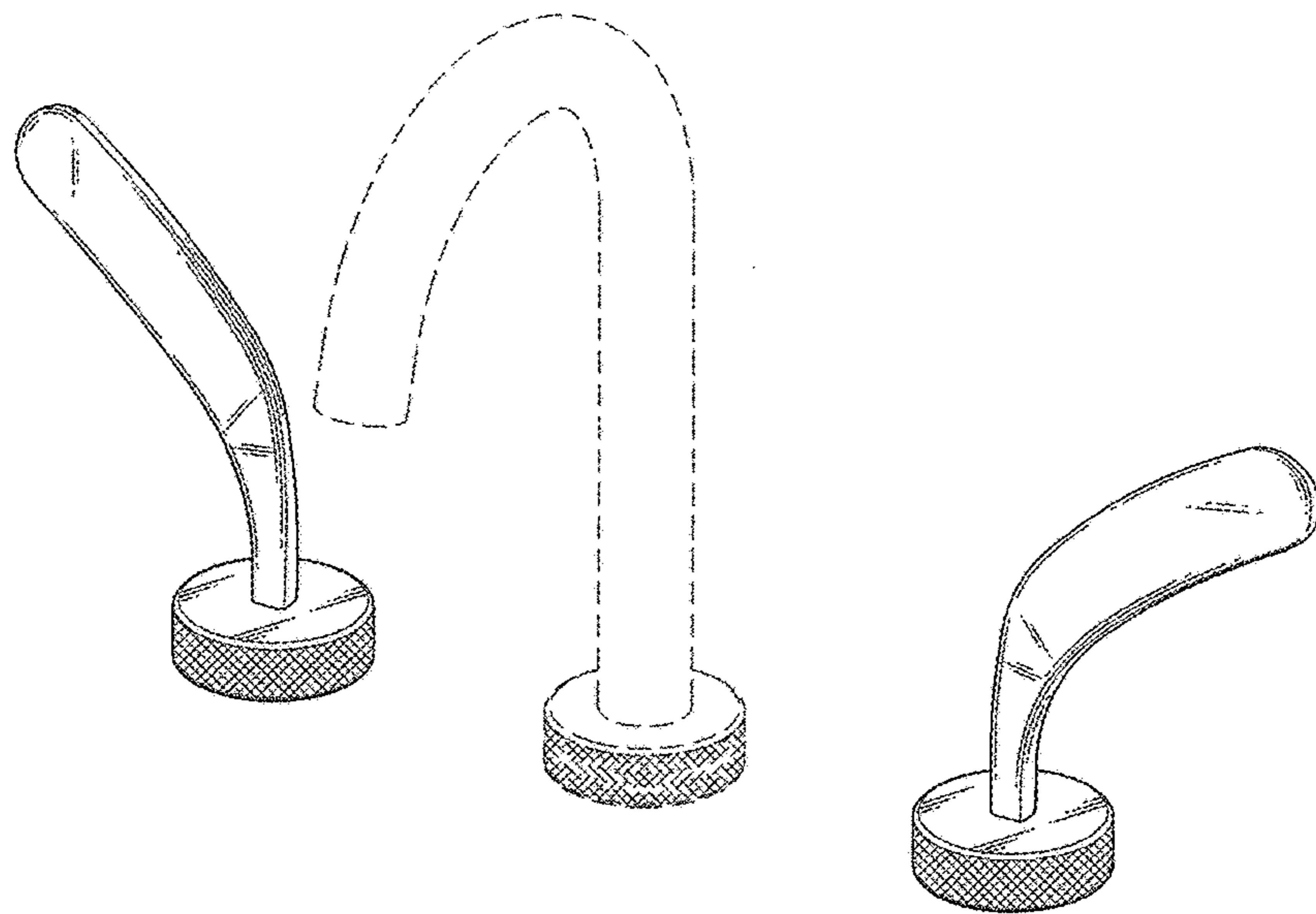


FIG. 1

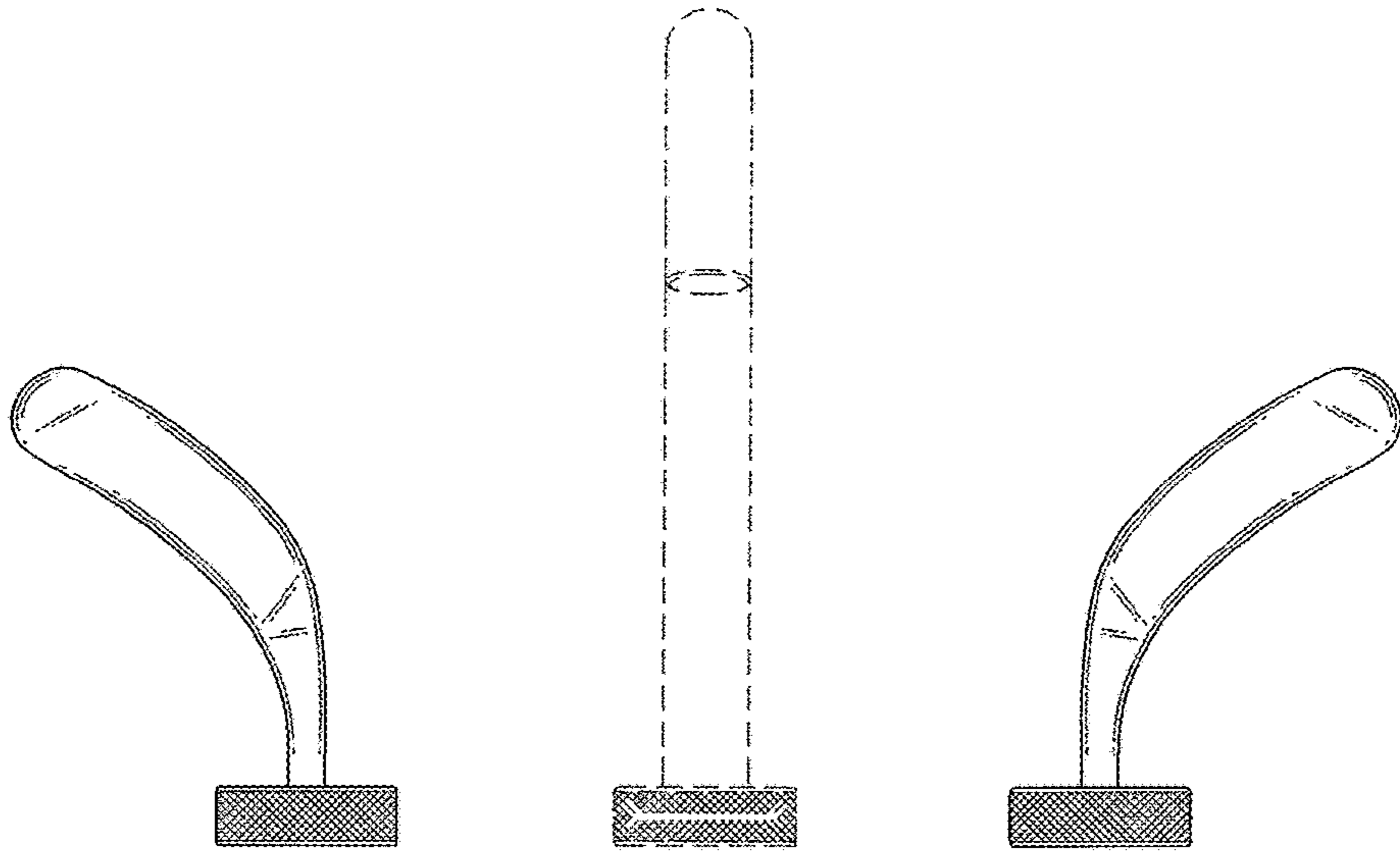


FIG. 2

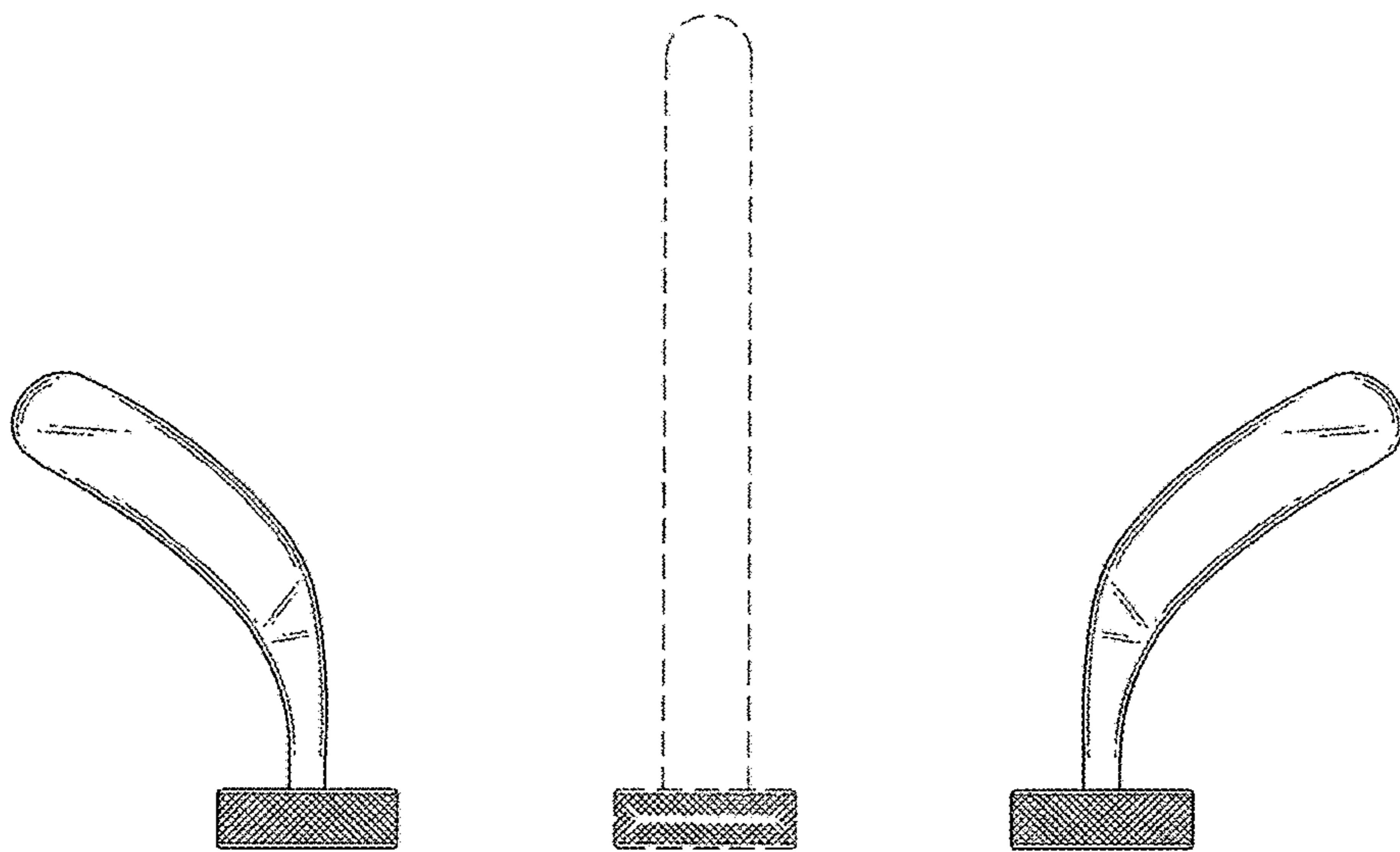


FIG. 3

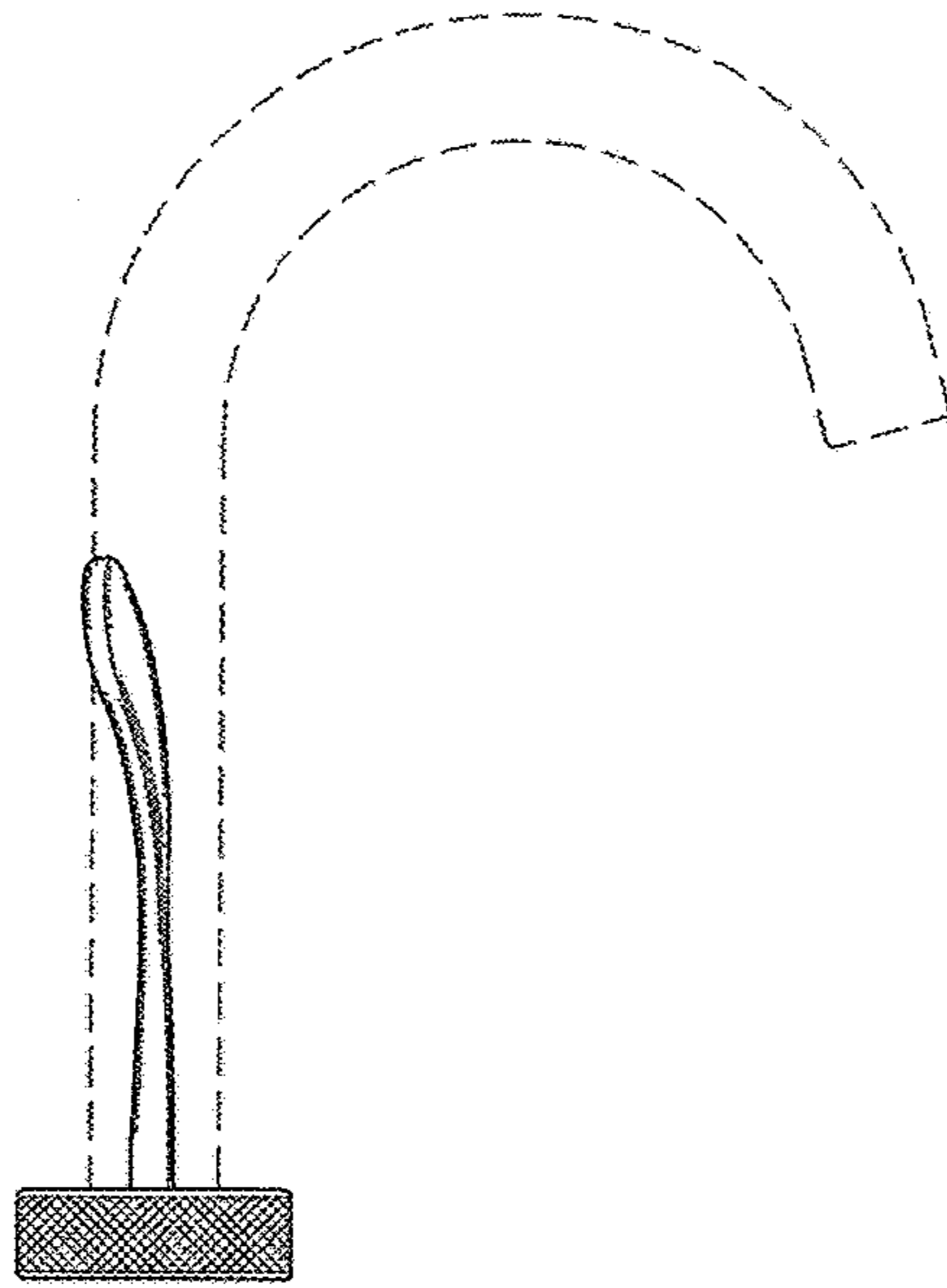


FIG. 4

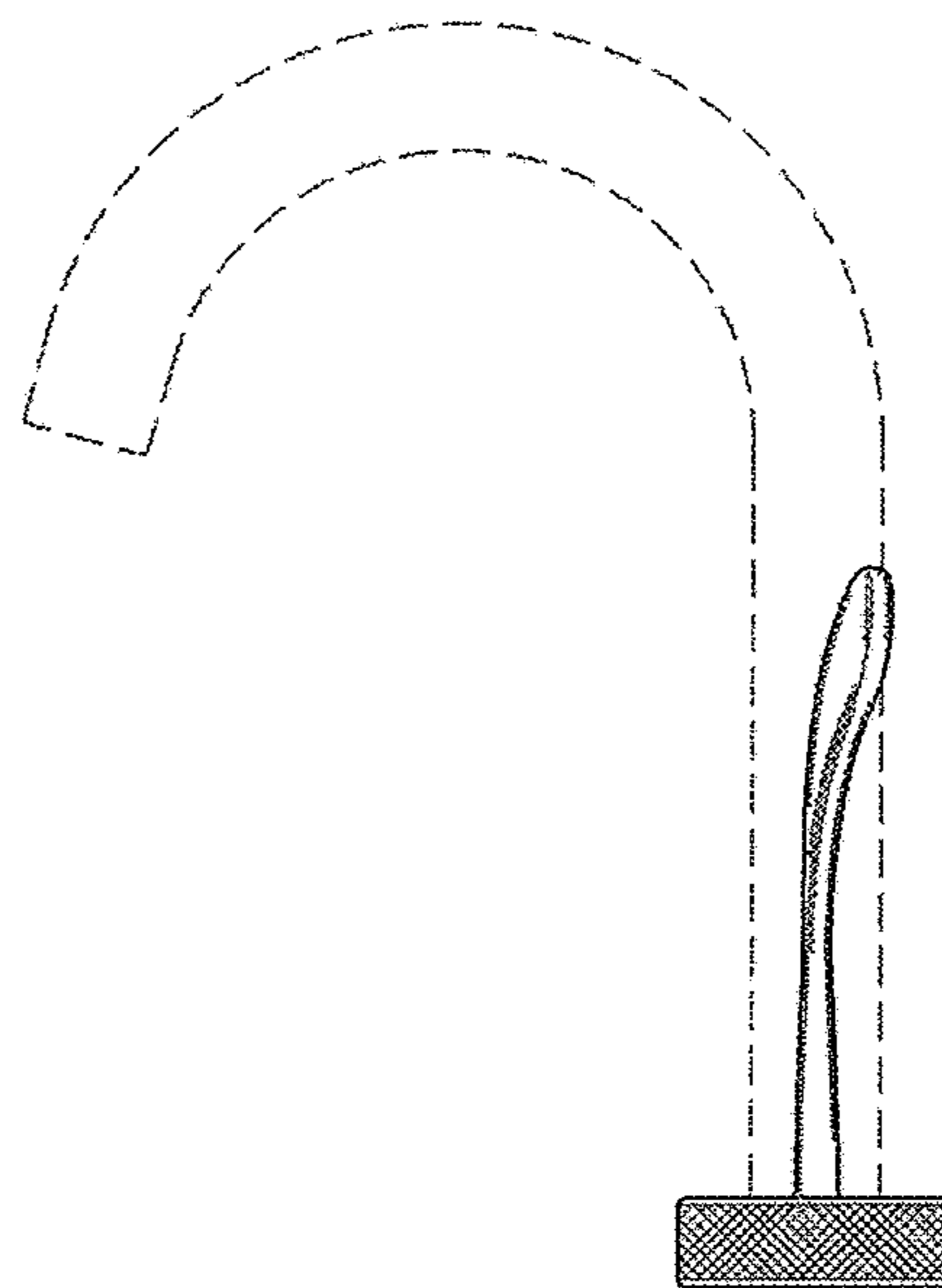


FIG. 5

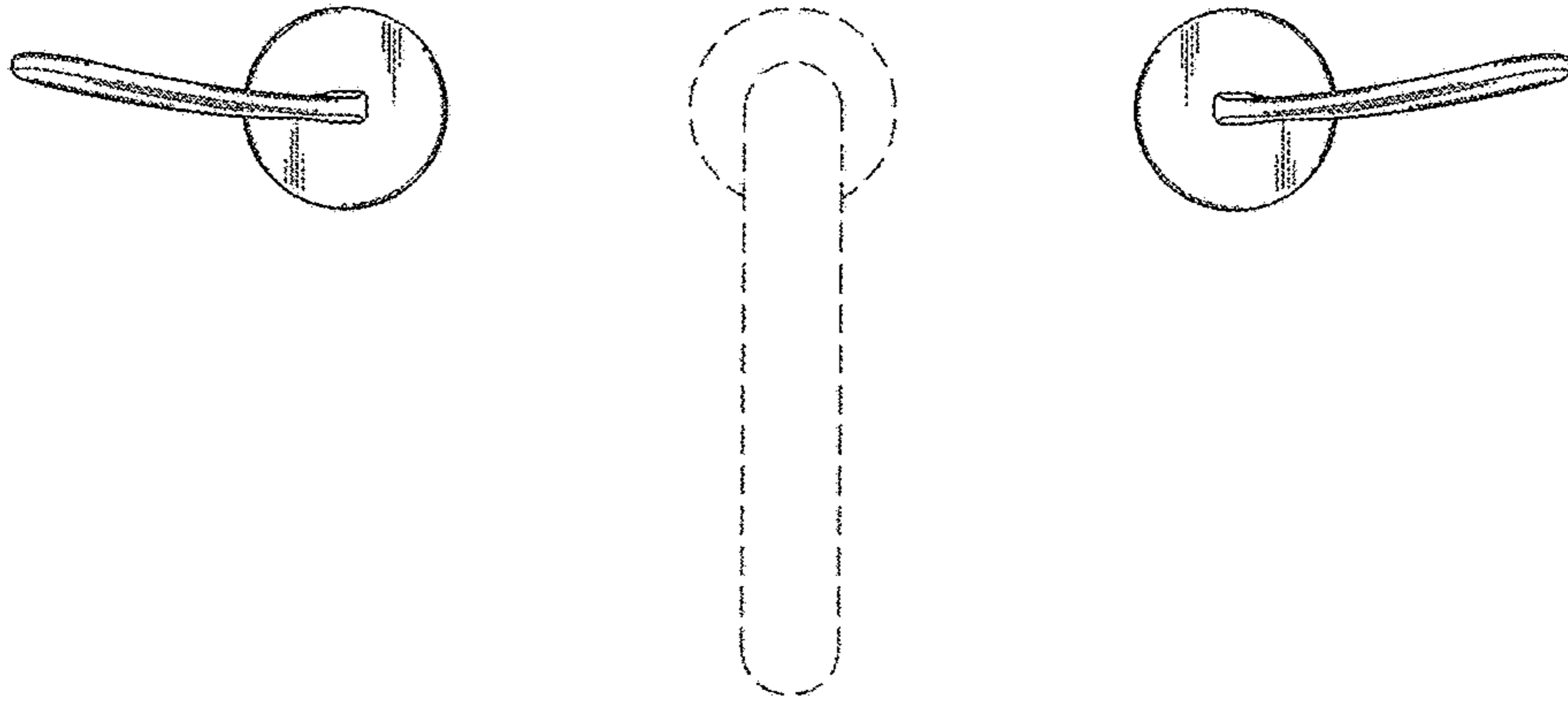


FIG. 6

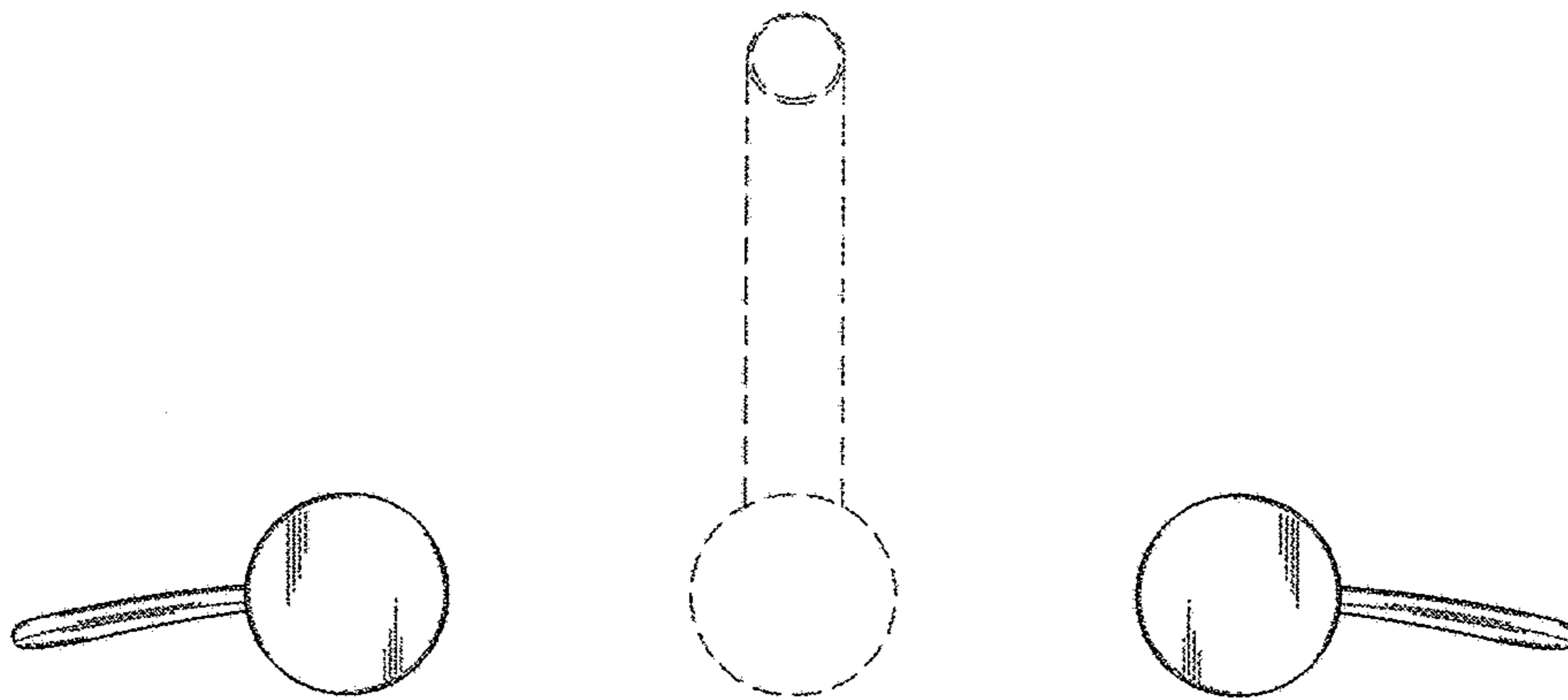


FIG. 7

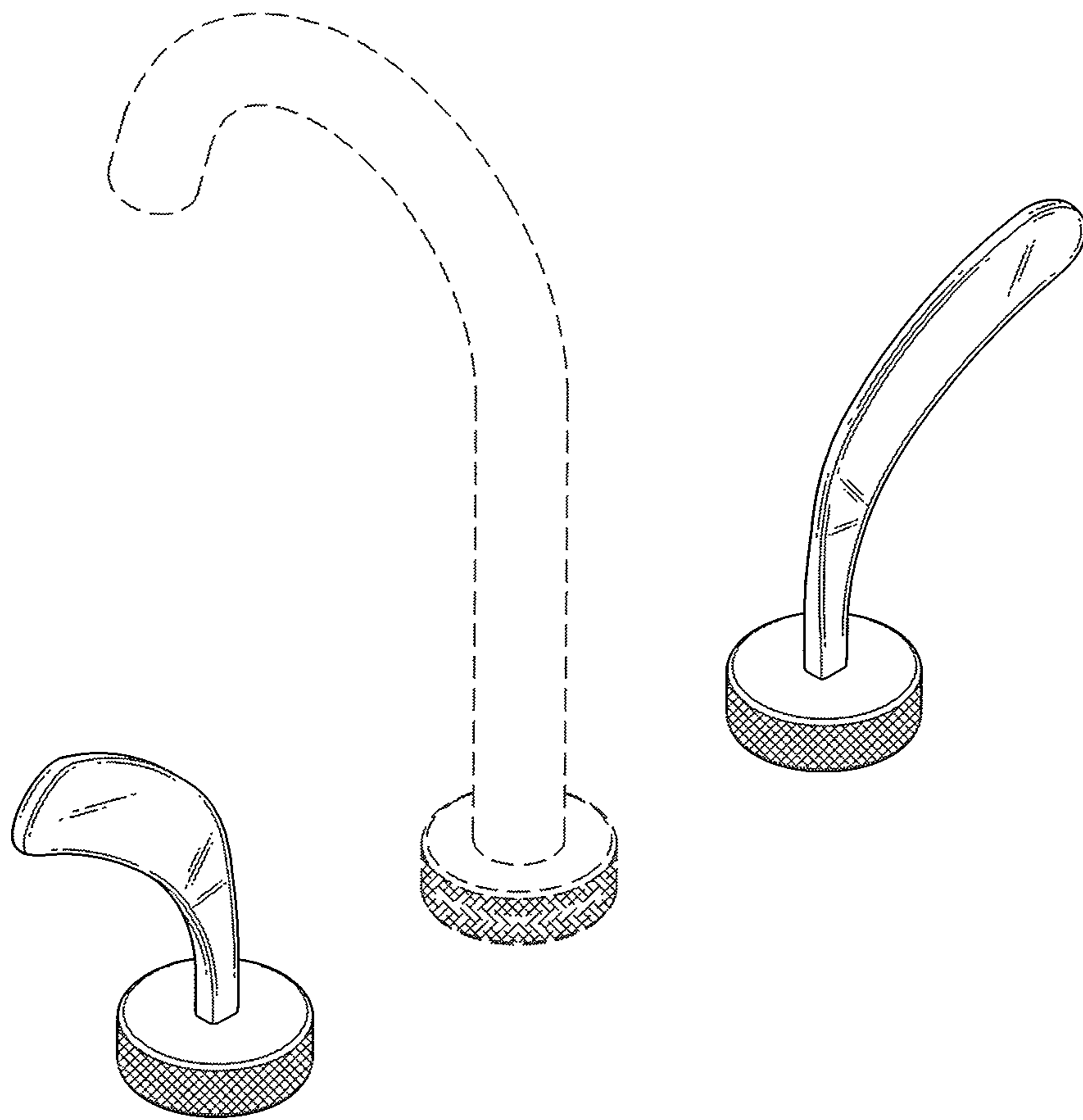


FIG. 8