



US00D834150S

(12) **United States Design Patent** (10) **Patent No.:** **US D834,150 S**  
**Yung** (45) **Date of Patent:** **\*\* Nov. 20, 2018**

(54) **BALL VALVE**  
(71) Applicant: **Eastern Foundry & Fittings Inc.,**  
Richmond Hill (CA)  
(72) Inventor: **Jacky Chi Pang Yung,** Richmond Hill  
(CA)

D473,931 S \* 4/2003 Lai ..... D23/233  
D478,650 S \* 8/2003 Lai ..... D23/233  
D486,204 S \* 2/2004 Tripp ..... D23/245  
D542,382 S \* 5/2007 Cook ..... D23/233  
D796,633 S \* 9/2017 Adey ..... D23/233  
2010/0230624 A1\* 9/2010 Tejamo ..... F16K 5/201  
251/315.16

(73) Assignee: **Eastern Foundry & Fittings Inc.,**  
Richmond Hill (CA)

\* cited by examiner

(\*\*) Term: **15 Years**

*Primary Examiner* — Cynthia Ramirez

*Assistant Examiner* — Gino Colan

(74) *Attorney, Agent, or Firm* — Elan IP Inc.

(21) Appl. No.: **29/593,577**

(22) Filed: **Feb. 9, 2017**

(51) **LOC (11) Cl.** ..... **23-01**

(52) **U.S. Cl.**  
USPC ..... **D23/245**

(58) **Field of Classification Search**  
USPC ..... D23/233, 235, 236, 237, 241, 244, 245,  
D23/248, 249, 250, 252, 259, 262, 266,  
D23/263; 251/315.01, 315.16, 14, 148,  
251/172, 181, 129.03, 214, 228, 235, 292,  
251/315.03, 315.05, 315.1; 137/15.22,  
137/533.11, 15.18, 553, 798  
CPC .... F16K 27/067; F16K 5/0689; F16K 5/0647;  
F16K 15/188; F16K 15/183; F16K  
31/602; F16K 31/52458; F16L 37/47;  
E21B 2034/002  
See application file for complete search history.

(56) **References Cited**

**U.S. PATENT DOCUMENTS**

D411,870 S \* 7/1999 Humber ..... D23/233  
D412,561 S \* 8/1999 Voo ..... D23/245

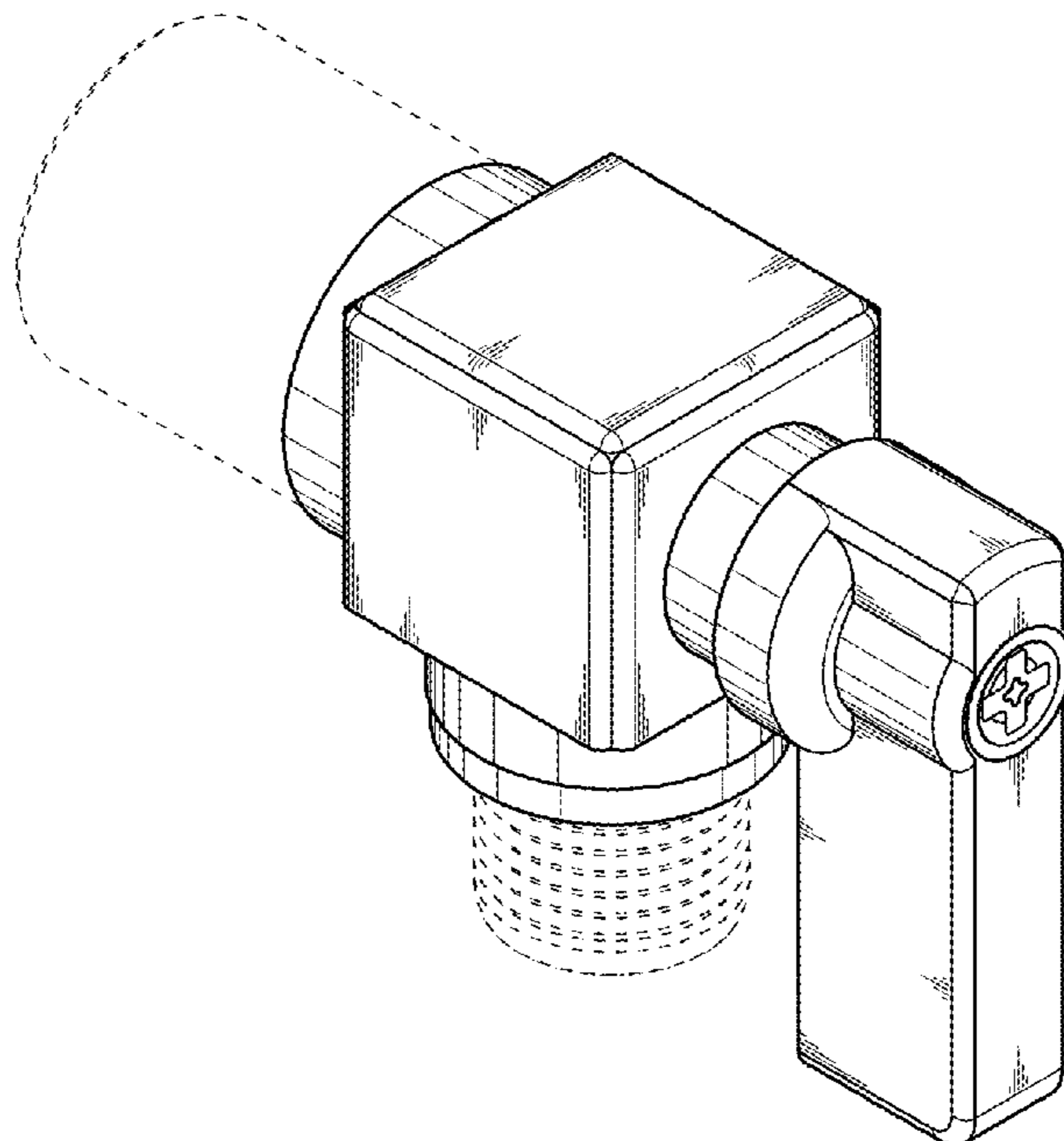
(57) **CLAIM**

The ornamental design for a ball valve, as shown and described.

**DESCRIPTION**

FIG. 1 is a perspective view of a ball valve embodying my new design;  
FIG. 2 is a front view of FIG. 1;  
FIG. 3 is a rear view of FIG. 1;  
FIG. 4 is a right side view of FIG. 1;  
FIG. 5 is a left side view of FIG. 1;  
FIG. 6 is a top view of FIG. 1;  
FIG. 7 is a bottom view of FIG. 1;  
FIG. 8 is another perspective view thereof;  
FIG. 9 is a front view of FIG. 8;  
FIG. 10 is a rear view of FIG. 8;  
FIG. 11 is a left side view of FIG. 8;  
FIG. 12 is a right side view of FIG. 8;  
FIG. 13 is a top view of FIG. 8; and,  
FIG. 14 is a bottom view of FIG. 8.

**1 Claim, 14 Drawing Sheets**



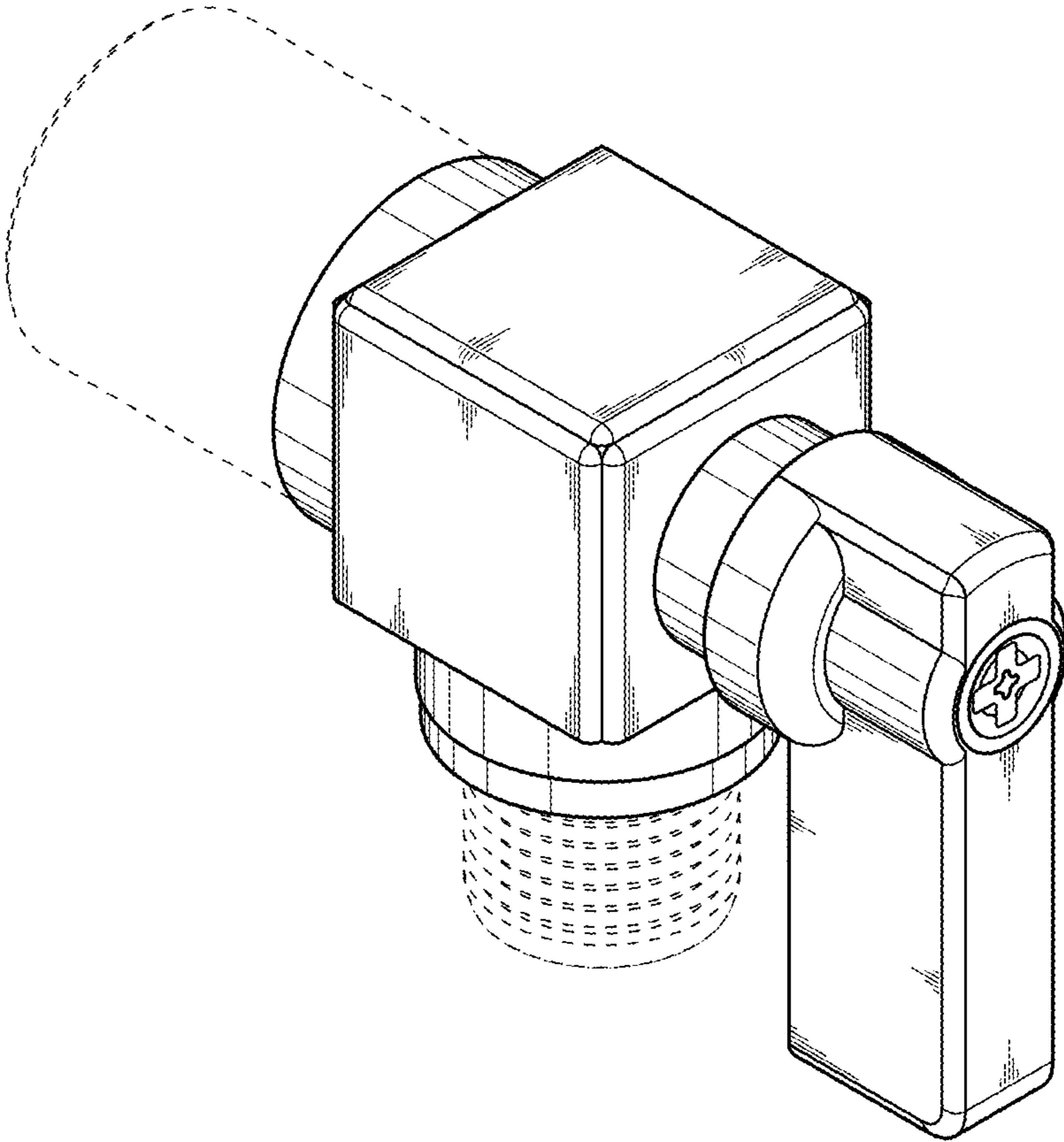


FIG. 1

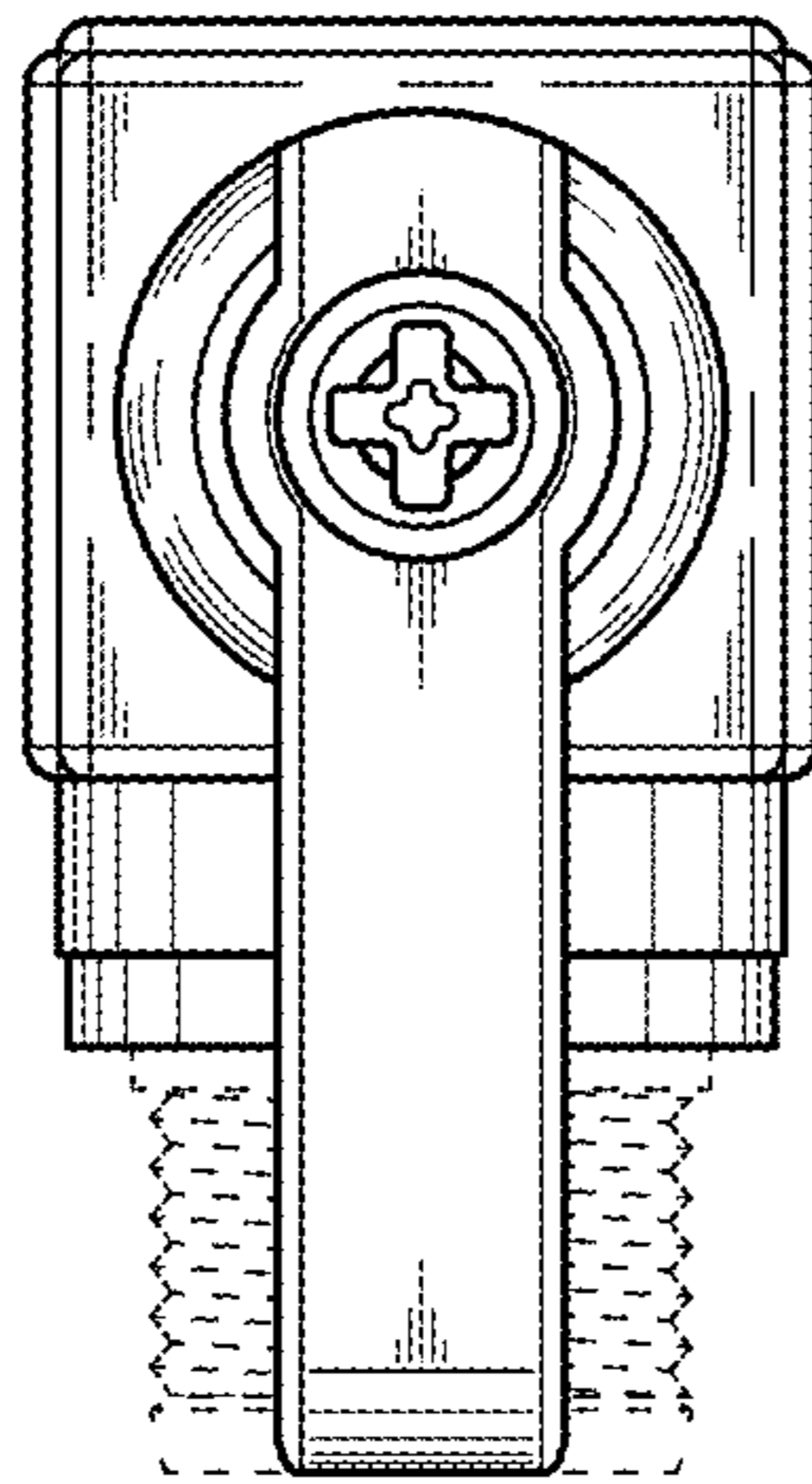


FIG. 2

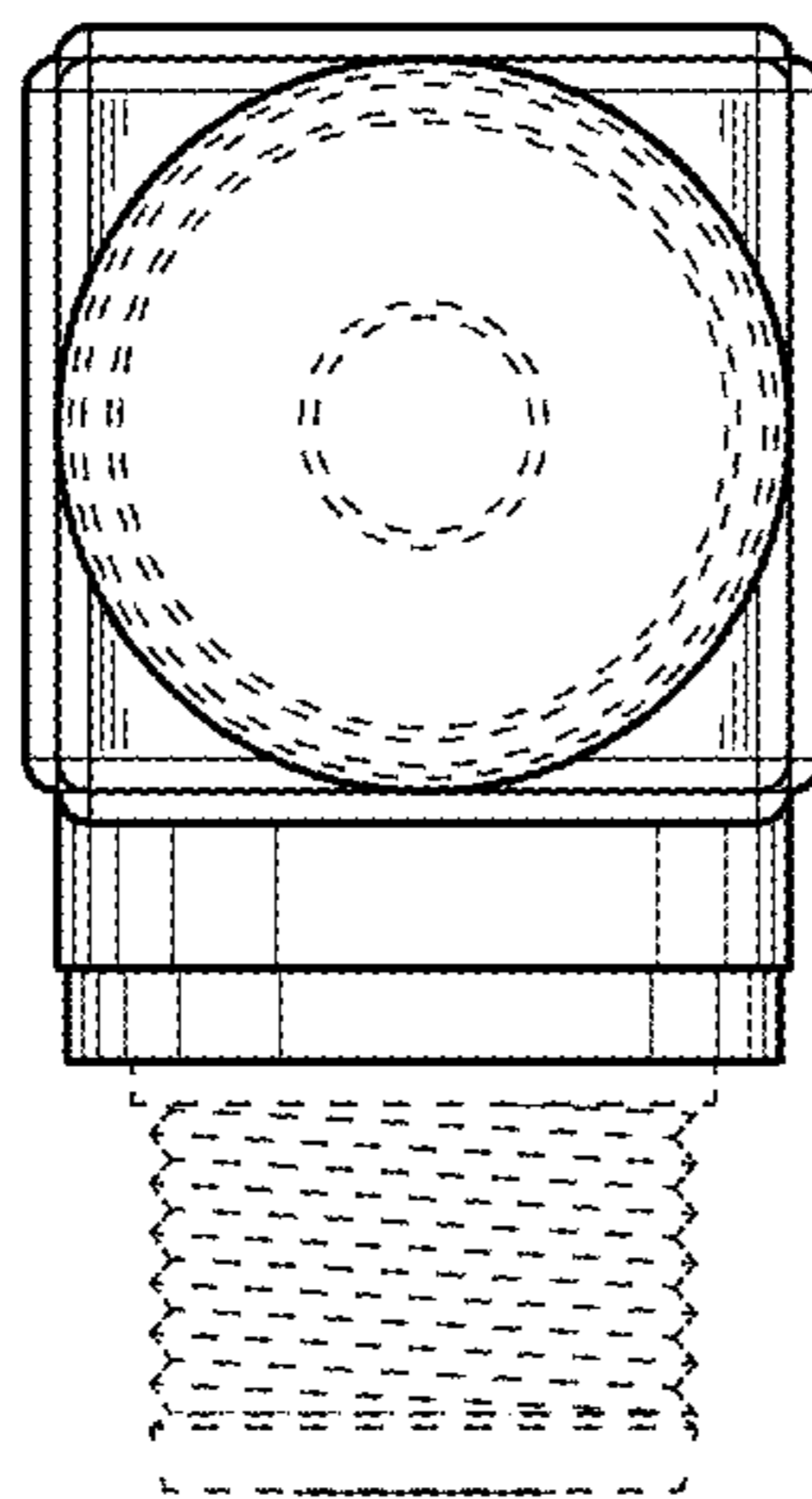


FIG. 3

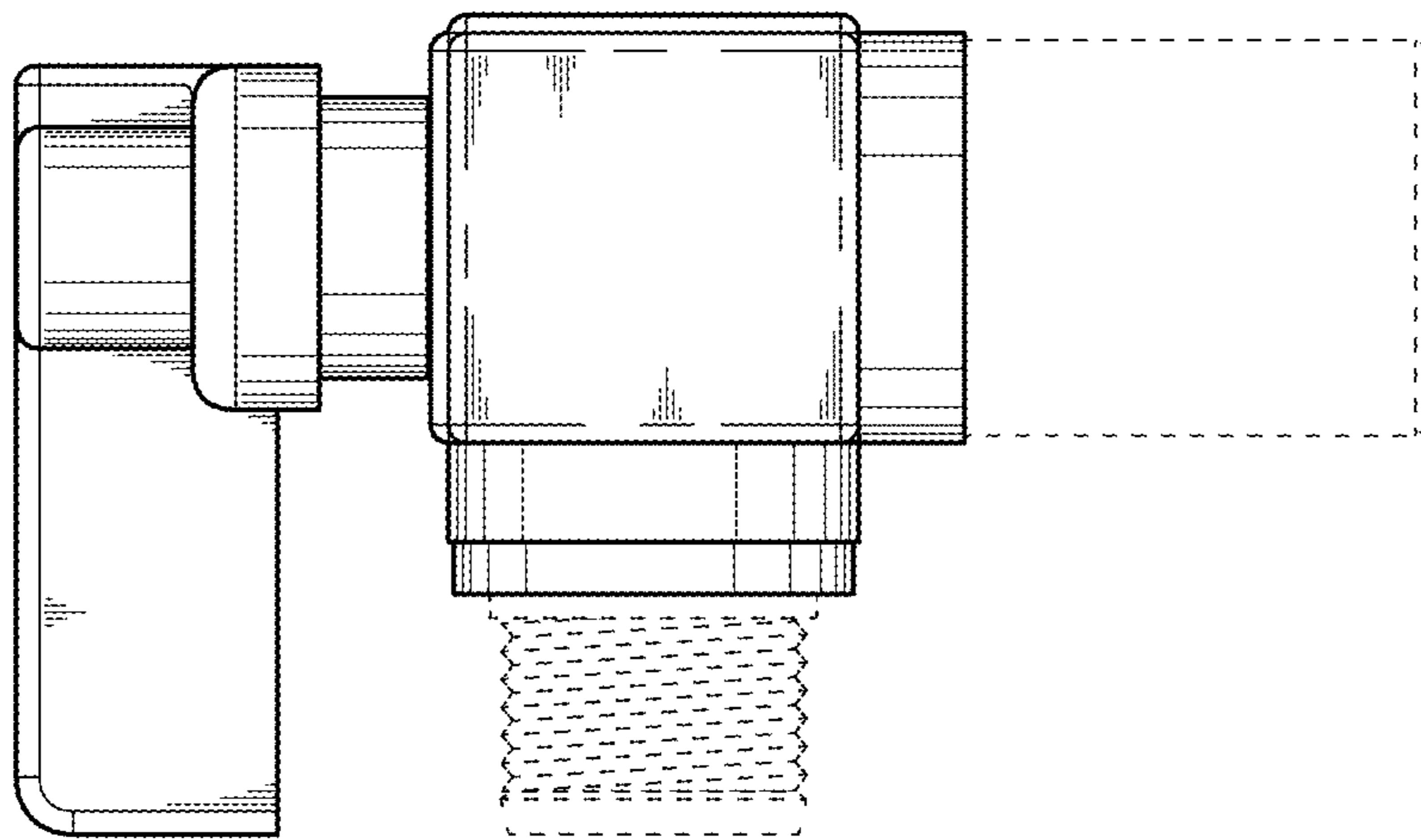


FIG. 4

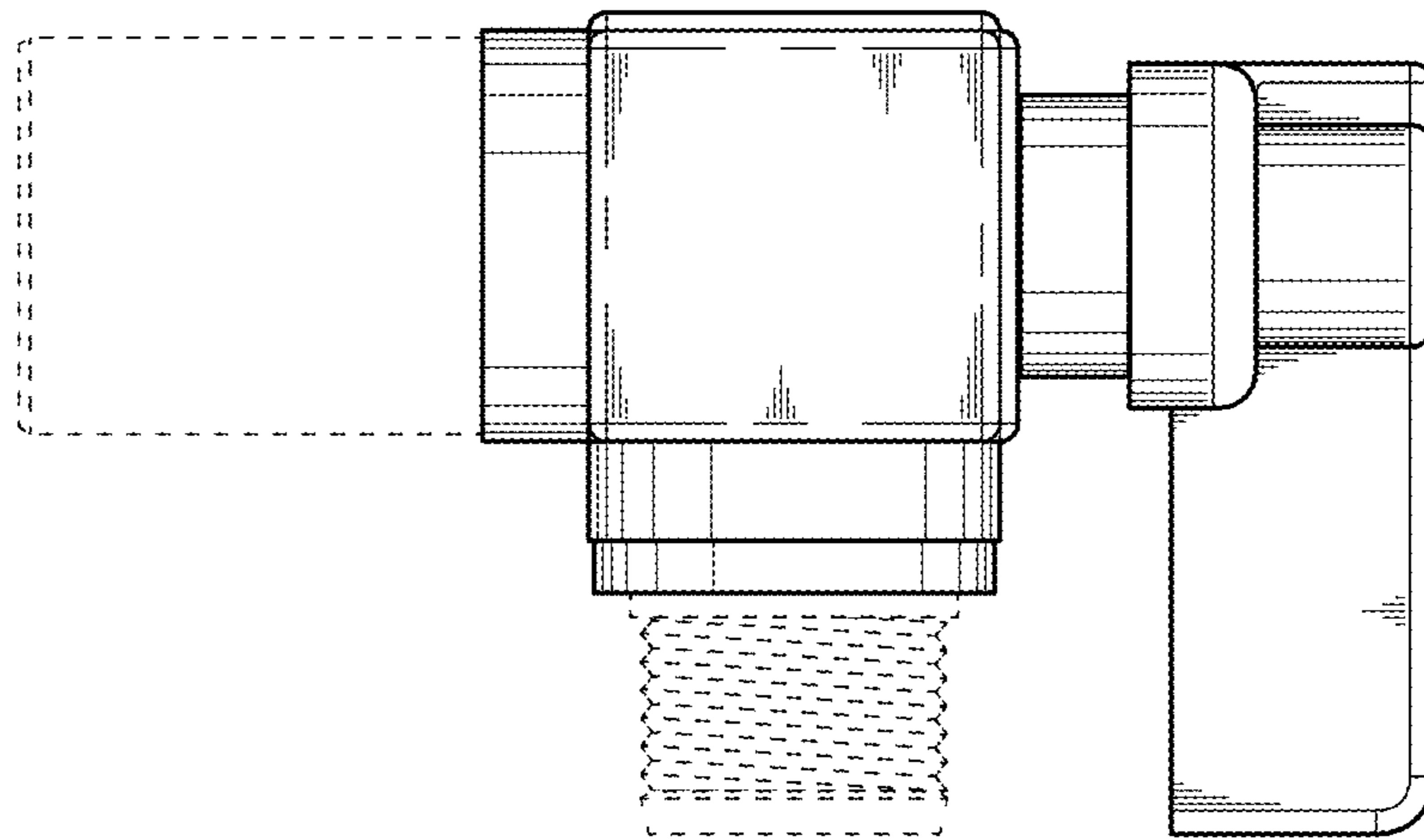


FIG. 5

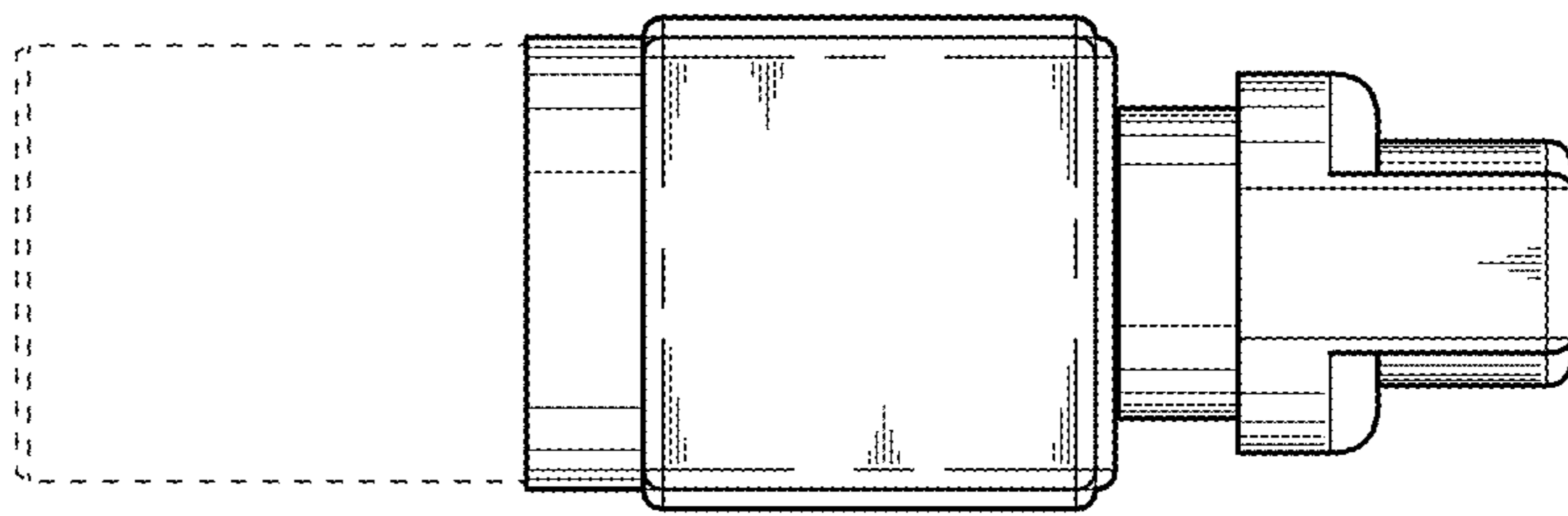


FIG. 6

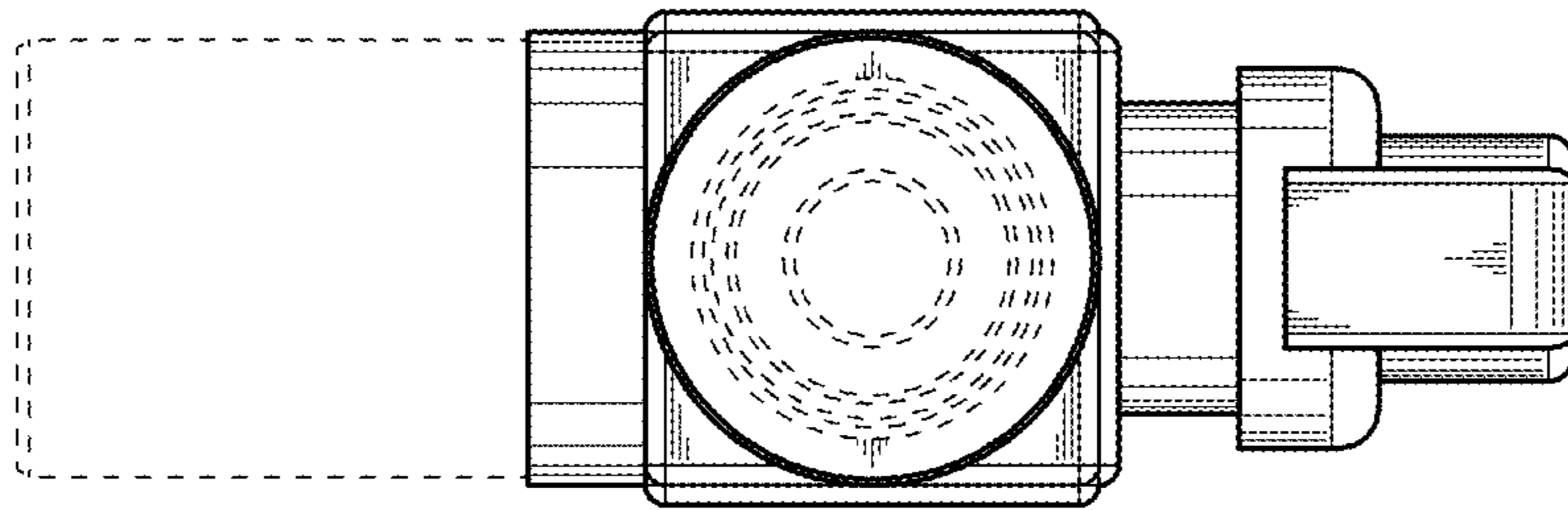


FIG. 7



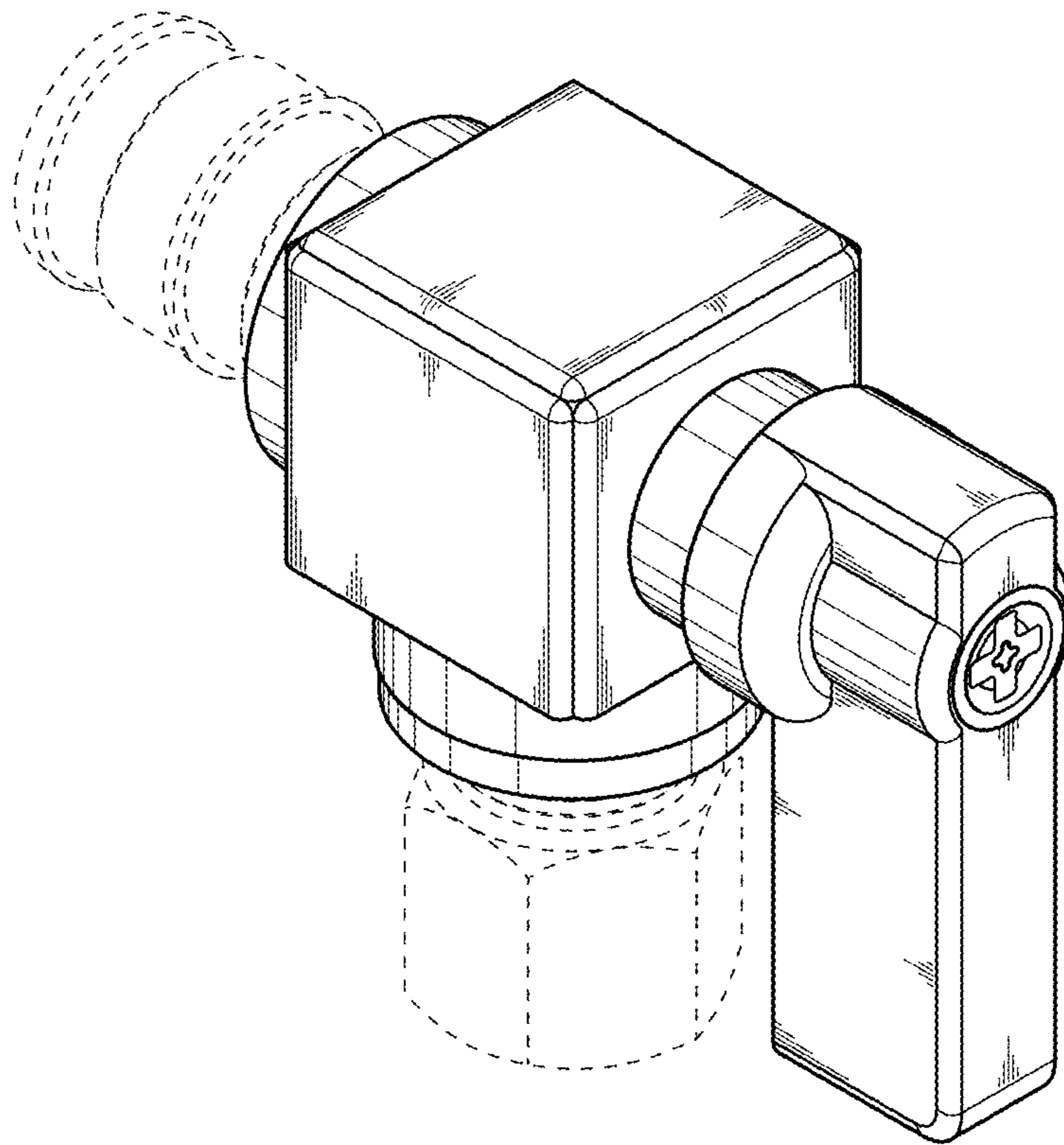


FIG. 8

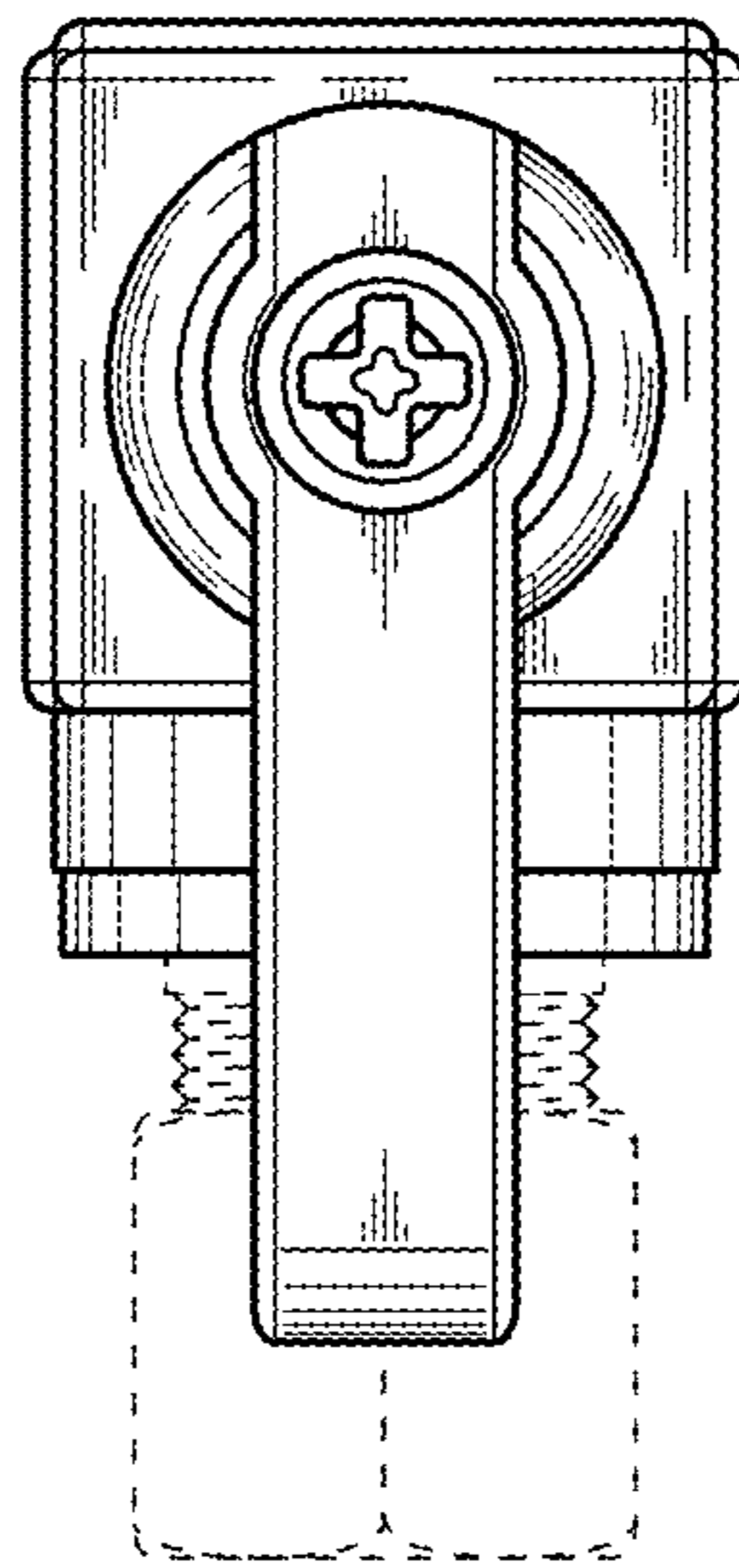


FIG. 9

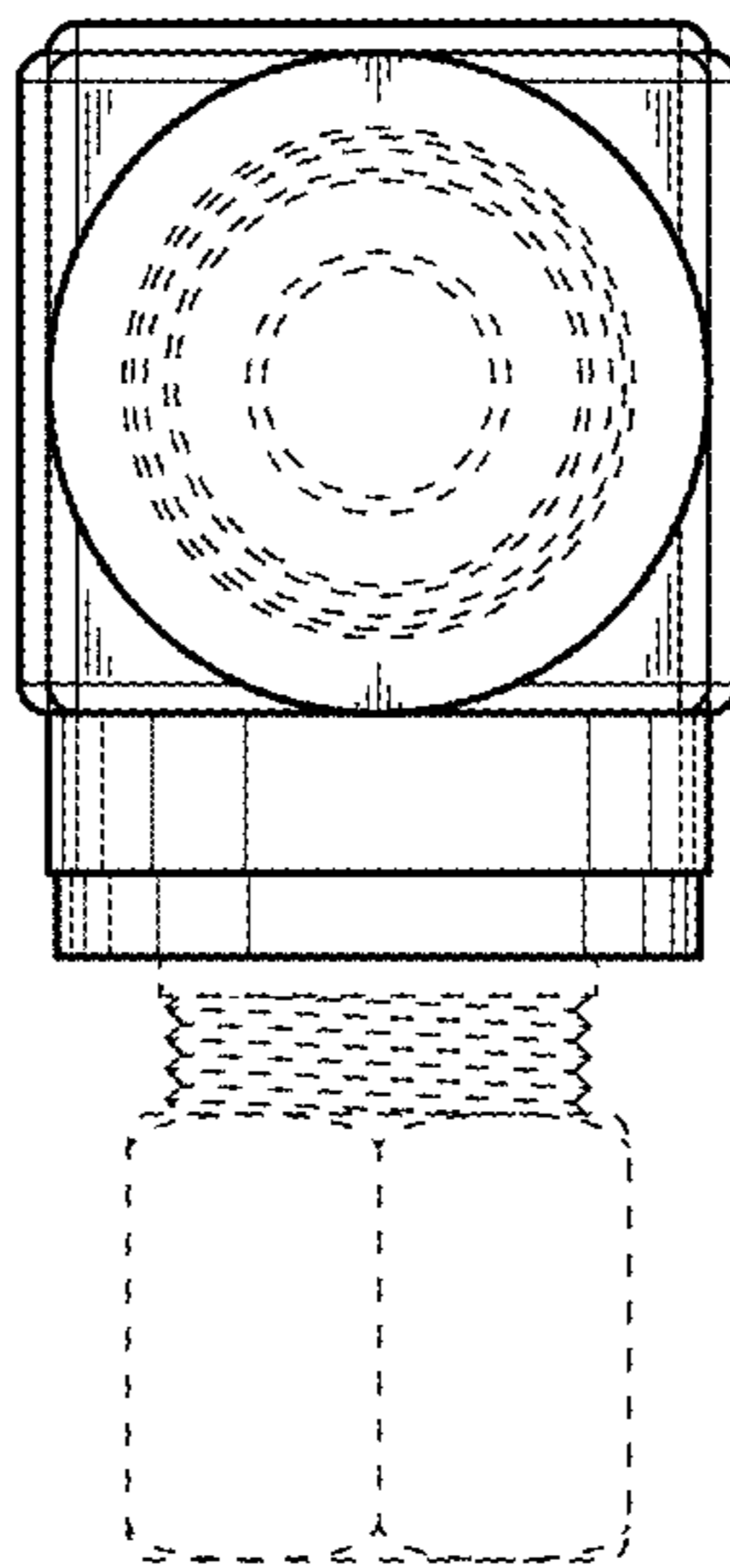


FIG. 10

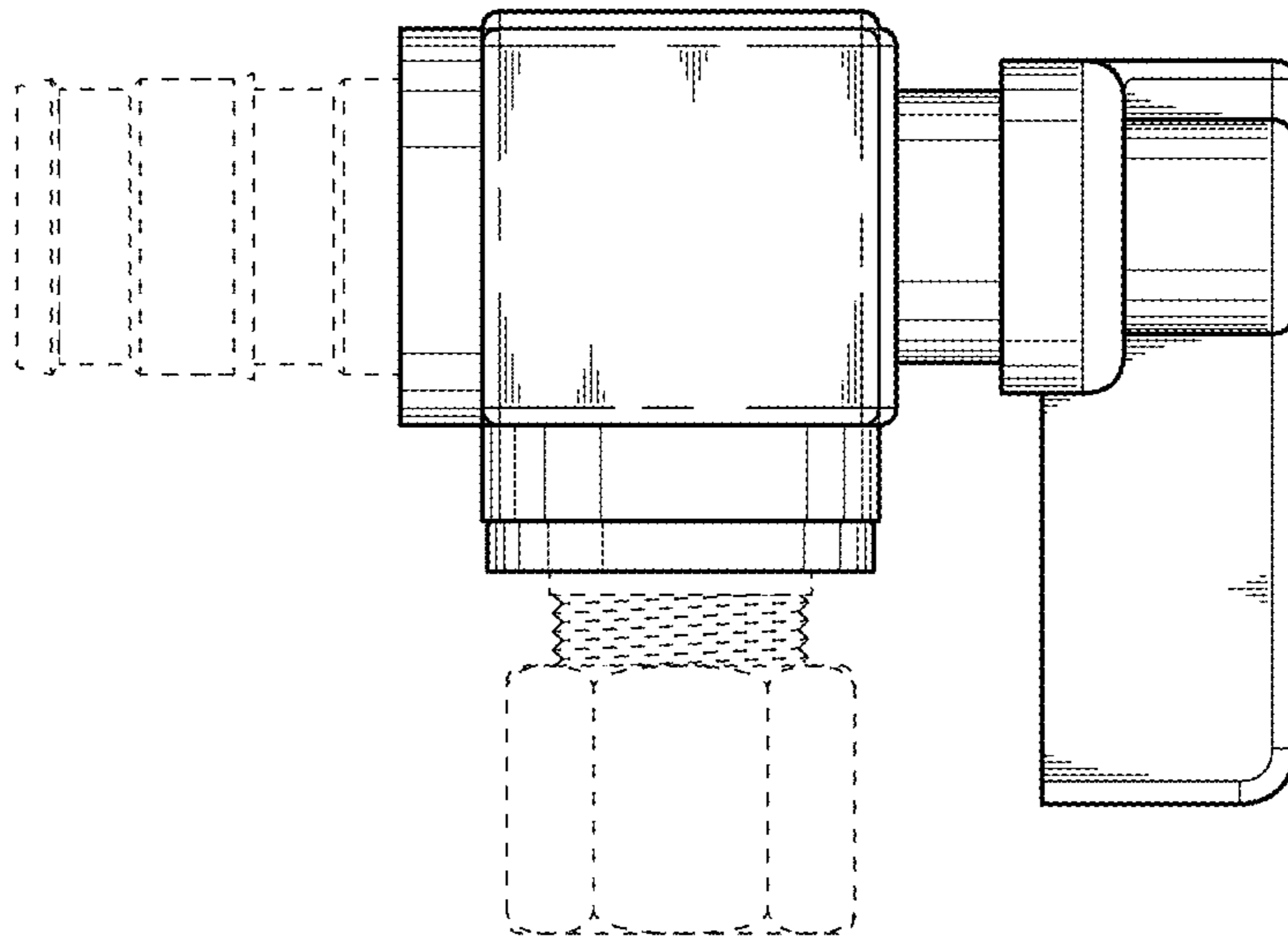


FIG. 11

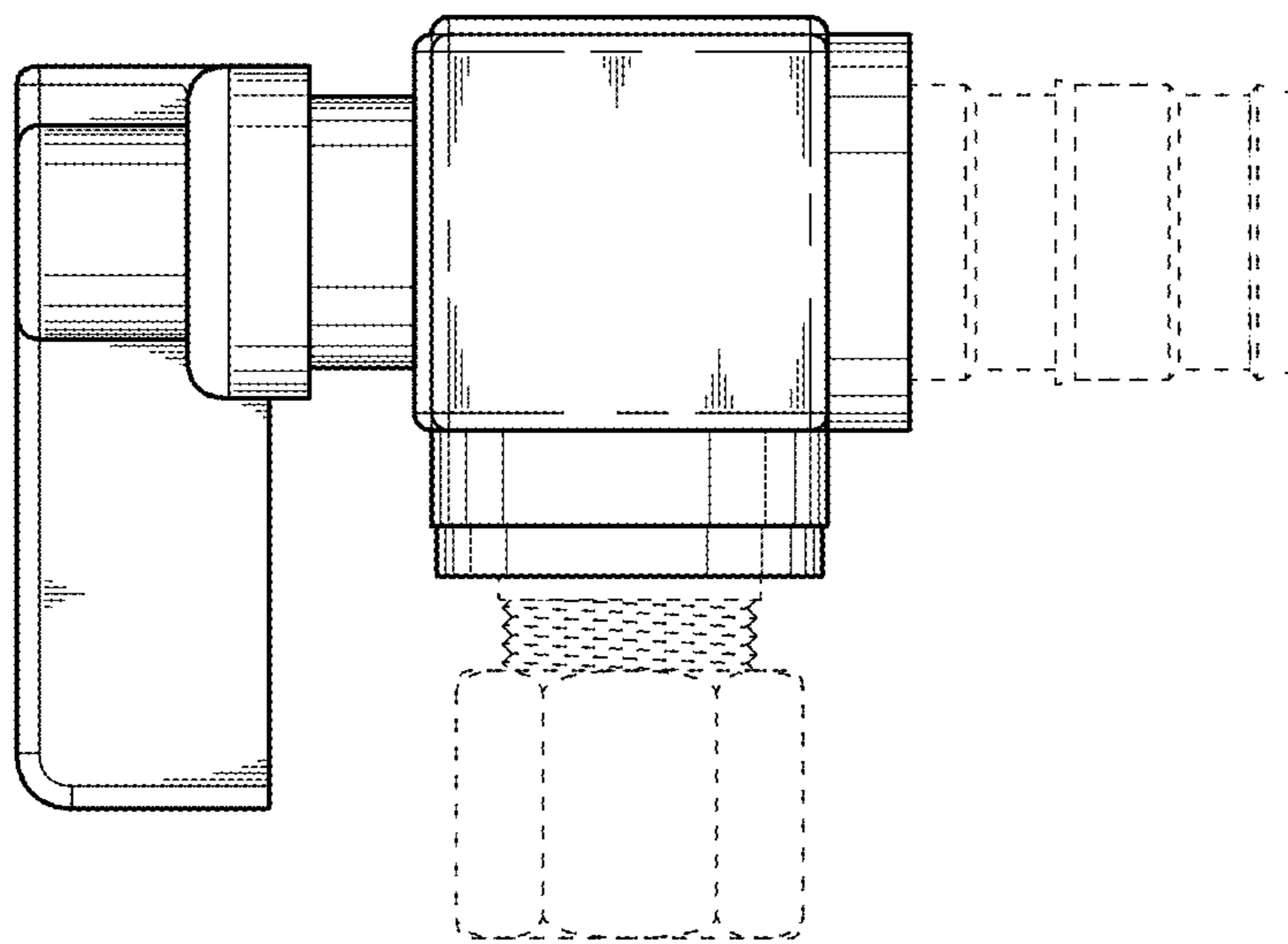


FIG. 12

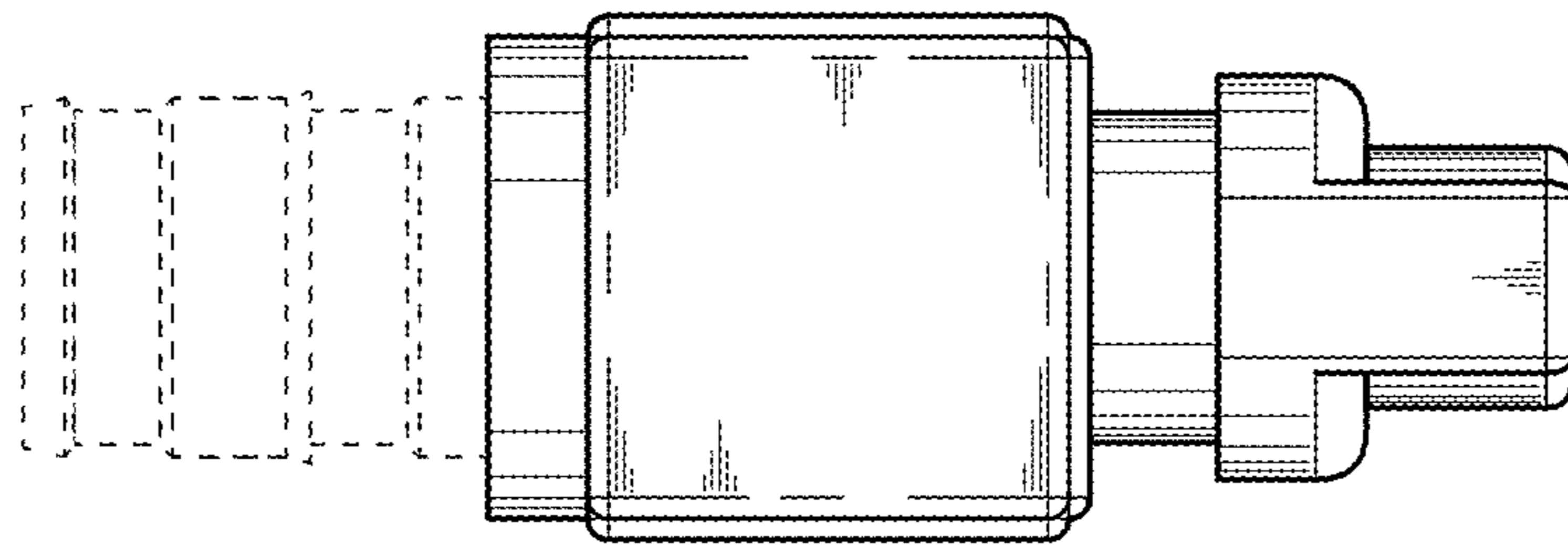


FIG. 13

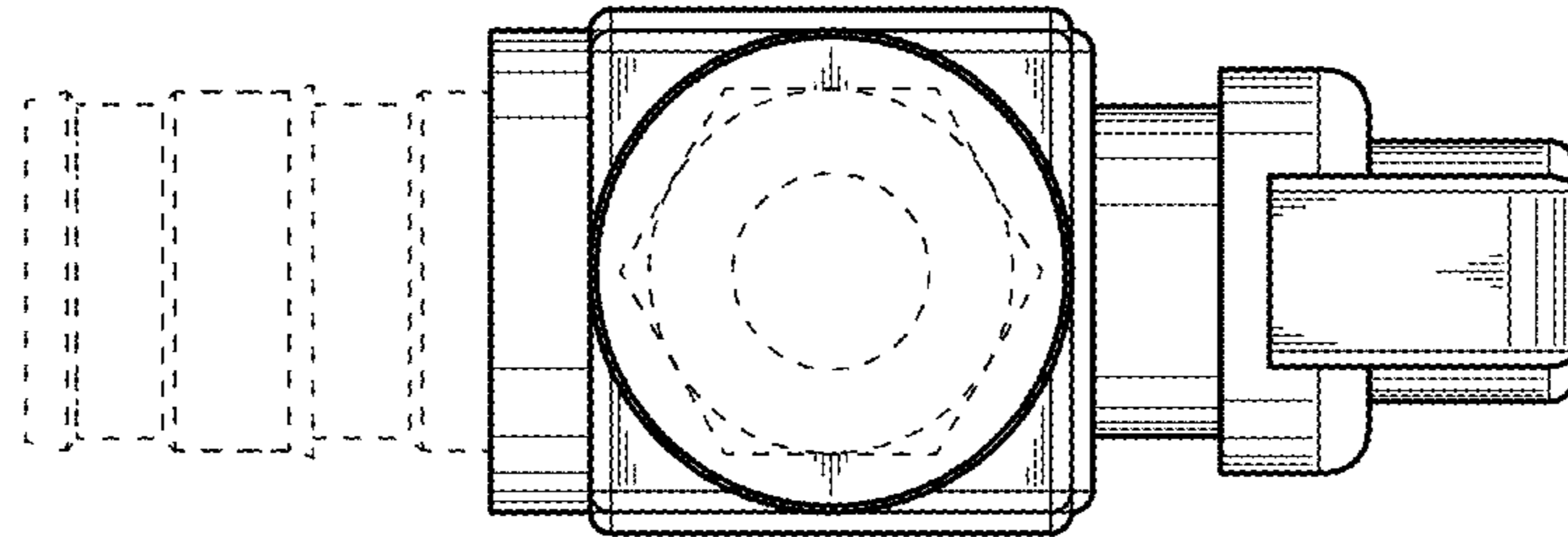


FIG. 14