



US00D834149S

(12) **United States Design Patent**
Yung

(10) **Patent No.:** **US D834,149 S**

(45) **Date of Patent:** **** Nov. 20, 2018**

(54) **SIDE PORT VALVE**

(71) Applicant: **Eastern Foundry & Fittings Inc.,**
Richmond Hill (CA)

(72) Inventor: **Jacky Chi Pang Yung,** Richmond Hill
(CA)

(73) Assignee: **Eastern Foundry & Fittings Inc.,**
Richmond Hill (CA)

(**) Term: **15 Years**

(21) Appl. No.: **29/593,573**

(22) Filed: **Feb. 9, 2017**

(51) **LOC (11) Cl.** **23-01**

(52) **U.S. Cl.**
USPC **D23/245**

(58) **Field of Classification Search**
USPC D23/233, 235, 236, 237, 241, 244, 245,
D23/248, 249, 250, 252, 259, 262, 263,
D23/266; 251/315.01, 315.16, 14, 148,
251/172, 181, 129.03, 214, 228, 235, 292,
251/315.03, 315.05, 315.1; 137/15.22,
137/533.11, 15.18, 553, 798, 1, 237
CPC F16K 27/067; F16K 5/0689; F16K 5/0647;
F16K 15/188; F16K 15/183; F16K
31/602; F16K 31/52458; E21B 2034/002;
F16L 37/47

See application file for complete search history.

(56) **References Cited**

U.S. PATENT DOCUMENTS

3,386,461 A * 6/1968 Fisher F16K 5/10
137/237
D297,354 S * 8/1988 Wirth D23/245

D321,928 S * 11/1991 Milo D23/245
D588,232 S * 3/2009 Giacomini D23/233
D757,217 S * 5/2016 Park D23/236
2012/0273709 A1 * 11/2012 Zhang F16K 5/0642
251/315.05
2014/0021394 A1 * 1/2014 Street F16K 27/067
251/315.01
2014/0090713 A1 * 4/2014 Sarnowski F16K 5/0605
137/1

* cited by examiner

Primary Examiner — Cynthia Ramirez

Assistant Examiner — Gino Colan

(74) *Attorney, Agent, or Firm* — Elan IP Inc.

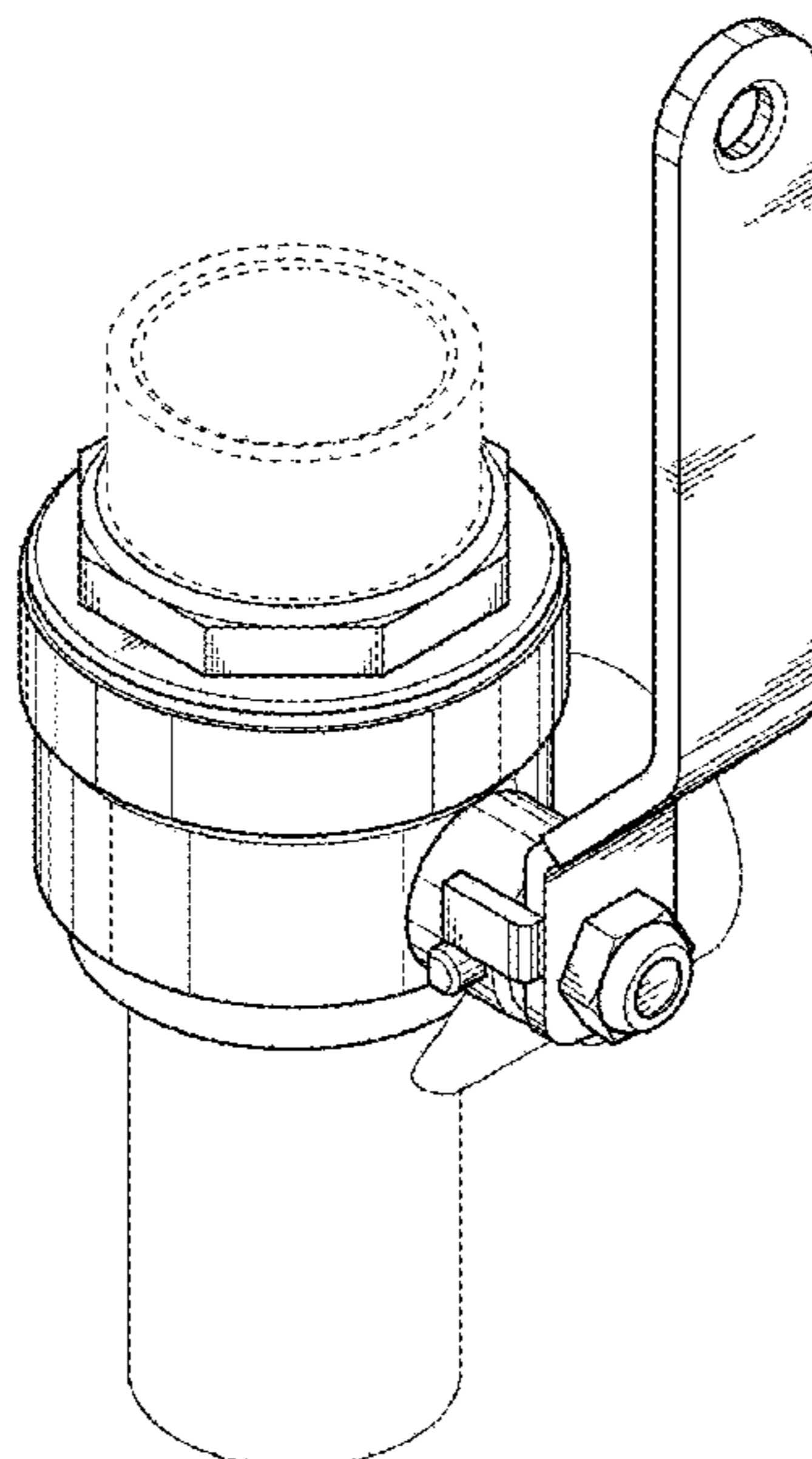
(57) **CLAIM**

The ornamental design for a side port valve, as shown and described.

DESCRIPTION

FIG. 1 is a perspective view of a side port valve showing my new design;
FIG. 2 is a bottom plan view thereof;
FIG. 3 is a top plan view thereof;
FIG. 4 is a front elevation view thereof;
FIG. 5 is a rear elevation view thereof
FIG. 6 is a right side elevation view thereof; and,
FIG. 7 is a left side elevation view thereof.
The broken lines shown in the drawings are for the purpose of illustrating portions of the side port valve and form no part of the claimed design.

1 Claim, 7 Drawing Sheets



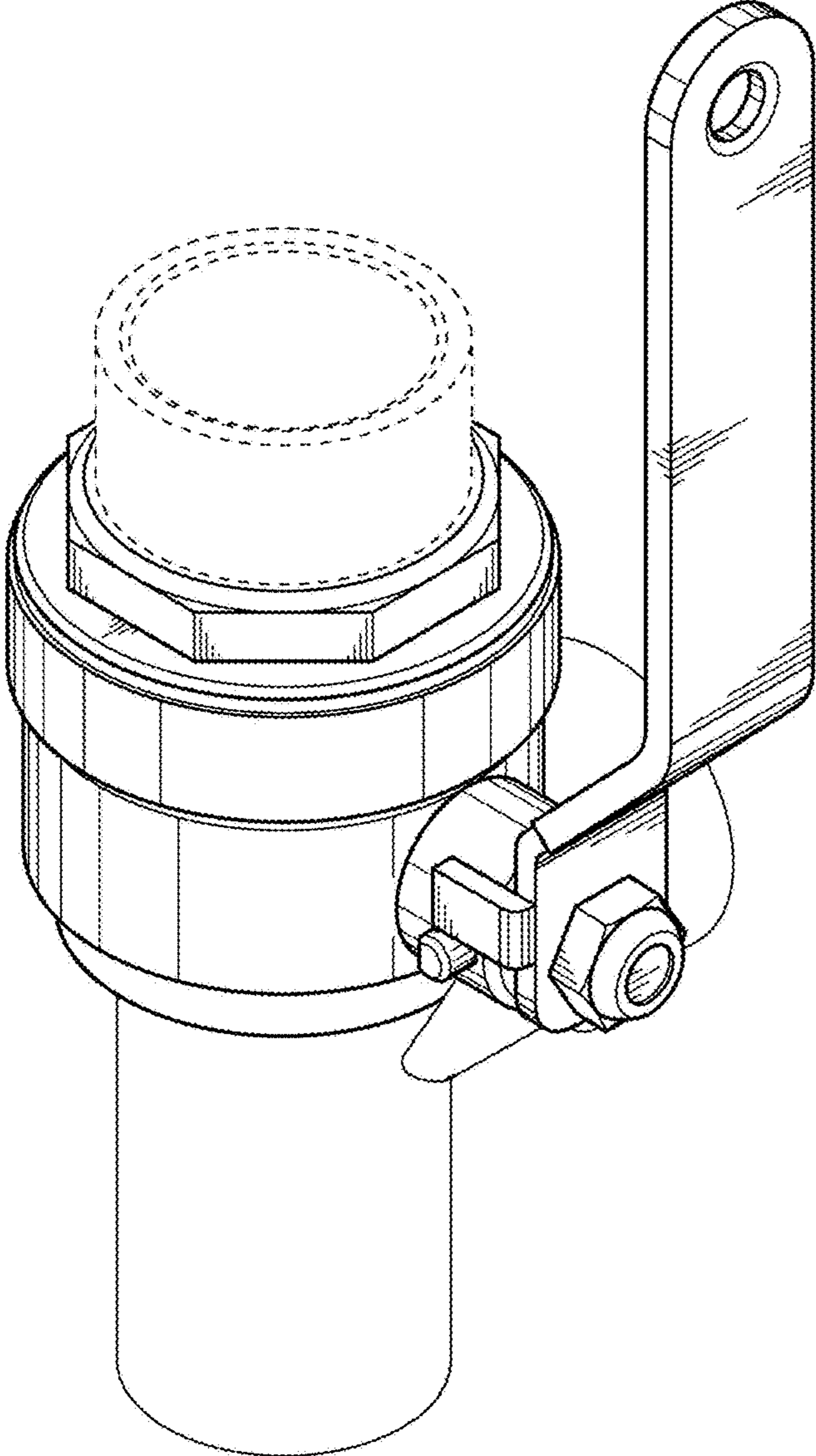


Fig. 1

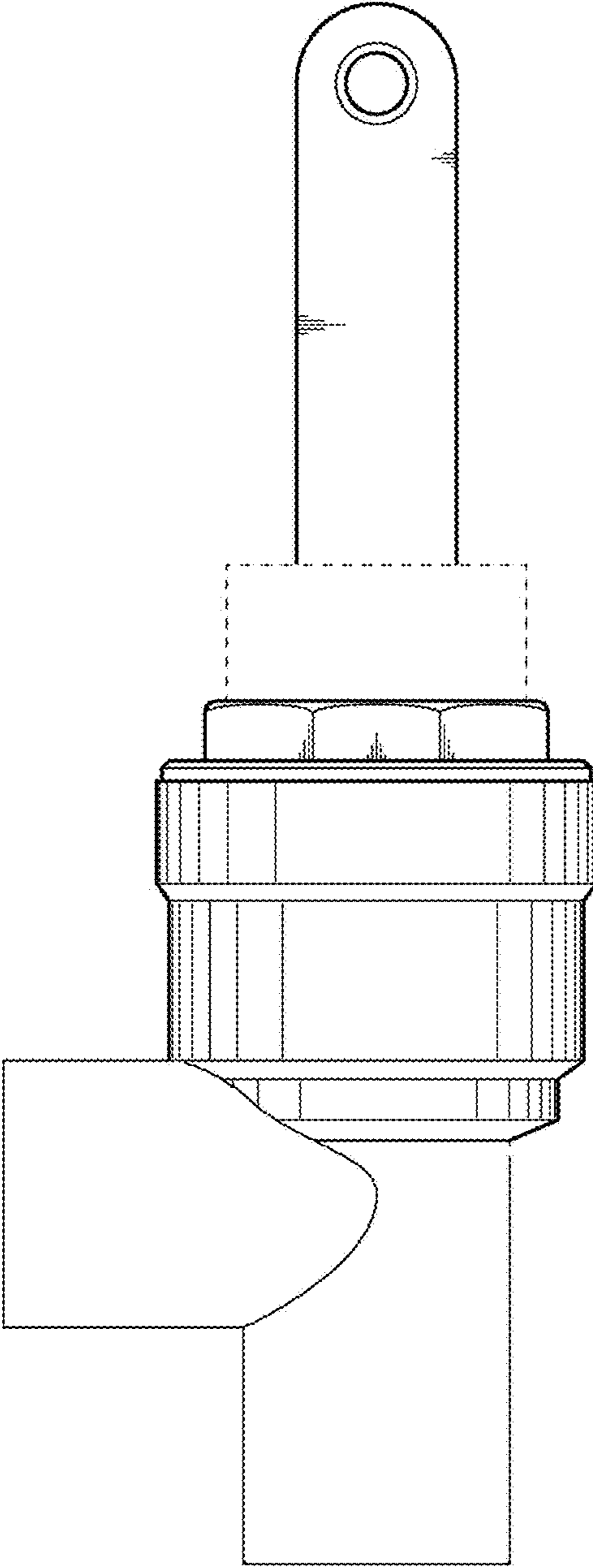


Fig. 2

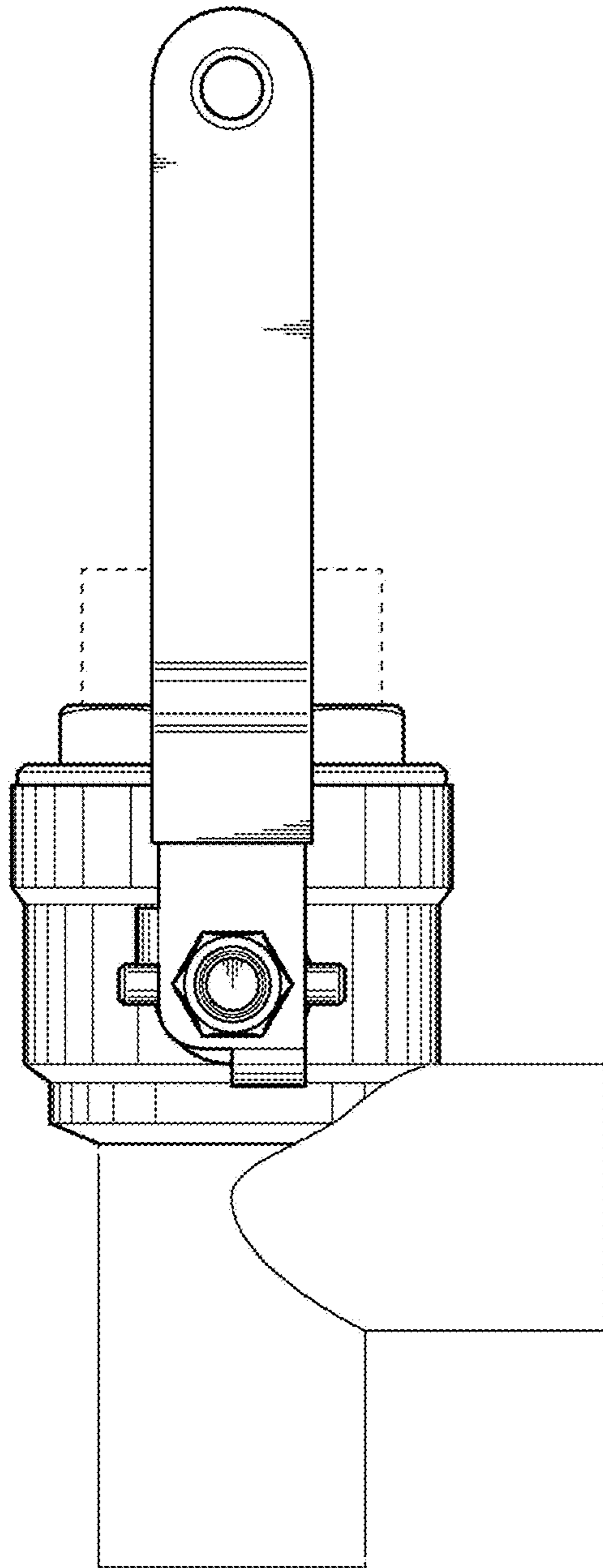


Fig. 3

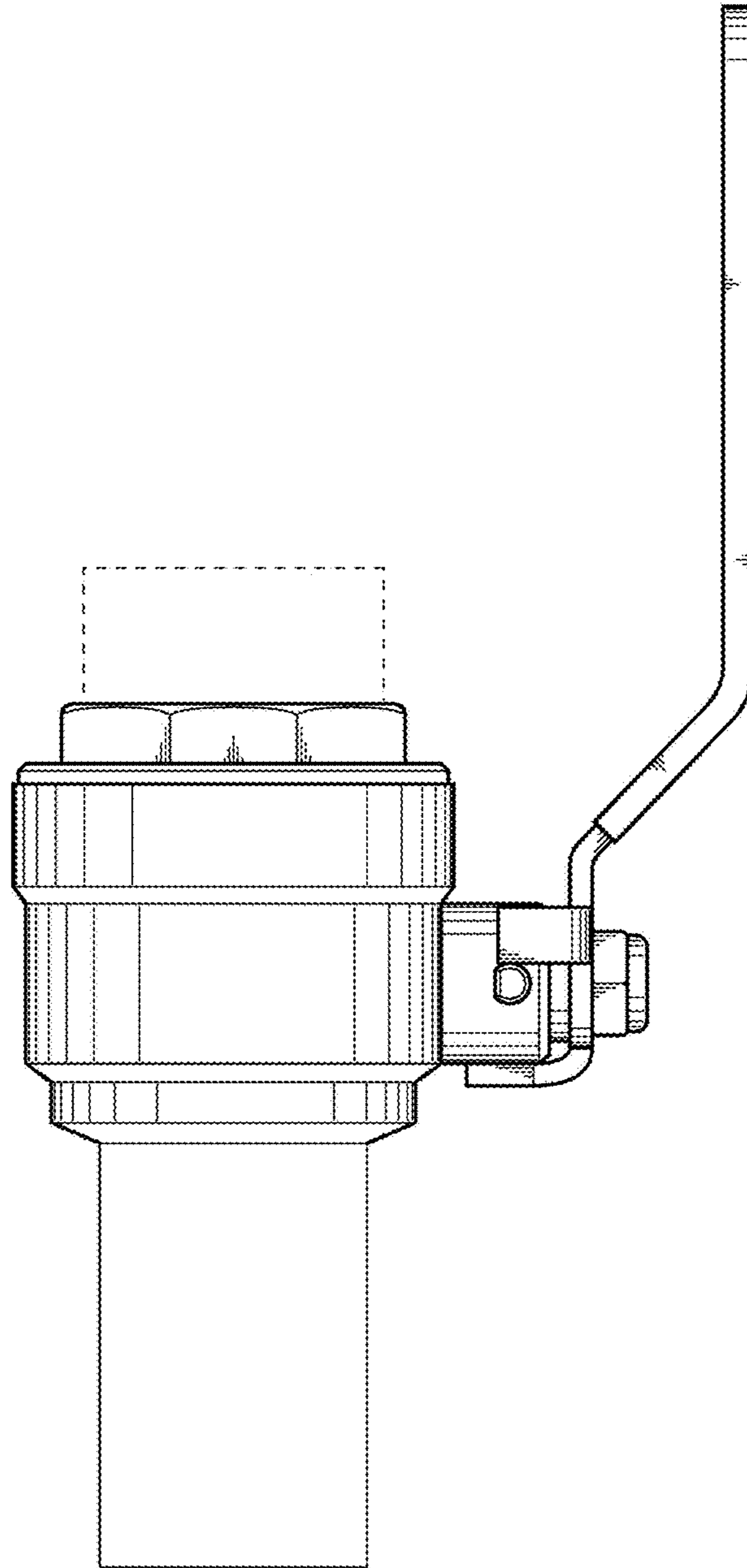


Fig. 4

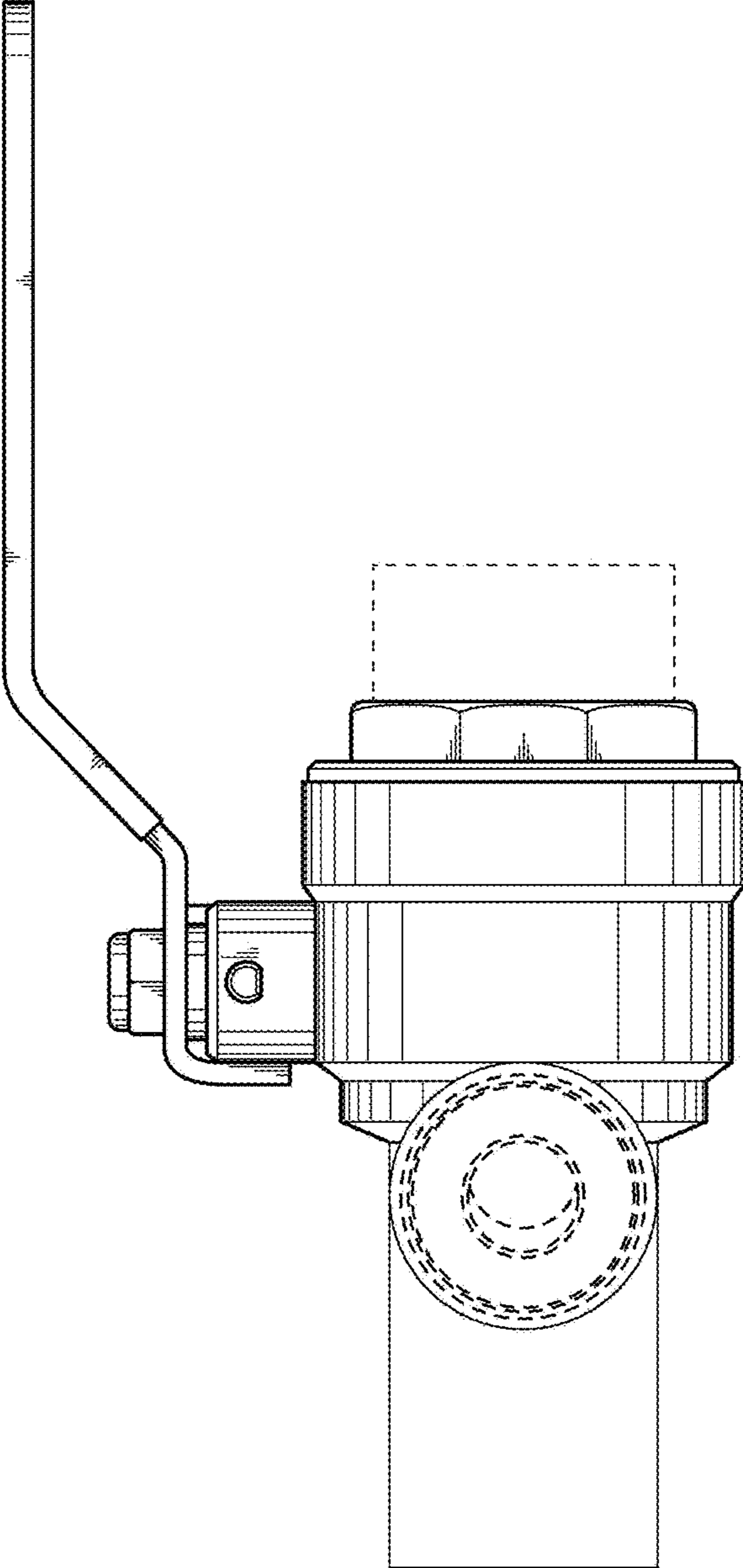


Fig. 5

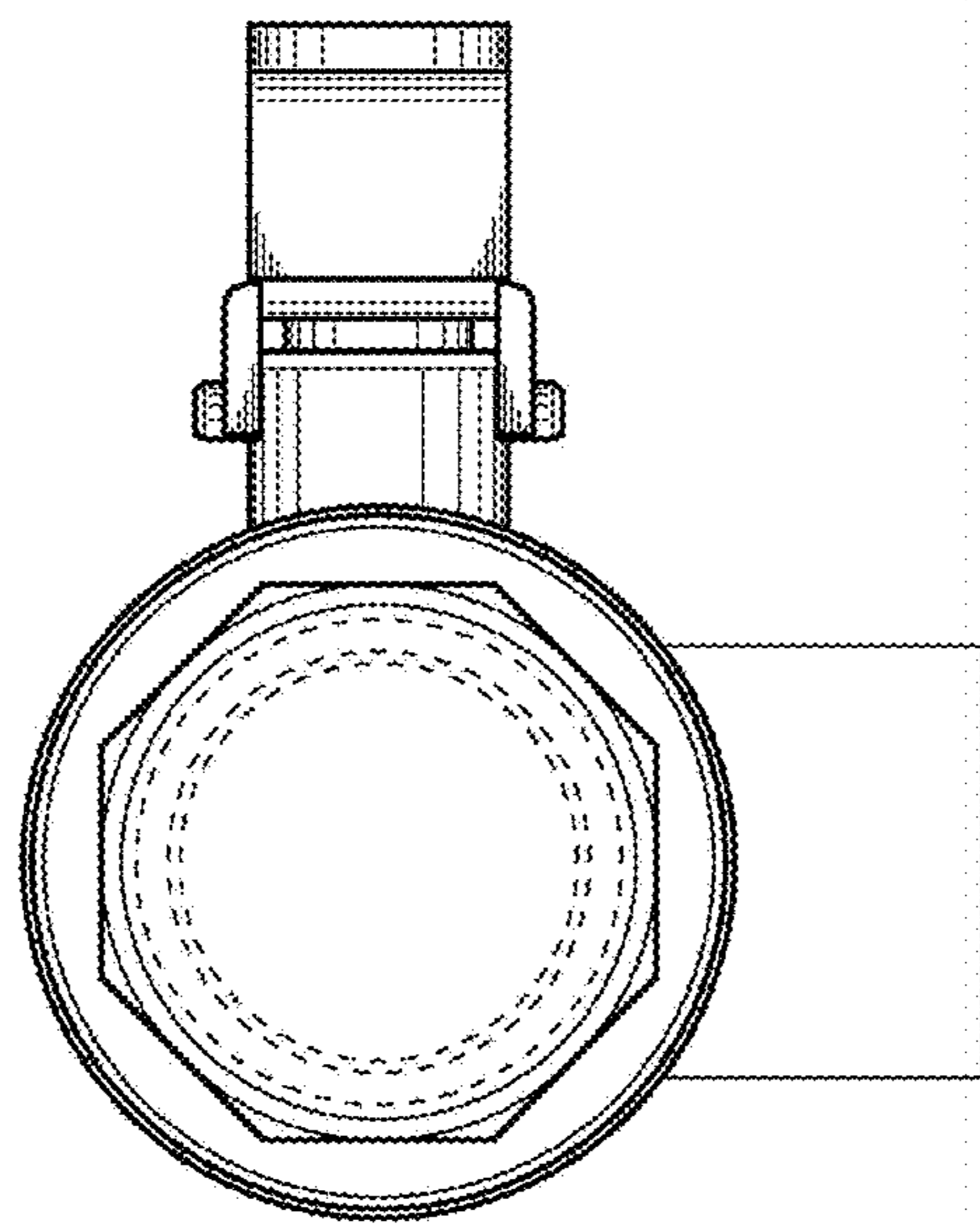


Fig. 6

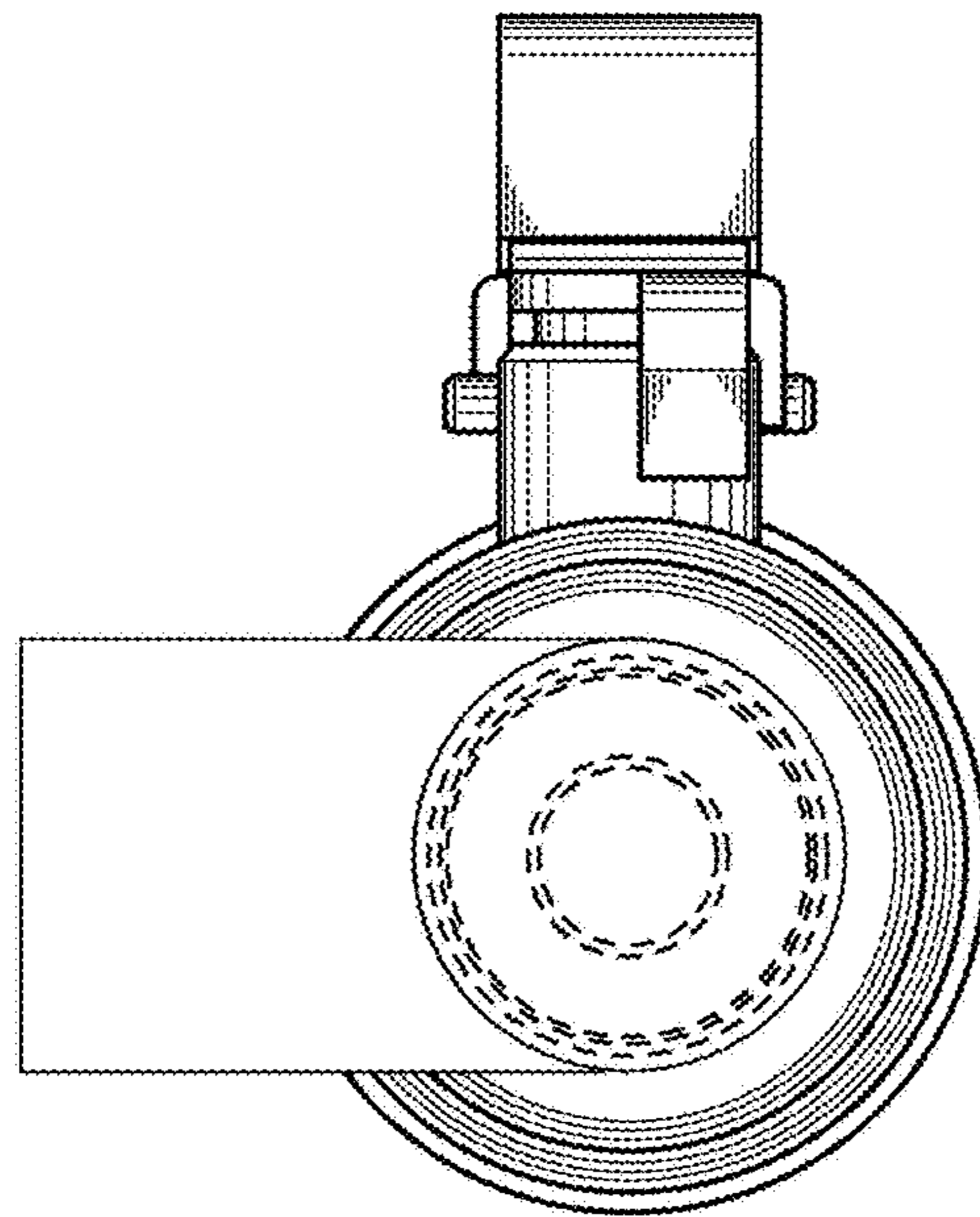


Fig. 7