



US00D834148S

(12) **United States Design Patent** (10) **Patent No.:** **US D834,148 S**  
**Thomas** (45) **Date of Patent:** **\*\* Nov. 20, 2018**

- (54) **FAUCET AND FAUCET ASSEMBLY**
- (71) Applicant: **Roger P. Thomas**, Las Vegas, NV (US)
- (72) Inventor: **Roger P. Thomas**, Las Vegas, NV (US)
- (\*\*) Term: **15 Years**
- (21) Appl. No.: **29/625,308**
- (22) Filed: **Nov. 8, 2017**

D541,388 S *	4/2007	Dolan	.....	D23/255
D543,609 S *	5/2007	Dolan	.....	D23/255
D554,236 S *	10/2007	Dolan	.....	D23/255
D563,524 S *	3/2008	Wolf	.....	D23/238
D573,697 S *	7/2008	Hanna	.....	D23/257
D581,027 S *	11/2008	Dolan	.....	D23/255
D581,494 S *	11/2008	Dolan	.....	D23/255
D622,817 S	8/2010	Painter		
D694,369 S	11/2013	Mendoza		
D718,424 S *	11/2014	Smith	.....	D23/255
D793,538 S	8/2017	Fritz		

(Continued)

**Related U.S. Application Data**

- (63) Continuation of application No. 29/577,679, filed on Sep. 14, 2016.
- (51) **LOC (11) Cl.** ..... **23-01**
- (52) **U.S. Cl.**  
USPC ..... **D23/242**
- (58) **Field of Classification Search**  
USPC ..... D23/238-243, 249-250, 252, 254-255,  
D23/257; D8/307-308  
CPC ..... Y10T 137/9464  
See application file for complete search history.

*Primary Examiner* — Robert A Delehanty

(74) *Attorney, Agent, or Firm* — Potter Anderson and Corroon LLP

(57) **CLAIM**

The ornamental design for a faucet and faucet assembly, as shown and described.

**DESCRIPTION**

FIG. 1 is a left-front perspective view of an embodiment of a faucet and faucet assembly according to the present invention;

FIG. 2 is a front elevational view of the faucet and faucet assembly of FIG. 1;

FIG. 3 is a rear elevational view of the faucet and faucet assembly of FIG. 1;

FIG. 4 is a left side elevational view of the faucet and faucet assembly of FIG. 1 and is a mirror image of the right side of the faucet and faucet assembly of FIG. 1;

FIG. 5 is a top plan view of the faucet and faucet assembly of FIG. 1; and,

FIG. 6 is a bottom view of the faucet and faucet assembly of FIG. 1.

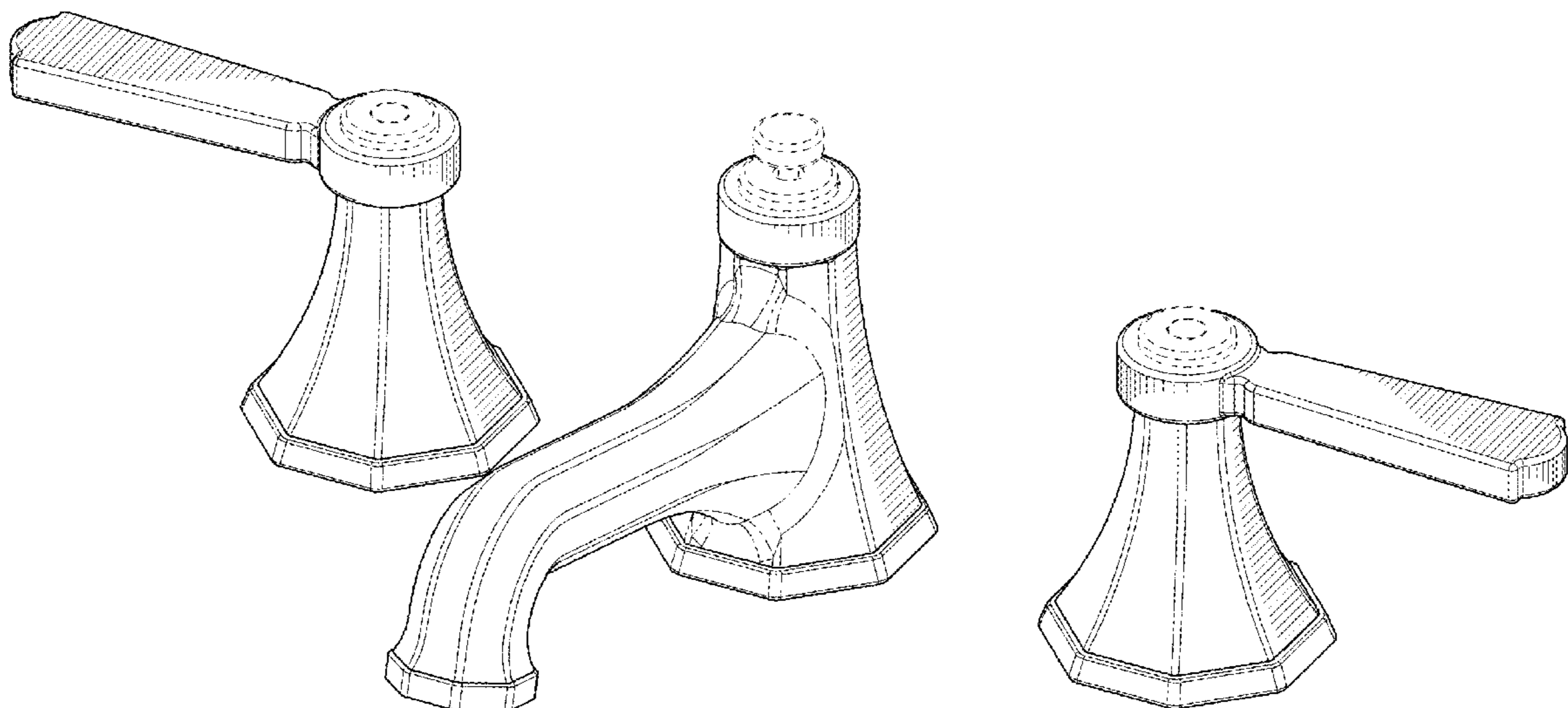
The broken lines contained in the Figures are for illustrative purposes only and form no part of the claimed design.

(56) **References Cited**

U.S. PATENT DOCUMENTS

D96,839 S	9/1935	Johnston		
D291,236 S	8/1987	Delepine		
D300,653 S *	4/1989	Paul	.....	D23/255
6,317,905 B1 *	11/2001	Sloflower	.....	E03C 1/04 137/217
D462,418 S *	9/2002	Smith	.....	D23/238
D465,829 S	11/2002	Singtoroj		
D466,197 S *	11/2002	Singtoroj	.....	D23/255
D468,405 S *	1/2003	McKeone	.....	D23/249
D468,810 S *	1/2003	Smith	.....	D23/255
D472,615 S *	4/2003	Smith	.....	D23/238
D476,064 S	6/2003	Smith		
D492,009 S	8/2004	Egee		
D522,093 S	5/2006	Fritz		

**1 Claim, 6 Drawing Sheets**



(56)

**References Cited**

U.S. PATENT DOCUMENTS

D800,260 S \* 10/2017 Fritz ..... D23/238  
2004/0139544 A1 \* 7/2004 Williams ..... E03C 1/04  
4/675

\* cited by examiner

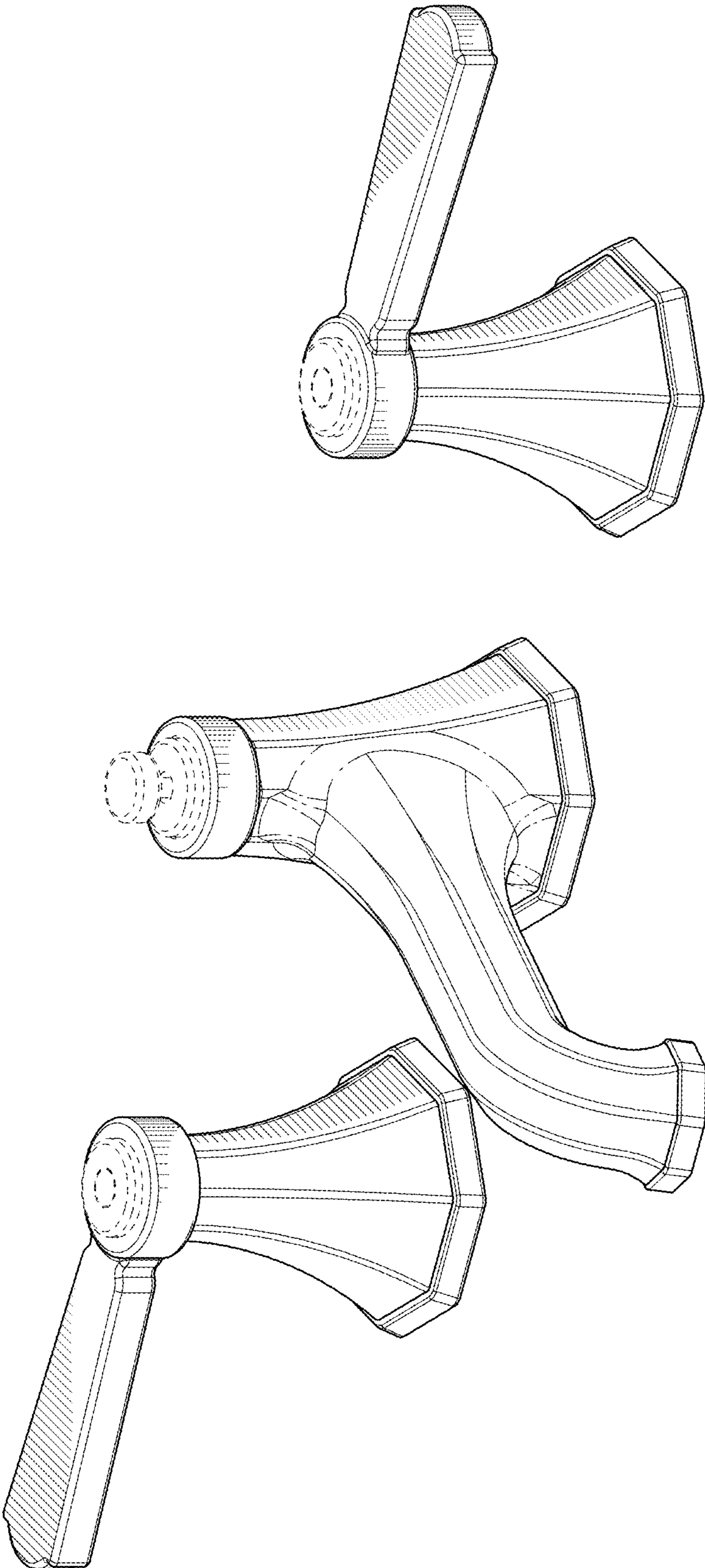


FIG. 1

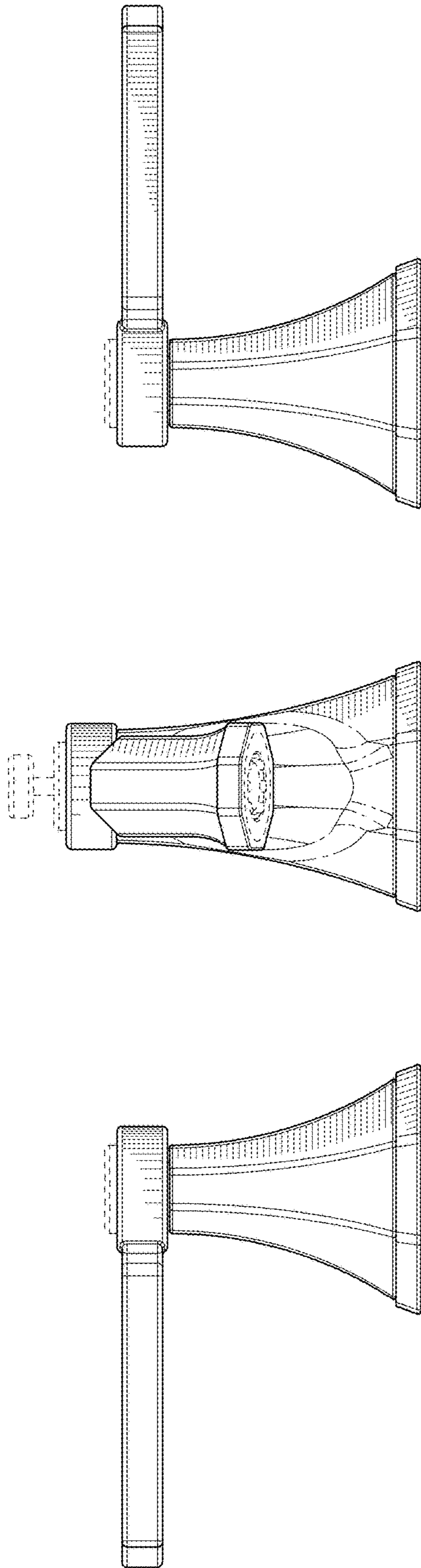


FIG. 2



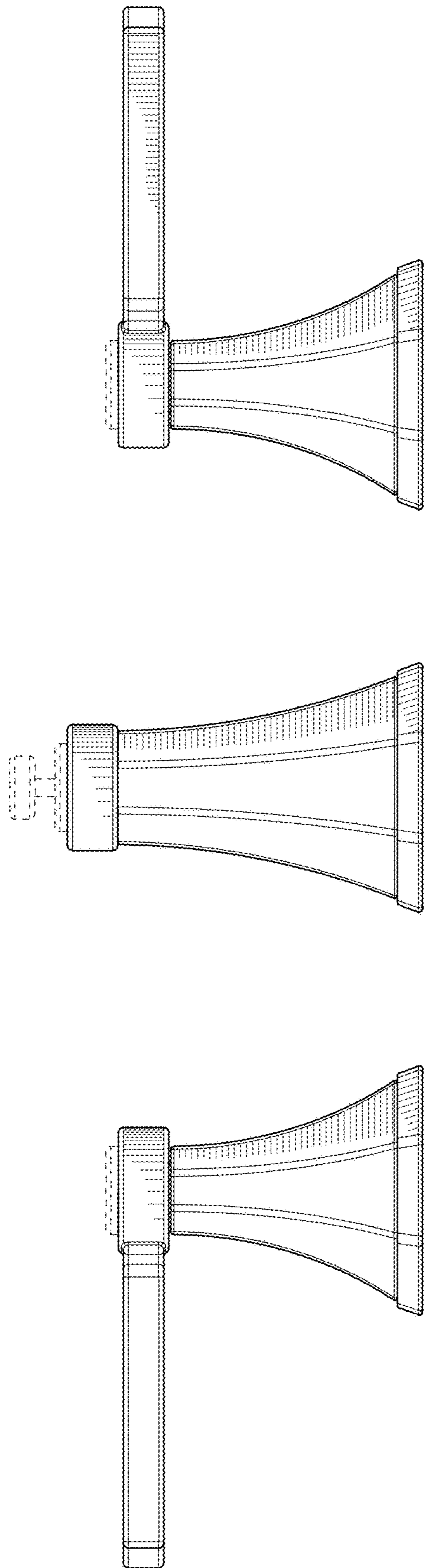


FIG. 3

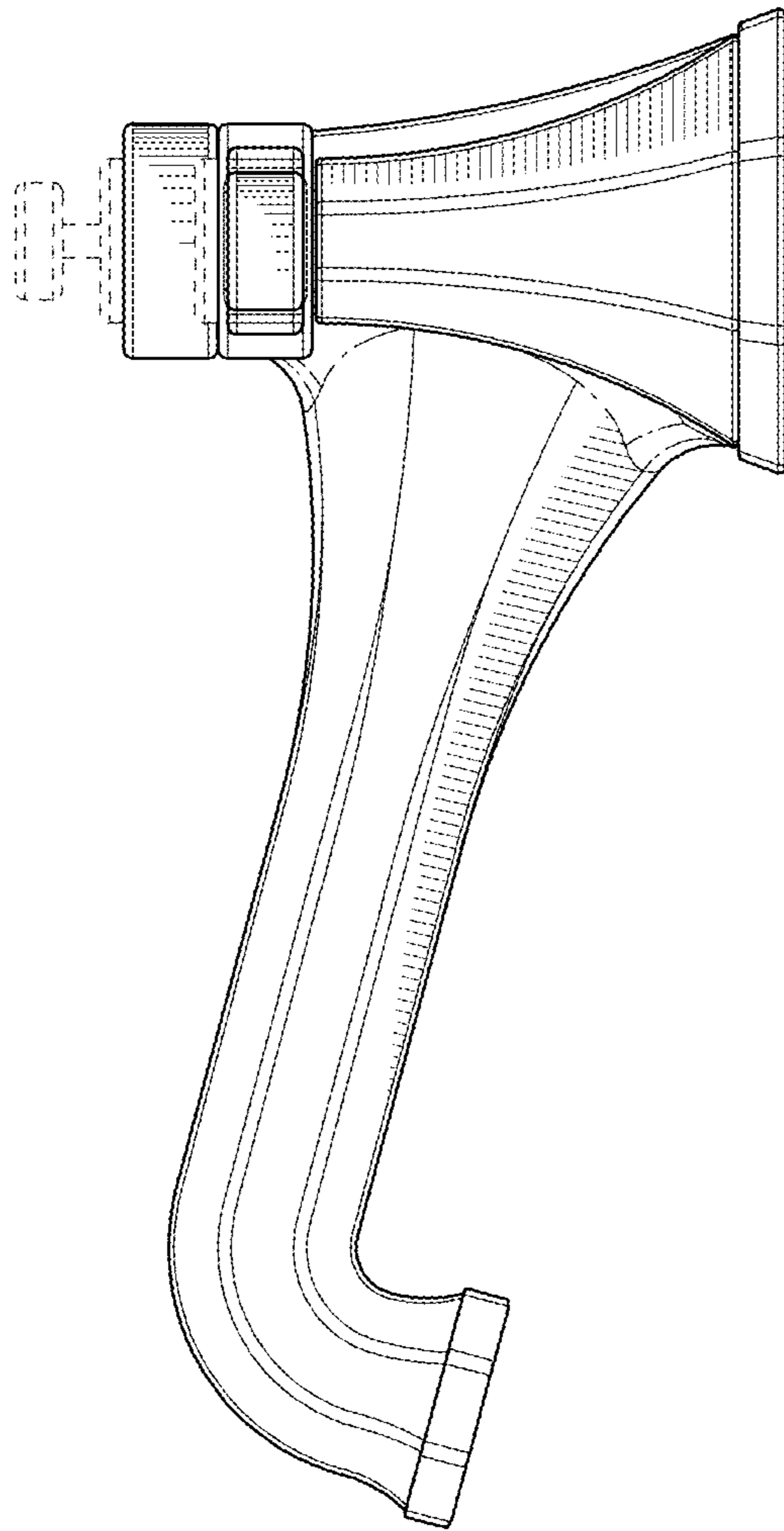


FIG. 4

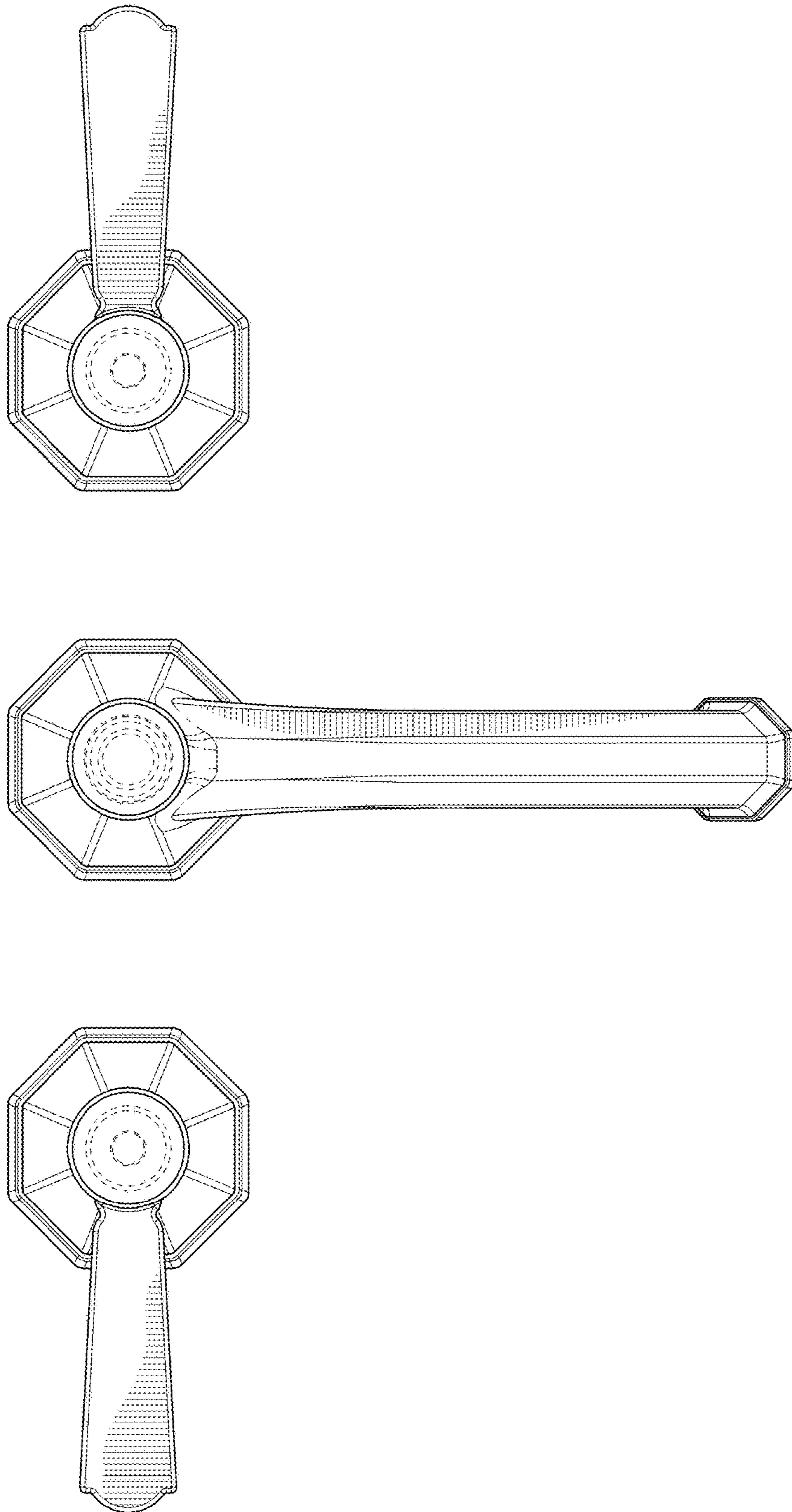


FIG. 5

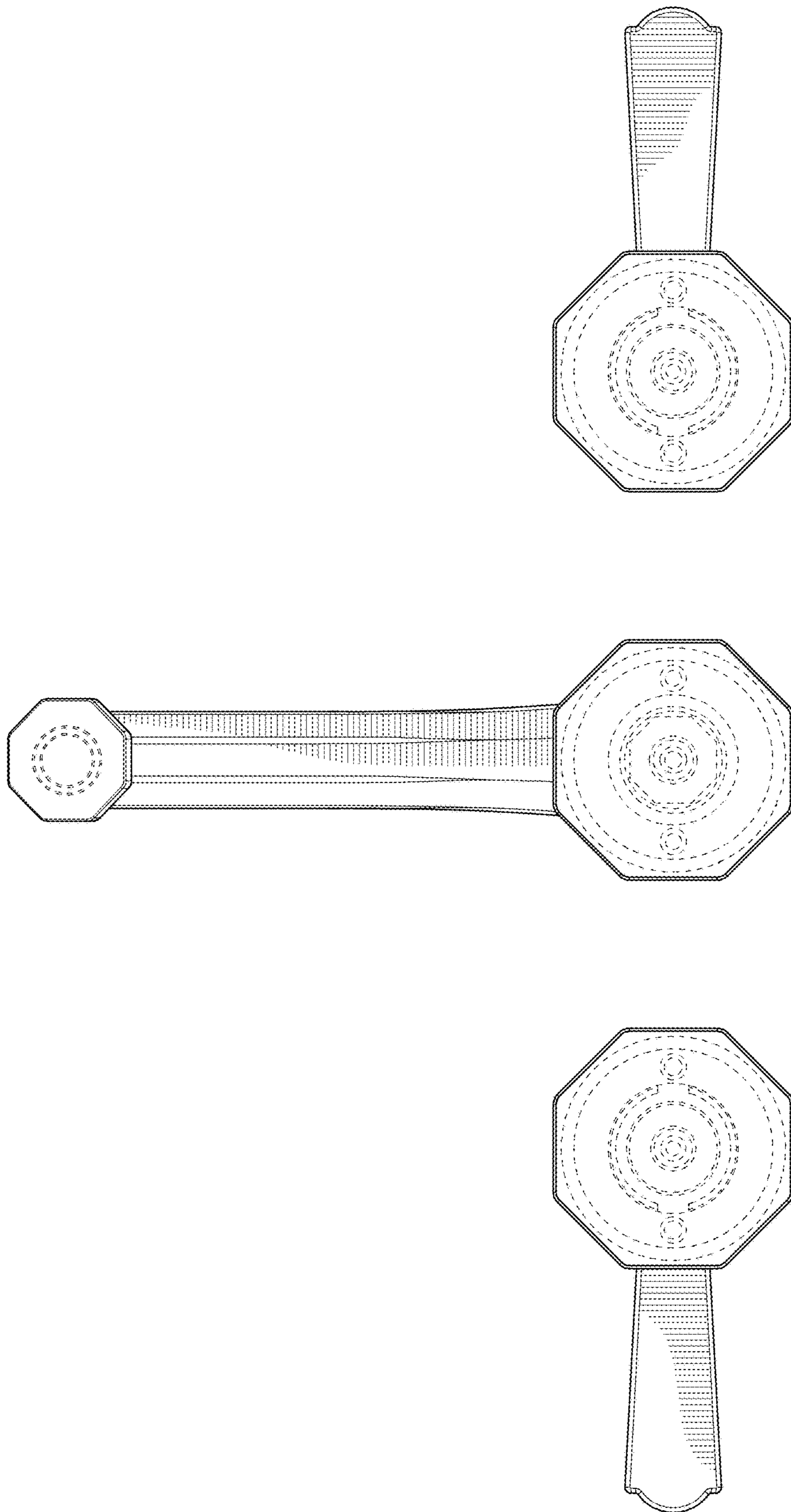


FIG. 6