

US00D834147S

(12) **United States Design Patent** (10) **Patent No.:** **US D834,147 S**
Rexach et al. (45) **Date of Patent:** **** Nov. 20, 2018**

(54) **TUB FILLER**

D757,905 S 5/2016 Rexach
D758,546 S 6/2016 Rexach
D803,986 S * 11/2017 Schoenherr D23/238

(71) Applicant: **Kohler Co.**, Kohler, WI (US)

* cited by examiner

(72) Inventors: **Rafael A. Rexach**, Sheboygan, WI (US); **Tory L. Hayner**, Howards Grove, WI (US); **Drew Johnson**, Sheboygan, WI (US)

Primary Examiner — Robert A Delehanty
(74) *Attorney, Agent, or Firm* — Foley & Lardner LLP

(73) Assignee: **KOHLER CO.**, Kohler, WI (US)

(57) **CLAIM**

We claim the ornamental design for a tub filler, as shown and described.

(**) Term: **15 Years**

DESCRIPTION

(21) Appl. No.: **29/577,328**

(22) Filed: **Sep. 12, 2016**

(51) **LOC (11) Cl.** **23-01**

(52) **U.S. Cl.**
USPC **D23/239**

(58) **Field of Classification Search**
USPC D23/238–243, 249–250, 252, 254–255, D23/257
CPC E03C 1/0412; Y10T 137/9464
See application file for complete search history.

FIG. 1 is a top, front, left perspective view of an exemplary embodiment of the claimed design;
FIG. 2 is a front elevation view thereof;
FIG. 3 is a rear elevation view thereof;
FIG. 4 is a right side elevation view thereof;
FIG. 5 is a left side elevation view thereof;
FIG. 6 is a top plan view thereof;
FIG. 7 is a bottom plan view thereof;
FIG. 8 is a top, front, left perspective view of the exemplary embodiment of FIG. 1, showing one possible exemplary embodiment of a hand shower in dashed lines;
FIG. 9 is a front elevation view thereof;
FIG. 10 is a rear elevation view thereof;
FIG. 11 is a right side elevation view thereof;
FIG. 12 is a left side elevation view thereof;
FIG. 13 is a top plan view thereof; and,
FIG. 14 is a bottom plan view thereof.

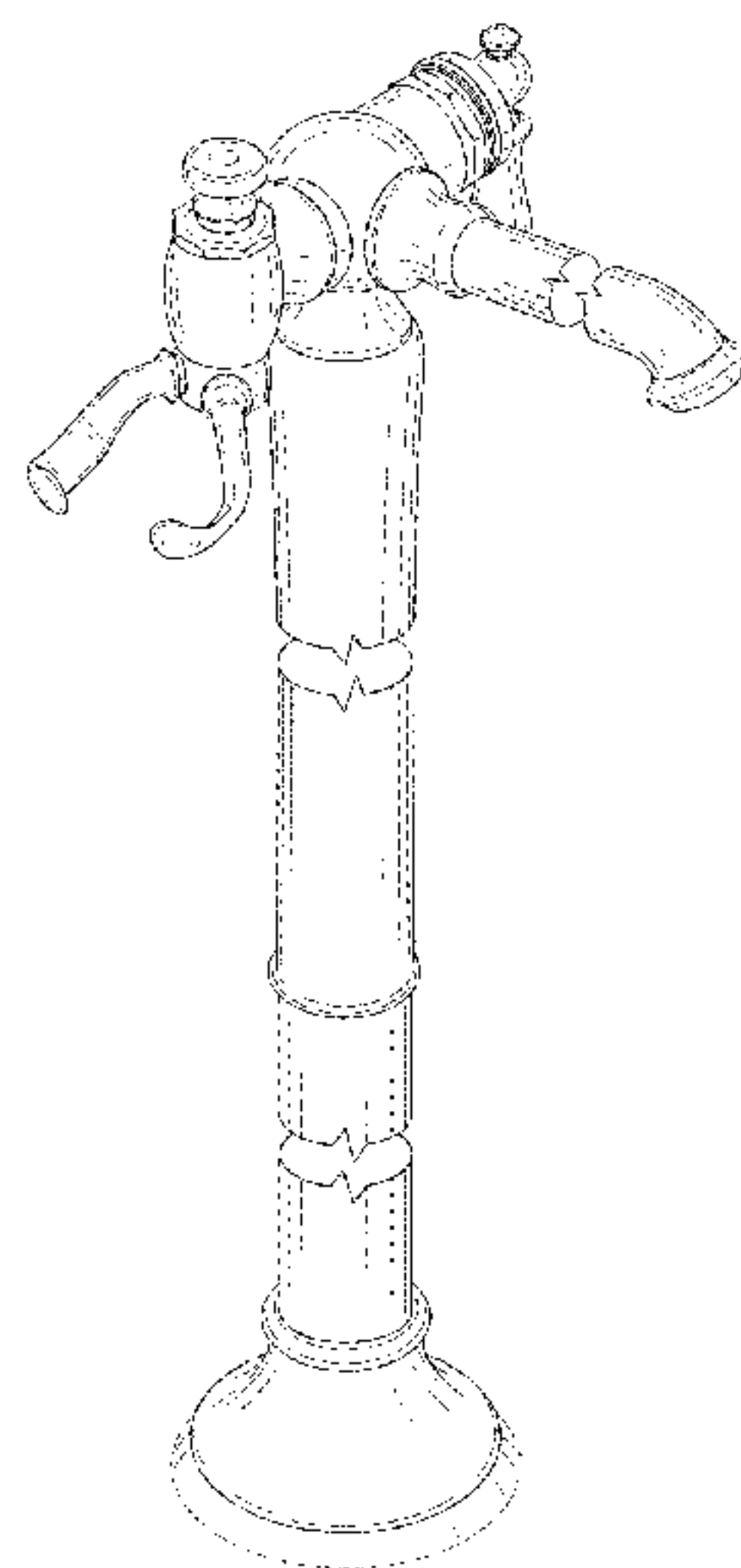
The ornamental design which is claimed is shown in solid lines in the drawings. The broken lines in the drawings are for illustrative purposes only and form no part of the claimed design. Broken lines formed by equal length dashes show unclaimed subject matter. Broken away symbols having a jagged element show that no particular length of the portion is claimed. The appearance of any portion of the article between the broken away symbols forms no part of the claimed design.

(56) **References Cited**

U.S. PATENT DOCUMENTS

D479,584 S	*	9/2003	Shieh	D23/238
D657,022 S	*	4/2012	Huang	D23/252
D717,915 S	*	11/2014	Fritz	D23/239
D717,924 S		11/2014	Rexach et al.		
D717,925 S		11/2014	Rexach et al.		
D717,928 S		11/2014	Rexach et al.		
D718,420 S		11/2014	Rexach et al.		
D718,425 S		11/2014	Rexach et al.		
D718,426 S		11/2014	Rexach et al.		
D718,838 S	*	12/2014	Sedwick	D23/249
D737,929 S		9/2015	Rexach et al.		
D737,930 S		9/2015	Rexach et al.		
D750,205 S		2/2016	Rexach		
D751,180 S		3/2016	Rexach		
D757,904 S		5/2016	Rexach		

1 Claim, 12 Drawing Sheets



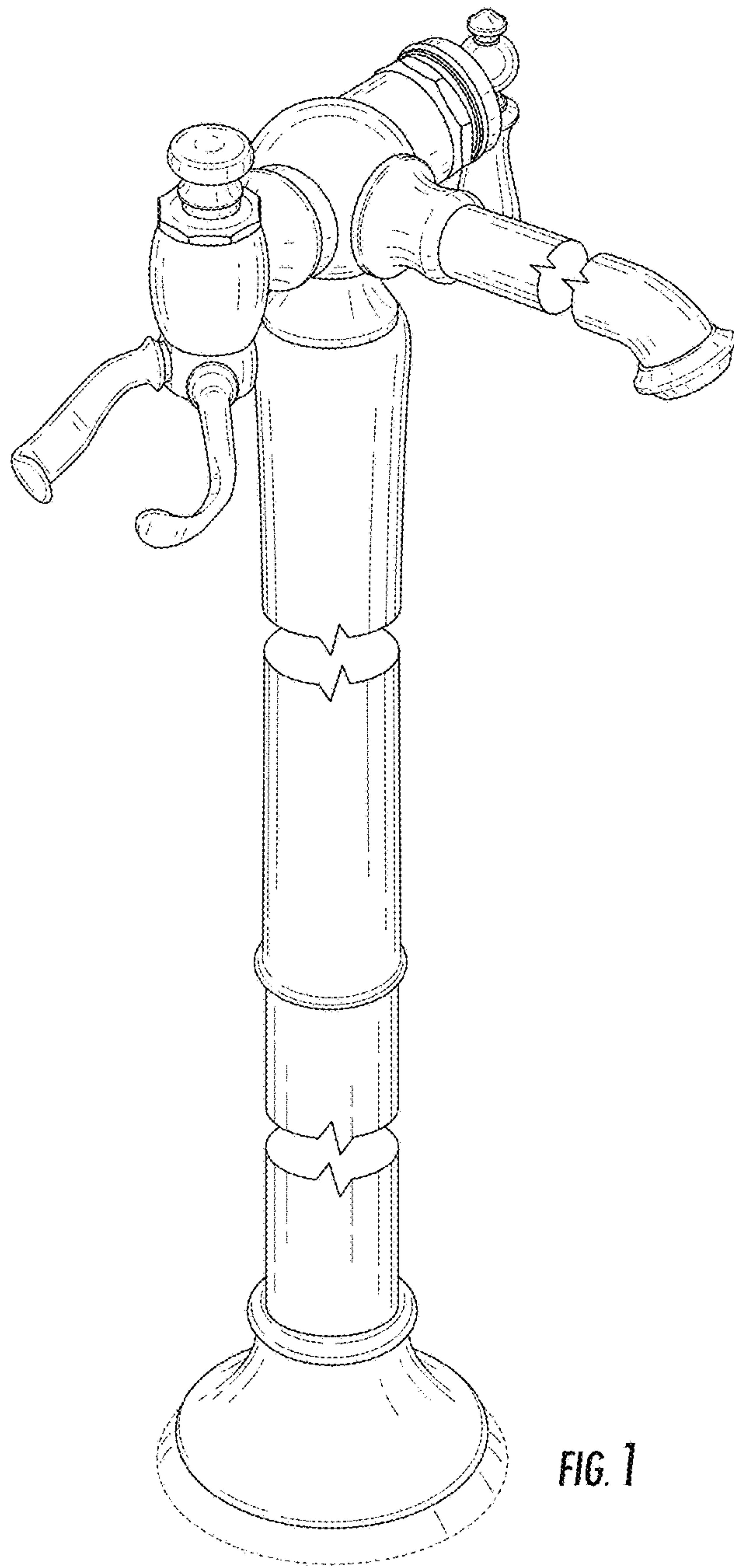
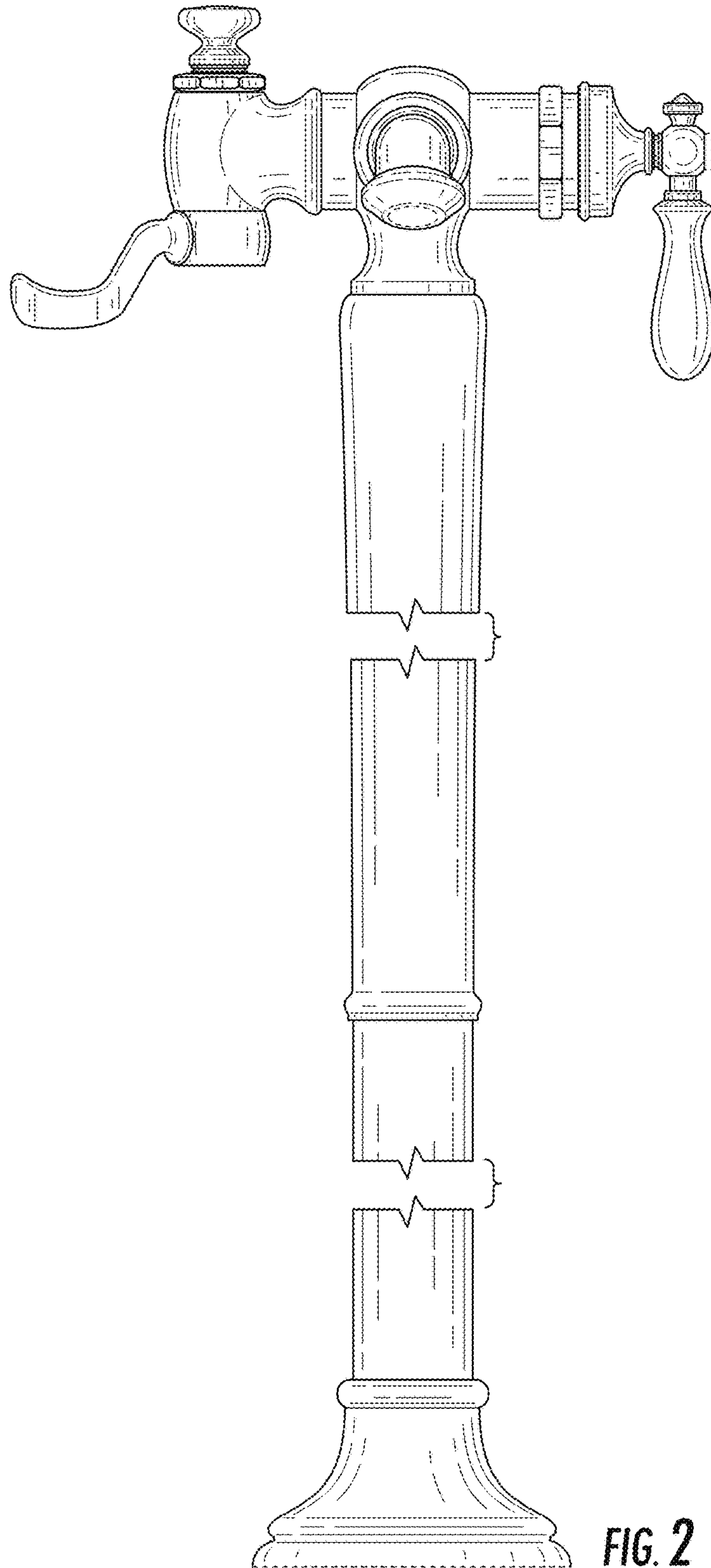


FIG. 1



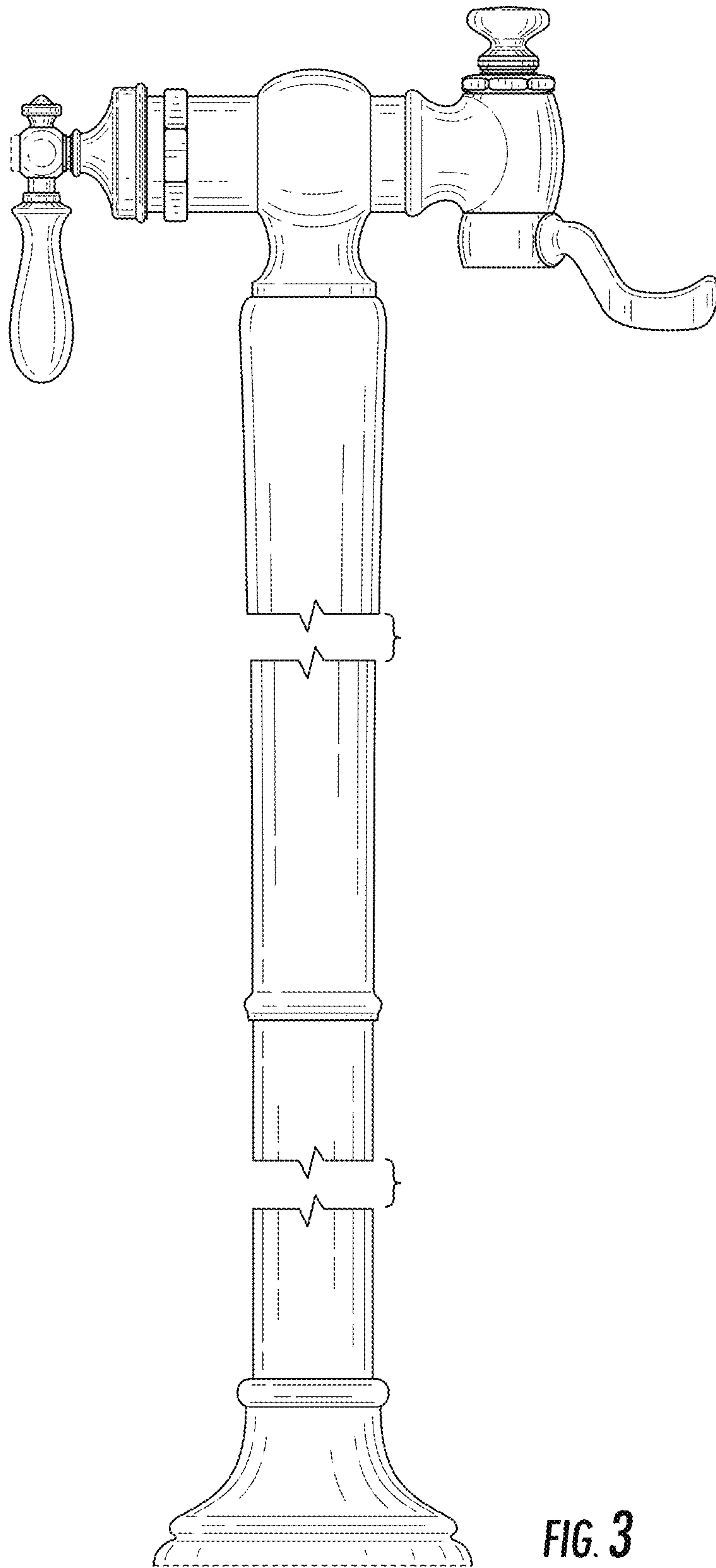


FIG. 3

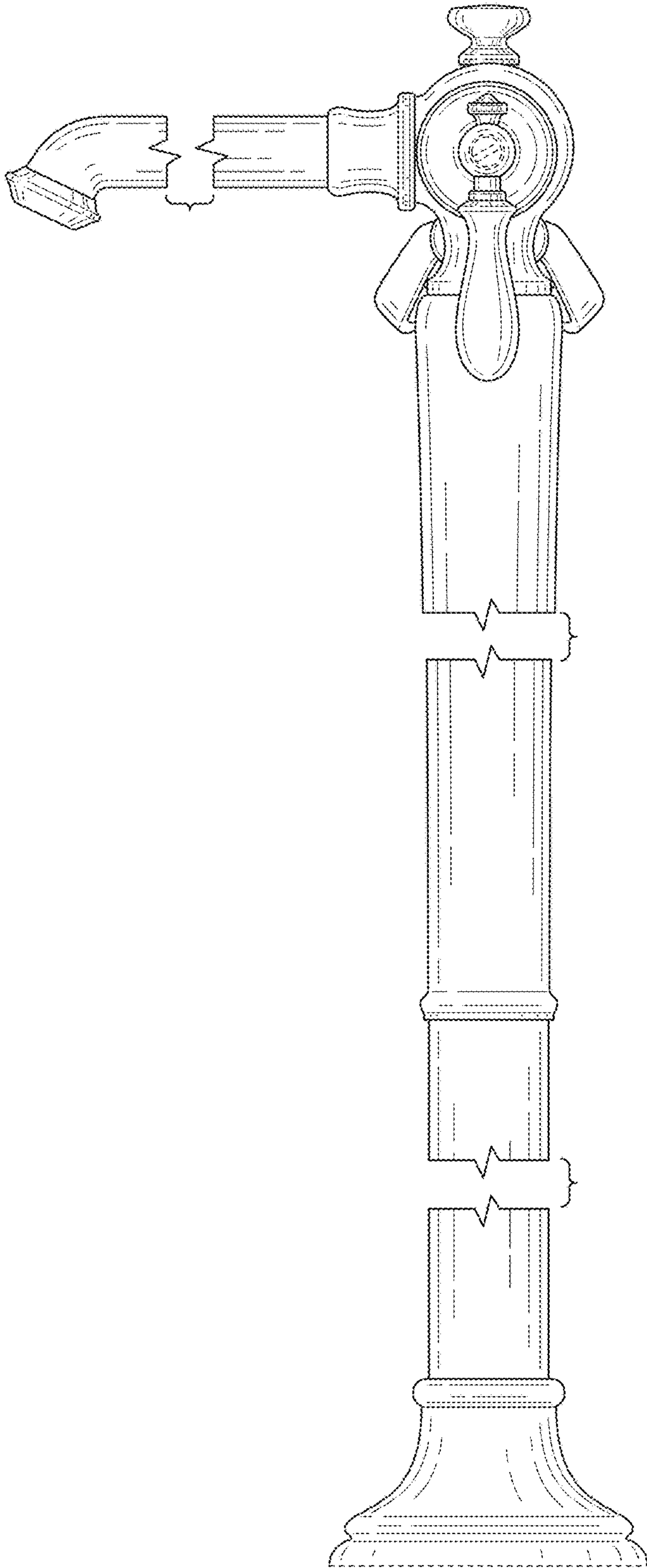
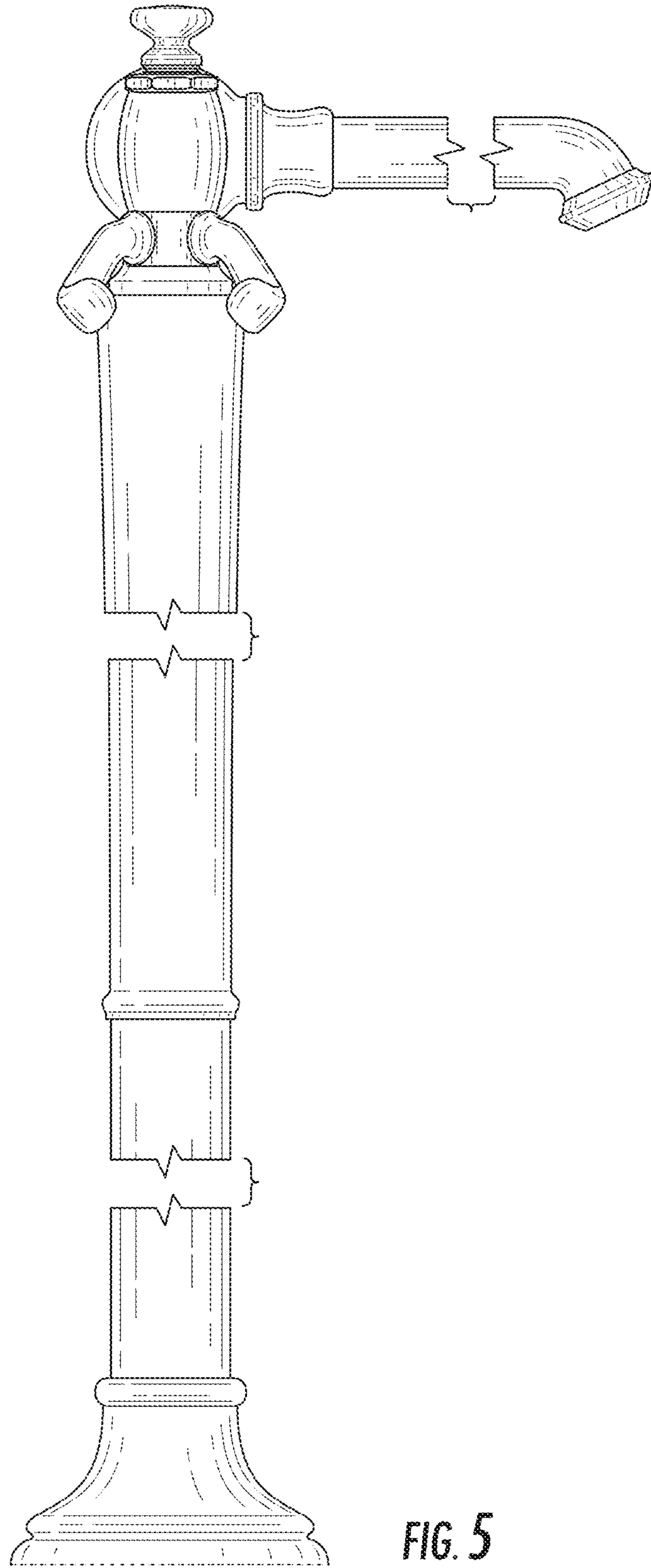


FIG. 4



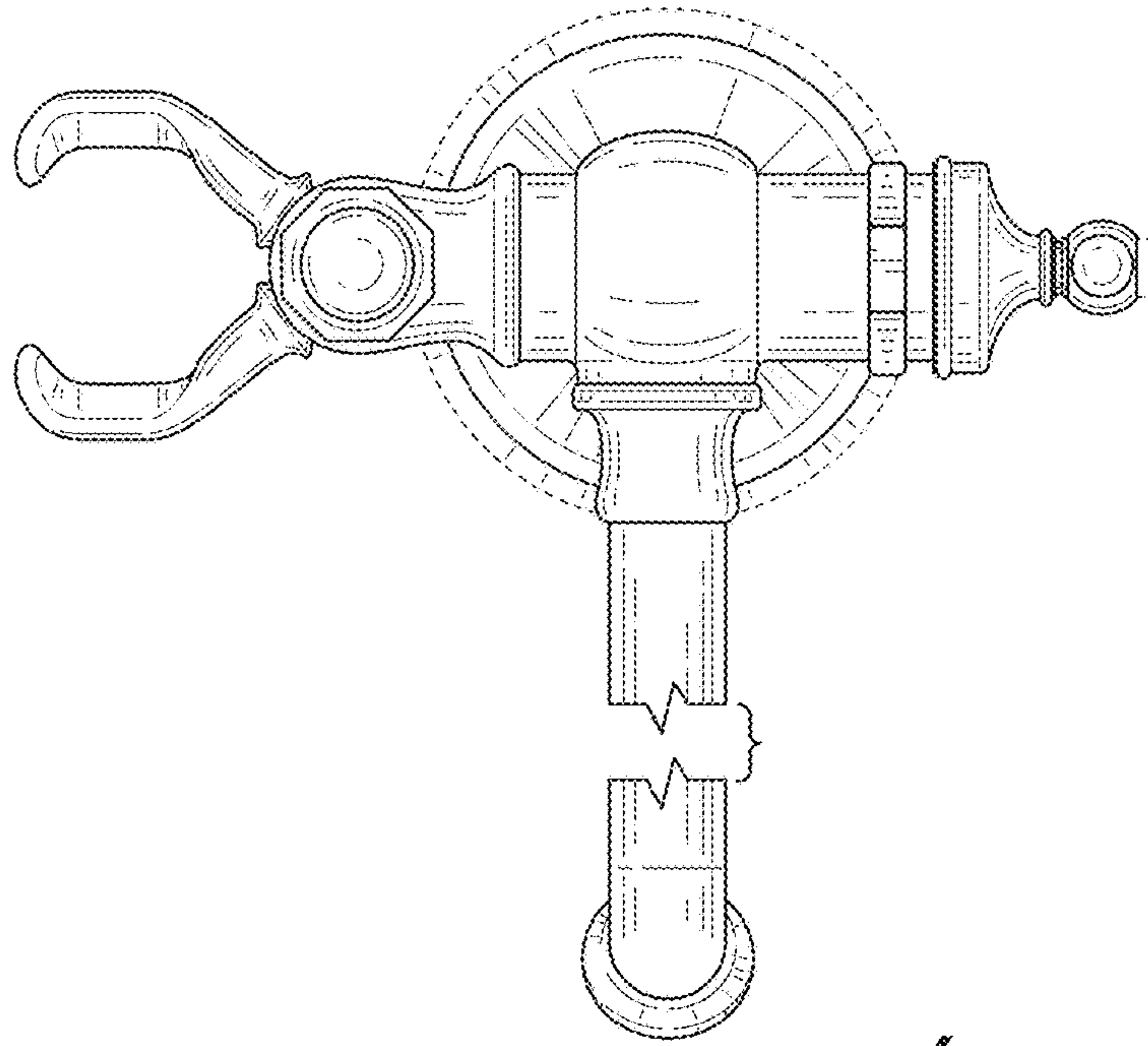


FIG. 6

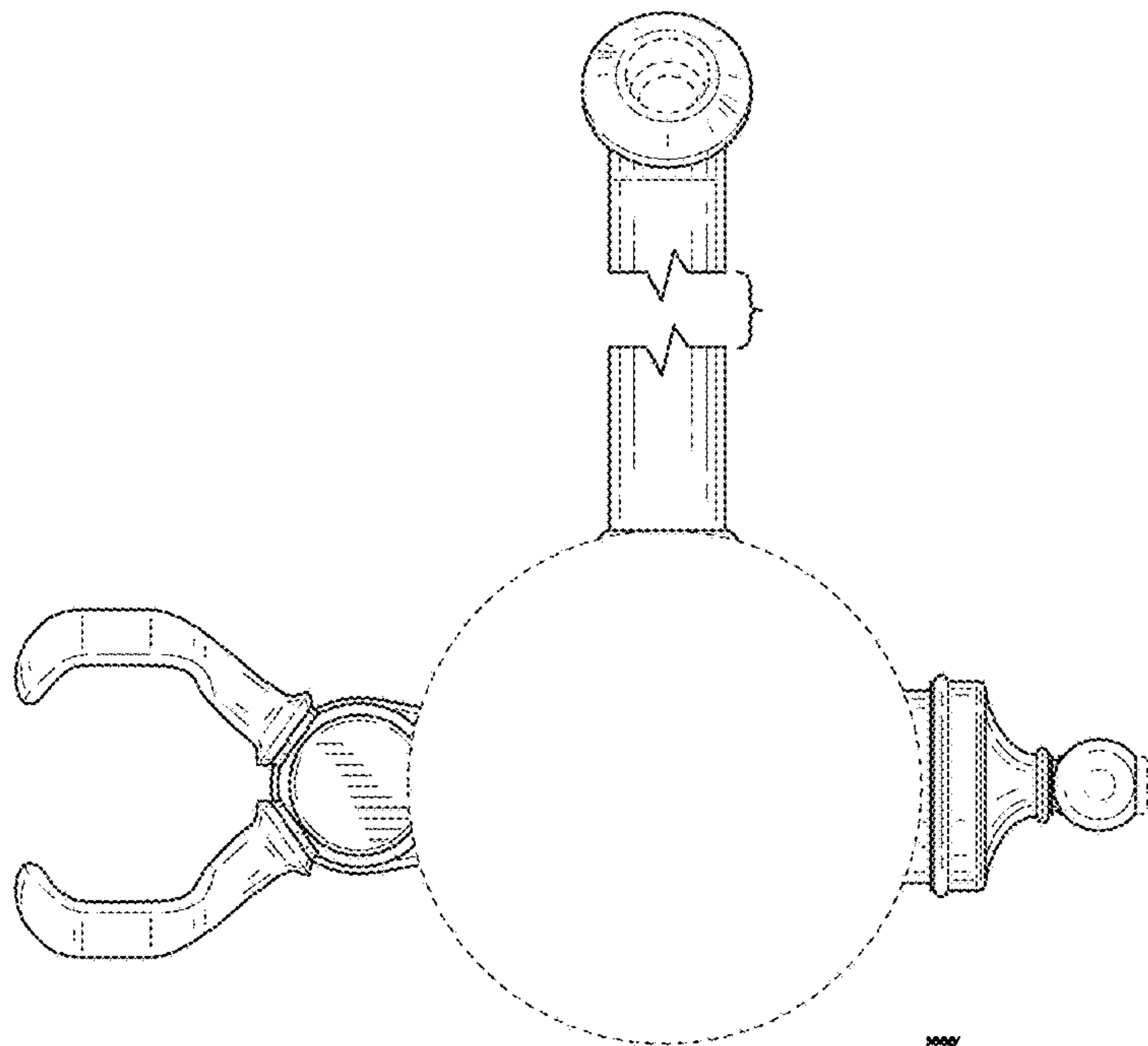


FIG. 7

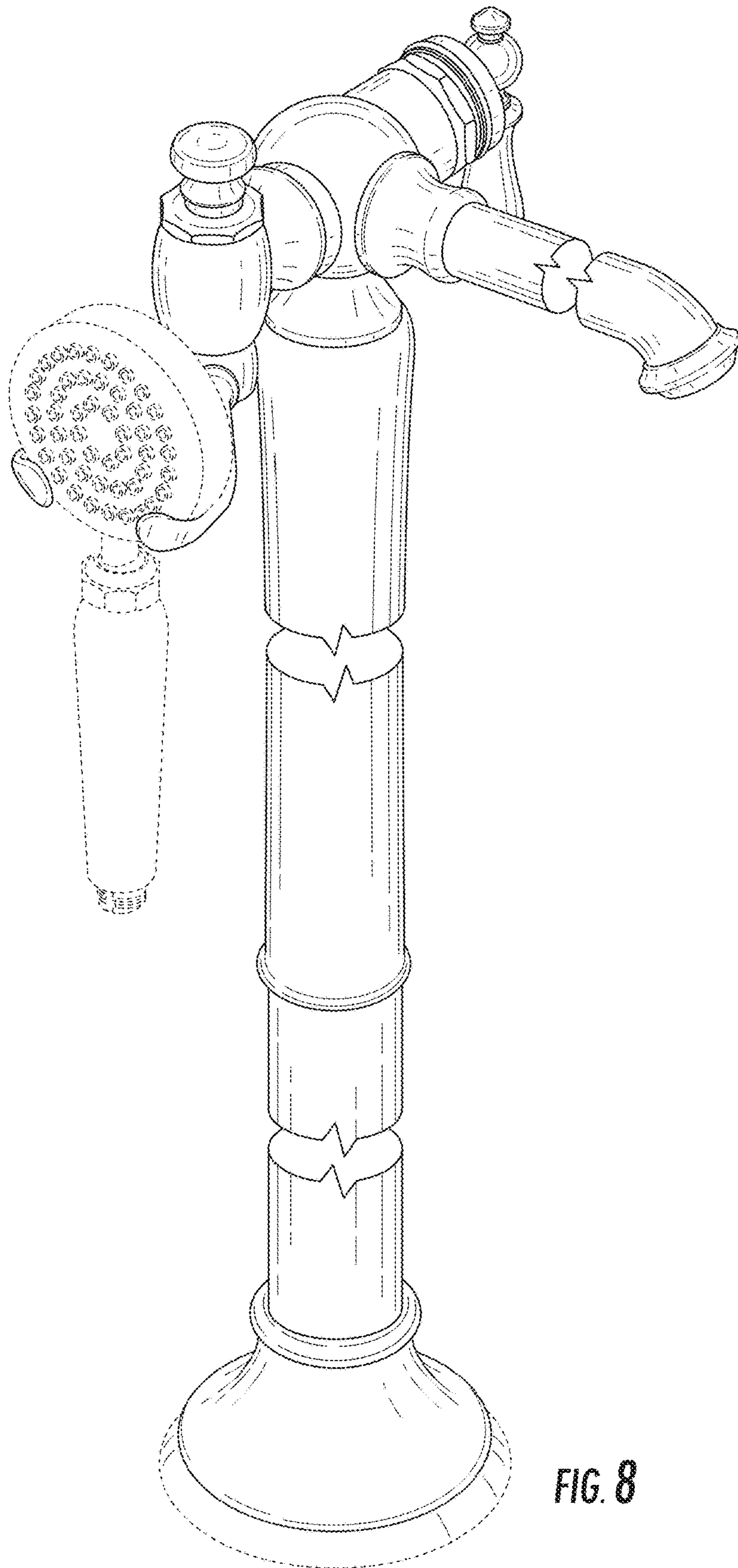


FIG. 8

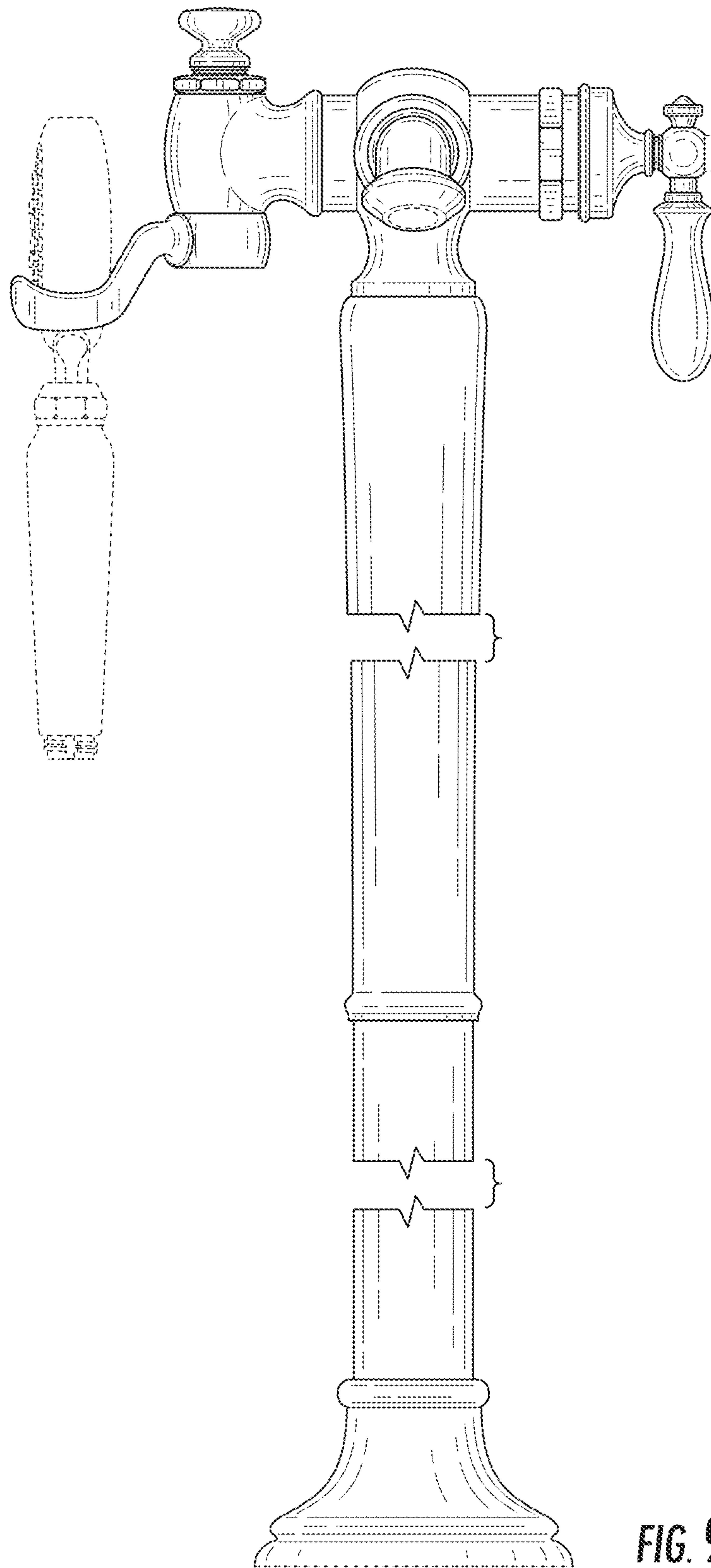


FIG. 9

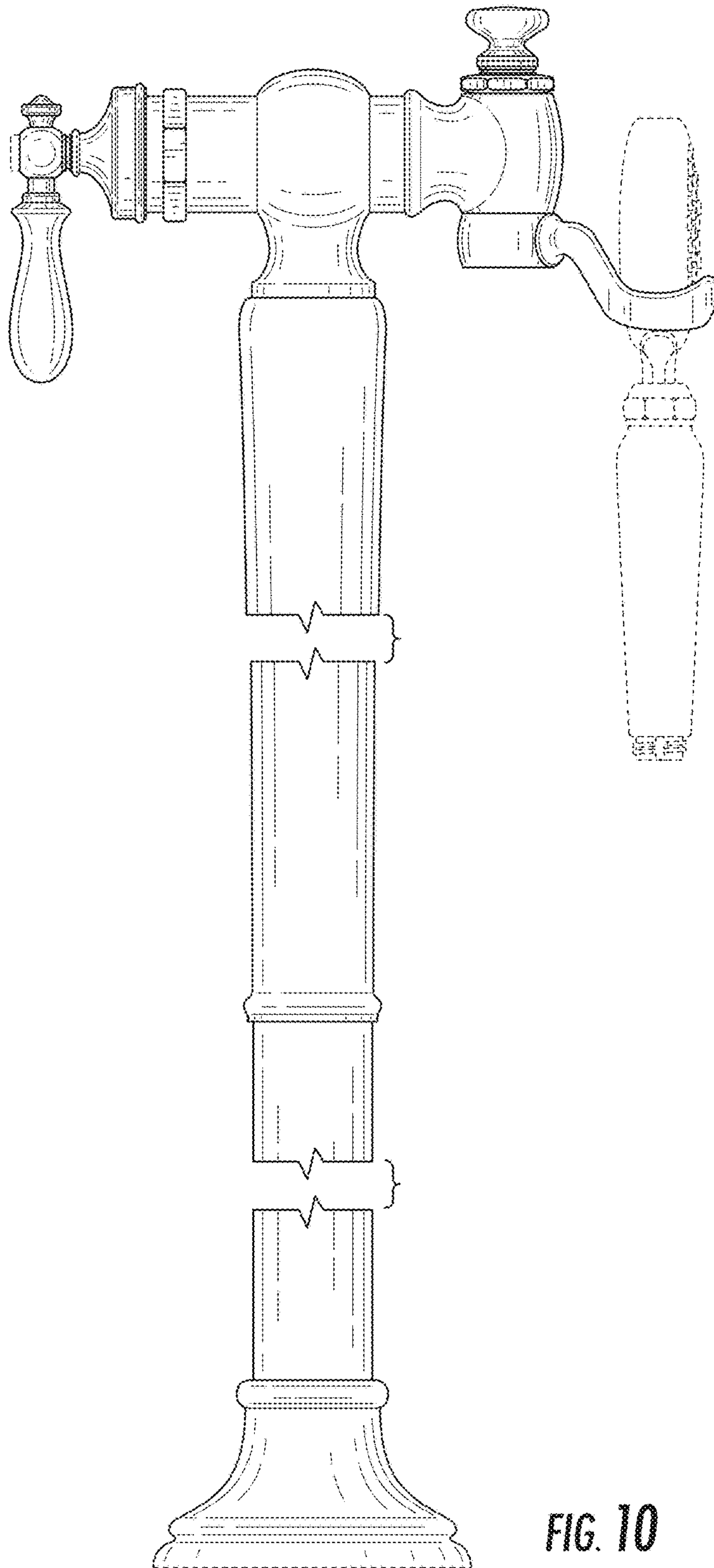


FIG. 10

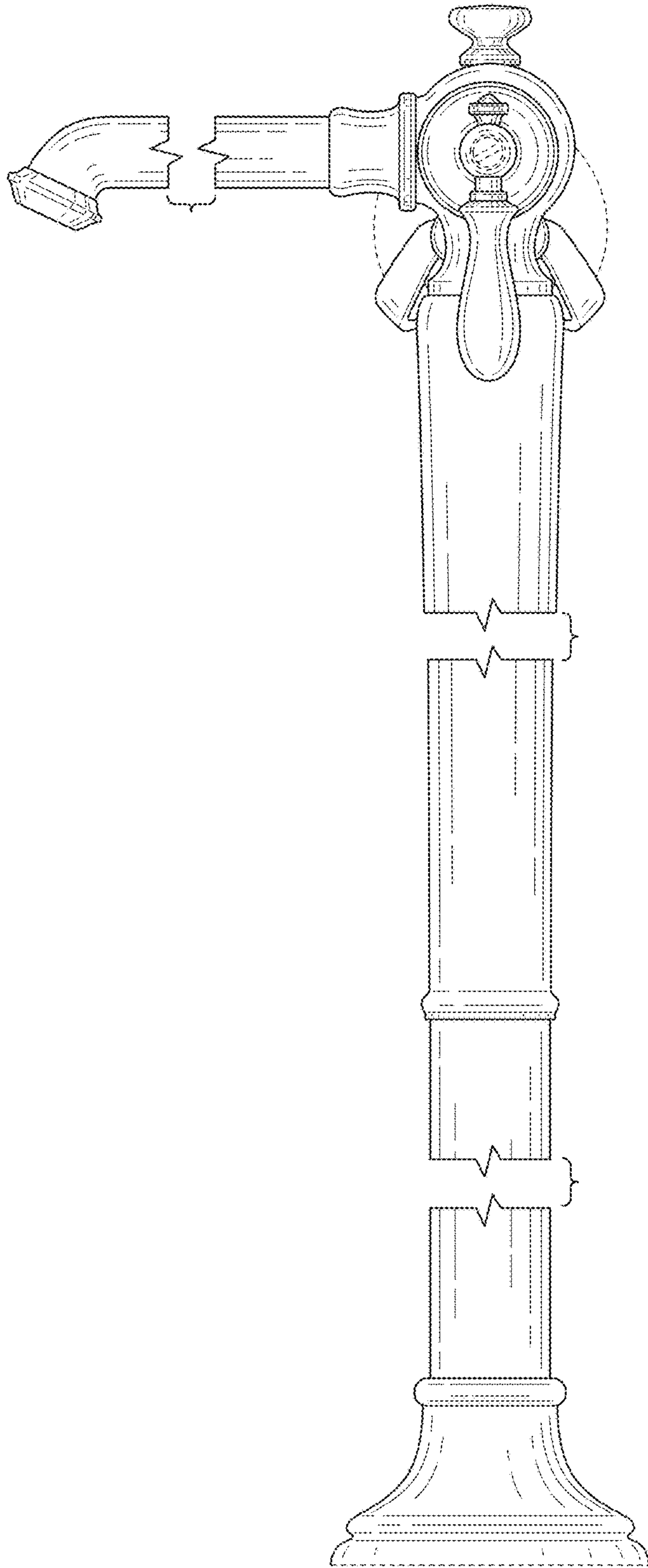


FIG. 11

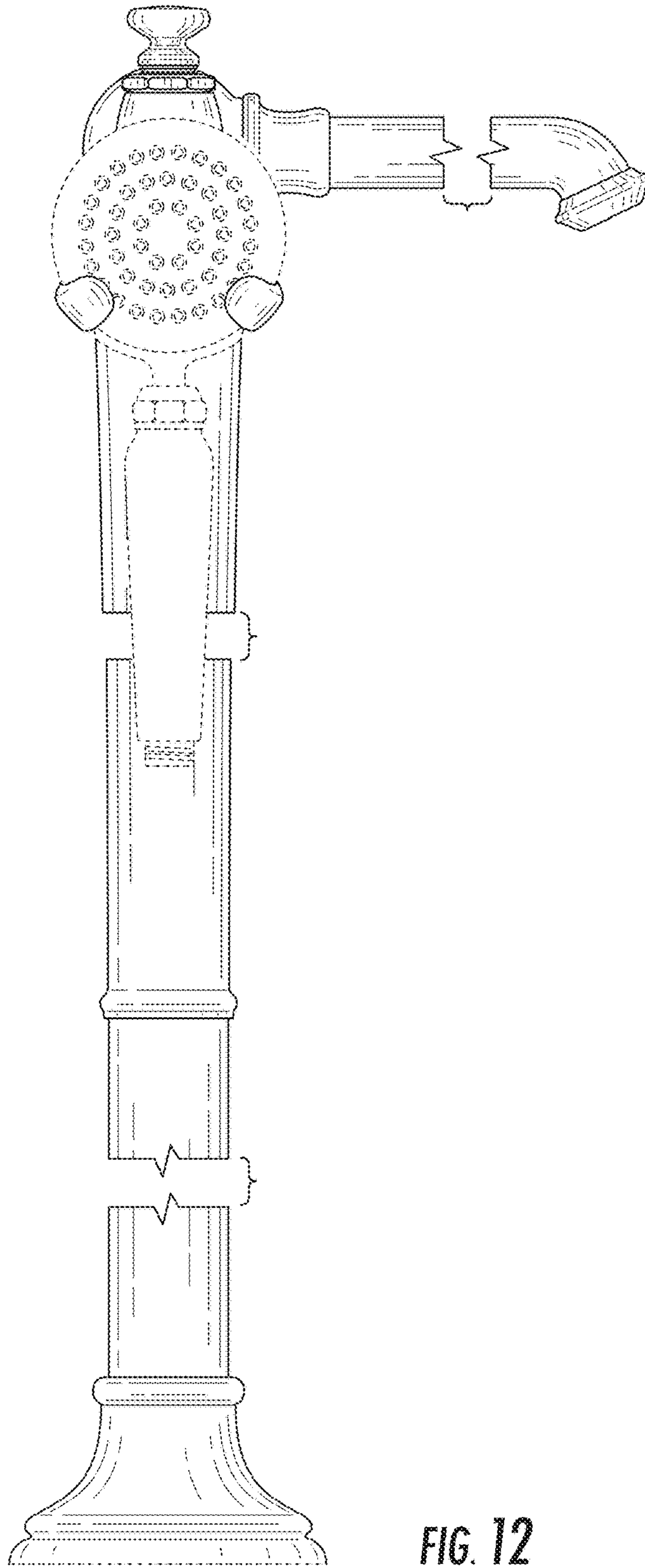


FIG. 12

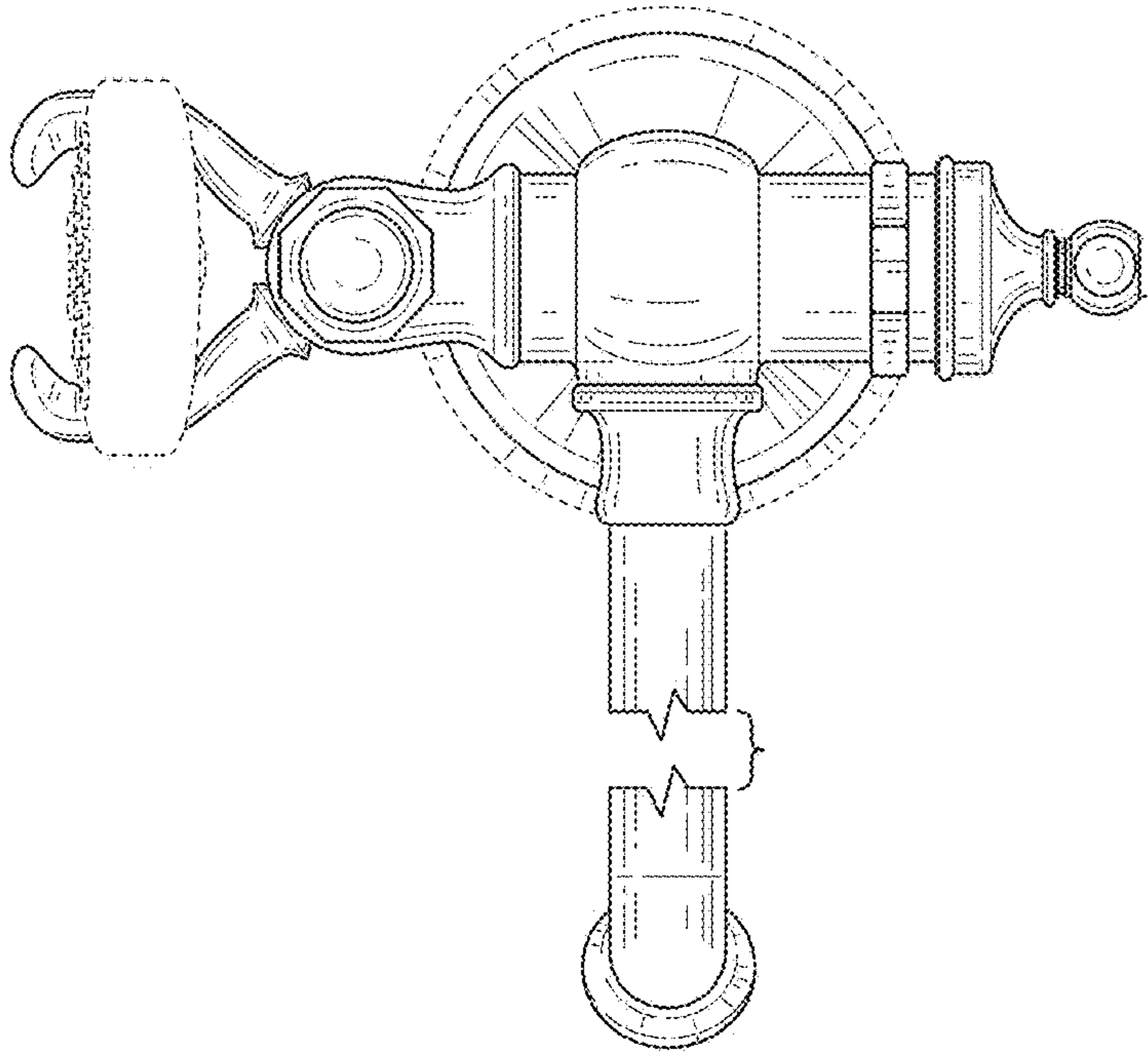


FIG. 13

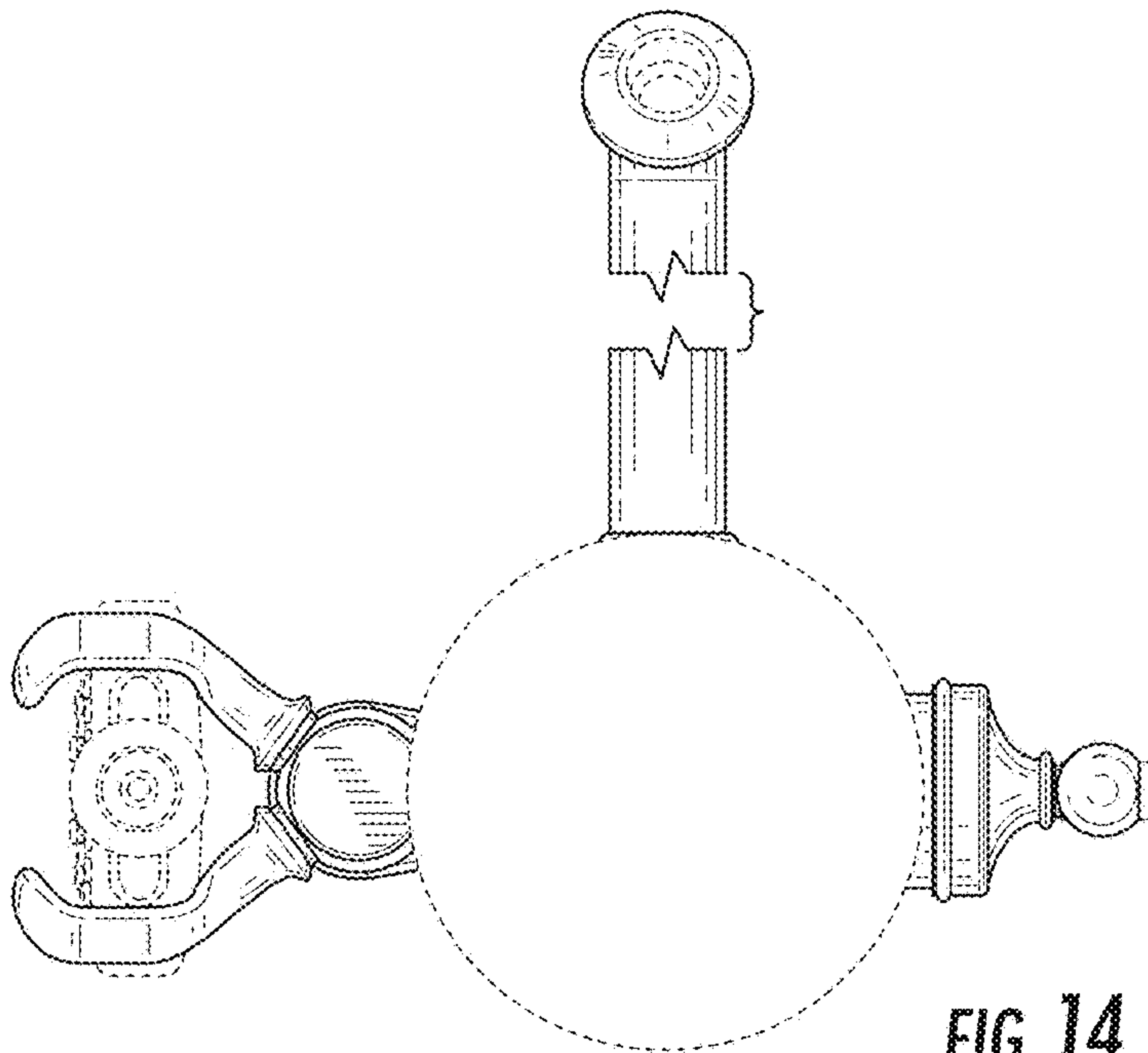


FIG. 14