



US00D834145S

(12) **United States Design Patent** (10) **Patent No.:** **US D834,145 S**
McNamara et al. (45) **Date of Patent:** **** Nov. 20, 2018**

- (54) **BYPASS VALVE** D270,752 S * 9/1983 Gorans D23/248
4,972,877 A * 11/1990 Halemba F16K 11/0853
137/270
- (71) Applicants: **Michael McNamara**, Coventry, RI 5,279,328 A * 1/1994 Linder F16K 7/16
(US); **Hans L. Kuster**, Barrington, RI 137/599.01
(US) 5,603,344 A 2/1997 Hall, Jr.
5,947,147 A * 9/1999 Gnauert E03C 1/021
137/218
- (72) Inventors: **Michael McNamara**, Coventry, RI 6,536,464 B1 3/2003 Lum et al.
(US); **Hans L. Kuster**, Barrington, RI D490,141 S * 5/2004 Pelletz D23/233
(US) 6,929,187 B2 8/2005 Kempf et al.
7,073,528 B2 7/2006 Kempf et al.
7,140,382 B2 11/2006 Kempf et al.
7,287,707 B2 10/2007 Kempf et al.
7,475,703 B2 1/2009 Kempf et al.
7,736,500 B2 * 6/2010 Rivi F16K 11/207
137/599.12
- (73) Assignee: **AquaMotion, Inc.**, Barrington, RI (US)
- (**) Term: **15 Years**
- (21) Appl. No.: **29/628,626**
- (22) Filed: **Dec. 6, 2017**

Related U.S. Application Data

- (63) Continuation of application No. 15/235,907, filed on Aug. 12, 2016, now Pat. No. 9,863,647.
- (51) **LOC (11) Cl.** **23-01**
- (52) **U.S. Cl.**
USPC **D23/233**
- (58) **Field of Classification Search**
USPC D23/233-250, 259; 137/118.04, 498,
137/516.11, 597, 602, 533.11, 625.46,
137/270, 887, 876, 599.11, 10, 12, 15.18,
137/527.8, 454.2, 599.01, 625.29, 599.12,
137/218, 884
CPC F16K 27/003; F16K 31/0603
See application file for complete search history.

(56) **References Cited**

U.S. PATENT DOCUMENTS

- 2,603,420 A 7/1952 Percy
- 2,842,155 A 7/1958 Peters
- 3,062,448 A 11/1962 Read
- 3,397,841 A 8/1968 Kieslich
- 4,331,292 A 5/1982 Zimmer

Primary Examiner — Cynthia Ramirez
Assistant Examiner — Gino Colan
(74) *Attorney, Agent, or Firm* — Salter & Michaelson

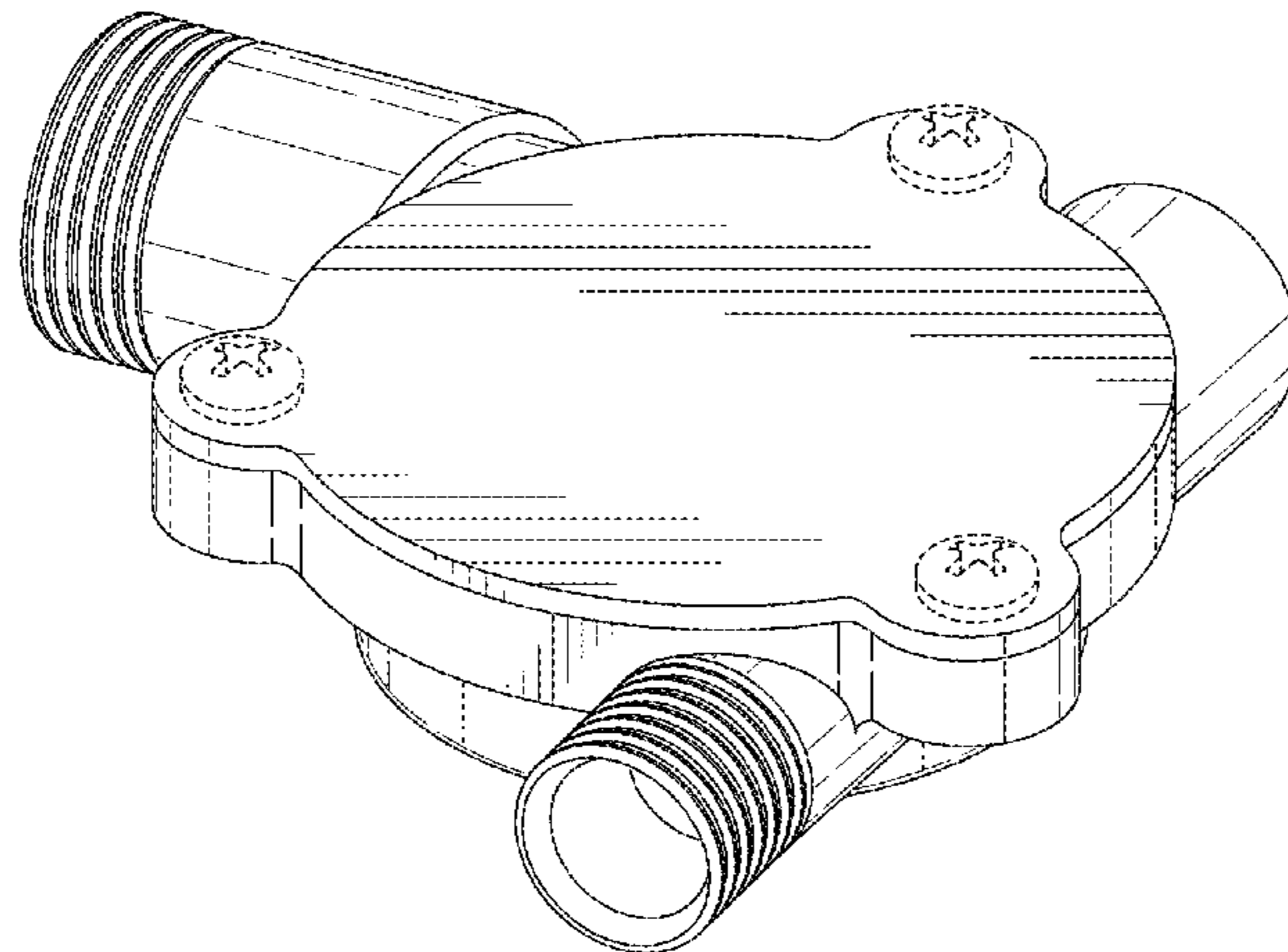
(57) **CLAIM**

The ornamental design for a bypass valve, as shown and described.

DESCRIPTION

FIG. 1 is a perspective view of a bypass valve;
FIG. 2 is a top plan view thereof;
FIG. 3 is a bottom plan view thereof;
FIG. 4 is a front elevational view thereof;
FIG. 5 is a rear elevational view thereof;
FIG. 6 is a left side elevational view thereof; and,
FIG. 7 is a right side elevational view thereof.
The broken lines shown in the drawing views are included for the purpose of showing environmental structure that forms no part of the claimed design.

1 Claim, 7 Drawing Sheets



(56)

References Cited

U.S. PATENT DOCUMENTS

8,375,970 B2 * 2/2013 Lautzenheiser E03C 1/04
137/12
8,522,814 B2 9/2013 Kempf et al.
8,820,652 B2 9/2014 Kempf et al.
D809,110 S * 1/2018 Nahum D23/259
9,863,647 B1 * 1/2018 McNamara F24D 17/0094

* cited by examiner

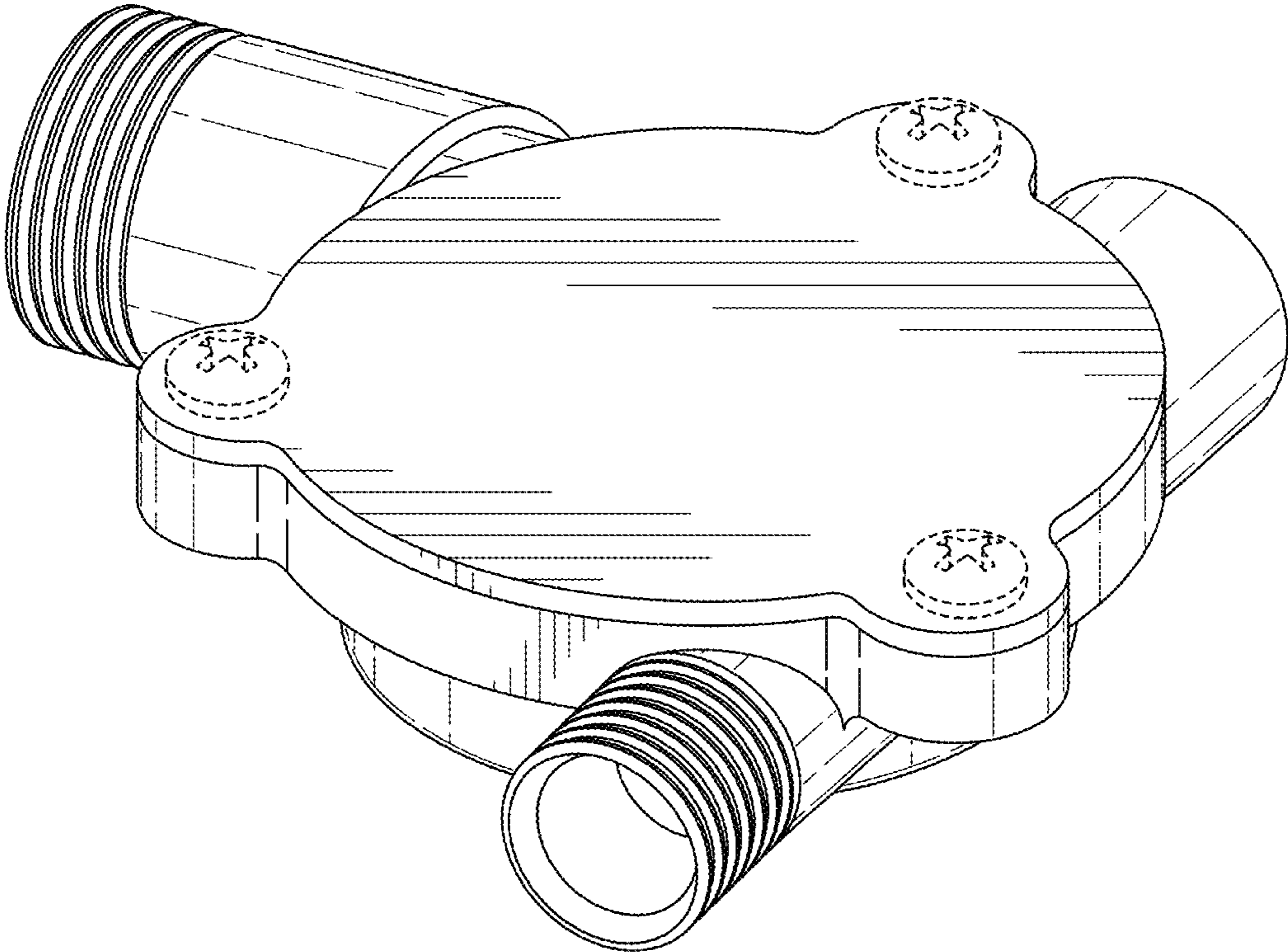


FIG. 1

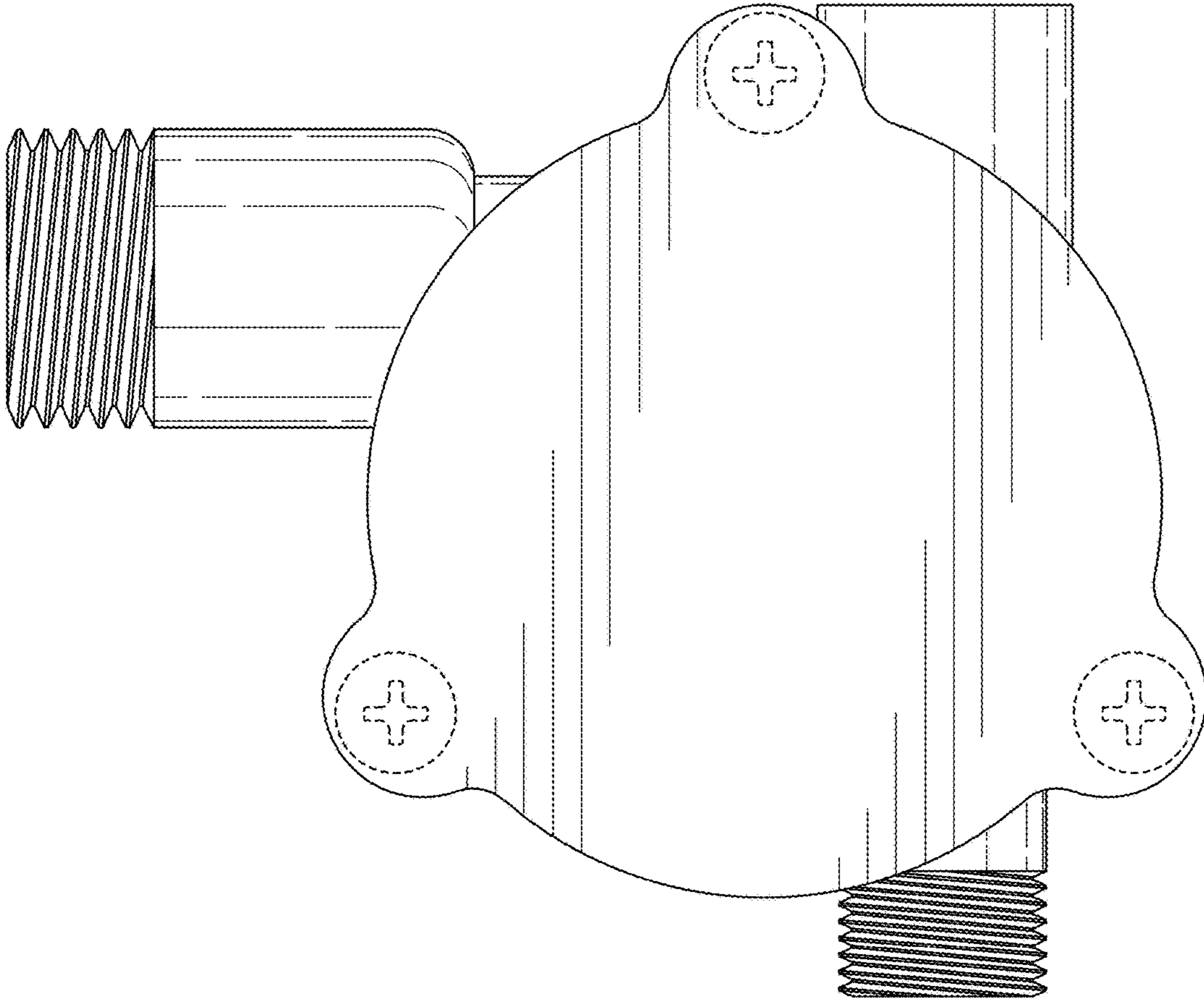


FIG. 2

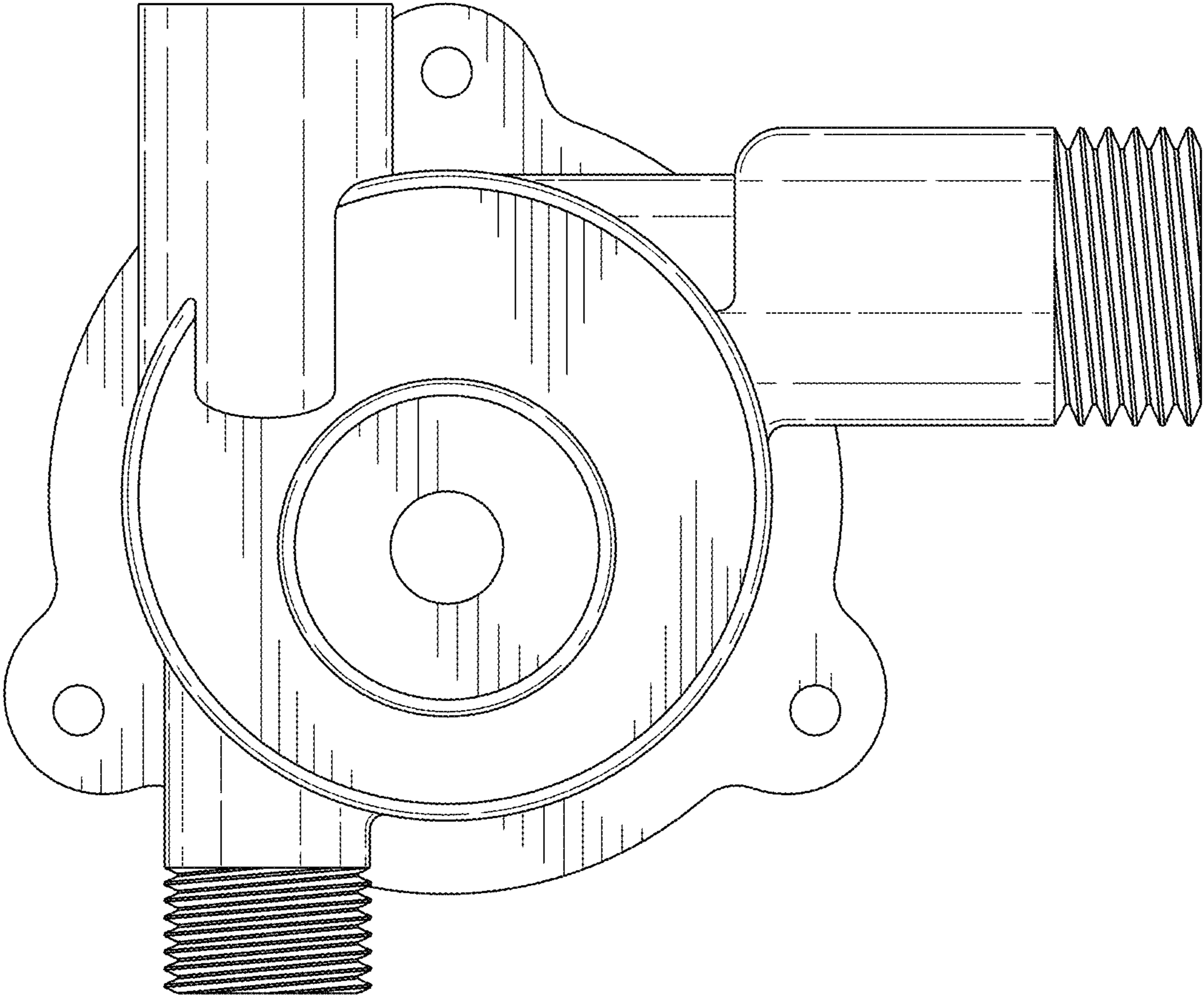


FIG. 3

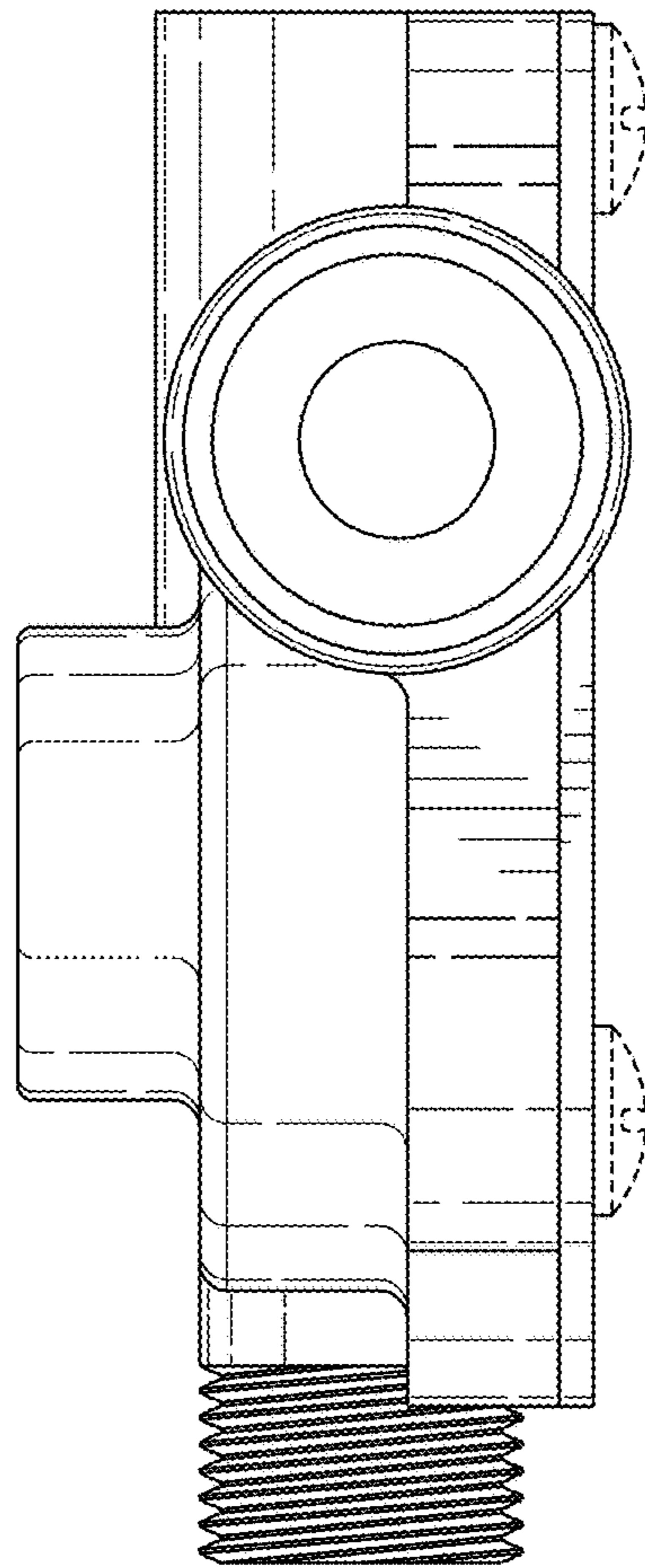


FIG. 4

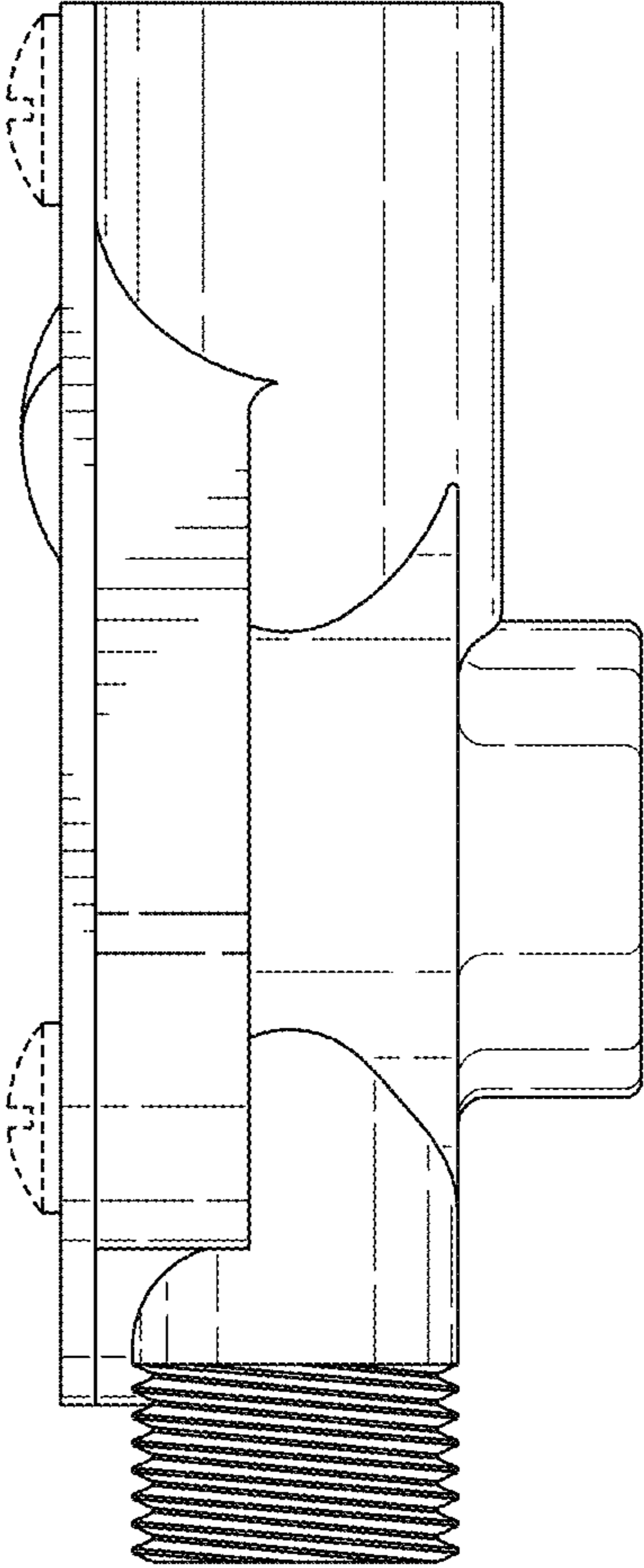


FIG. 5

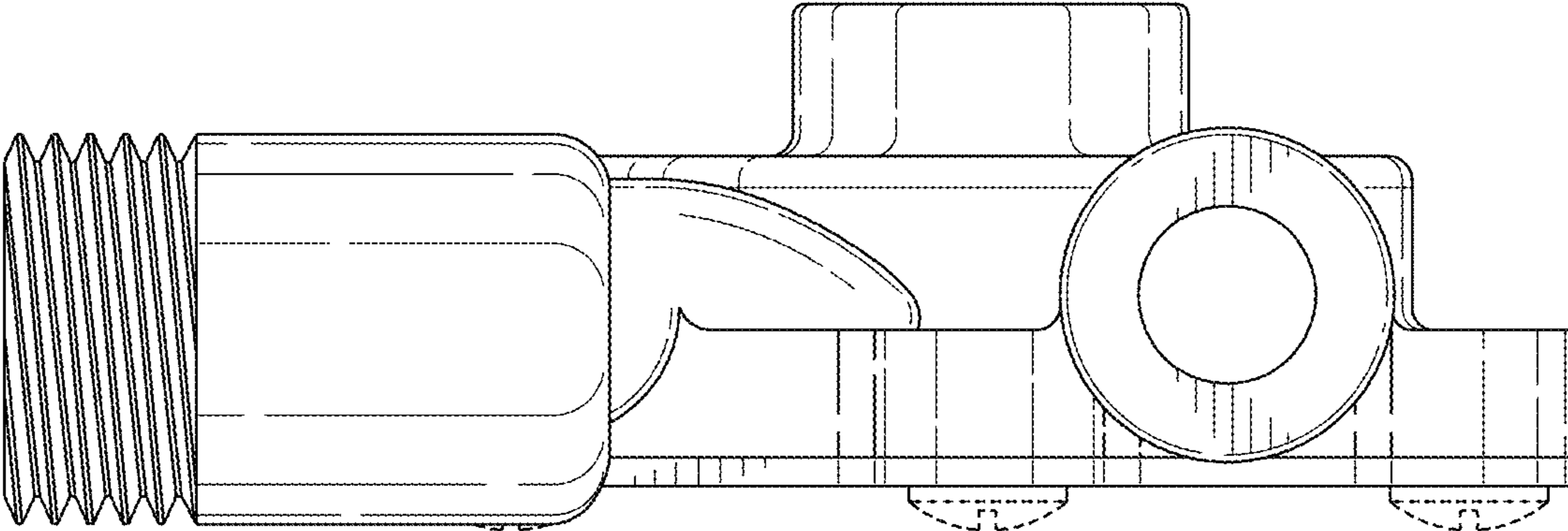


FIG. 6

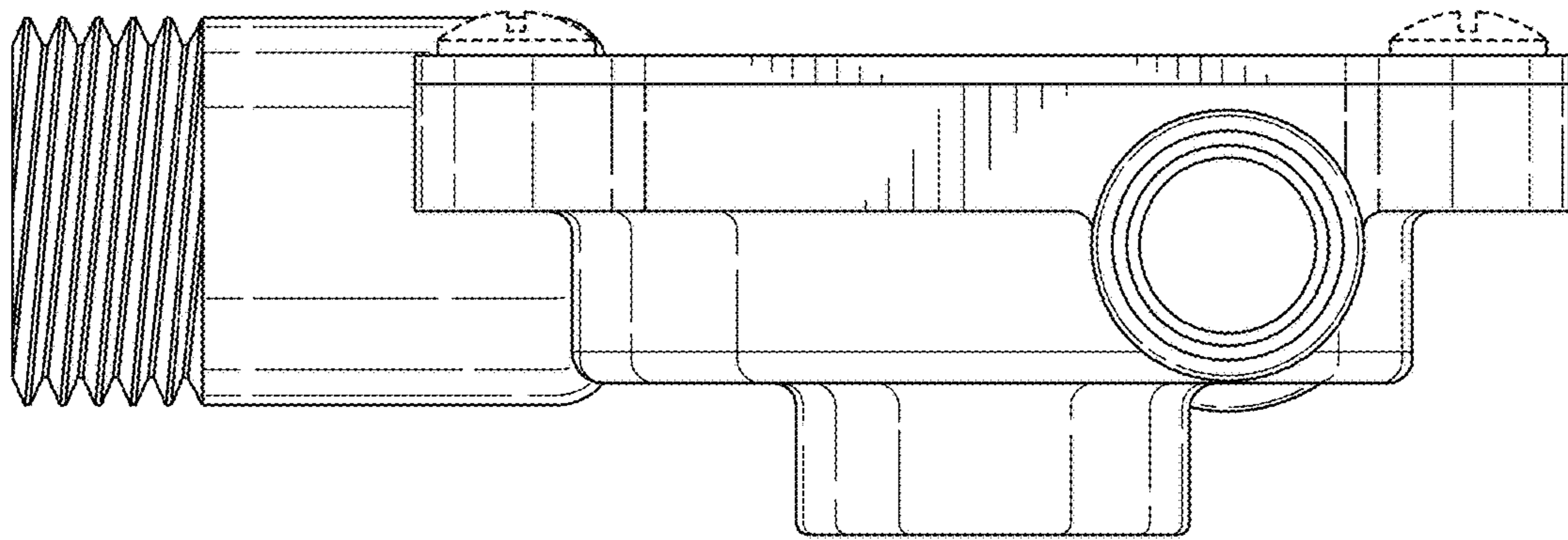


FIG. 7