

US00D834144S

(12) **United States Design Patent** (10) **Patent No.: US D834,144 S**
Mangold (45) **Date of Patent: ** Nov. 20, 2018**

(54) **PISTOL-STYLE SPRAY HEAD**

(56) **References Cited**

(71) Applicant: **Steven Mangold**, Rexford, MT (US)
(72) Inventor: **Steven Mangold**, Rexford, MT (US)
(73) Assignee: **Red Storm Defense, LLC.**, Missoula, MT (US)
(**) Term: **15 Years**

U.S. PATENT DOCUMENTS

D204,285 S * 4/1966 Gilbert D21/574
D212,245 S * 9/1968 Iida D21/574
D309,198 S * 7/1990 Macramalla D23/225
D399,028 S * 9/1998 Fenne D29/129

(Continued)

Primary Examiner — Karen S Acker

Assistant Examiner — Wendy L Arminio

(74) *Attorney, Agent, or Firm* — Brian Mangum

(21) Appl. No.: **29/557,028**

(22) Filed: **Mar. 4, 2016**

(57) **CLAIM**

The ornamental design for a pistol-style spray head, as shown and described.

Related U.S. Application Data

(63) Continuation-in-part of application No. 14/731,341, filed on Jun. 4, 2015, now Pat. No. 9,586,750.

(51) **LOC (11) Cl.** **23-01**

(52) **U.S. Cl.**
USPC **D23/226**; D9/448

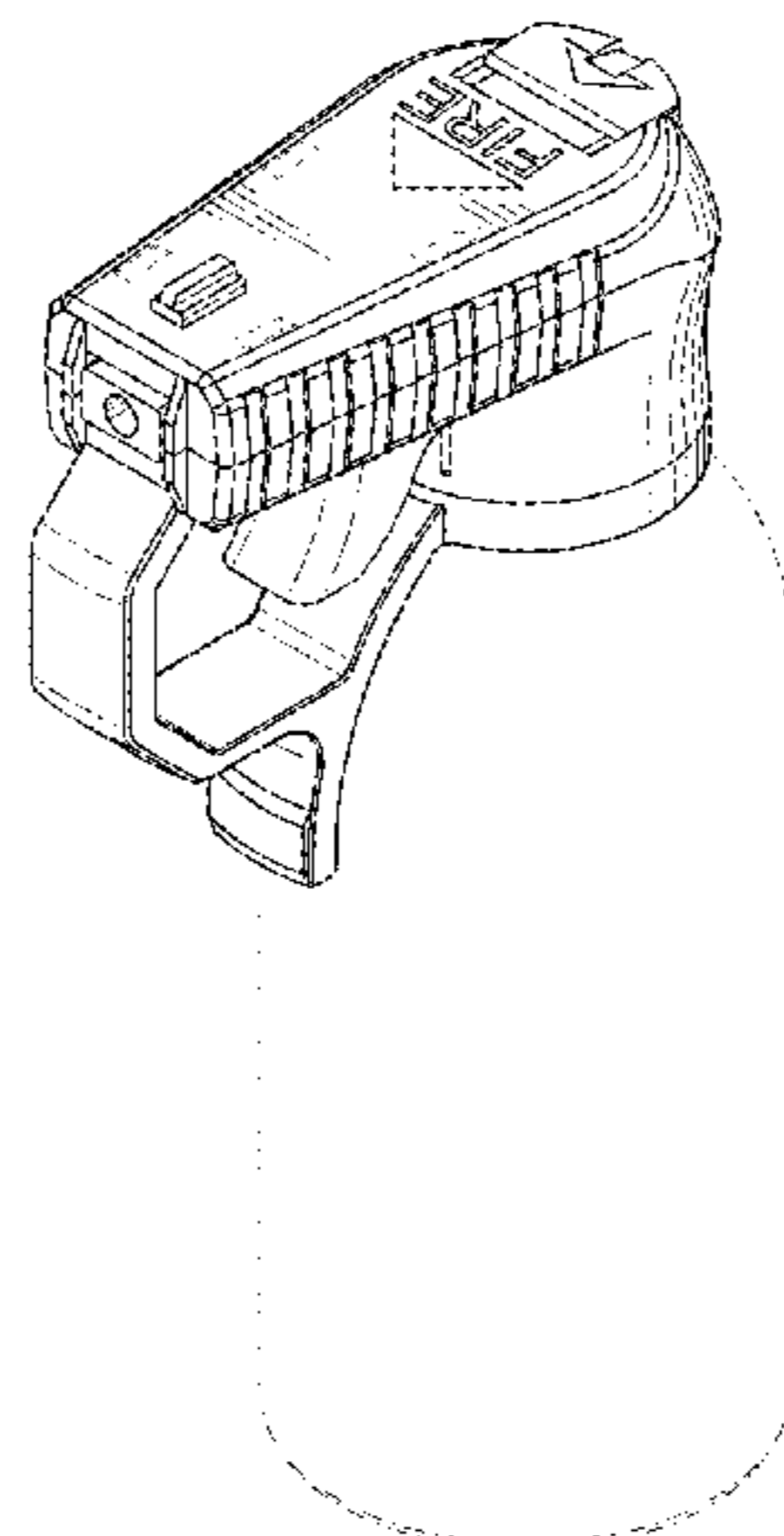
(58) **Field of Classification Search**
USPC D9/414, 415, 420, 426, 428, 429, 434, D9/435, 443–450, 452–457, 499, 682, D9/685, 686, 451; D7/387, 392, 392.1, D7/393, 395, 396.2, 396.3, 396.4, 401.1, D7/507, 509–511, 538, 900; D3/202, D3/203.2, 318; D28/91.1; D23/213, 225, D23/226; D21/573–575; D22/104, 105, D22/109; D29/129
CPC .. A61J 1/00; A61J 1/1412; B65D 1/00; B65D 1/02; B65D 1/10; B65D 1/46; B65D 2585/56; B65D 41/00; B65D 41/38; B65D 41/56; B65D 41/62; B65D 47/00; B65D 47/06; B65D 47/08; B65D 2543/00046; B65D 2543/00092; B65D 2543/00296; B65D 5/46; B65D 2251/00
See application file for complete search history.

DESCRIPTION

FIG. 1 is a top perspective view of the pistol-style spray head showing my new design, with the safety in the safe position; FIG. 2 is a left side elevational view of FIG. 1; FIG. 3 is a front elevational view of FIG. 1; FIG. 4 is a right side elevational view of FIG. 1; FIG. 5 is a rear view of FIG. 1; FIG. 6 is top plan view of FIG. 1; FIG. 7 is a bottom plan view of FIG. 1; FIG. 8 is a top perspective view of the pistol-style spray head showing my new design, with the safety in the fire position; FIG. 9 is a left side elevational view of FIG. 8; FIG. 10 is a front elevational view of FIG. 8; FIG. 11 is a right side elevational view of FIG. 8; FIG. 12 is a rear view of FIG. 8; FIG. 13 is top plan view of FIG. 8; and, FIG. 14 is a bottom plan view of FIG. 8.

The dot-dash-dot broken lines illustrating a bottle depict environment and form no part of the claimed design. The interior dash-dash broken lines in the underside of the pistol-style spray head in FIGS. 7 and 14 depict the boundaries of the claim and form no part thereof. All other broken

(Continued)



lines depict portions of the pistol-style spray head that form no part of the claimed design.

1 Claim, 6 Drawing Sheets

(56) References Cited

U.S. PATENT DOCUMENTS

D459,438	S	*	6/2002	Knowles	D23/225
D466,584	S	*	12/2002	Hubmann	D23/213
D480,124	S	*	9/2003	Hubmann	D23/213
D498,289	S	*	11/2004	Chen	D23/225
D613,345	S	*	4/2010	Halmone	D21/573
D614,716	S	*	4/2010	Tertin	D22/104
D615,157	S	*	5/2010	Chen	D23/226
D636,848	S	*	4/2011	Fontaine	D23/226
D706,879	S	*	6/2014	Chu	D21/573
D767,092	S	*	9/2016	Chen	D23/223
D770,017	S	*	10/2016	Chen	D23/226
D770,594	S	*	11/2016	Dammkoehler	D23/226

* cited by examiner

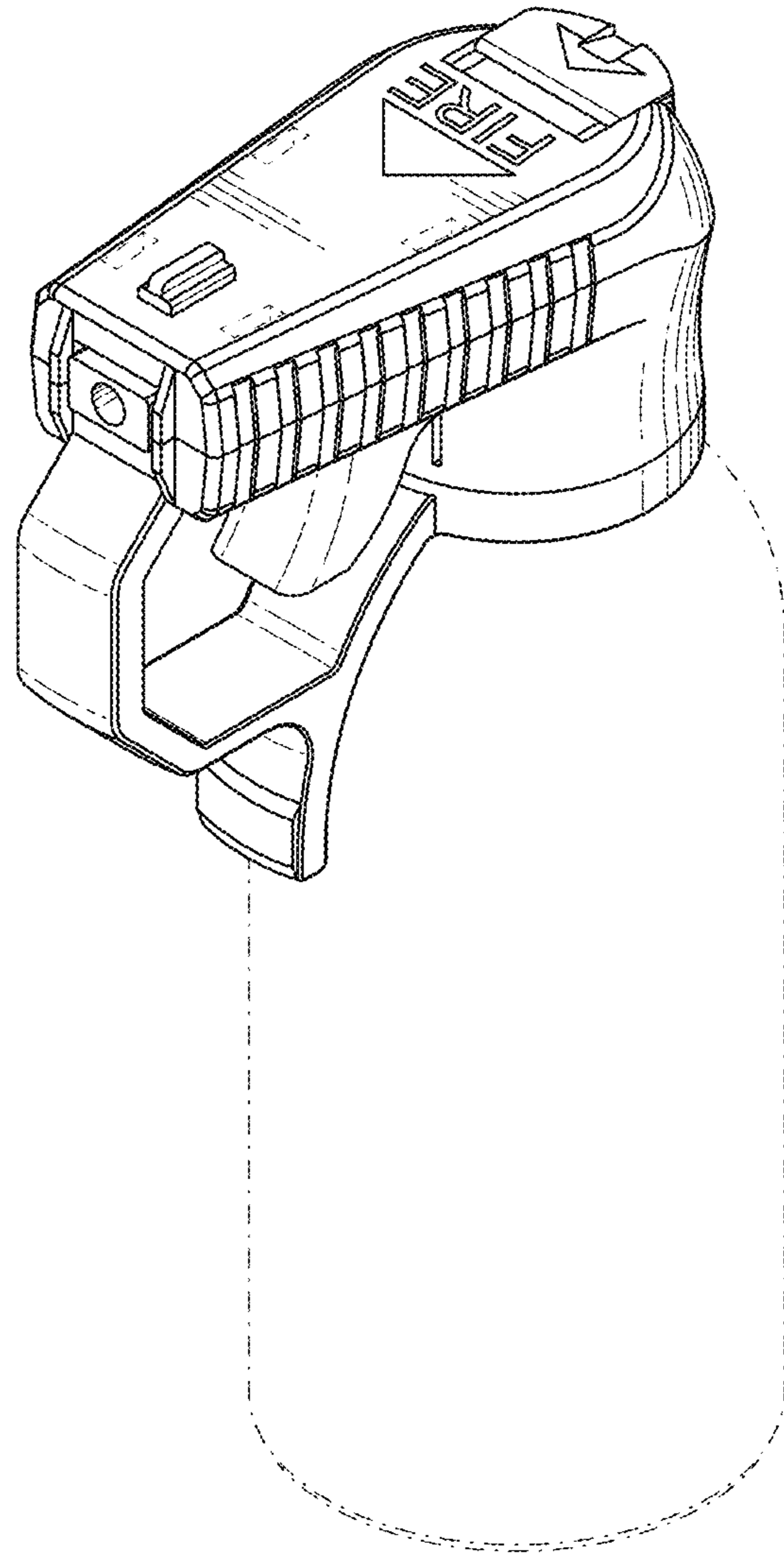


FIG. 1

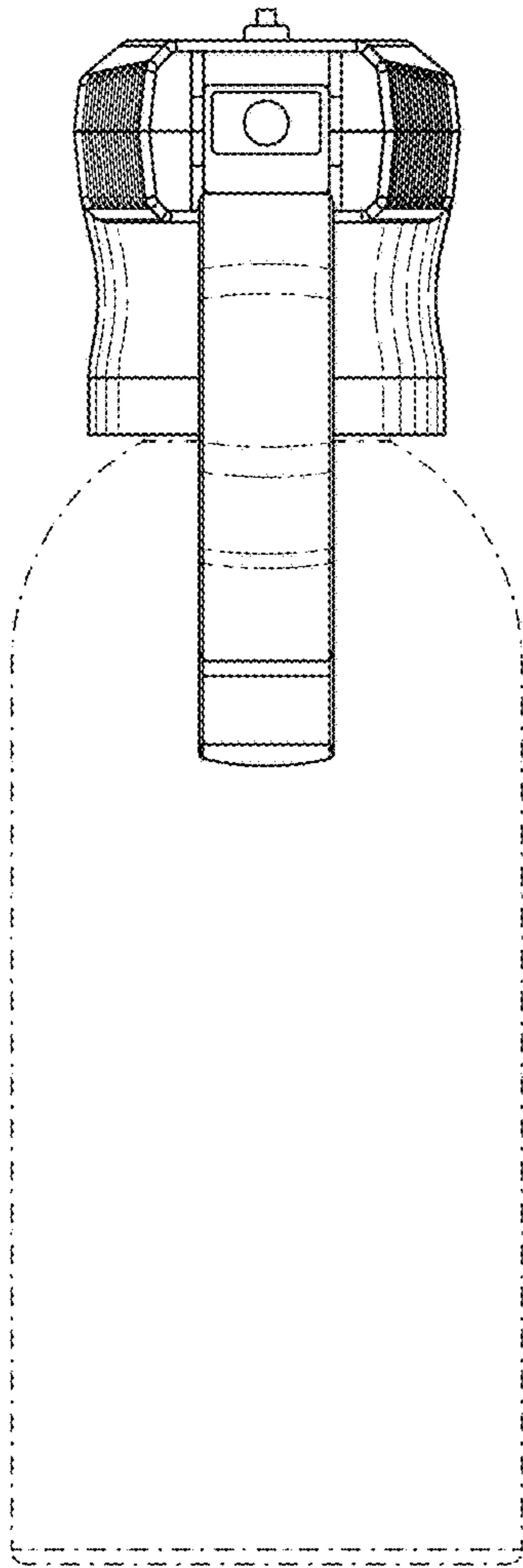


FIG. 3

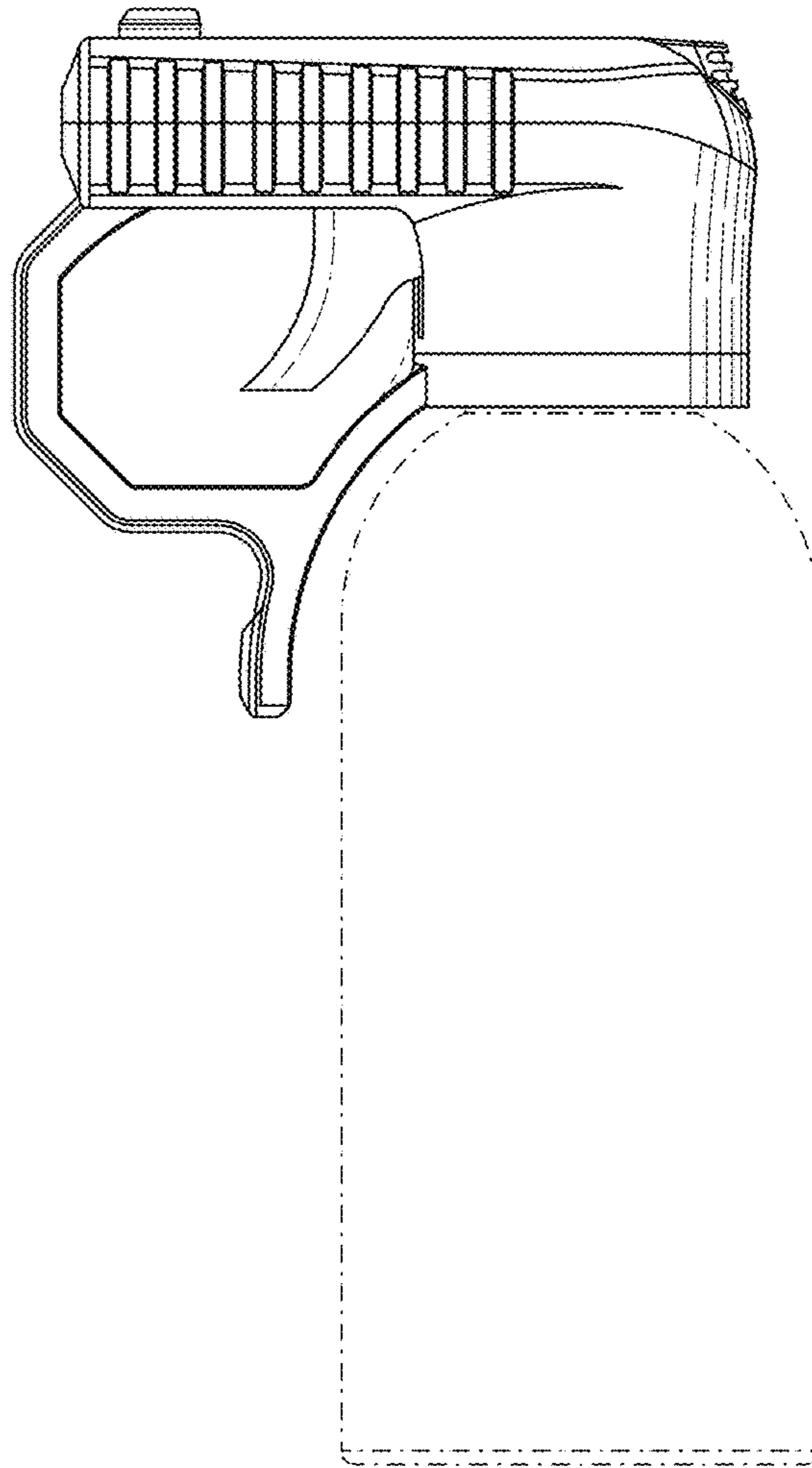


FIG. 2

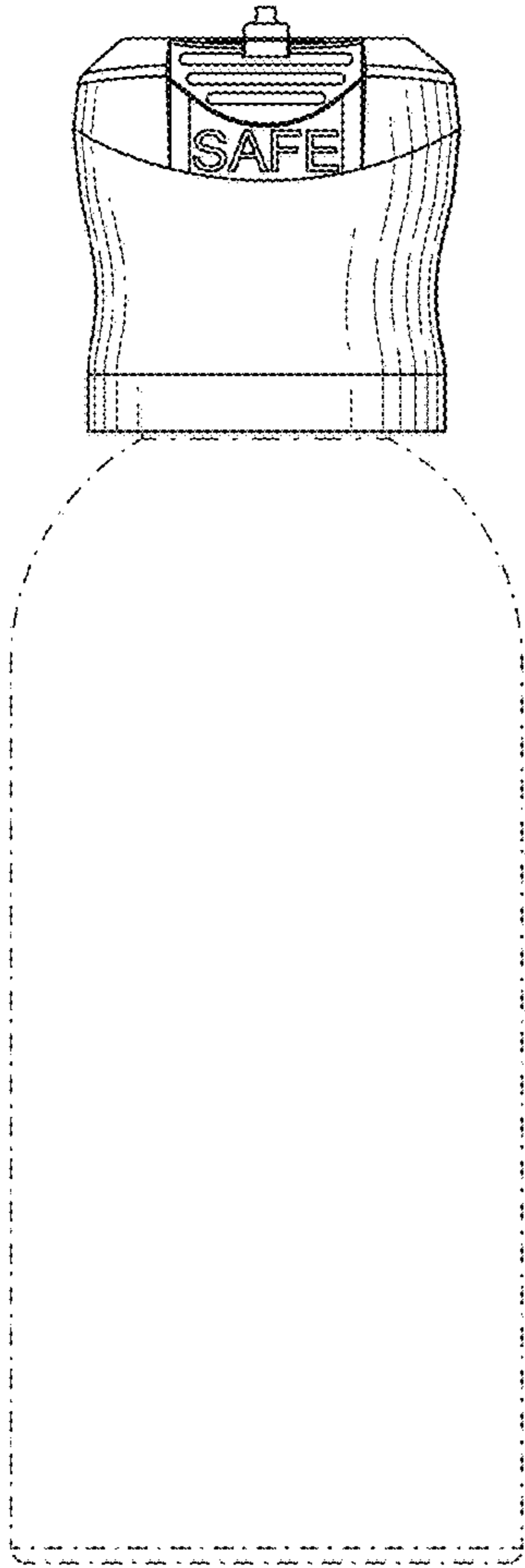


FIG. 5

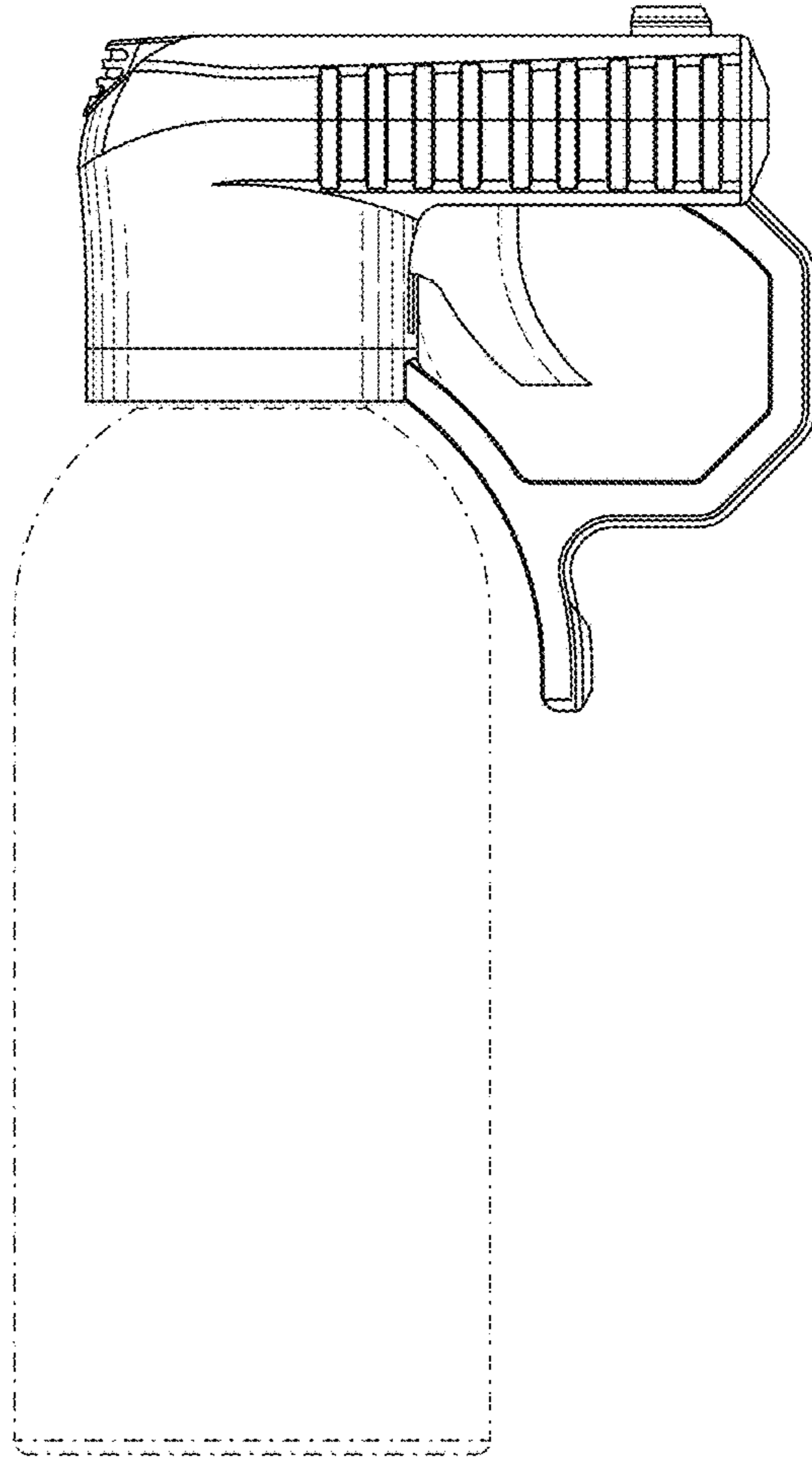


FIG. 4

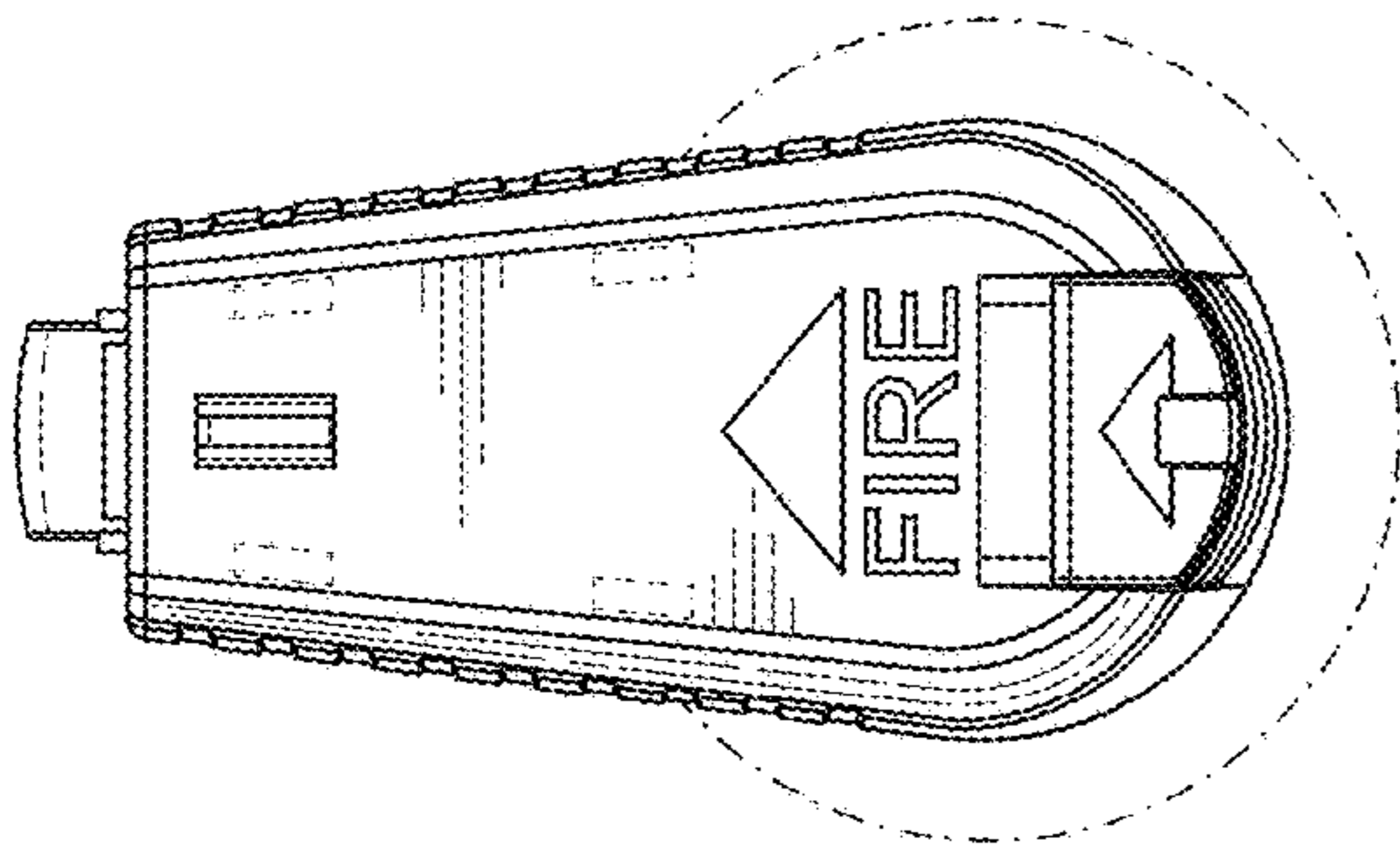


FIG. 6

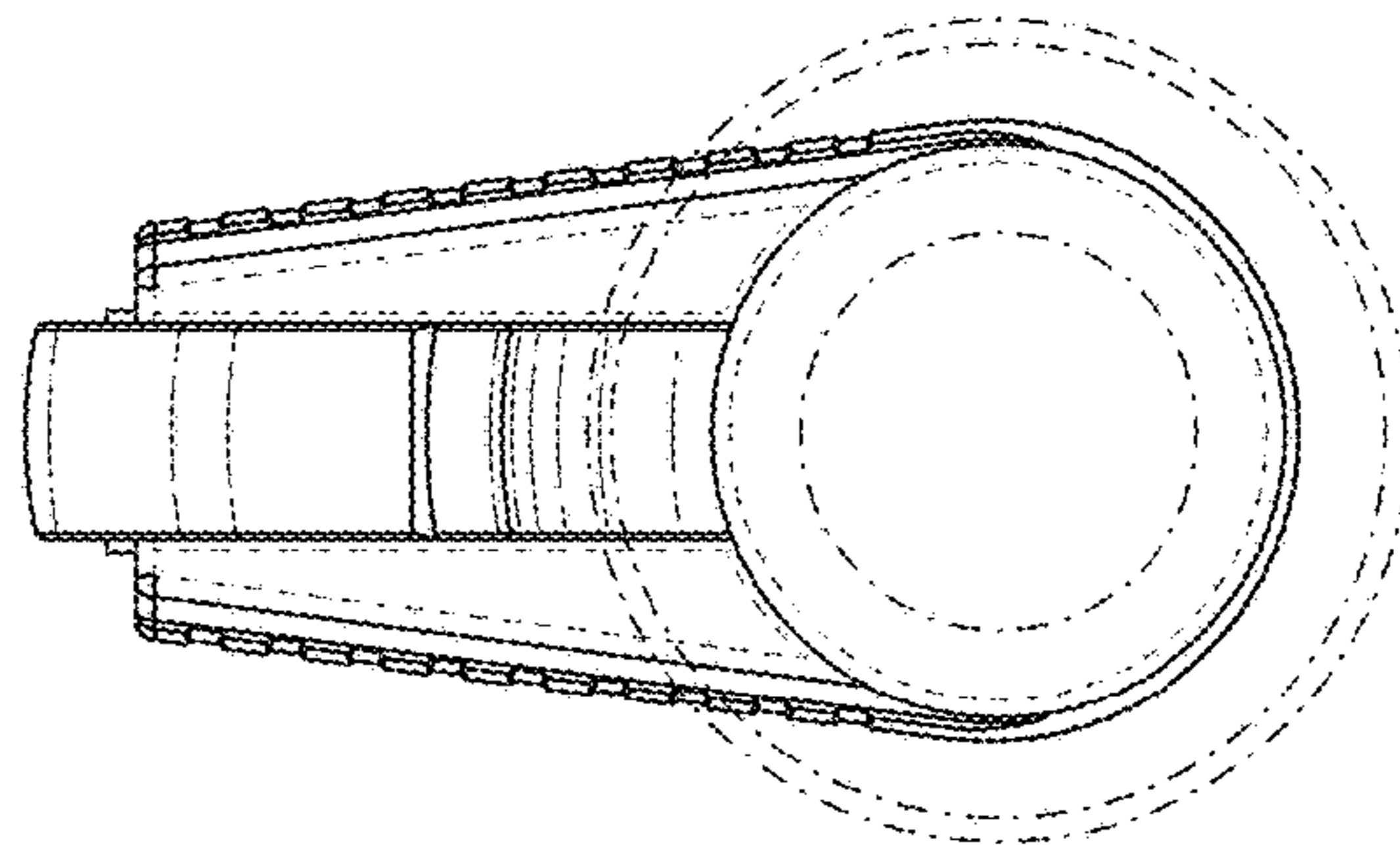


FIG. 7

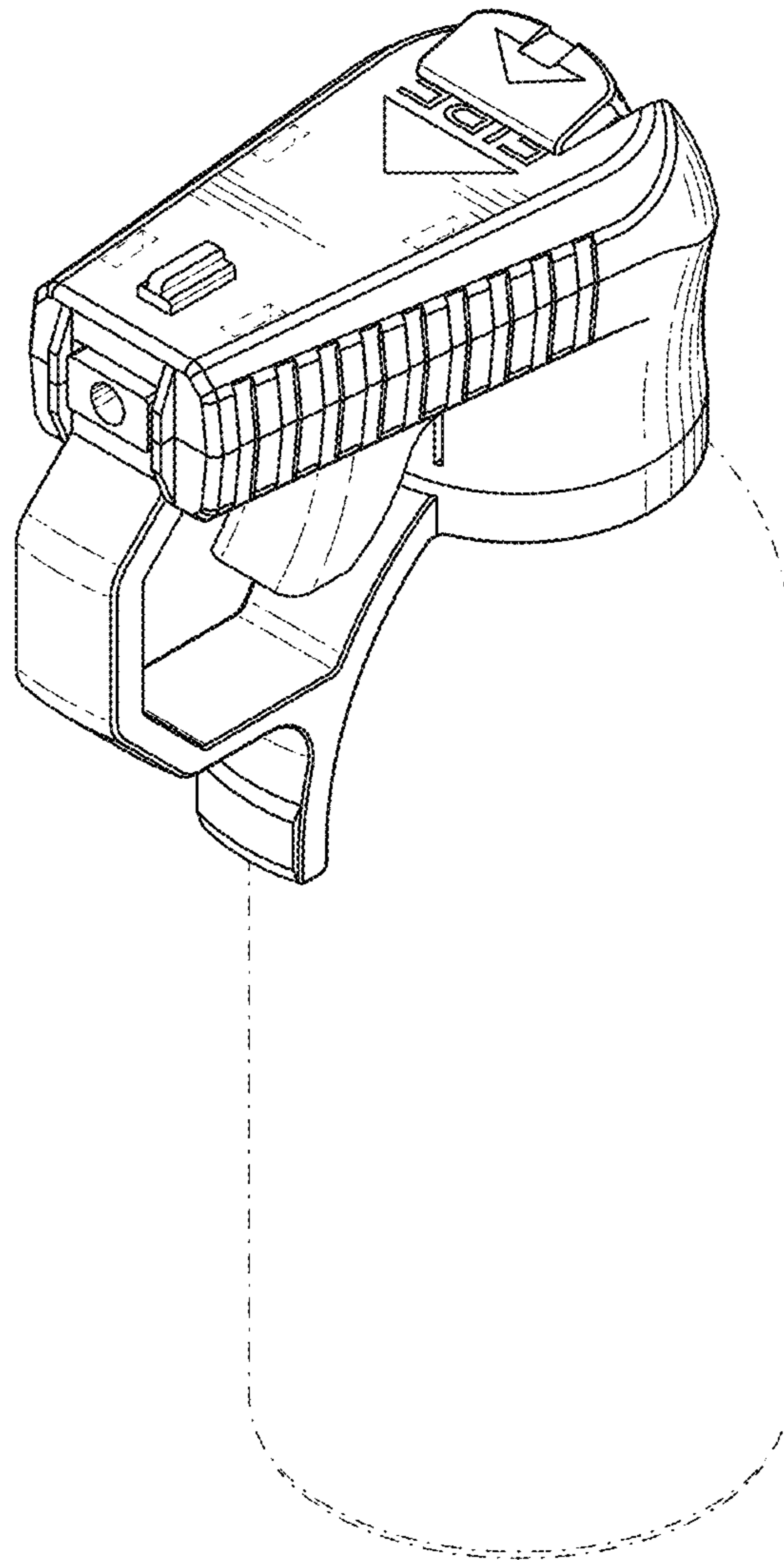


FIG. 8

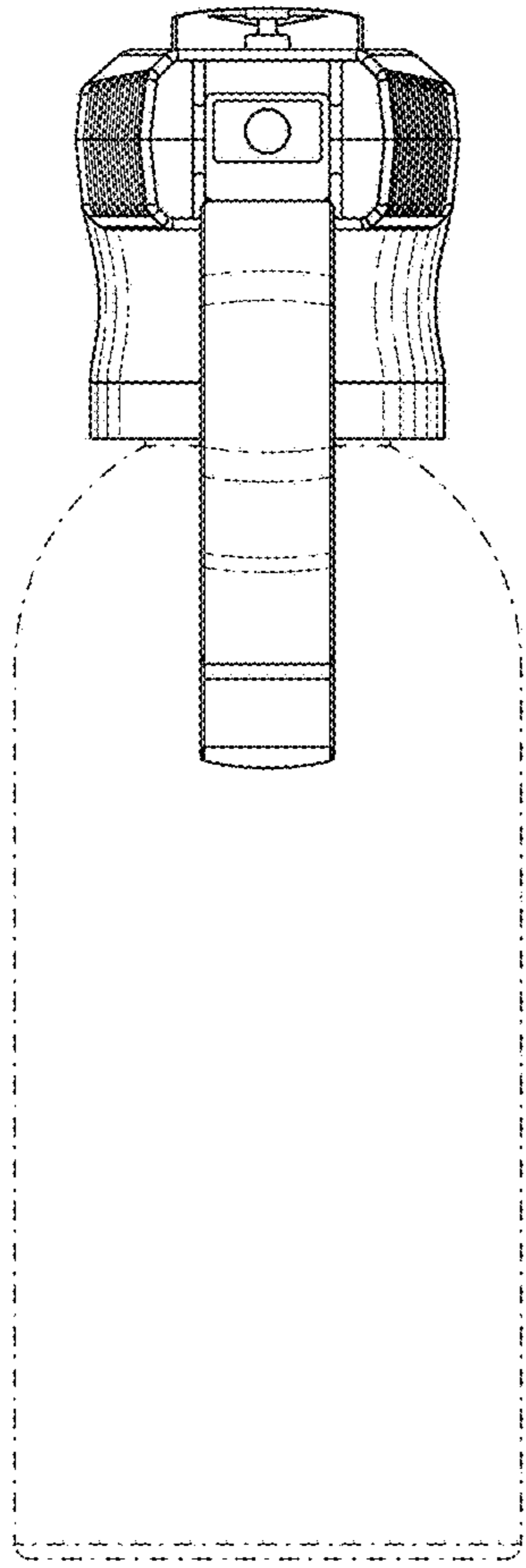


FIG. 10

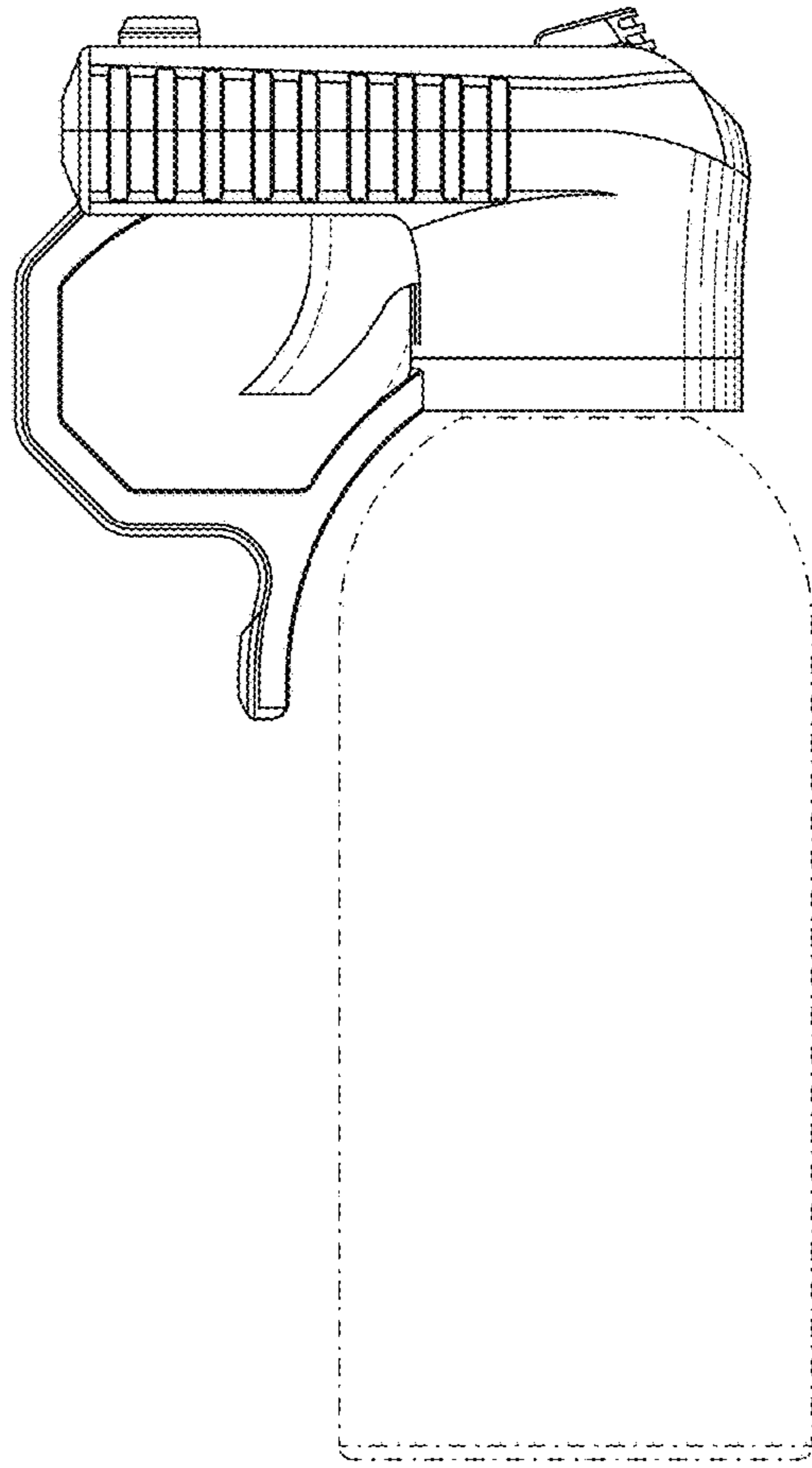


FIG. 9

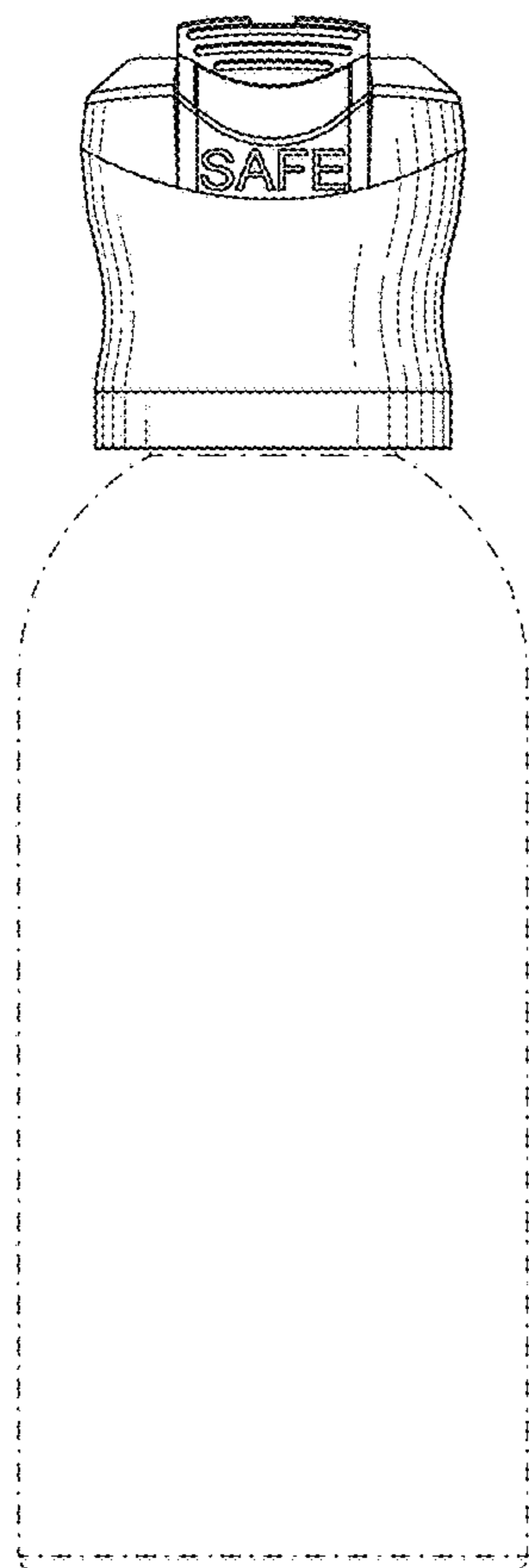


FIG. 12

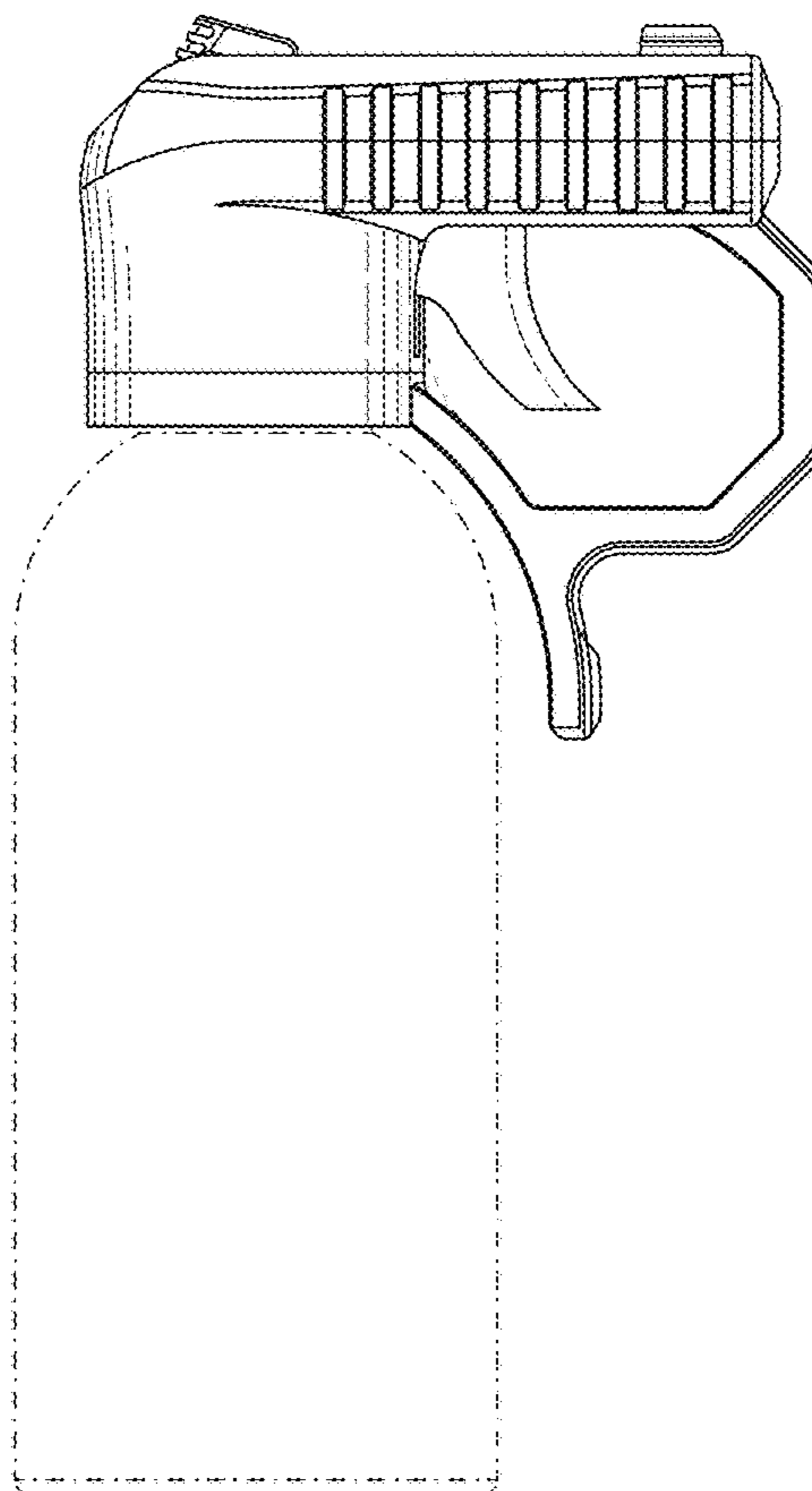


FIG. 11

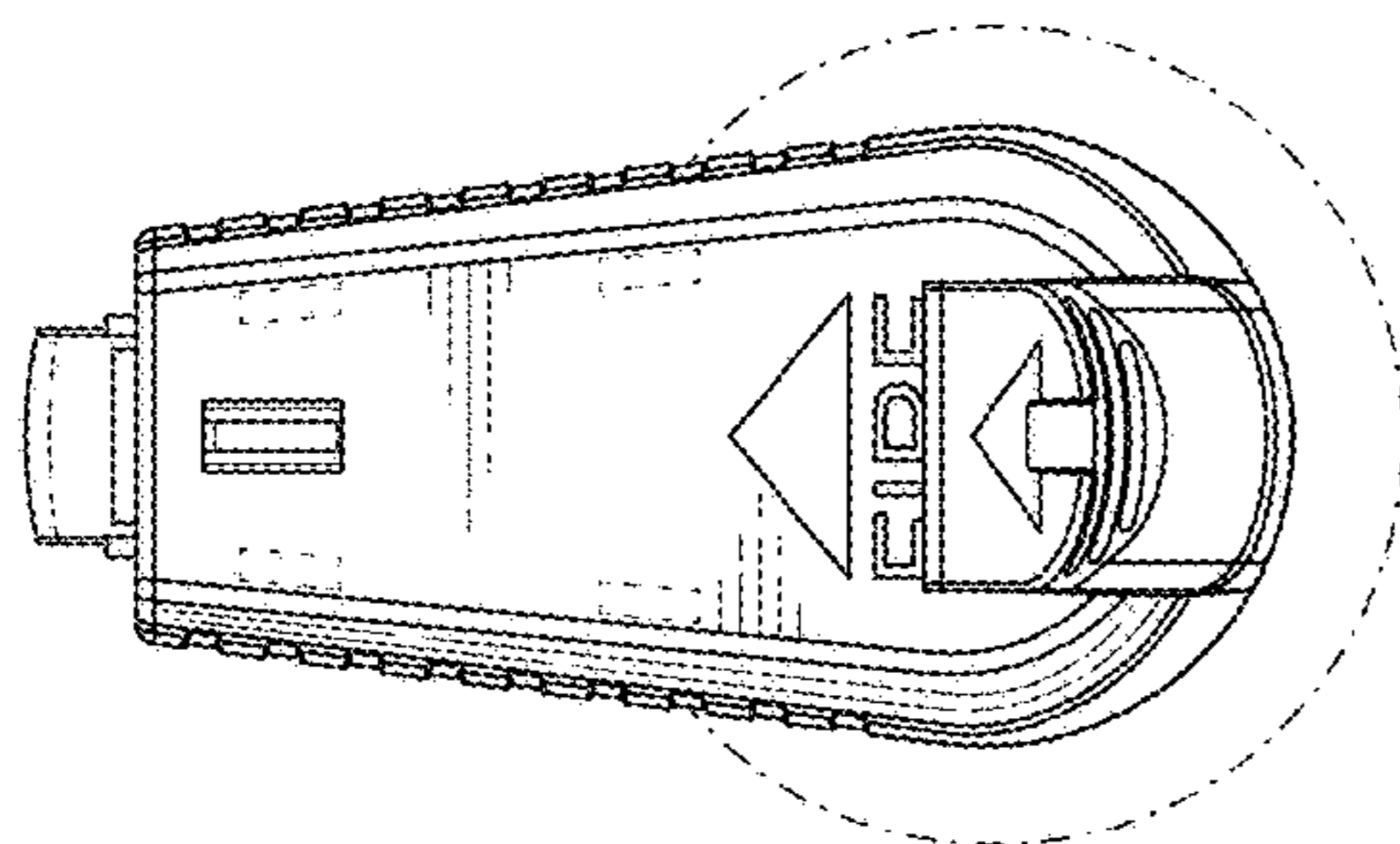


FIG. 13

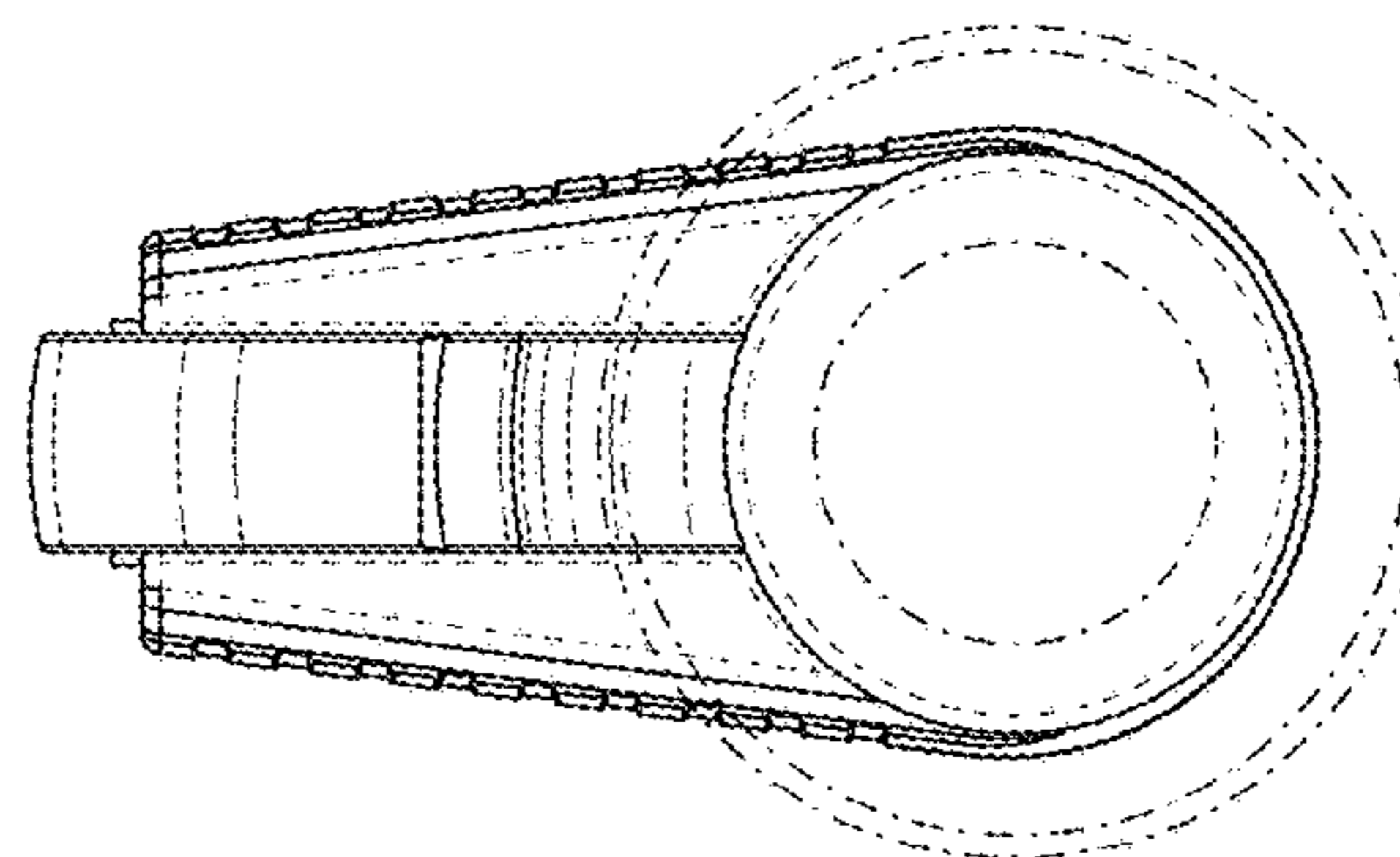


FIG. 14