



US00D834142S

(12) **United States Design Patent**
Constantine

(10) **Patent No.:** **US D834,142 S**

(45) **Date of Patent:** **** Nov. 20, 2018**

- (54) **FISH DEHOOKER/EXTRACTOR**
- (71) Applicant: **ACME UNITED CORPORATION**,
Fairfield, CT (US)
- (72) Inventor: **Richard S. Constantine**, Monroe, CT
(US)
- (73) Assignee: **ACME UNITED CORPORATION**,
Fairfield, CT (US)
- (**) Term: **15 Years**
- (21) Appl. No.: **29/624,093**
- (22) Filed: **Oct. 30, 2017**
- (51) **LOC (11) Cl.** **22-05**
- (52) **U.S. Cl.**
USPC **D22/149**
- (58) **Field of Classification Search**
USPC D22/149-150, 134; 43/53.5, 17.2;
383/71, 91
CPC A01K 97/18
See application file for complete search history.

- D331,790 S * 12/1992 Henry D22/149
- D382,628 S * 8/1997 Swindle D22/149
- D387,846 S * 12/1997 Brain D22/149
- 6,840,002 B1 * 1/2005 Dick A01K 97/18
43/53.5
- D518,869 S * 4/2006 Thomley D22/149
- 8,381,430 B1 * 2/2013 Dougherty A01K 97/18
43/53.5
- D706,900 S * 6/2014 Neeley, Jr. D22/142
- D723,134 S * 2/2015 Constantine D22/149

* cited by examiner

Primary Examiner — Catherine R Oliver-Garcia
(74) *Attorney, Agent, or Firm* — Bond Schoeneck &
King, PLLC; George McGuire

(57) **CLAIM**

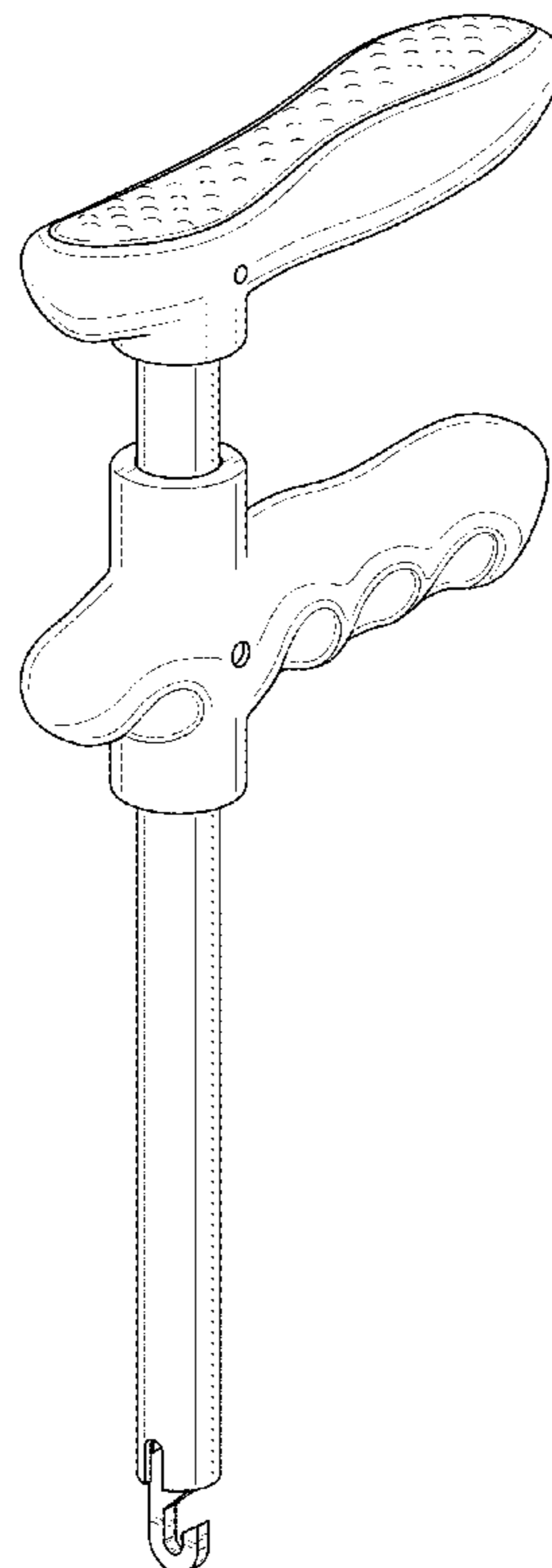
The ornamental design for a fish dehooker/extractor, as shown and described.

DESCRIPTION

FIG. 1 is a perspective view of a new and ornamental design for a fish dehooker/extractor;
FIG. 2 is a first side elevation view thereof;
FIG. 3 is a second side elevation view thereof;
FIG. 4 is a front elevation view thereof;
FIG. 5 is a rear elevation view thereof;
FIG. 6 is a top plan view thereof; and,
FIG. 7 is a bottom plan view thereof.

1 Claim, 5 Drawing Sheets

- (56) **References Cited**
U.S. PATENT DOCUMENTS
4,028,825 A * 6/1977 Tetzner A01K 97/18
43/53.5
D247,971 S * 5/1978 Turner D22/149



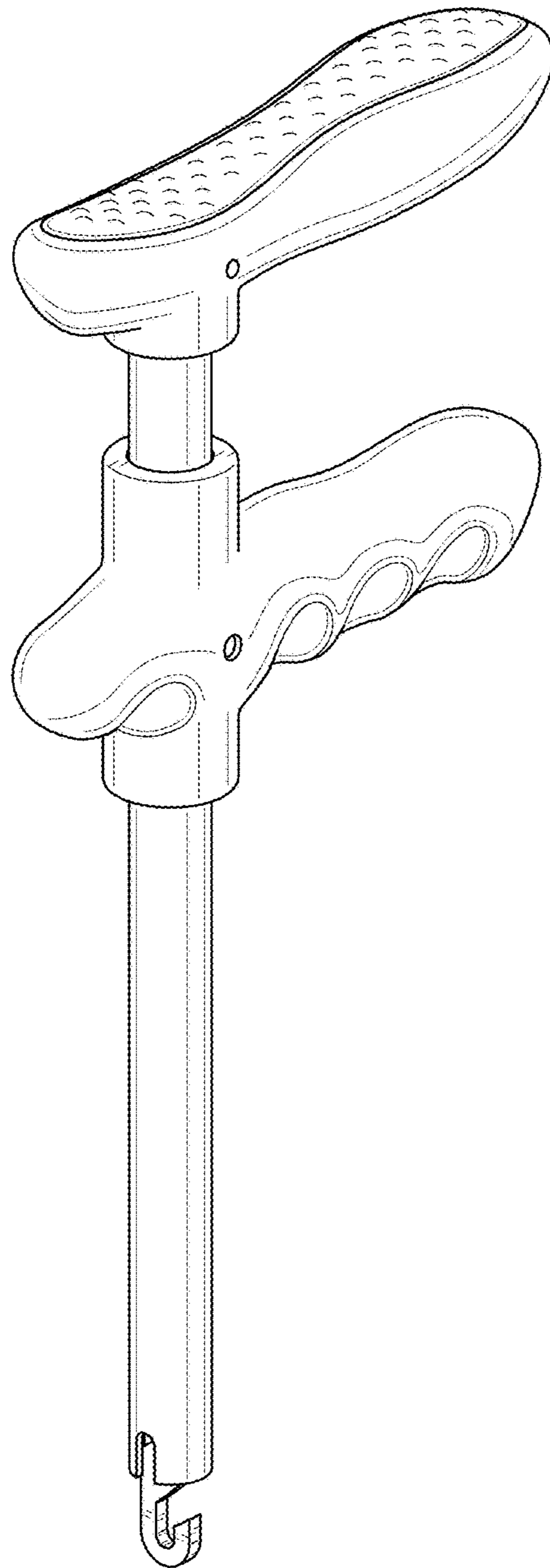


FIG. 1

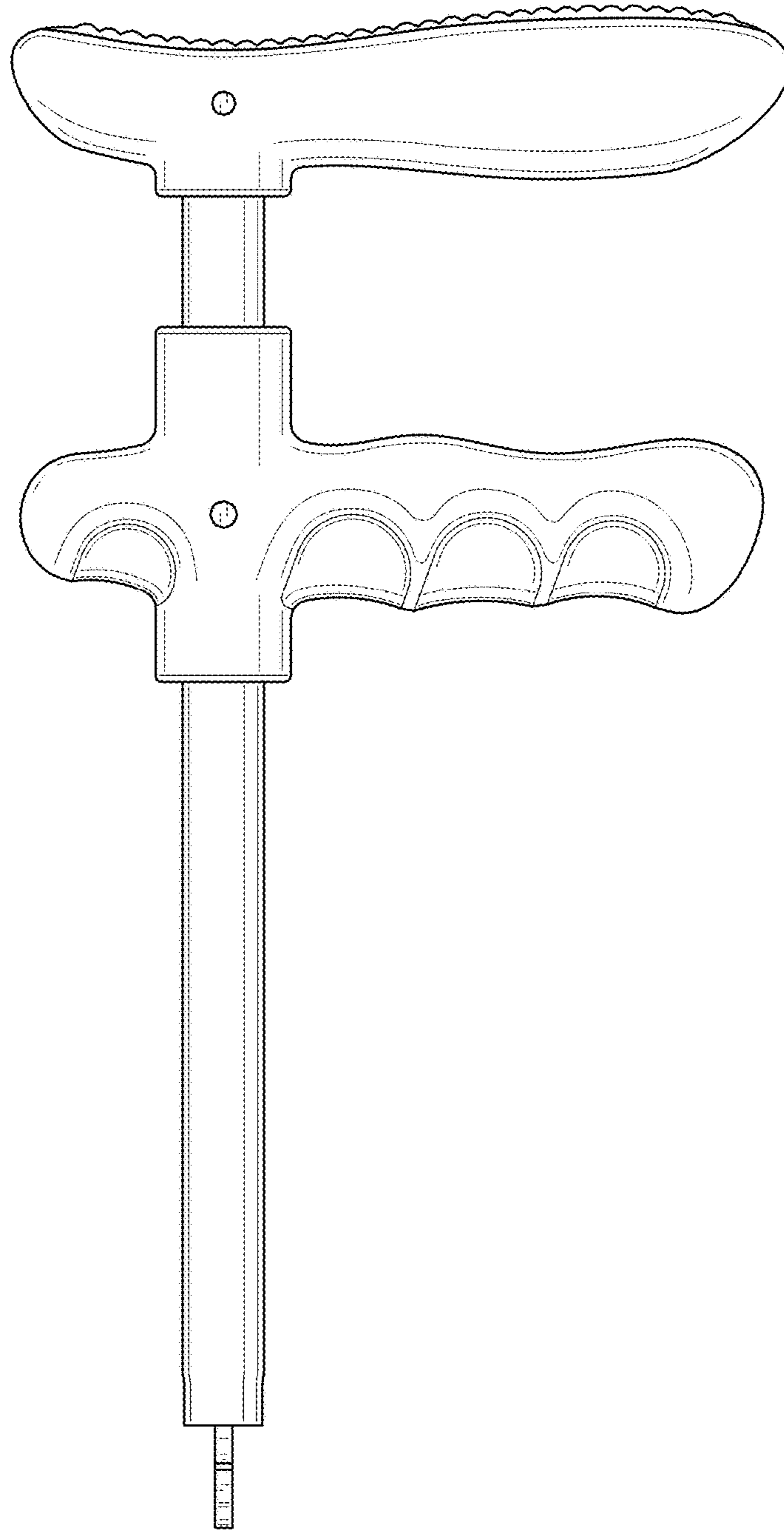


FIG. 2

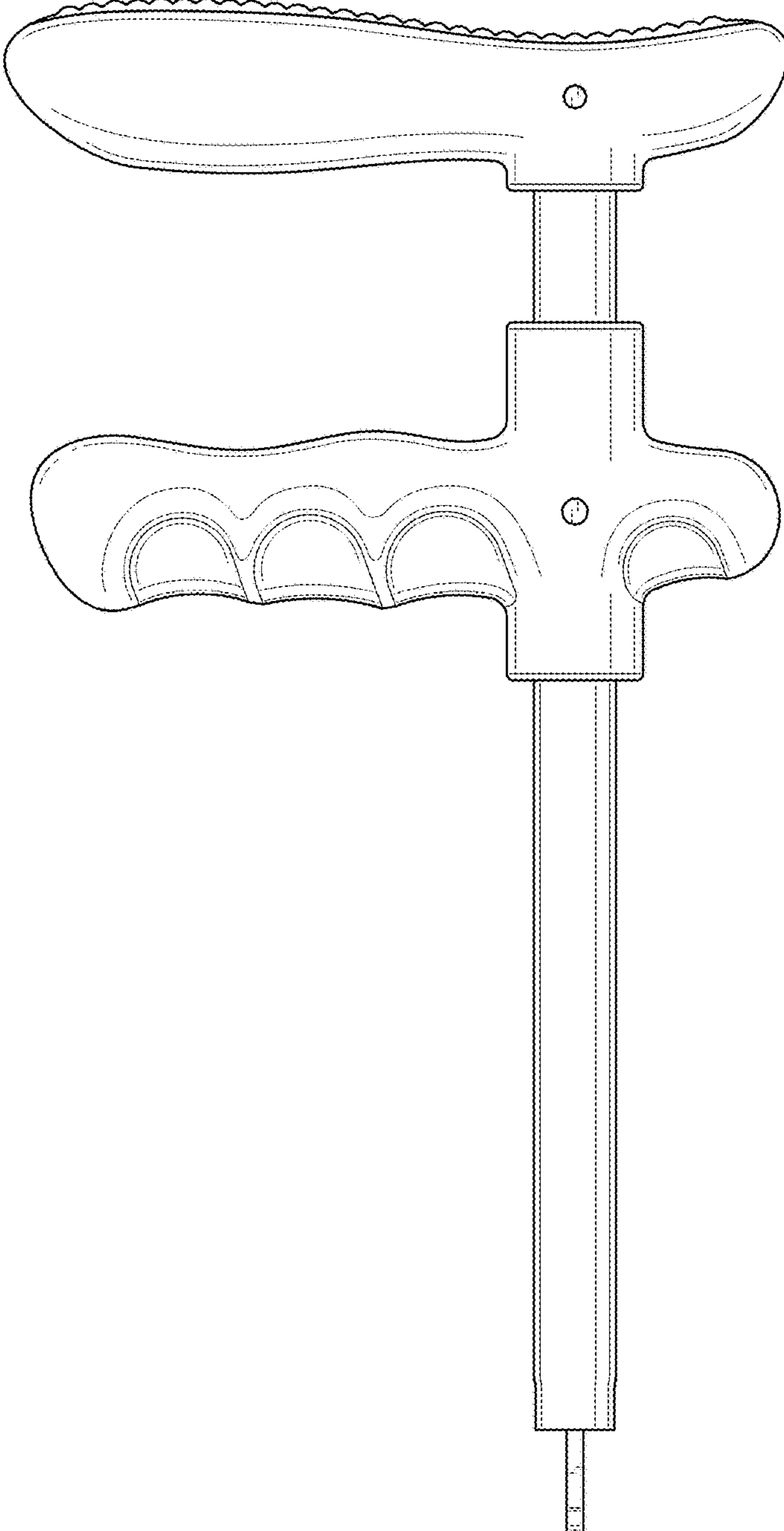


FIG. 3

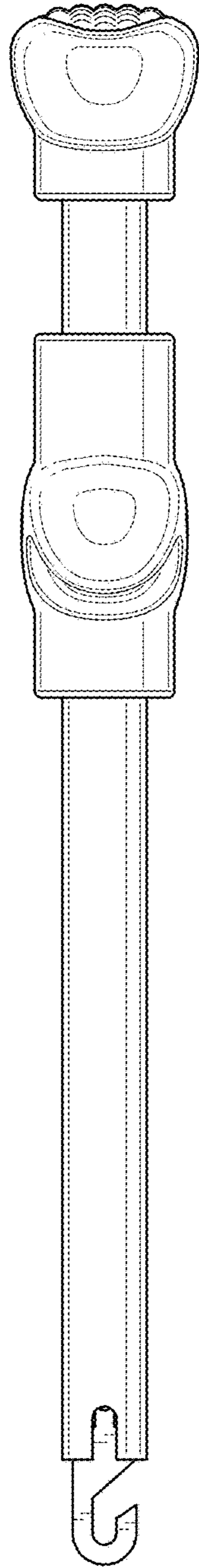


FIG. 4

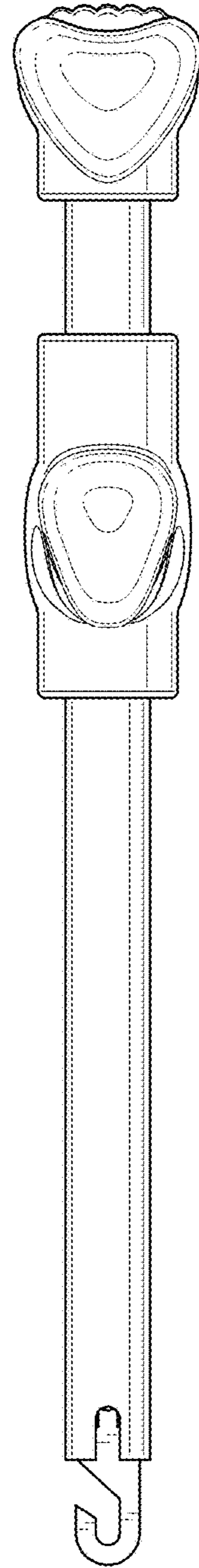


FIG. 5

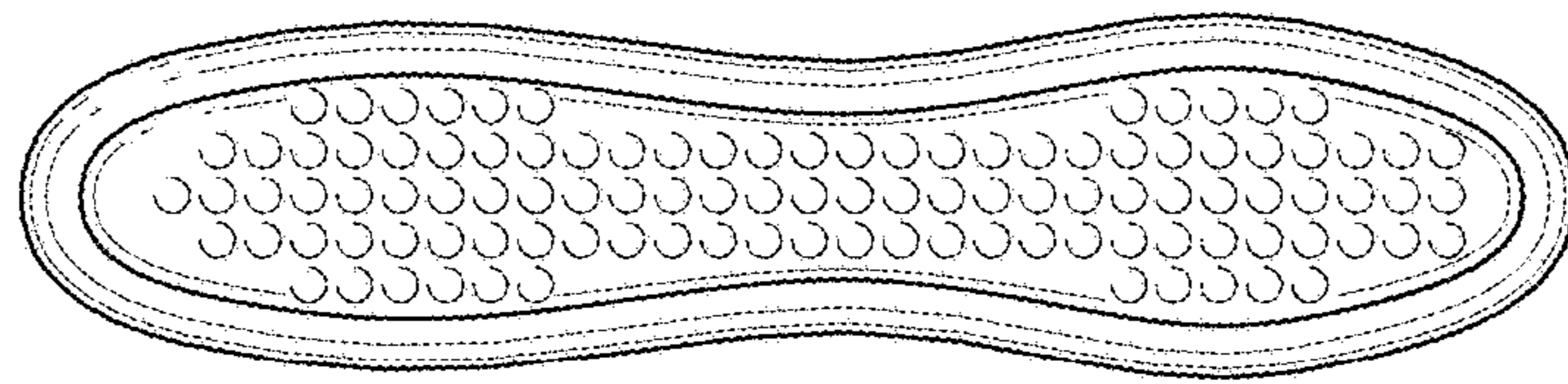


FIG. 6

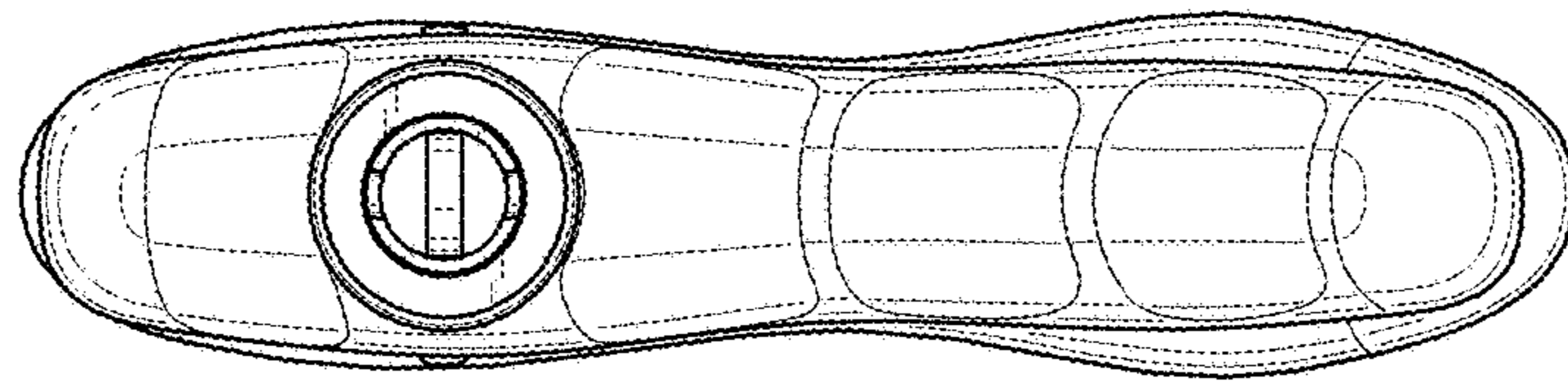


FIG. 7