



US00D834141S

(12) **United States Design Patent** (10) **Patent No.:** **US D834,141 S**  
**Thomas** (45) **Date of Patent:** **\*\* Nov. 20, 2018**

(54) **FISHING ROD HANDLE ASSEMBLY**

(71) Applicant: **Todd Douglas Thomas**, Piedmont, OK (US)

(72) Inventor: **Todd Douglas Thomas**, Piedmont, OK (US)

(\*\*) Term: **15 Years**

(21) Appl. No.: **29/622,878**

(22) Filed: **Oct. 20, 2017**

(51) **LOC (11) Cl.** ..... **22-05**

(52) **U.S. Cl.**  
USPC ..... **D22/142**

(58) **Field of Classification Search**  
USPC ..... D22/142, 137-138; 43/21.2, 25.2, 22-23  
CPC ..... A01K 77/00; A01K 87/08  
See application file for complete search history.

(56) **References Cited**

**U.S. PATENT DOCUMENTS**

|           |     |         |            |       |            |
|-----------|-----|---------|------------|-------|------------|
| 3,803,742 | A * | 4/1974  | Foster     | ..... | A01K 77/00 |
|           |     |         |            |       | 43/11      |
| D256,835  | S * | 9/1980  | Weise, Jr. | ..... | D22/142    |
| 4,860,483 | A   | 8/1989  | Hlad       |       |            |
| D326,894  | S * | 6/1992  | Mundy, Jr. | ..... | D22/142    |
| 5,363,586 | A   | 11/1994 | Balkenbush |       |            |
| D356,622  | S   | 3/1995  | Balkenbush |       |            |
| 5,426,884 | A   | 6/1995  | Makowsky   |       |            |

|              |     |         |          |       |         |
|--------------|-----|---------|----------|-------|---------|
| 6,237,274    | B1  | 5/2001  | Head     |       |         |
| 7,854,086    | B2  | 12/2010 | Huynh    |       |         |
| 9,119,385    | B2  | 9/2015  | Cooper   |       |         |
| D780,881     | S * | 3/2017  | Olsen    | ..... | D22/142 |
| 2003/0131481 | A1  | 7/2003  | Sullivan |       |         |

\* cited by examiner

*Primary Examiner* — Catherine R Oliver-Garcia  
(74) *Attorney, Agent, or Firm* — D. Ward Hobson

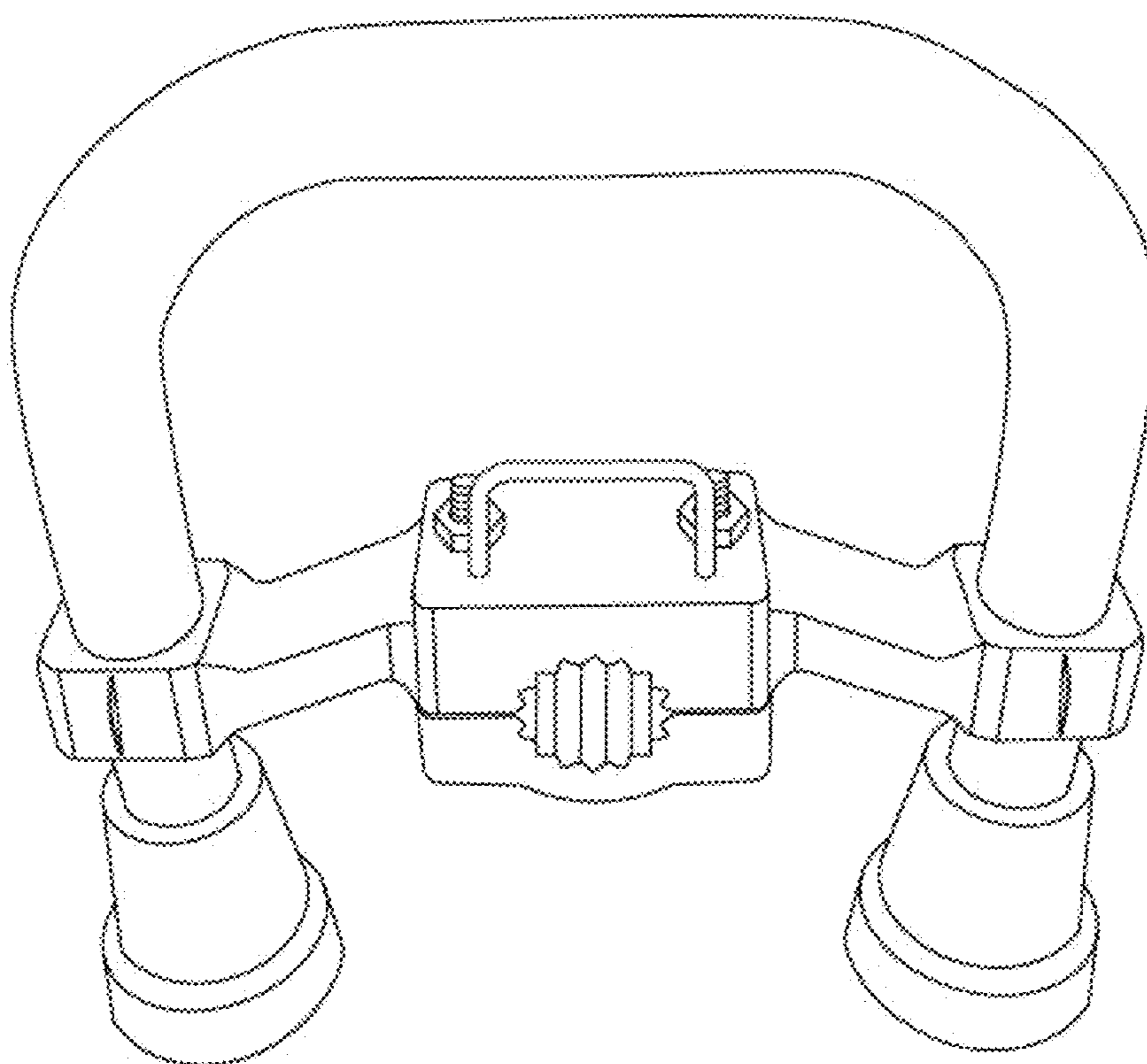
(57) **CLAIM**

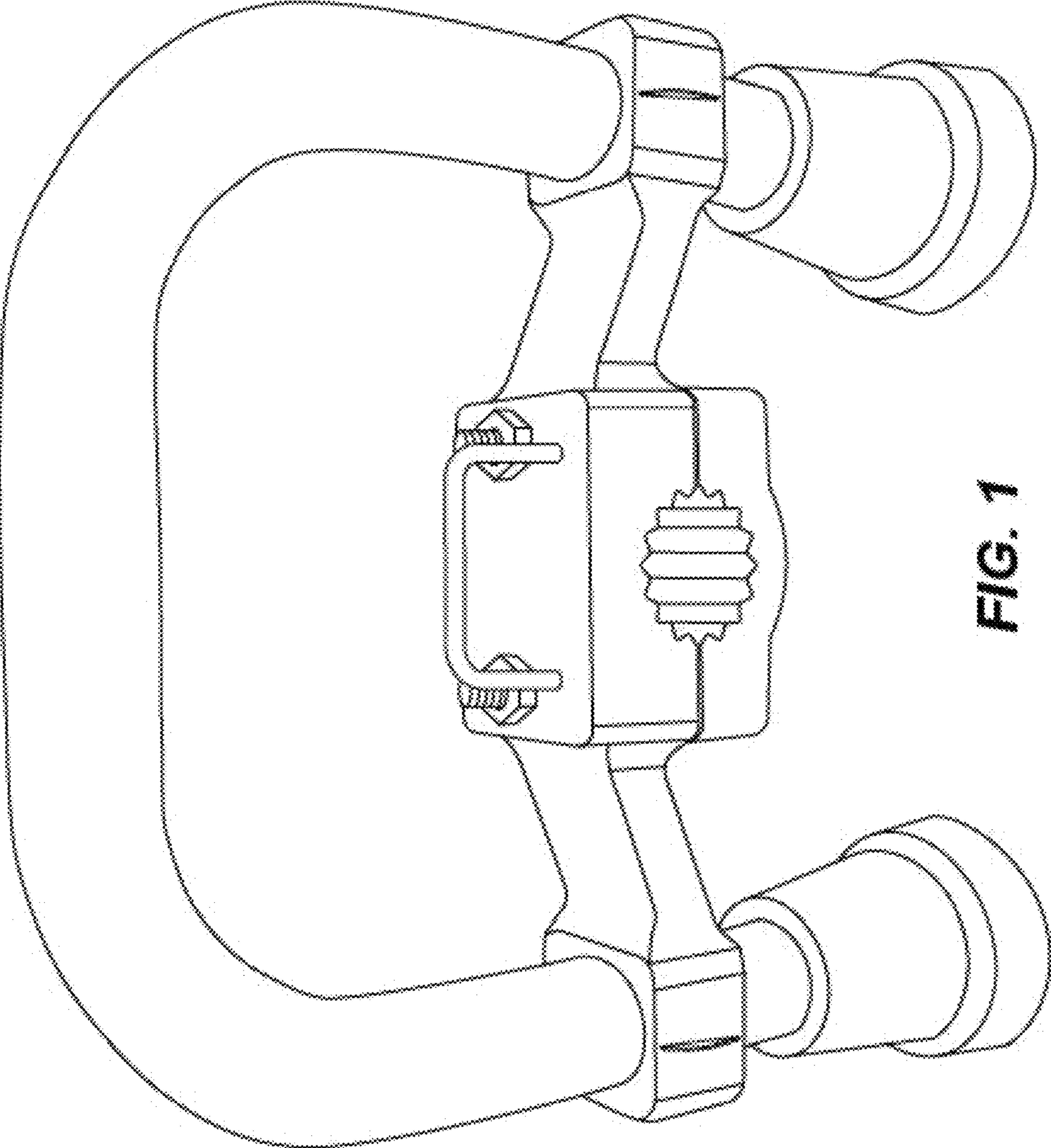
The ornamental design for a fishing rod handle assembly, as shown and described.

**DESCRIPTION**

FIG. 1 is a front perspective view of the fishing rod handle assembly embodying my new design.  
FIG. 2 is a rear perspective view of the fishing rod handle assembly.  
FIG. 3 is a right side perspective view of the fishing rod handle assembly.  
FIG. 4 is a left side perspective view of the fishing rod handle assembly.  
FIG. 5 is a bottom perspective view of the fishing rod handle assembly; and,  
FIG. 6 is a top perspective view of the fishing rod handle assembly.

**1 Claim, 6 Drawing Sheets**





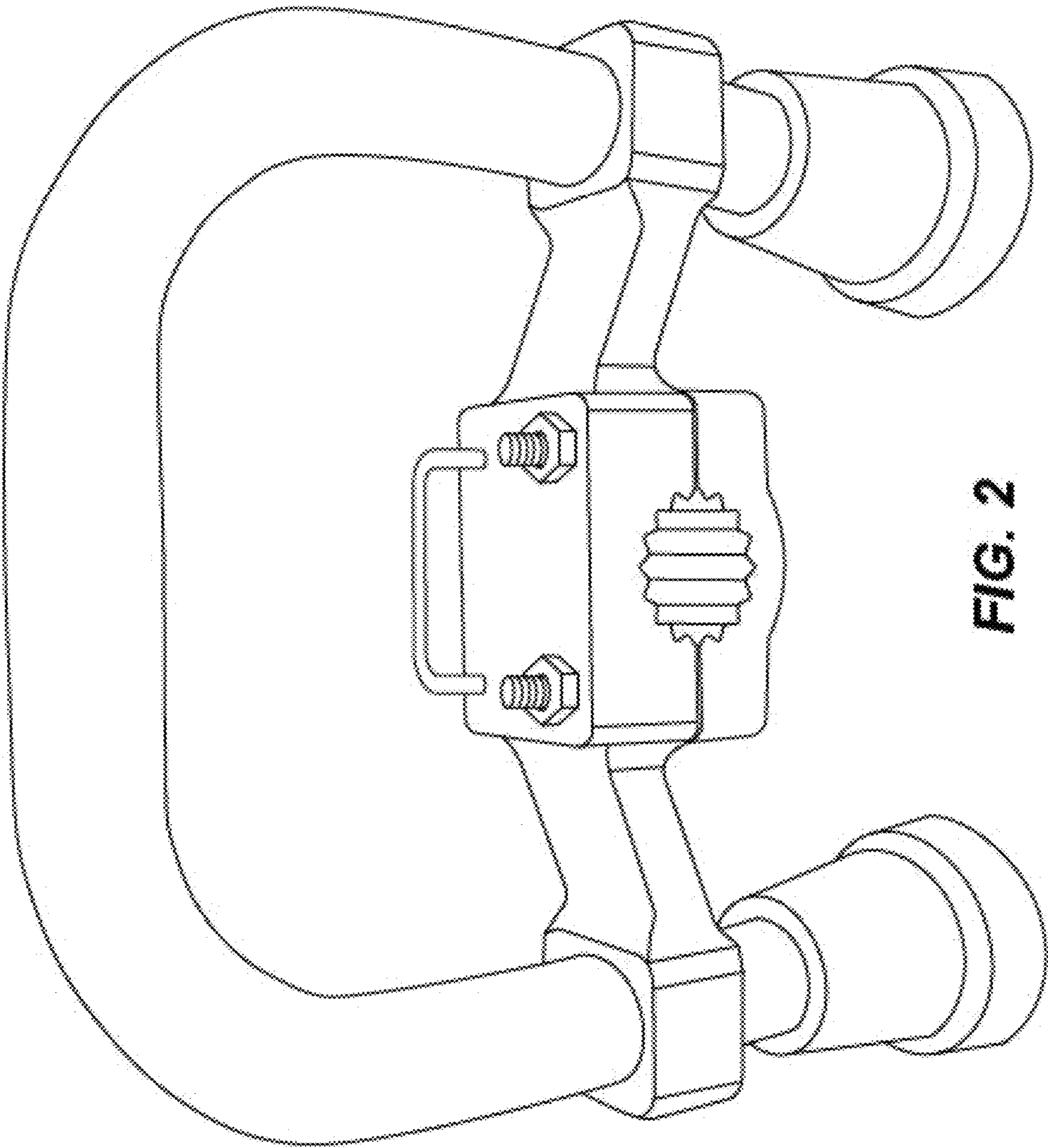
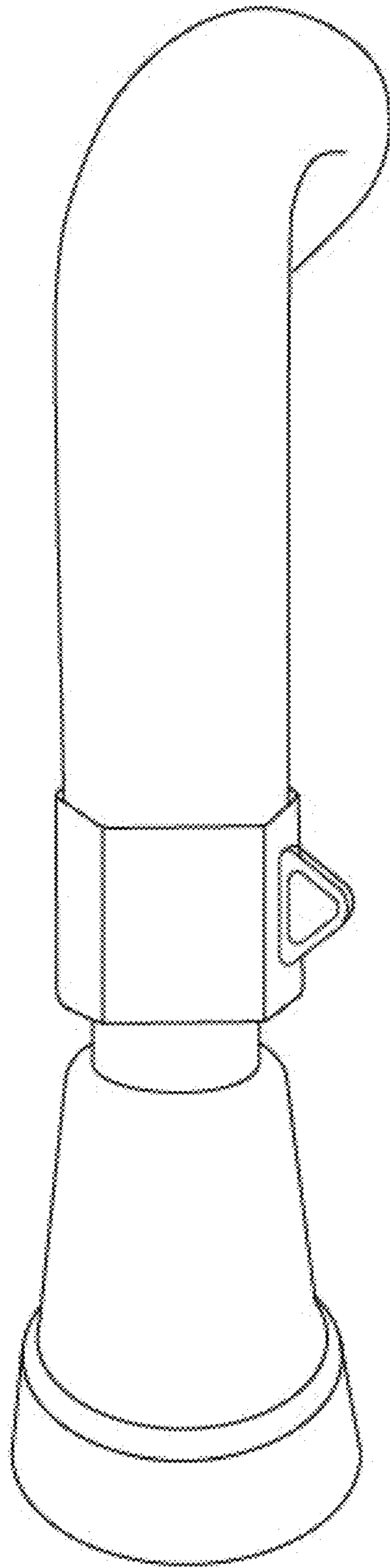
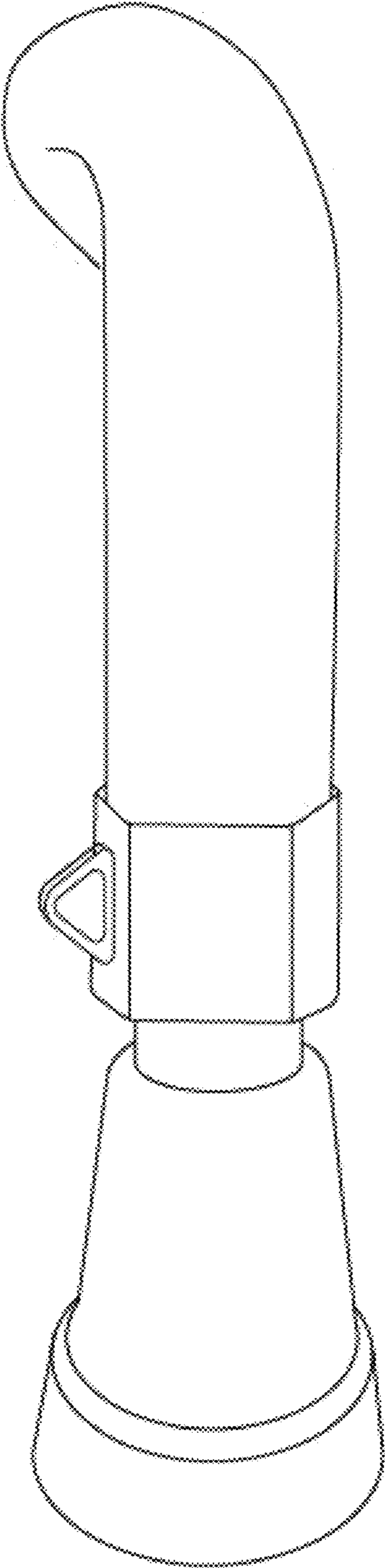


FIG. 2



**FIG. 3**



**FIG. 4**

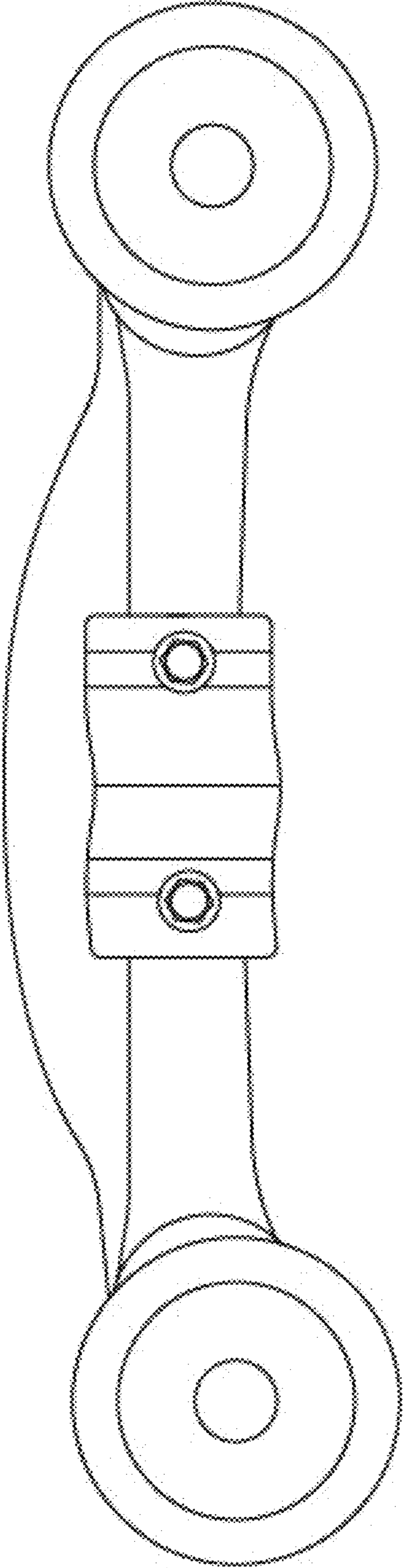


FIG. 5

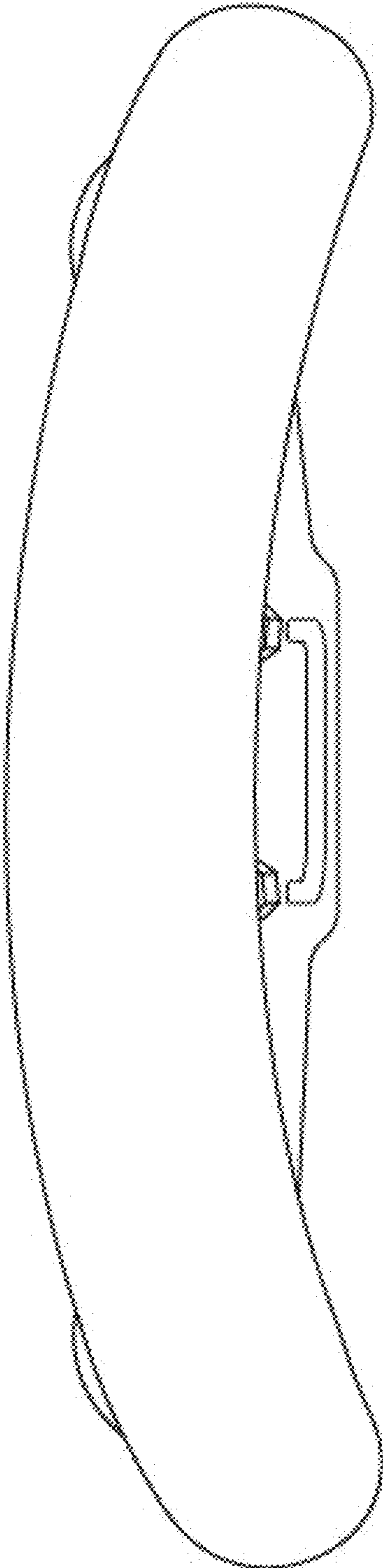


FIG. 6