



US00D834140S

(12) **United States Design Patent** (10) **Patent No.:** **US D834,140 S**
Kim (45) **Date of Patent:** **** Nov. 20, 2018**

(54) **FISHING LINE CONNECTOR**

D816,185 S * 4/2018 Kim D22/134

* cited by examiner

(71) Applicant: **Il Han Kim**, Daegu (KR)

Primary Examiner — Catherine R Oliver-Garcia

(72) Inventor: **Il Han Kim**, Daegu (KR)

(74) *Attorney, Agent, or Firm* — Paratus Law Group, PLLC

(**) Term: **15 Years**

(57) **CLAIM**

(21) Appl. No.: **29/613,460**

The ornamental design for a fishing line connector, as shown and described.

(22) Filed: **Aug. 10, 2017**

DESCRIPTION

(30) **Foreign Application Priority Data**

Apr. 4, 2017 (KR) 30-2017-0015489

(51) **LOC (11) Cl.** **22-05**

(52) **U.S. Cl.**
USPC **D22/134**

(58) **Field of Classification Search**
USPC D22/134, 143; 43/44.83; 24/373, 598.2,
24/600.9, 601.3, 908
CPC A01K 91/00; A01K 91/04; A01K 91/18;
F16G 11/00; F16G 11/10
See application file for complete search history.

FIG. 1 is a perspective view of a fishing line connector showing the claimed design;
FIG. 2 is a front view thereof;
FIG. 3 is a rear view thereof;
FIG. 4 is a left side view thereof;
FIG. 5 is a right side view thereof;
FIG. 6 is a top view thereof;
FIG. 7 is a bottom view thereof;
FIG. 8 is a reference view of the design shown in use;
FIG. 9 is a reference view of the design shown in use;
FIG. 10 is a reference view of the design shown in use;
FIG. 11 is a reference view of the design shown in use;
FIG. 12 is a reference view of the design shown in use;
FIG. 13 is a reference view of the design shown in use;
FIG. 14 is a reference view of the design shown in use;
FIG. 15 is a reference view of the design shown in use;
FIG. 16 is a reference view of the design shown in use;
FIG. 17 is a reference view of the design shown in use;
FIG. 18 is a reference view of the design shown in use;
FIG. 19 is a reference view of the design shown in use; and,
FIG. 20 is a reference view of the design shown in use.
The dash-dot-dash lines represent a boundary line. The remaining broken lines depict environment and are for illustrative purposes only and form no part of the claimed design.

(56) **References Cited**

U.S. PATENT DOCUMENTS

- 2,871,540 A * 2/1959 Smith A01K 91/04
24/600.9
- 3,122,803 A * 3/1964 Boggess A01K 91/04
24/373
- 5,926,996 A * 7/1999 Frazier A01K 91/18
24/908
- D430,261 S * 8/2000 Yong-Set D22/134
- D536,763 S * 2/2007 Friedrichs D22/134
- D760,342 S * 6/2016 Kim D22/134
- D760,343 S * 6/2016 Kim D22/134
- D816,184 S * 4/2018 Kim D22/134

1 Claim, 19 Drawing Sheets

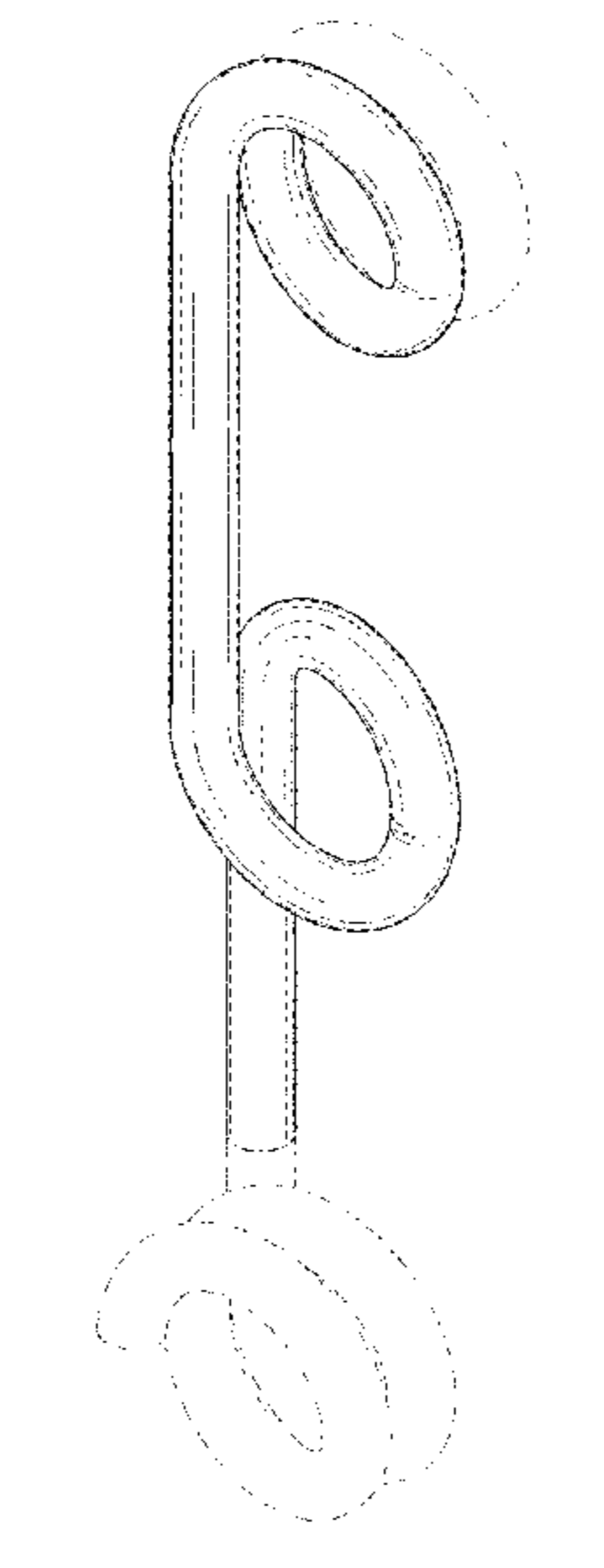


FIG. 1

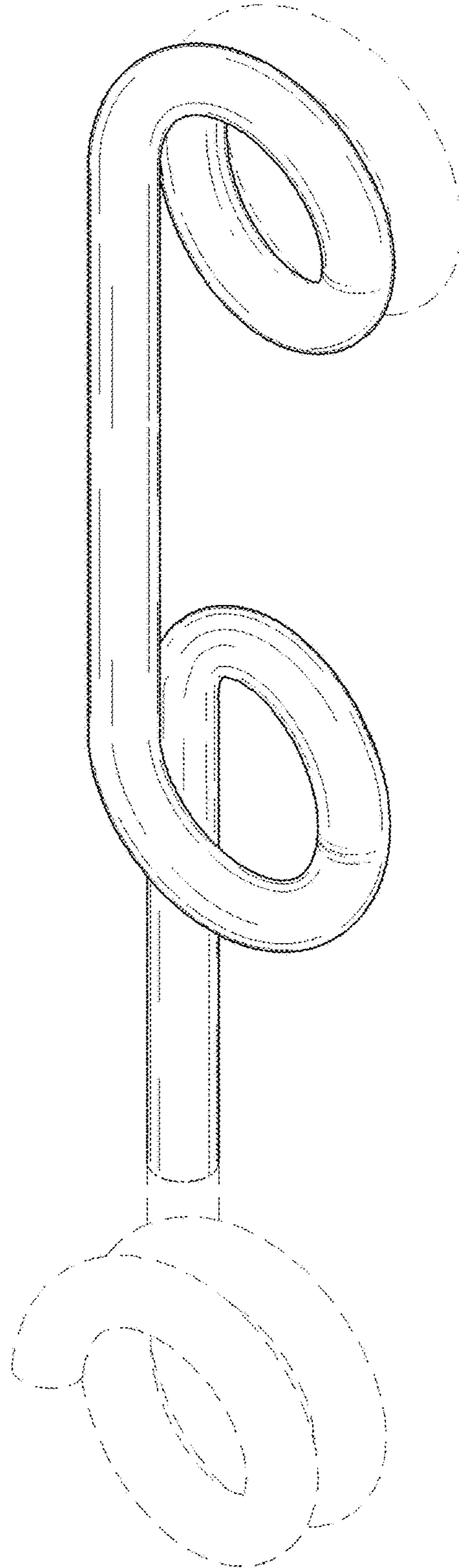


FIG. 2

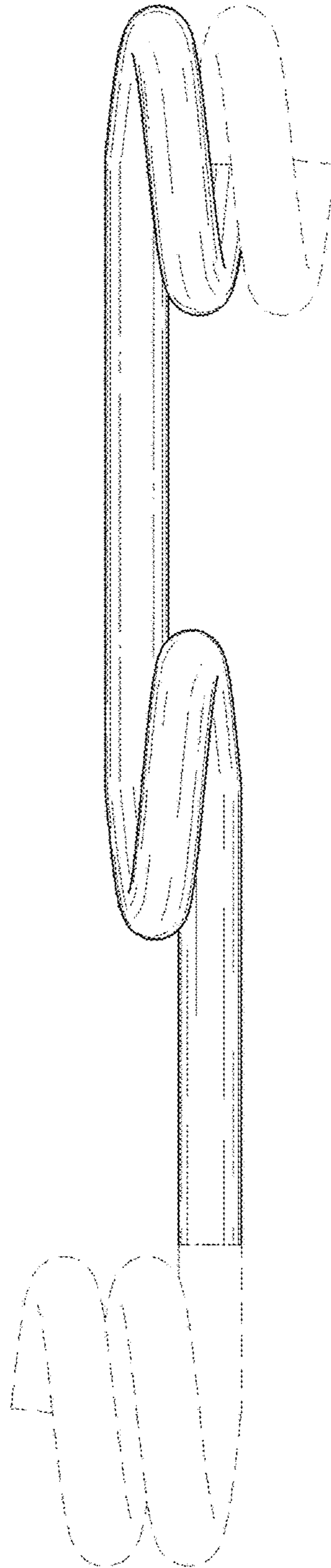


FIG. 3

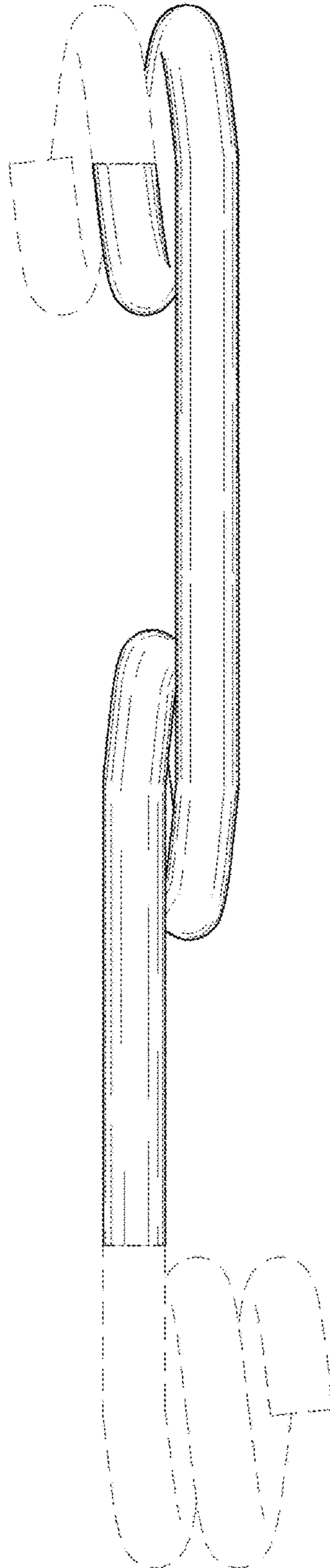


FIG. 4

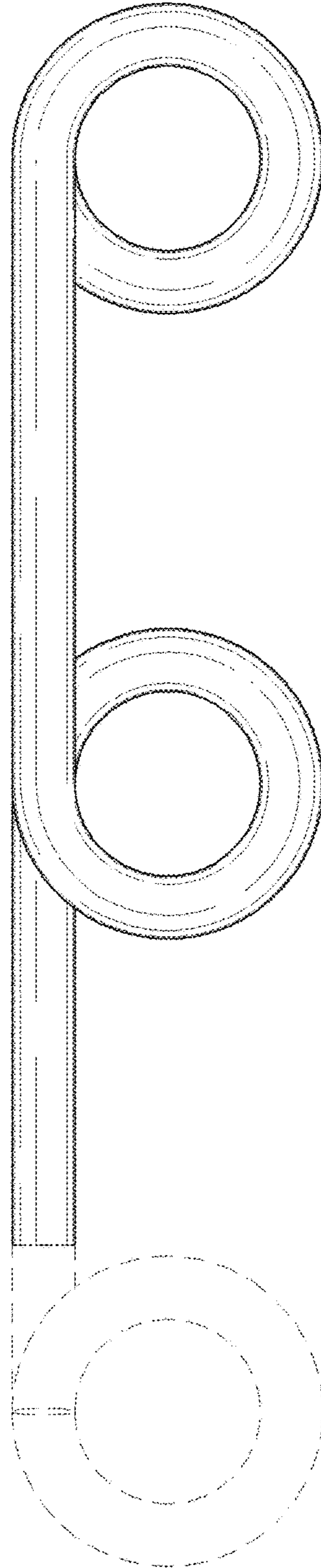


FIG. 5

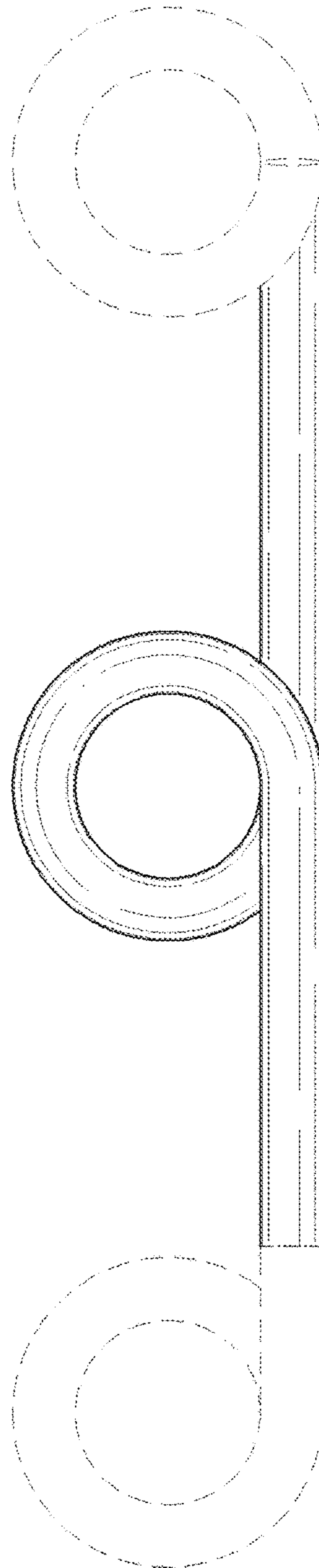


FIG. 6

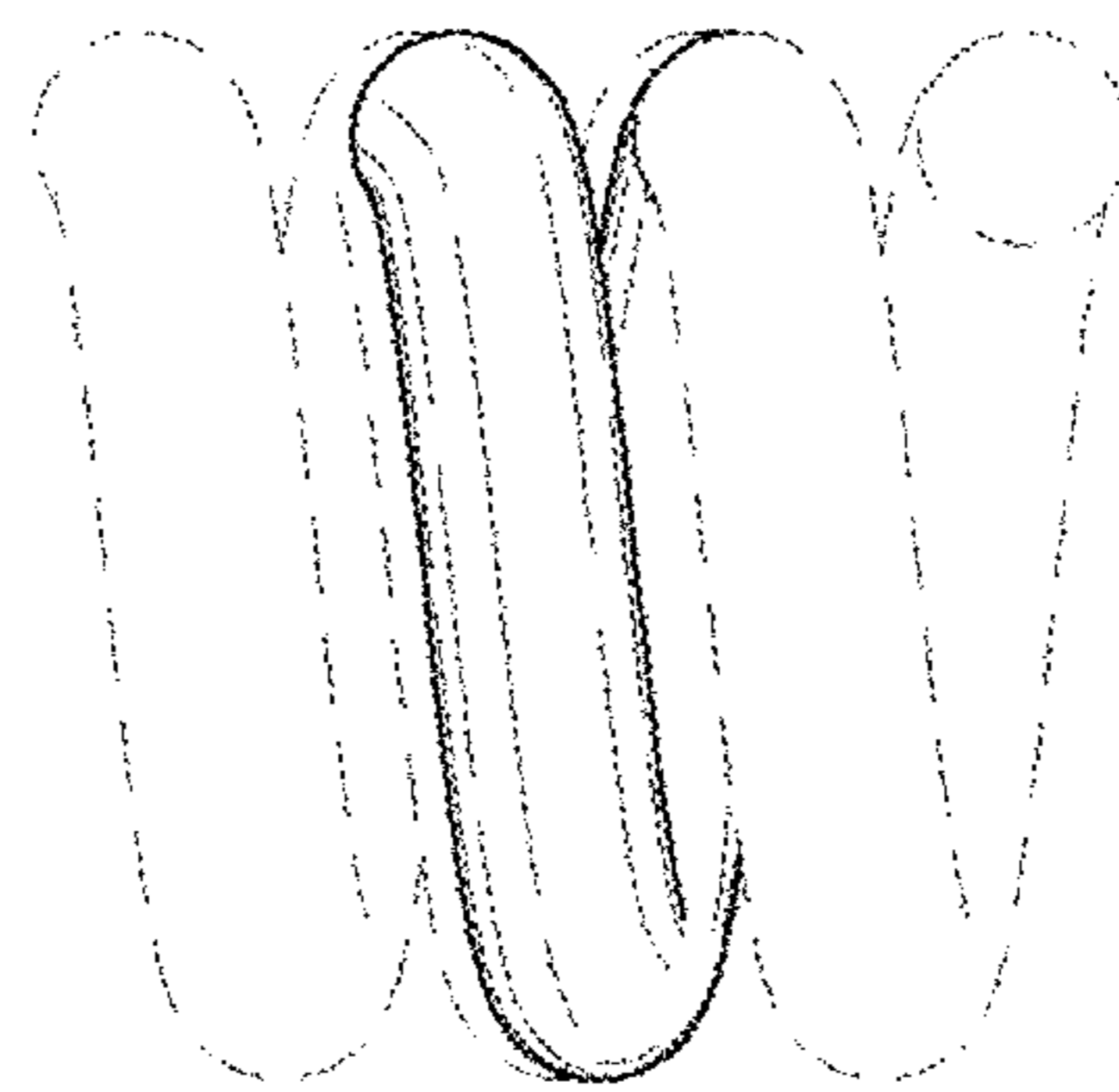


FIG. 7

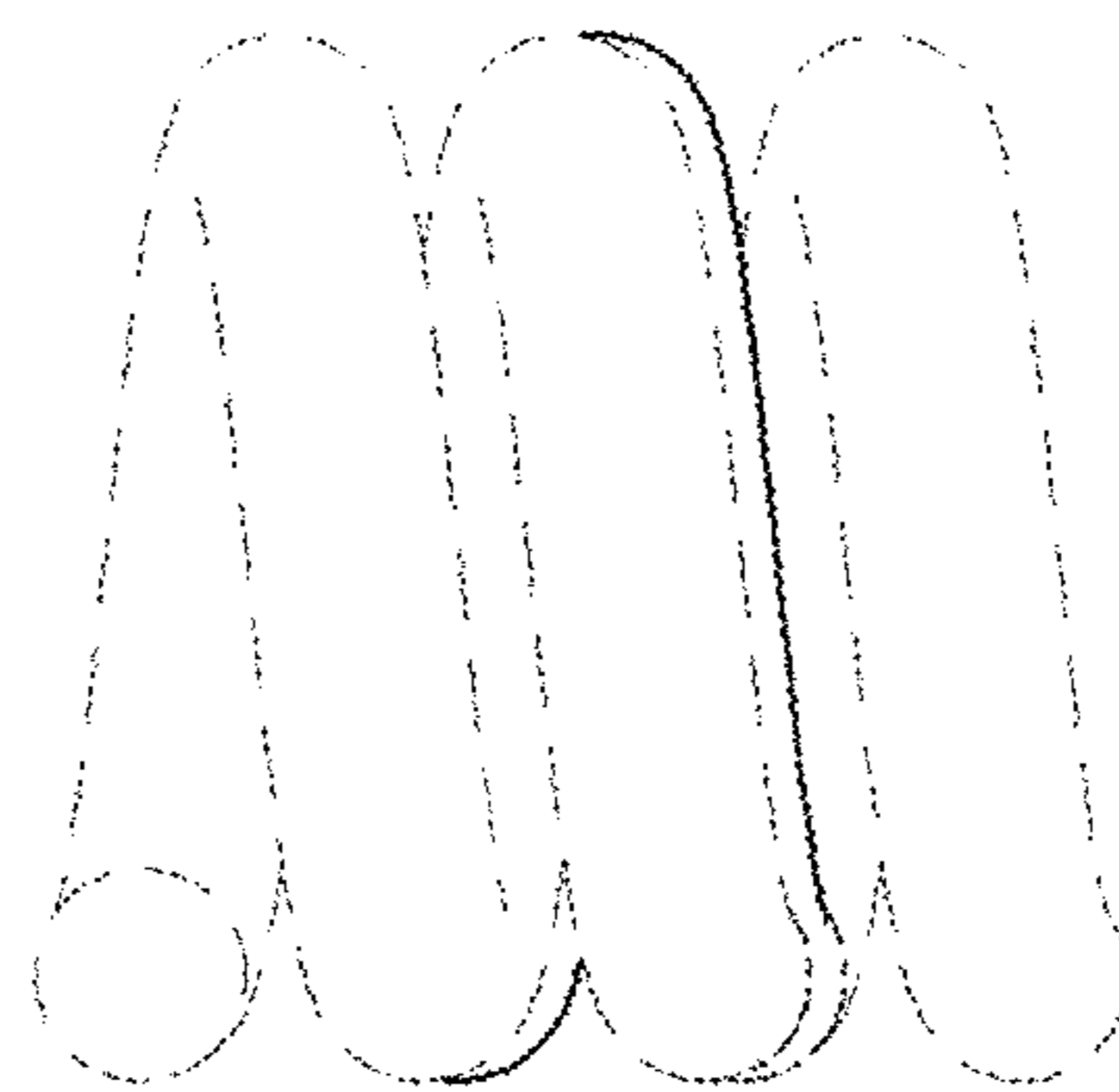


FIG. 8

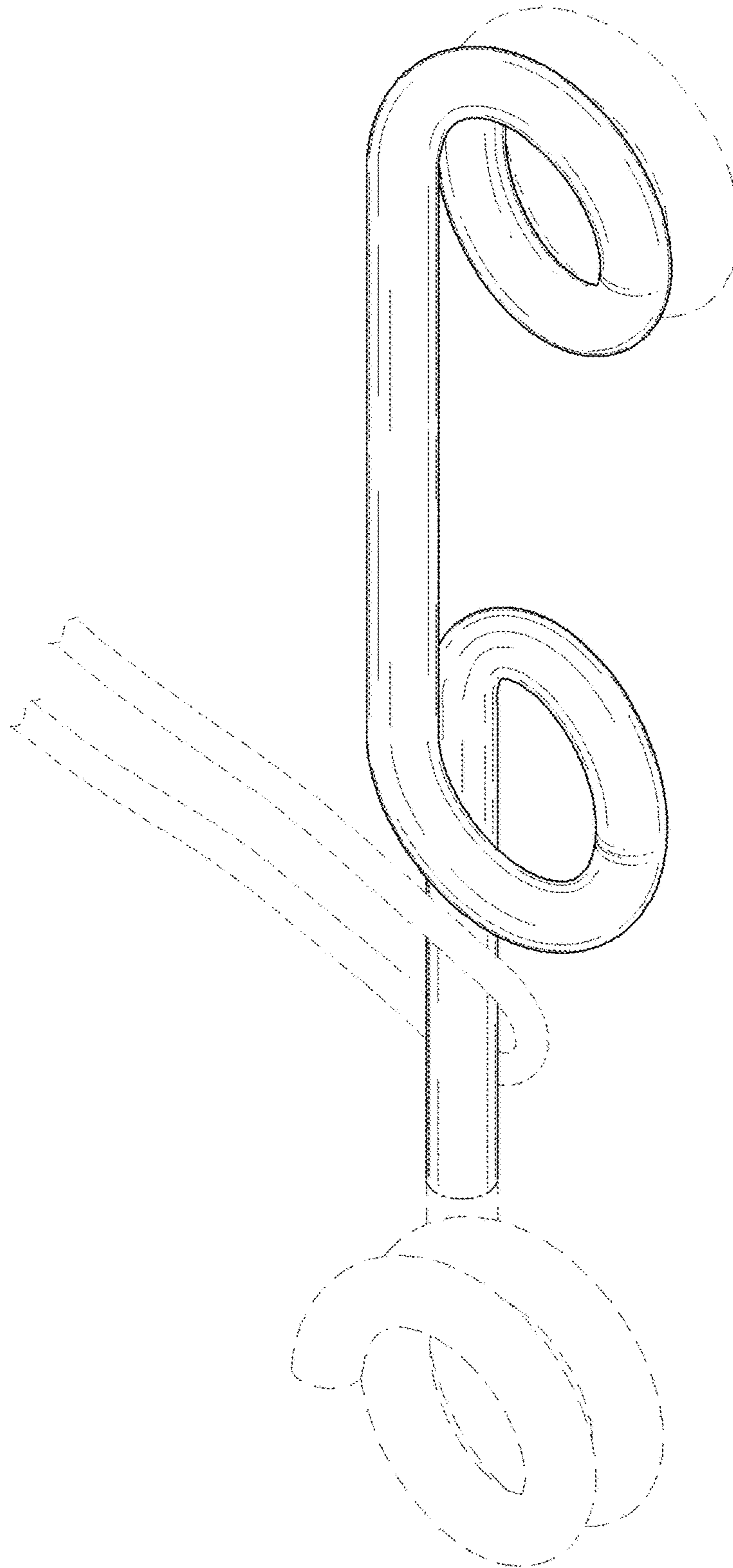


FIG. 9

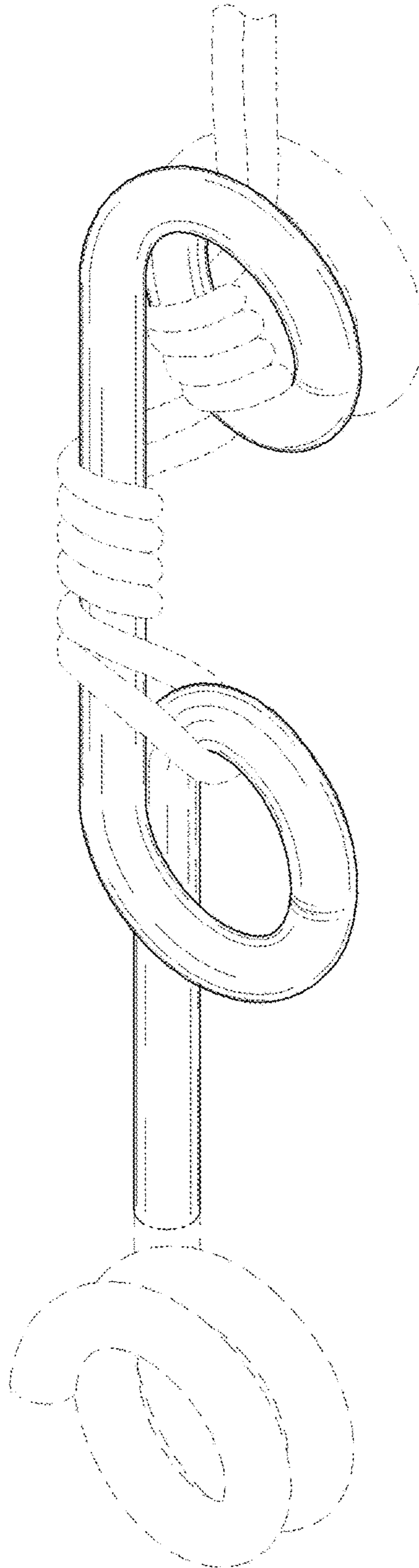


FIG. 10

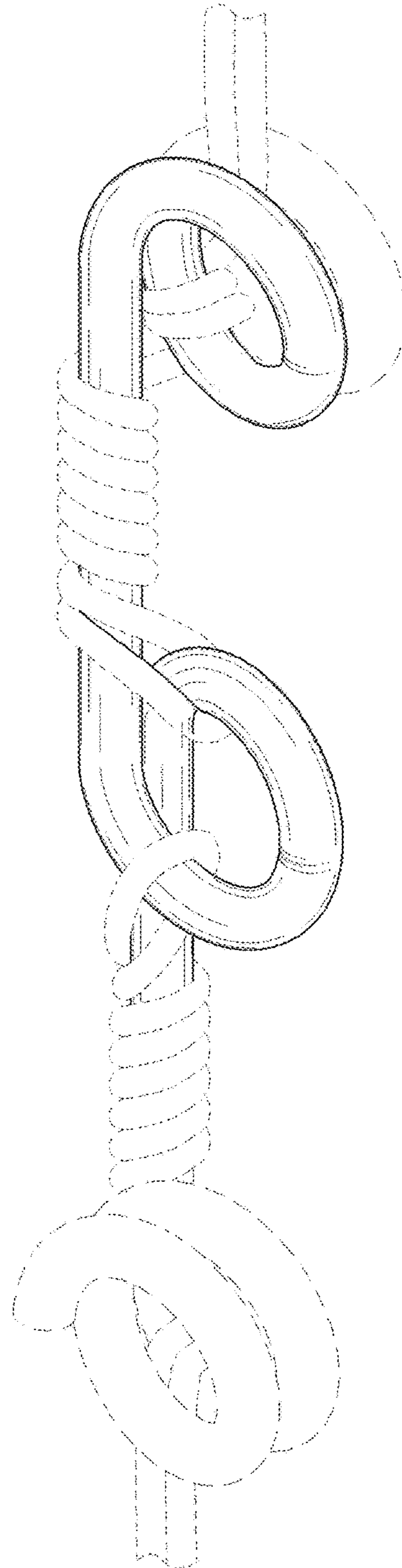


FIG. 11

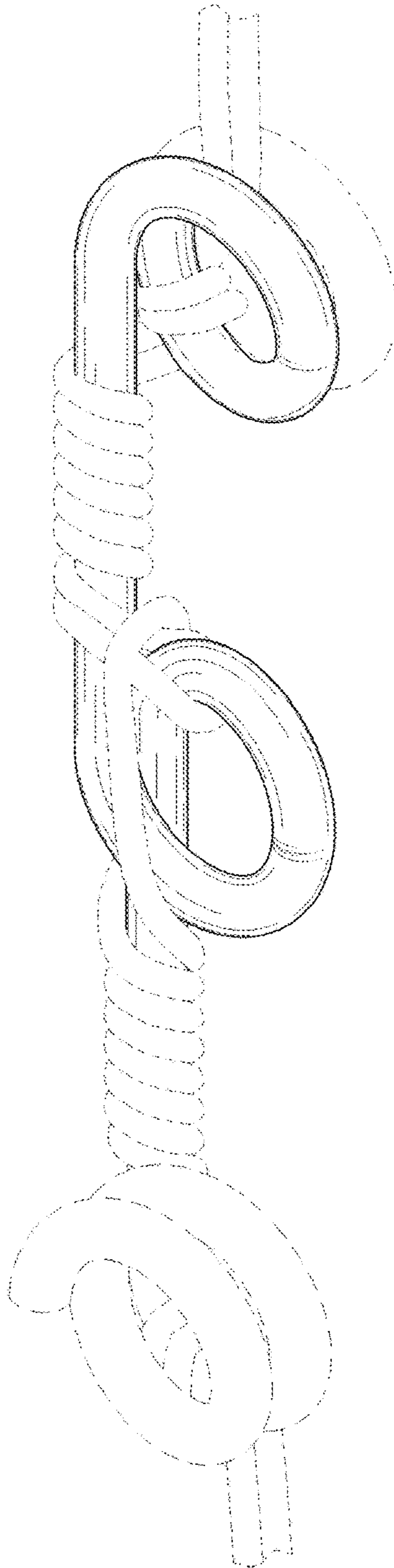


FIG. 12

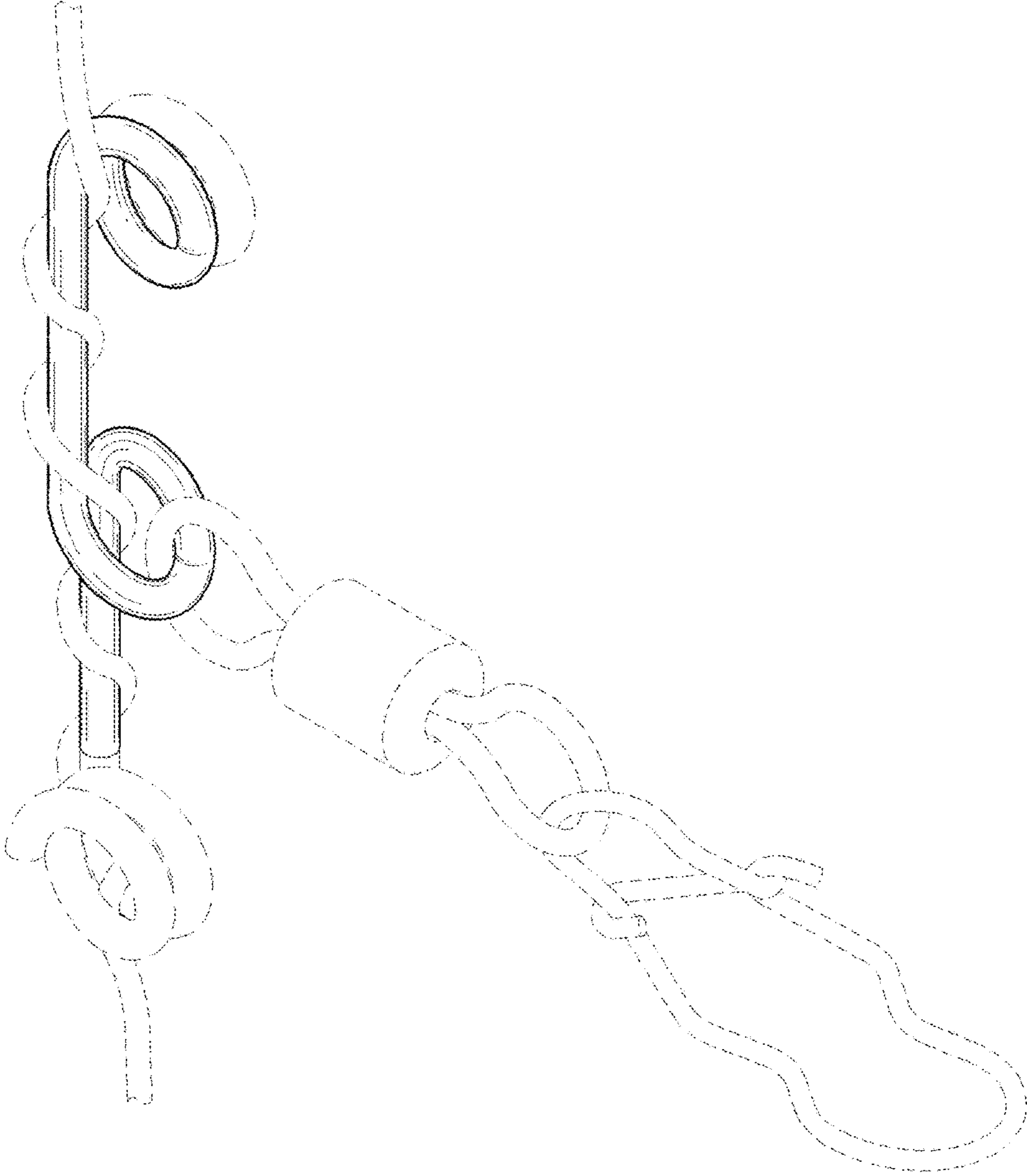


FIG. 13

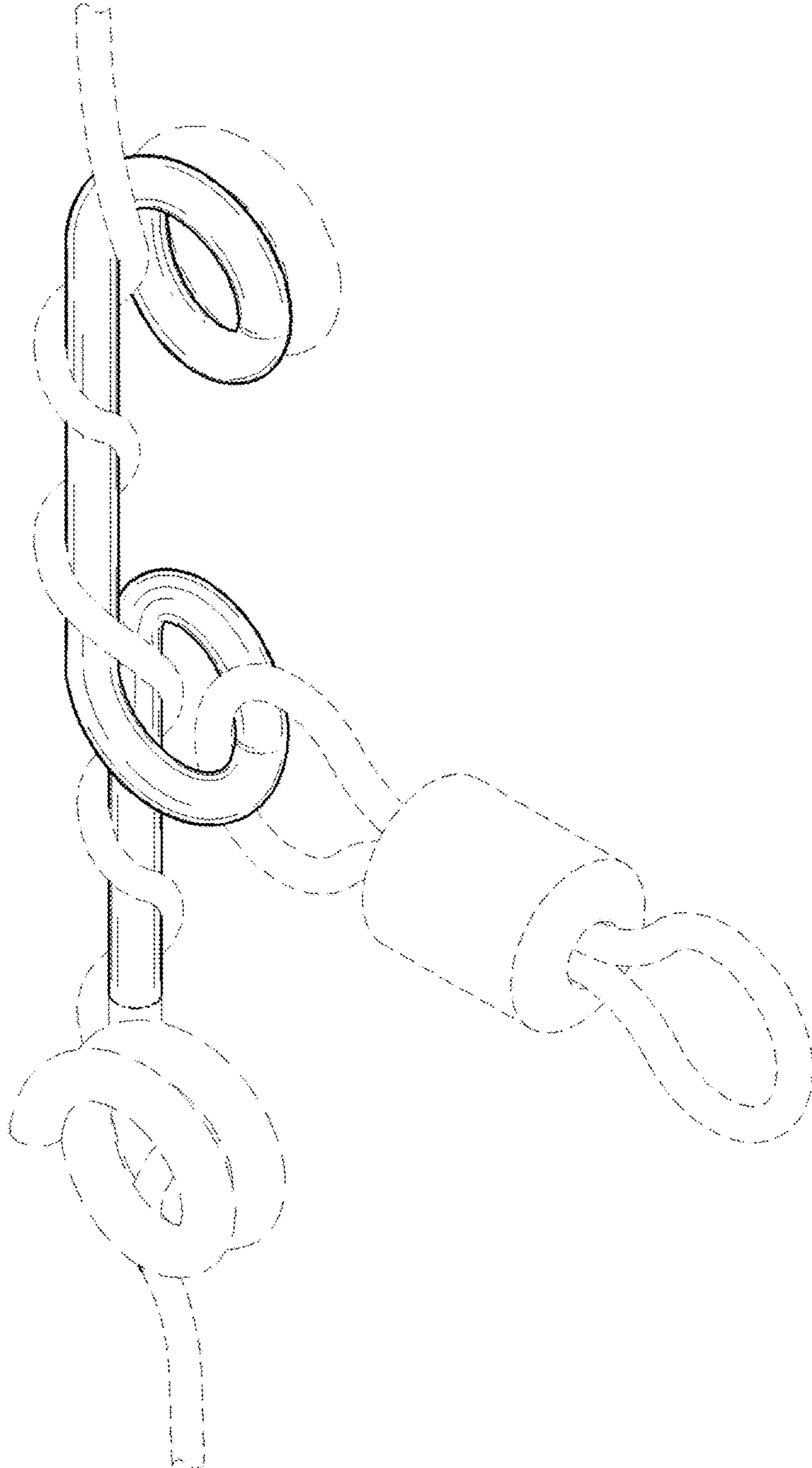


FIG. 14

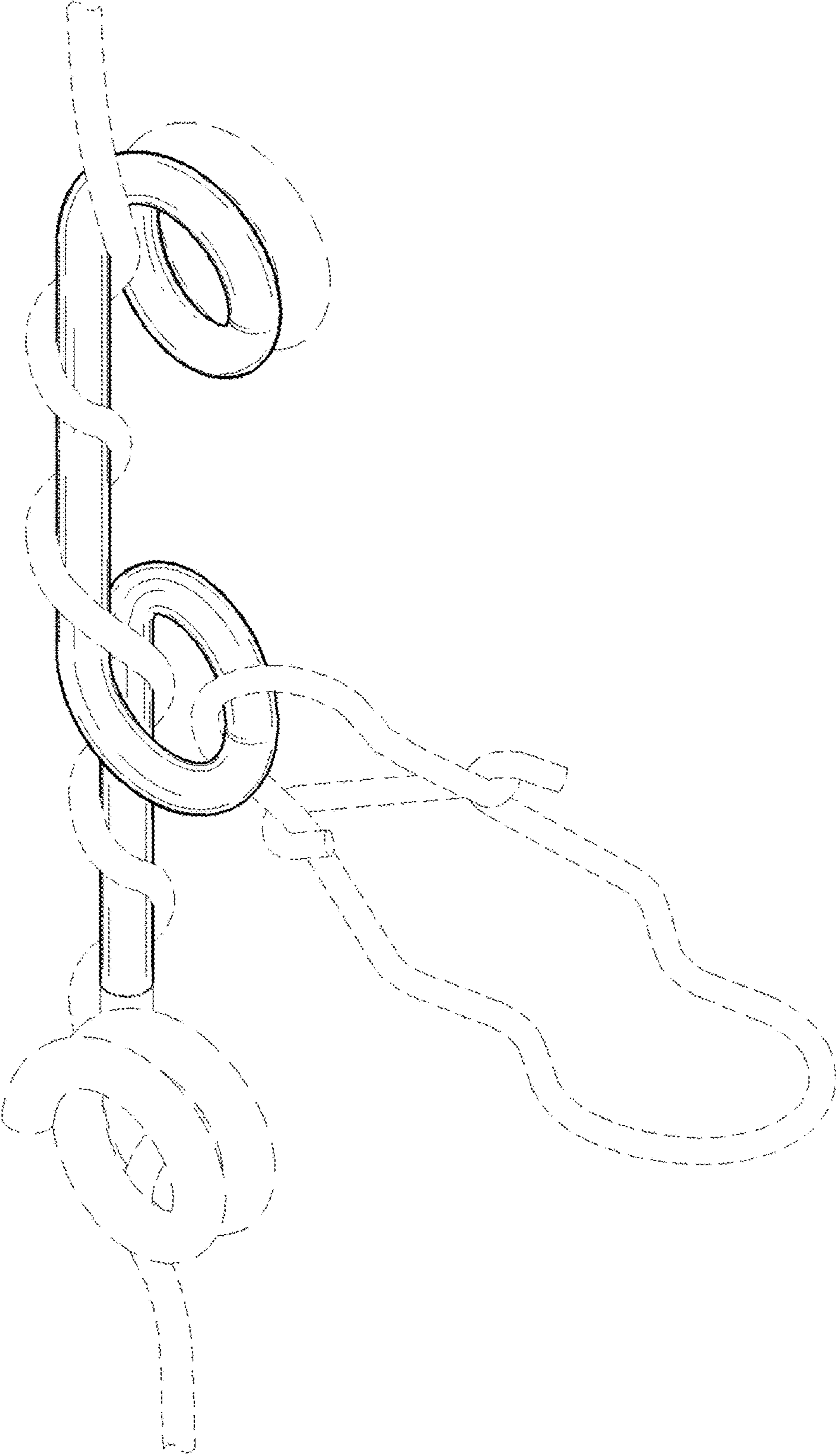


FIG. 15

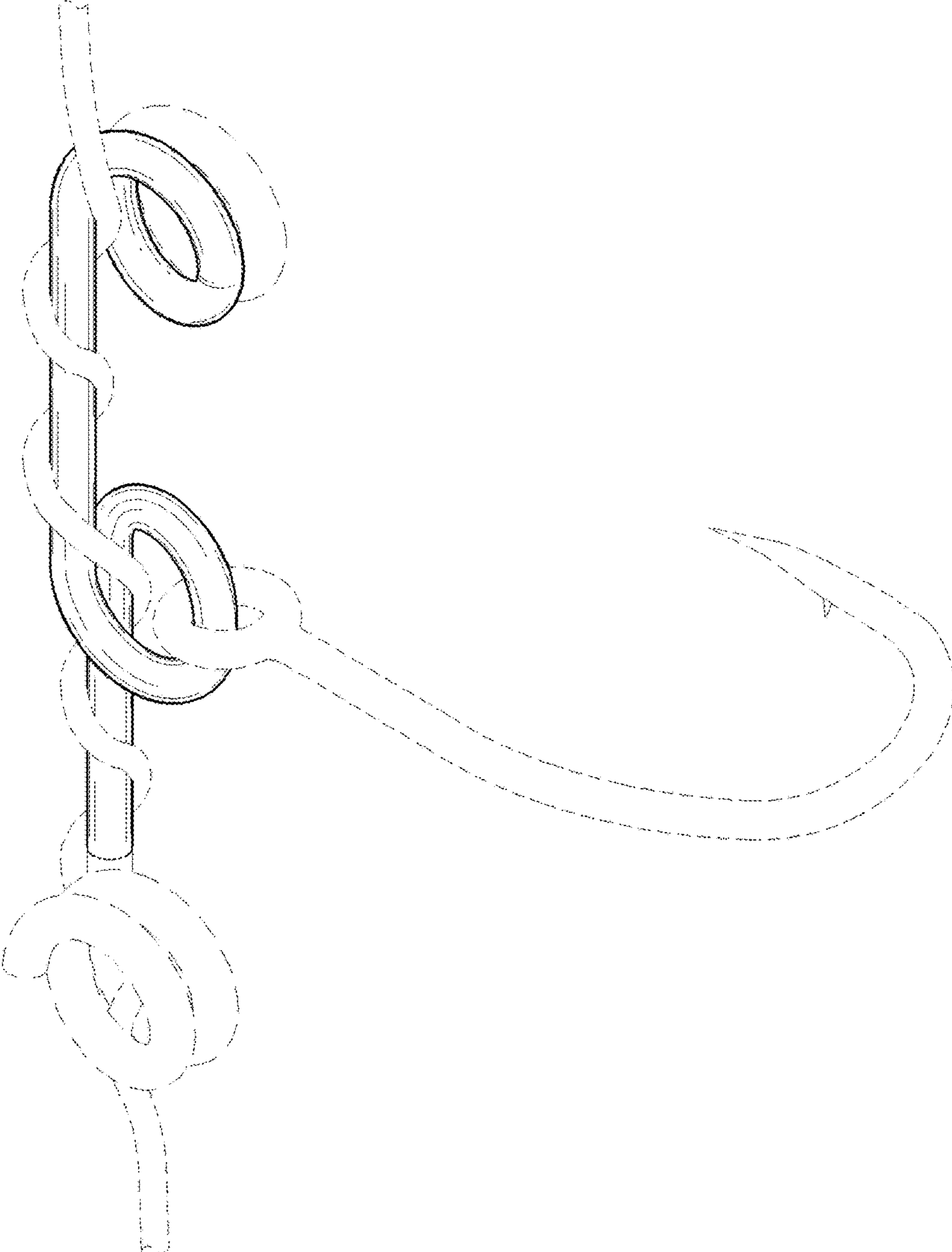


FIG. 16

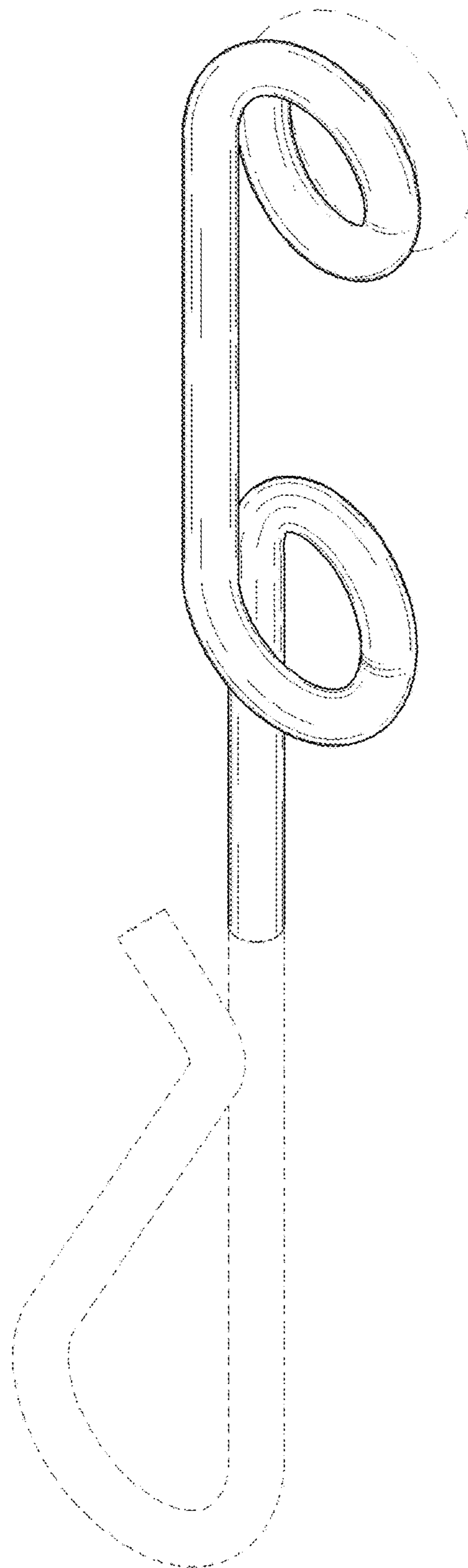


FIG. 17

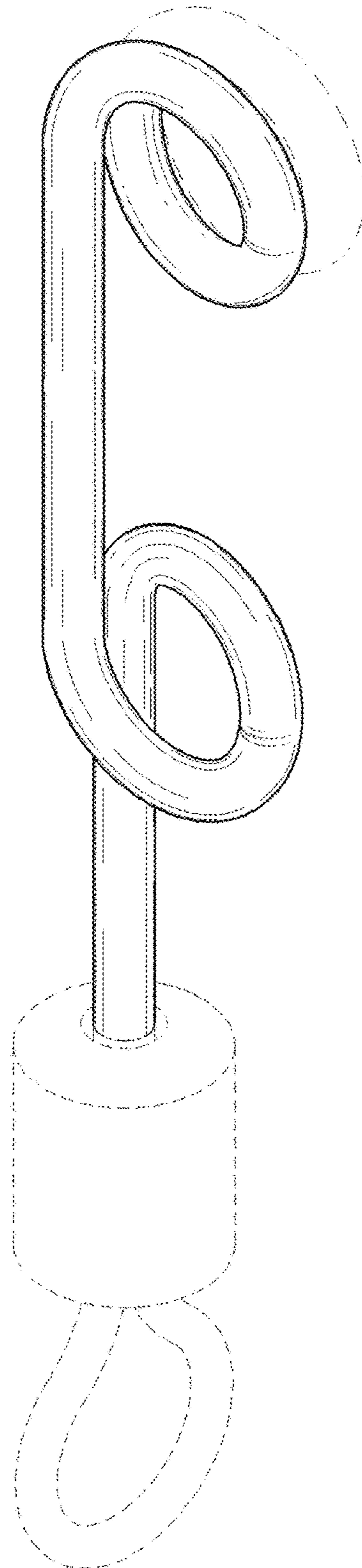


FIG. 18

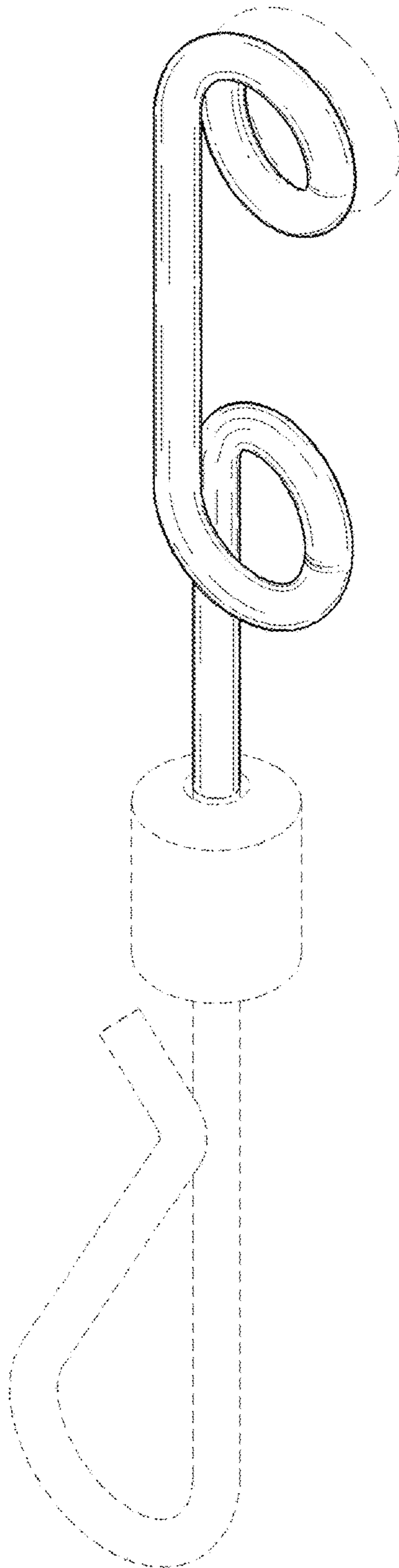


FIG. 19

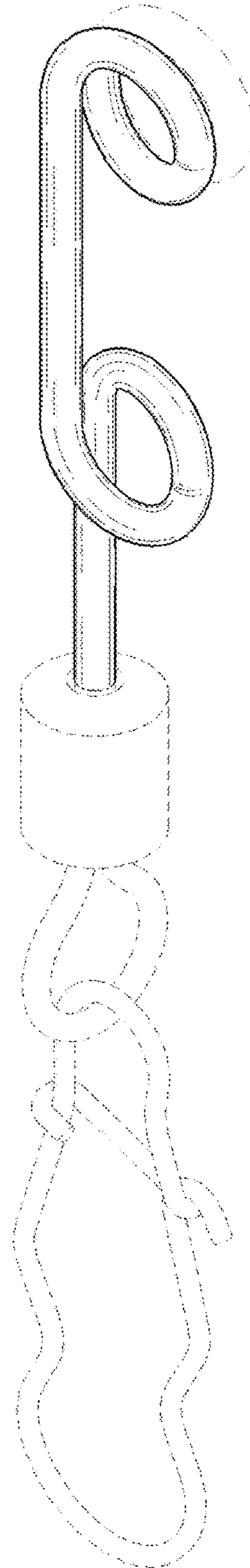


FIG. 20

