



US00D834137S

(12) **United States Design Patent** (10) **Patent No.:** **US D834,137 S**
Smith et al. (45) **Date of Patent:** **** Nov. 20, 2018**

(54) **INSECT TRAP CARTRIDGE** 4,709,503 A * 12/1987 McQueen A01M 1/14
43/114
(71) Applicant: **The Procter & Gamble Company,** 4,815,231 A * 3/1989 McQueen A01M 1/14
Cincinnati, OH (US) 43/114
D323,014 S * 1/1992 Demarest D22/122
(72) Inventors: **Christopher Lawrence Smith,** Liberty D780,285 S 2/2017 Lieberwirth et al.
Township, OH (US); **Mike Shuo Wang,** 2016/0000060 A1 1/2016 Schaefer et al.
Cincinnati, OH (US); **Jane Welling,** 2016/0262367 A1 9/2016 Sandford et al.
Cincinnati, OH (US) 2017/0035039 A1 2/2017 Sandford et al.
2017/0303523 A1 10/2017 Lazarchik et al.

(73) Assignee: **The Procter & Gamble Company,**
Cincinnati, OH (US)

(**) Term: **15 Years**

(21) Appl. No.: **29/603,764**

(22) Filed: **May 12, 2017**

(51) **LOC (11) Cl.** **22-06**

(52) **U.S. Cl.**
USPC **D22/122**

(58) **Field of Classification Search**
USPC D22/119-124; 43/107, 111-113, 121,
43/124, 131, 132.1; D23/366-367
CPC A01M 1/04
See application file for complete search history.

(56) **References Cited**

U.S. PATENT DOCUMENTS

2,307,163 A * 1/1943 Shea A01M 1/02
43/112
3,729,858 A * 5/1973 Bradshaw A01M 1/14
43/114
4,212,129 A * 7/1980 Shumate A01M 1/04
43/113
D282,390 S * 1/1986 Ford D22/119
4,709,502 A * 12/1987 Bierman A01M 1/04
43/112

OTHER PUBLICATIONS

U.S. Appl. No. 29/590,624, filed Jan. 12, 2017, Lieberwirth et al.
U.S. Appl. No. 15/960,648, filed Apr. 24, 2018, Schaefer et al.

* cited by examiner

Primary Examiner — Catherine R Oliver-Garcia

(74) *Attorney, Agent, or Firm* — Melissa K Krasovec

(57) **CLAIM**

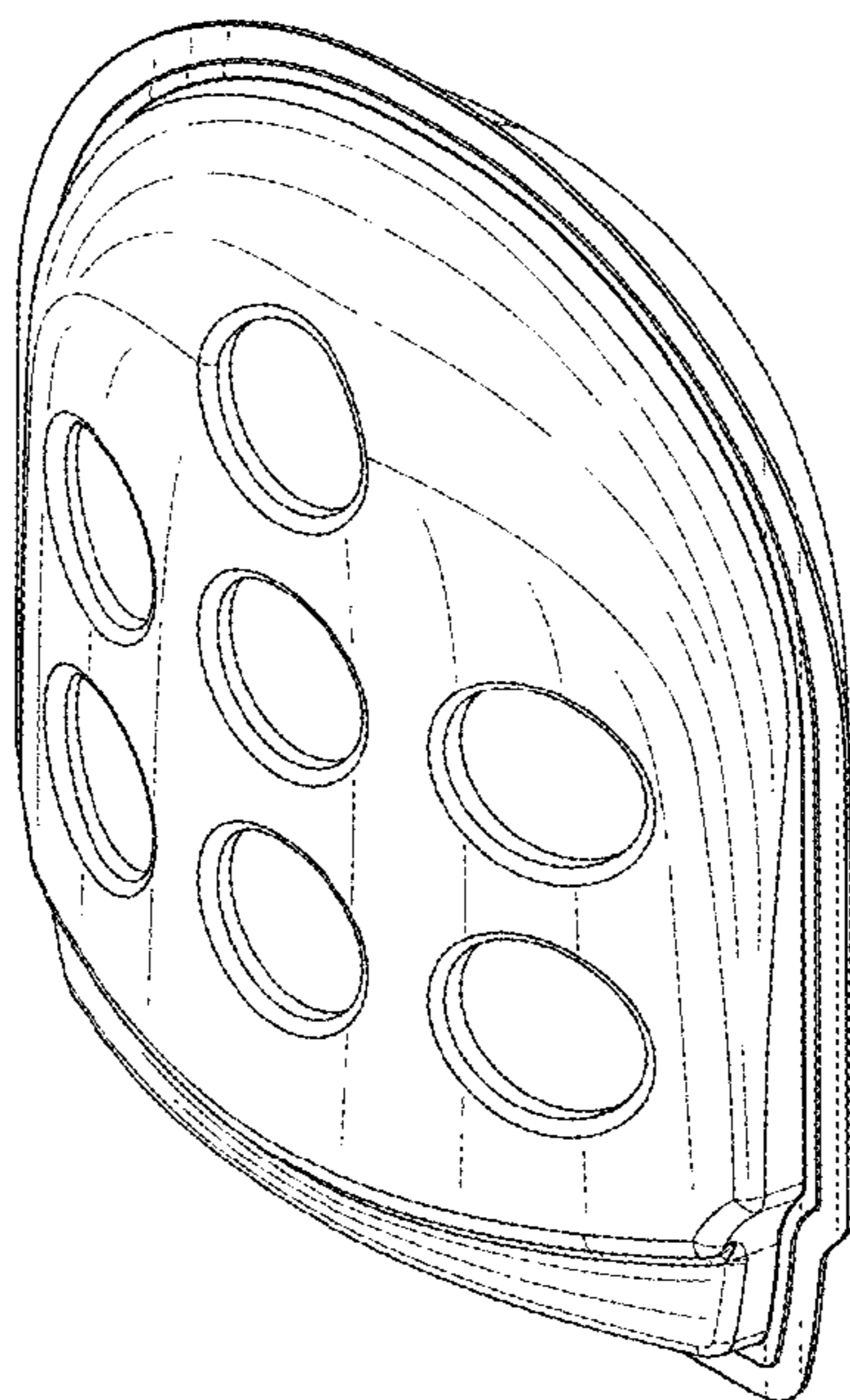
The ornamental design for an insect trap cartridge, as shown and described.

DESCRIPTION

FIG. 1 is a perspective view of an insect trap cartridge embodying our new design;
FIG. 2 is a front view thereof;
FIG. 3 is a right side view thereof;
FIG. 4 is a rear view thereof;
FIG. 5 is a left side view thereof;
FIG. 6 is a top view thereof; and,
FIG. 7 is bottom view thereof.

In various alternatives of the embodiments shown, the insect trap cartridge may be depicted, in whole or part, in a grey, white or silver color or combination thereof.

1 Claim, 2 Drawing Sheets



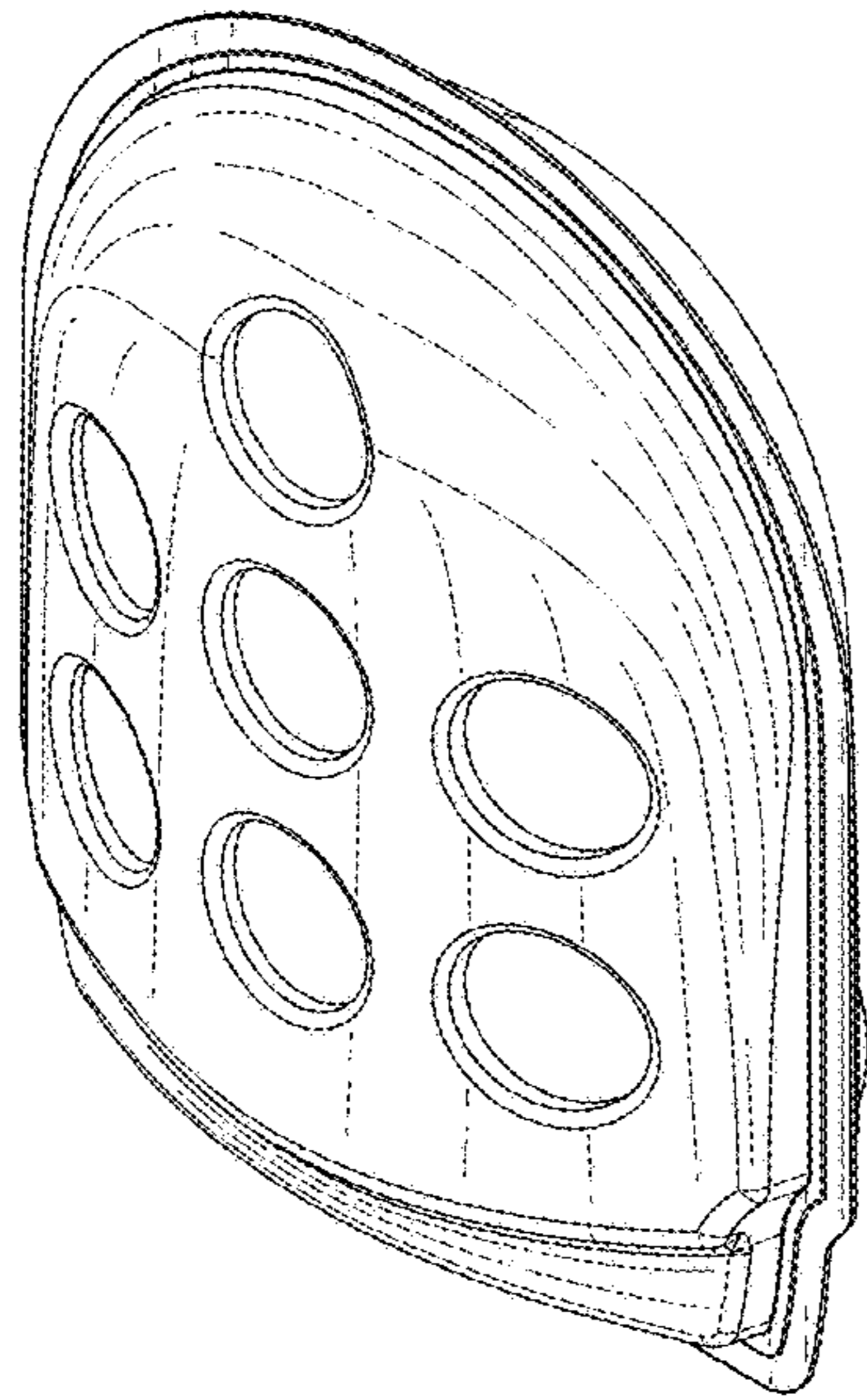


FIG. 1

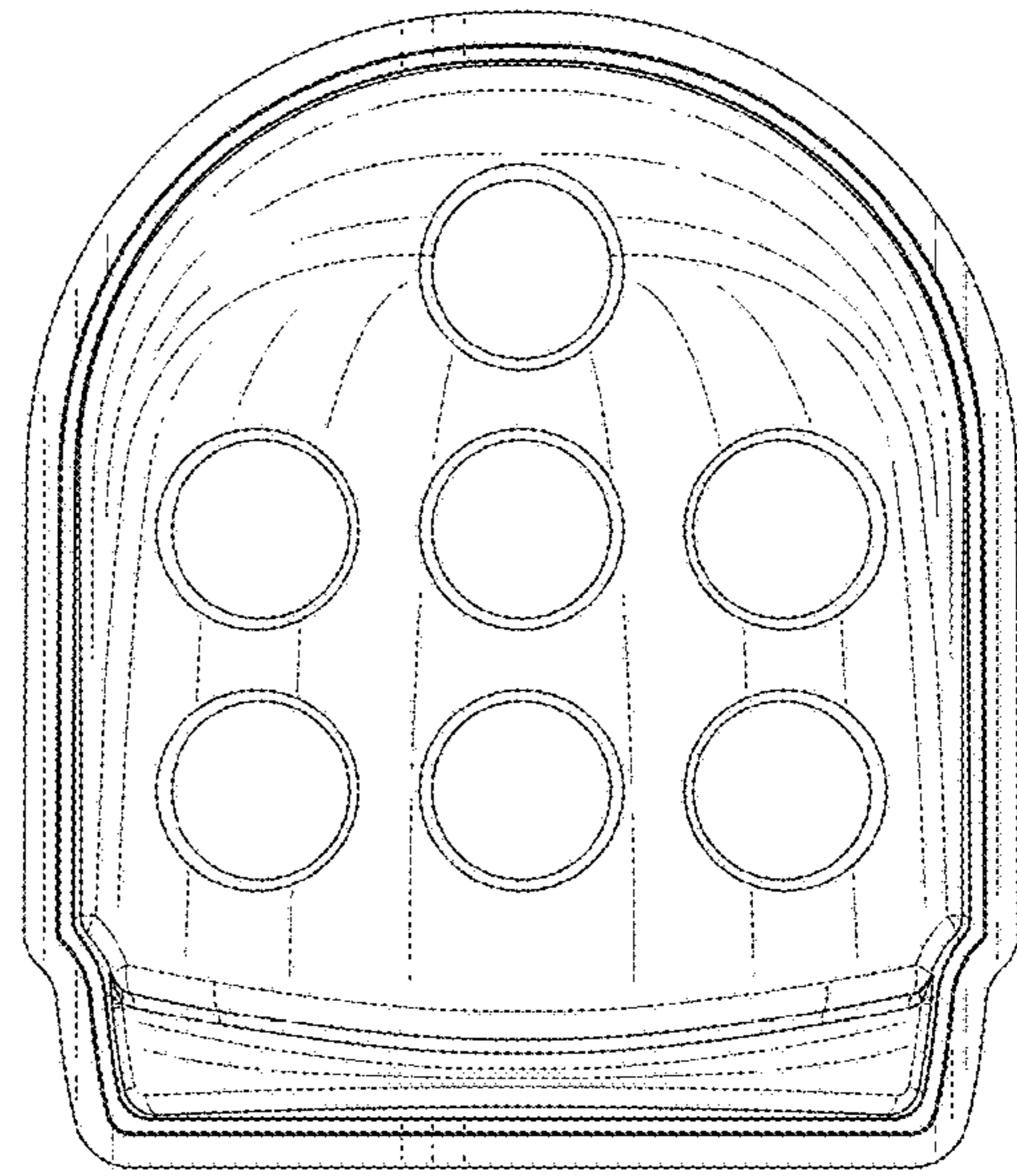


FIG. 2

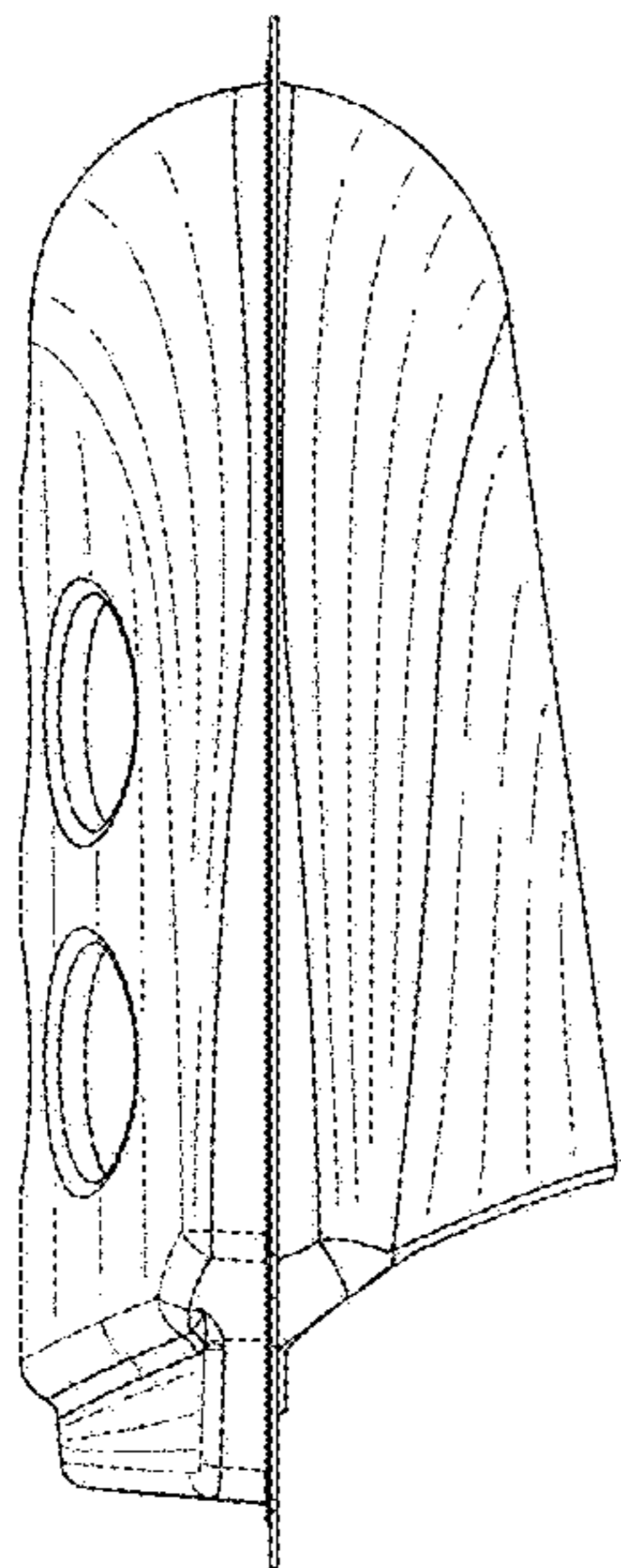


FIG. 3

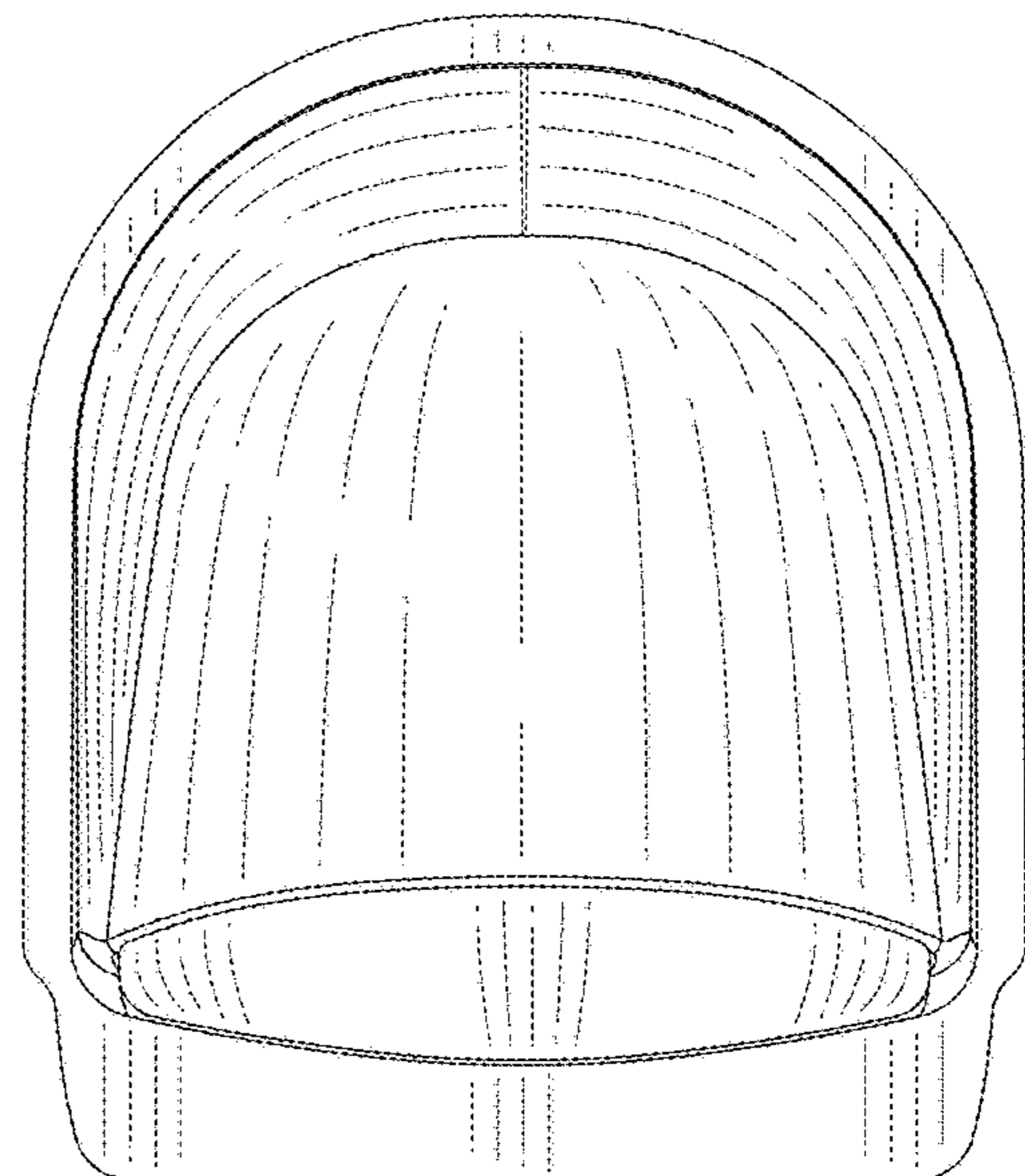


FIG. 4

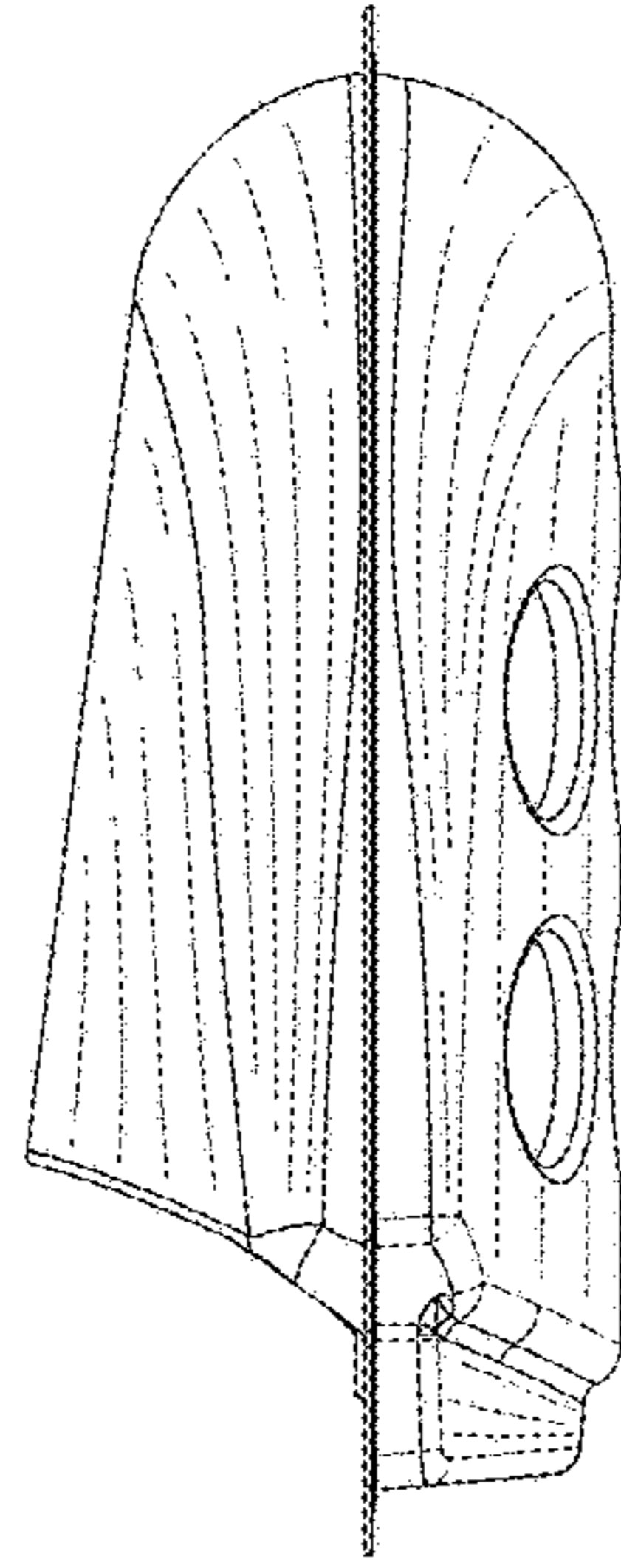


FIG. 5

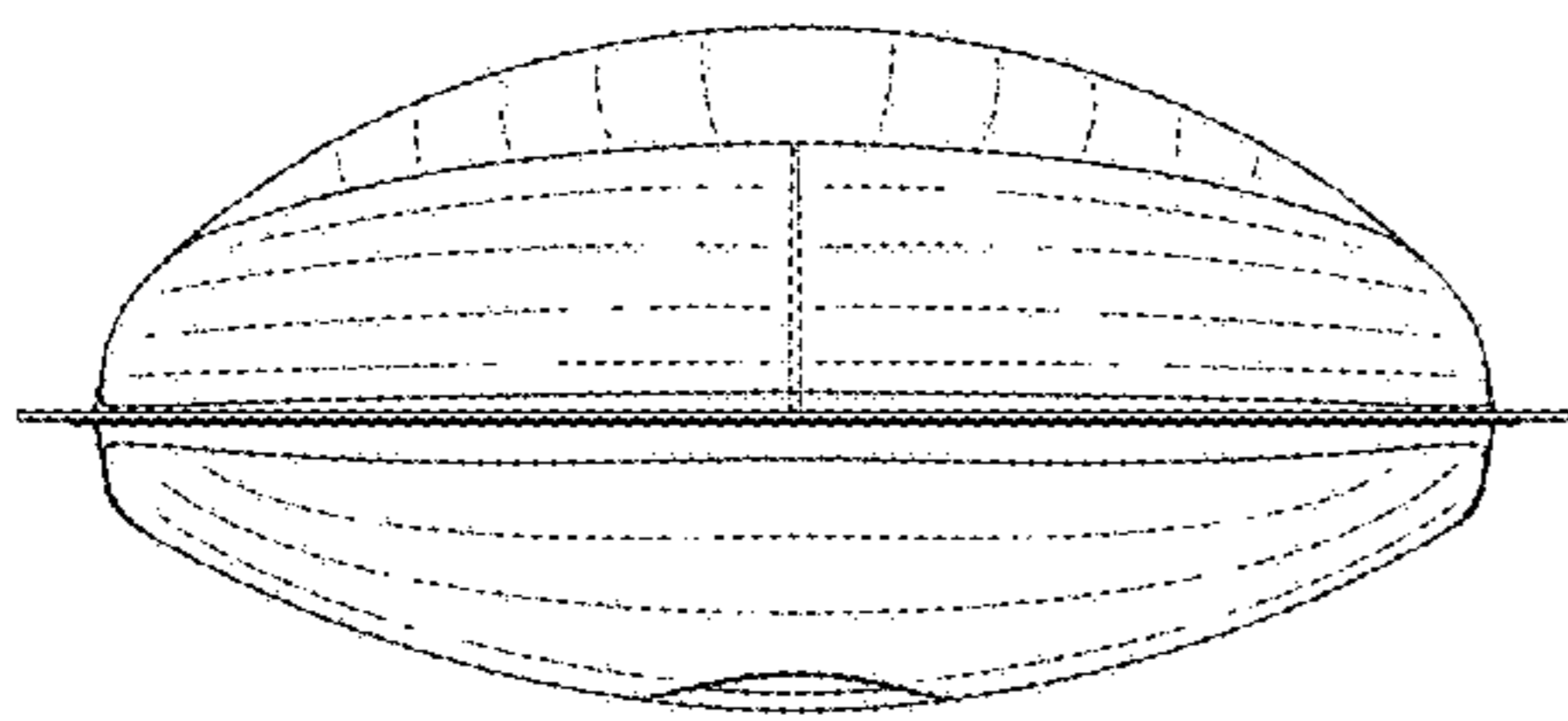


FIG. 6

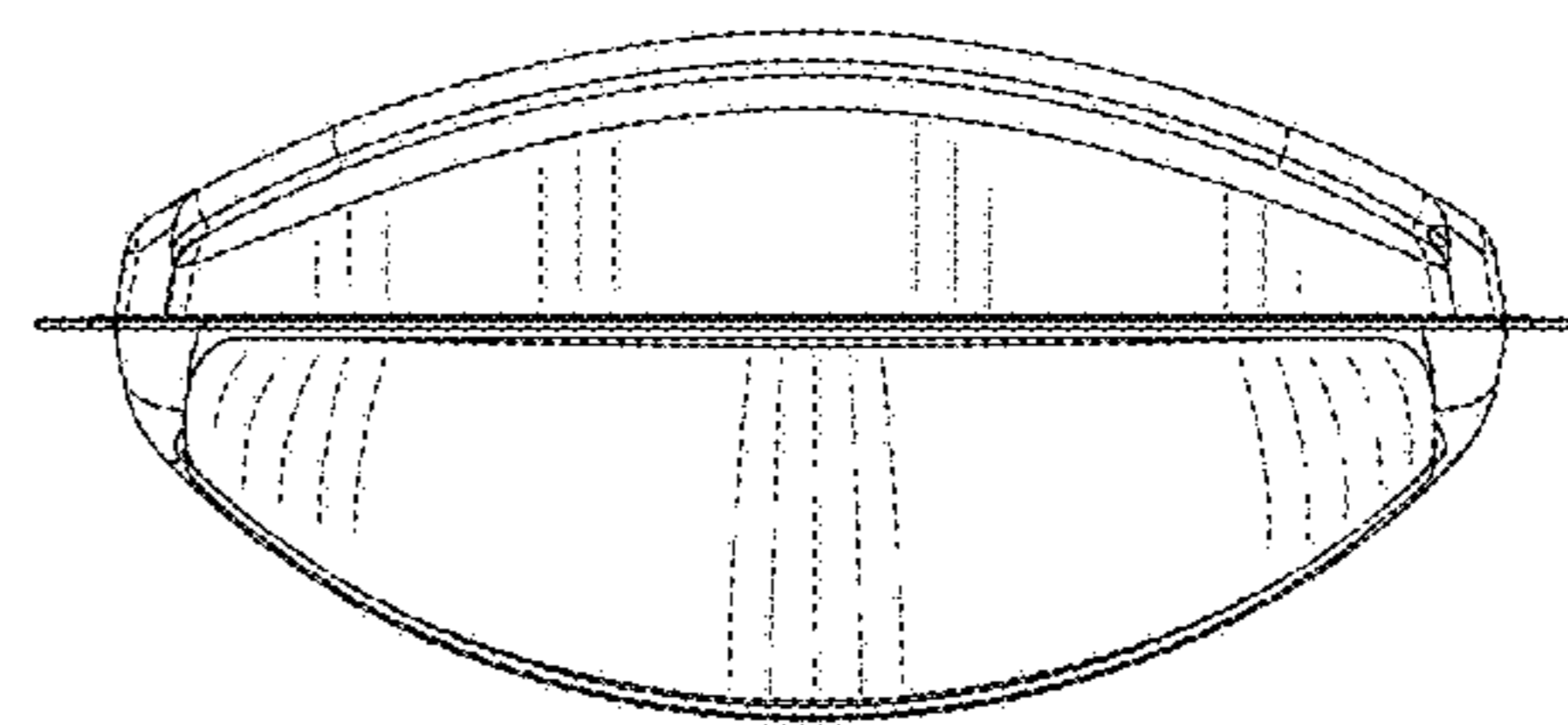


FIG. 7