



US00D834136S

(12) **United States Design Patent** (10) **Patent No.:** **US D834,136 S**
Smith et al. (45) **Date of Patent:** **** Nov. 20, 2018**

(54) **INSECT TRAP BASE**

FOREIGN PATENT DOCUMENTS

(71) Applicant: **The Procter & Gamble Company**,
Cincinnati, OH (US)

WO WO 2016/115107 A1 7/2016
WO WO 2018/013081 1/2018

(72) Inventors: **Christopher Lawrence Smith**, Liberty
Township, OH (US); **Mike Shuo Wang**,
Cincinnati, OH (US); **Joaquin Antonio
Crespo**, Mason, OH (US); **Andrea
Pedrotti**, Trento (IT); **Walter Sordo**,
Trento (IT); **Danilo Rossi**, Trento (IT)

OTHER PUBLICATIONS

U.S. Appl. No. 29/590,625, filed Jan. 12, 2017, Lieberwirth et al.
U.S. Appl. No. 15/960,648, filed Apr. 24, 2018, Schaefer et al.

Primary Examiner — Catherine R Oliver-Garcia
(74) *Attorney, Agent, or Firm* — Melissa K Krasovec

(73) Assignee: **The Procter & Gamble Company**,
Cincinnati, OH (US)

(57) **CLAIM**

The ornamental design for an insect trap base, as shown and
described.

(**) Term: **15 Years**

(21) Appl. No.: **29/595,639**

DESCRIPTION

(22) Filed: **Mar. 1, 2017**

(51) **LOC (11) Cl.** **22-06**

(52) **U.S. Cl.**
USPC **D22/122**

(58) **Field of Classification Search**
USPC D22/119–124; 43/107, 111–113, 121,
43/124, 131, 132.1; D23/366–367
CPC A01M 1/02; A01M 1/04; A01M 1/14
See application file for complete search history.

FIG. 1 is a perspective view of an insect trap base embody-
ing our new design;
FIG. 2 is a front view thereof;
FIG. 3 is a right side view thereof;
FIG. 4 is a rear view thereof;
FIG. 5 is a left side view thereof;
FIG. 6 is a top view thereof;
FIG. 7 is bottom view thereof;
FIG. 8 is a perspective view of a second embodiment of an
insect trap base embodying our new design;
FIG. 9 is a front view thereof;
FIG. 10 is a right side view thereof;
FIG. 11 is a rear view thereof;
FIG. 12 is a left side view thereof;
FIG. 13 is a top view thereof; and,
FIG. 14 is bottom view thereof.

In the drawings, the broken lines depict environmental
subject matter only that forms no part of the claimed design.
In various alternatives of the embodiments shown, the insect
trap base may be depicted, in whole or part, in a grey, white
or silver color or combination thereof.

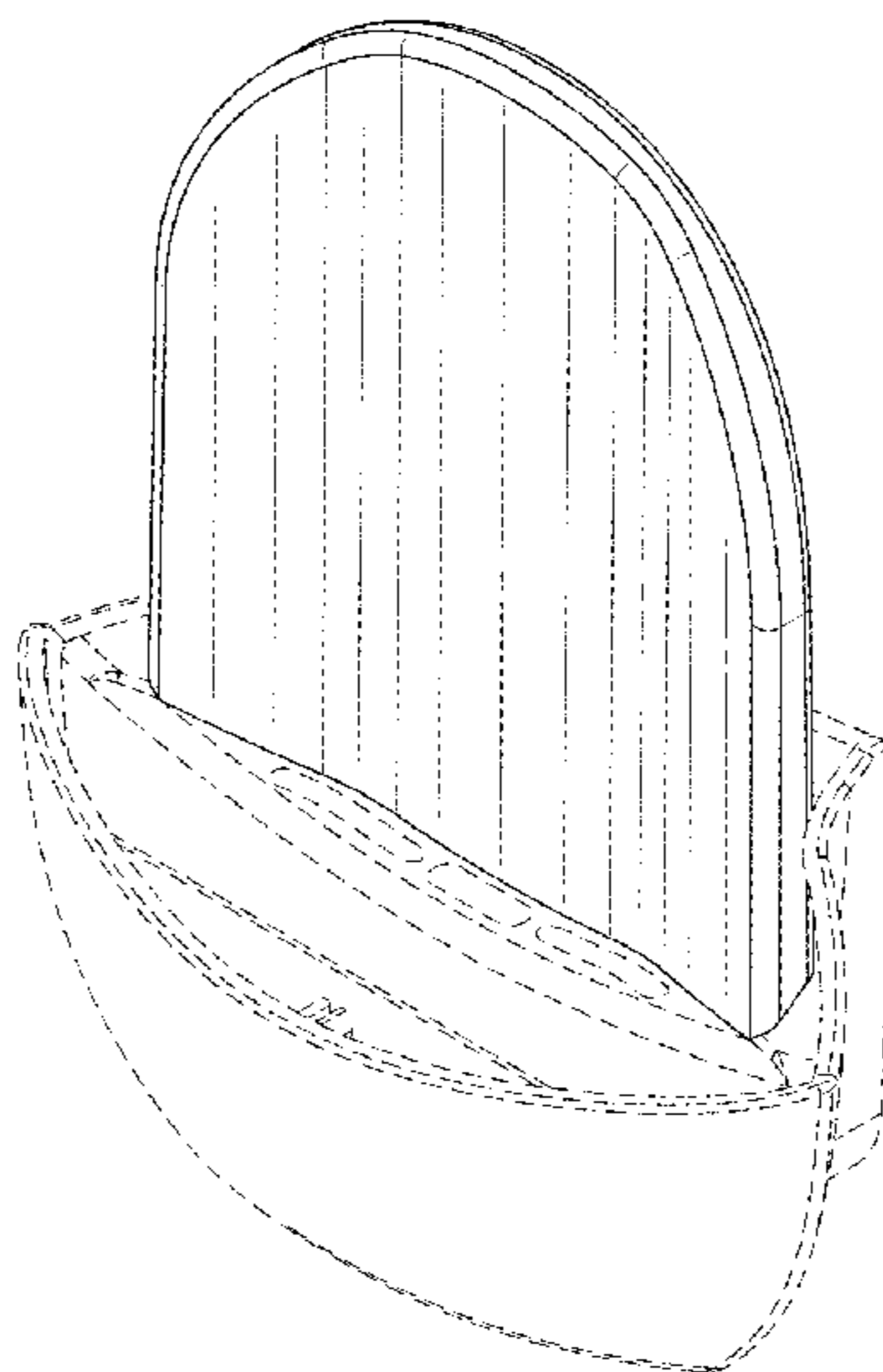
(56) **References Cited**

U.S. PATENT DOCUMENTS

2,307,163	A *	1/1943	Shea	A01M 1/02 43/112
3,729,858	A *	5/1973	Bradshaw	A01M 1/14 43/114
4,212,129	A *	7/1980	Shumate	A01M 1/04 43/113
D282,390	S *	1/1986	Ford	D22/119
4,709,502	A *	12/1987	Bierman	A01M 1/04 43/112

(Continued)

1 Claim, 8 Drawing Sheets



(56)

References Cited

U.S. PATENT DOCUMENTS

4,709,503 A * 12/1987 McQueen A01M 1/14
43/114
4,815,231 A * 3/1989 McQueen A01M 1/14
43/114
D323,014 S * 1/1992 Demarest D22/122
D780,284 S 2/2017 Lieberwirth et al.
D780,285 S 2/2017 Lieberwirth et al.
2016/0000060 A1 1/2016 Schaefer et al.
2016/0262367 A1 9/2016 Sandford et al.
2017/0035039 A1 2/2017 Sandford et al.
2017/0303523 A1 10/2017 Lazarchik et al.

* cited by examiner

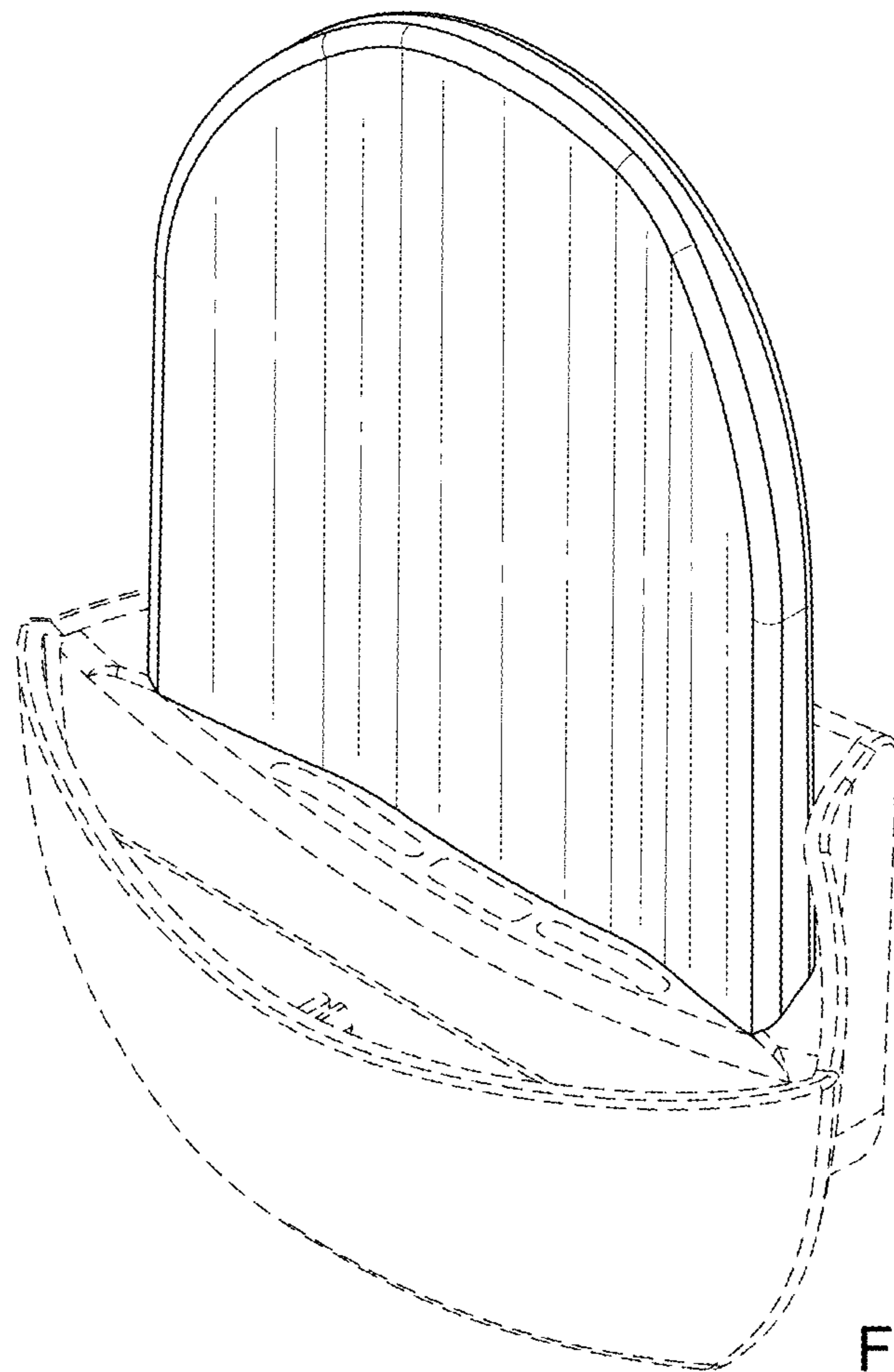


FIG. 1

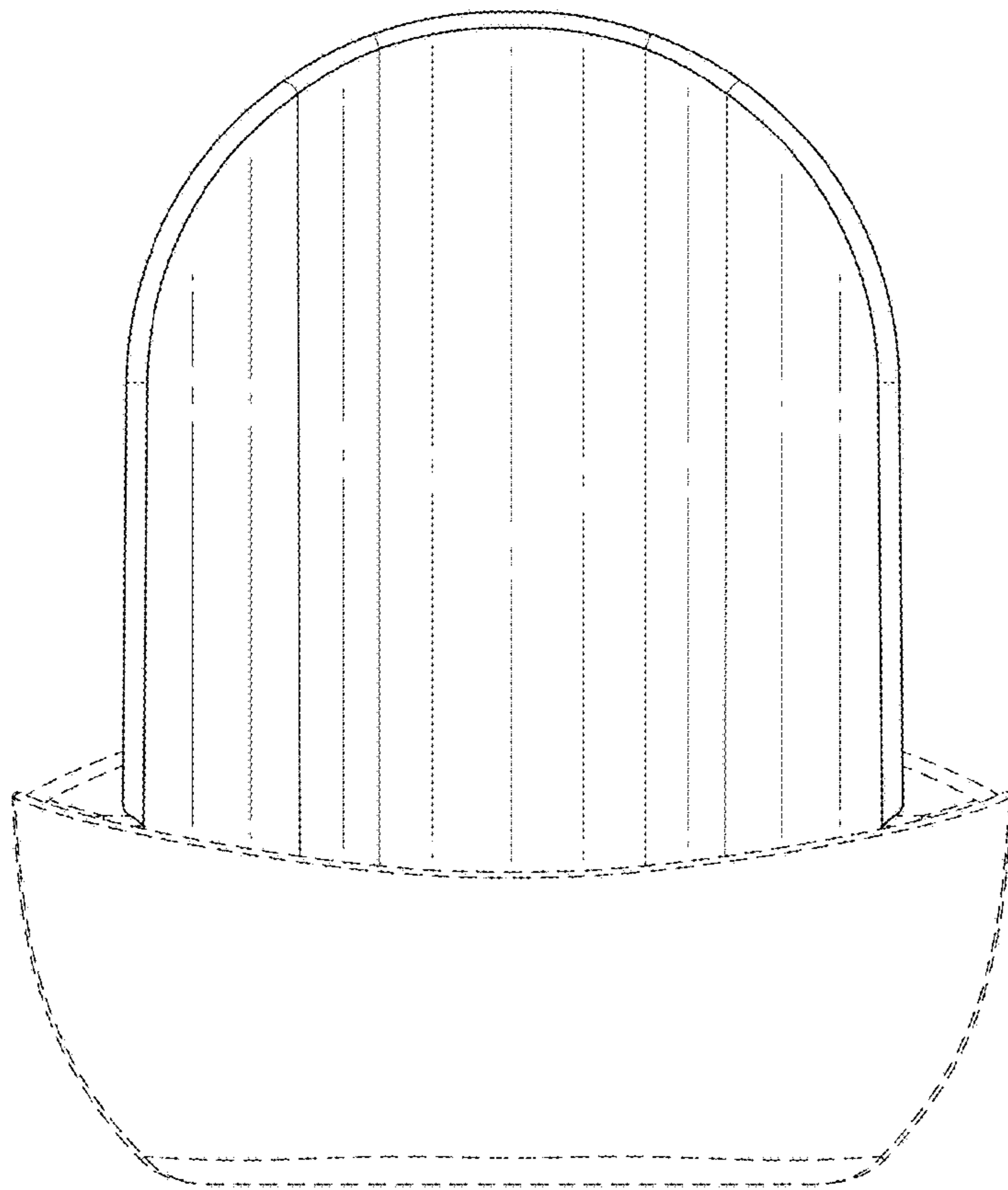


FIG. 2

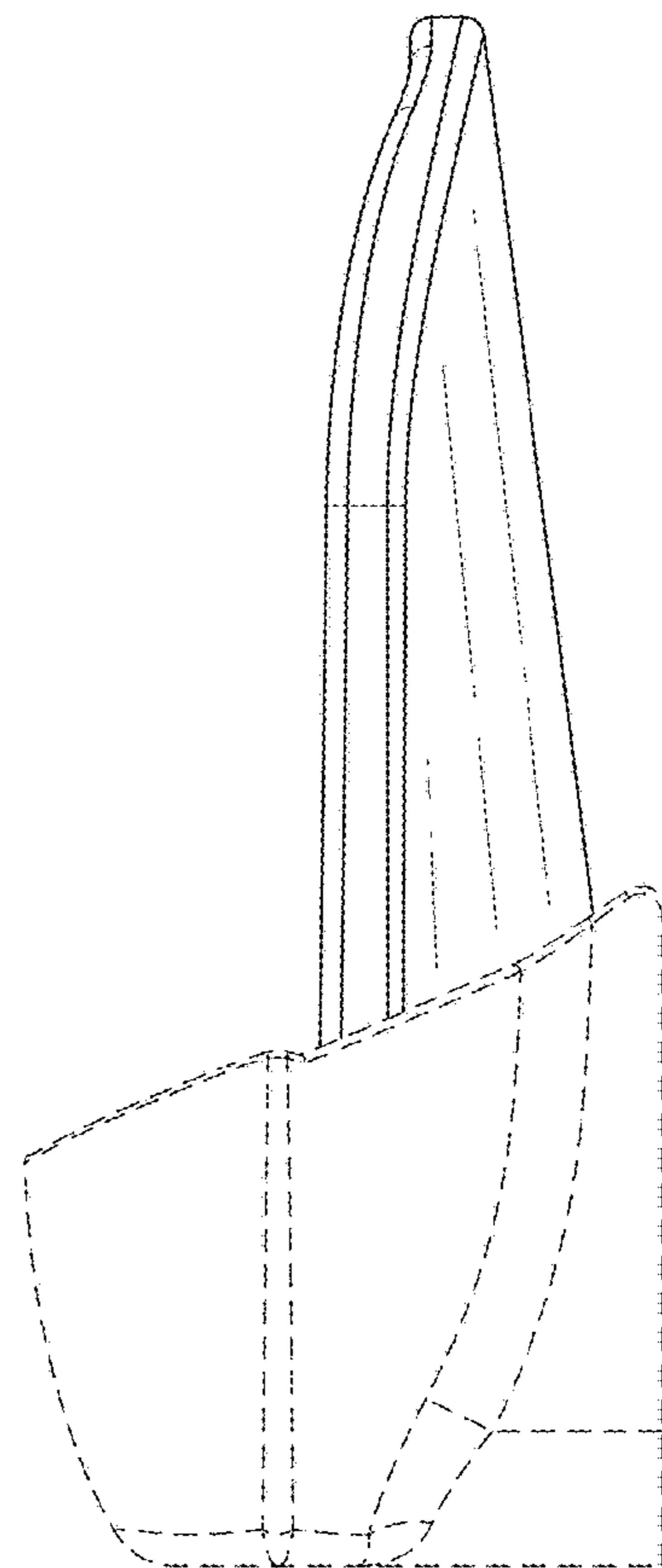


FIG. 3

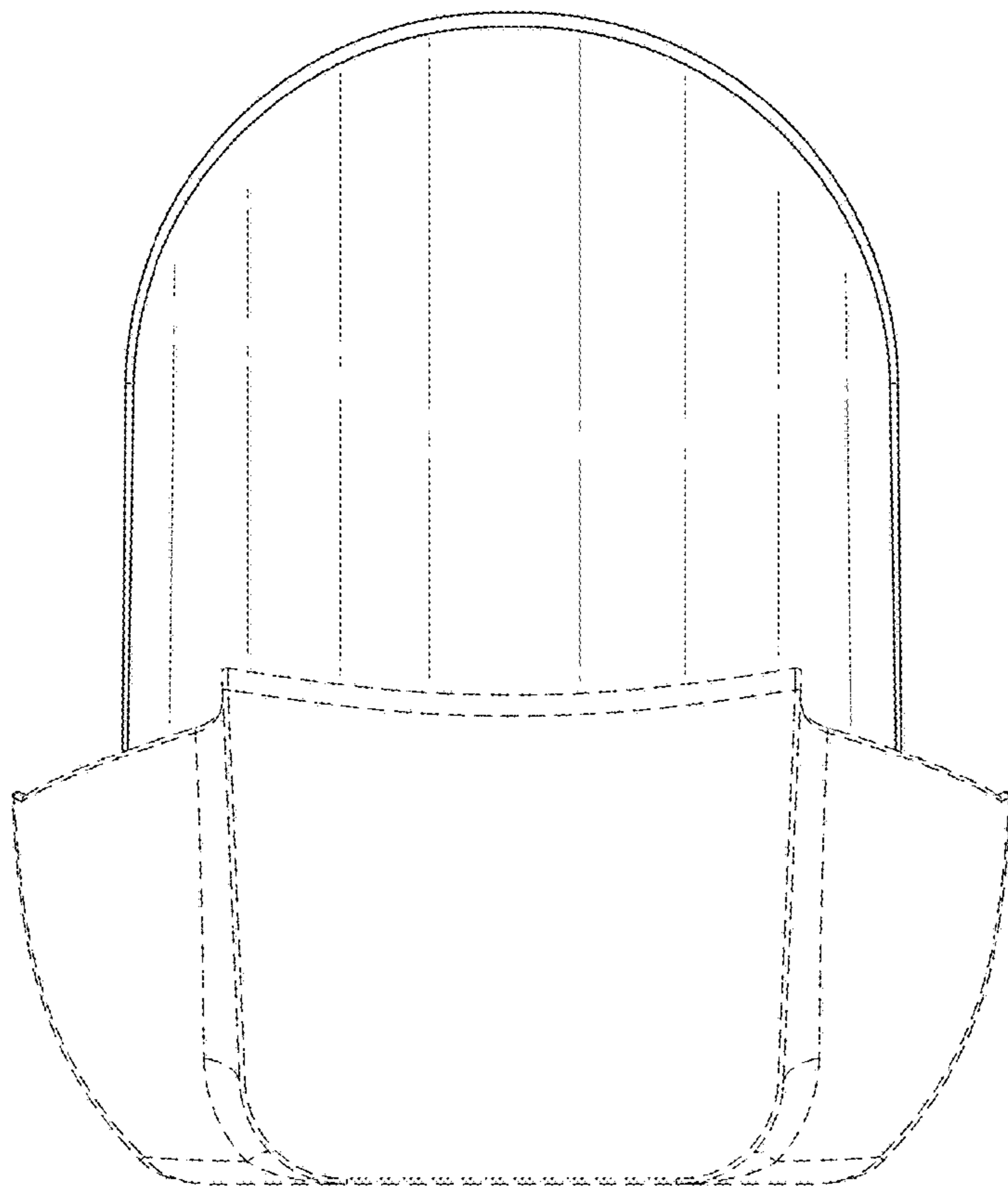


FIG. 4

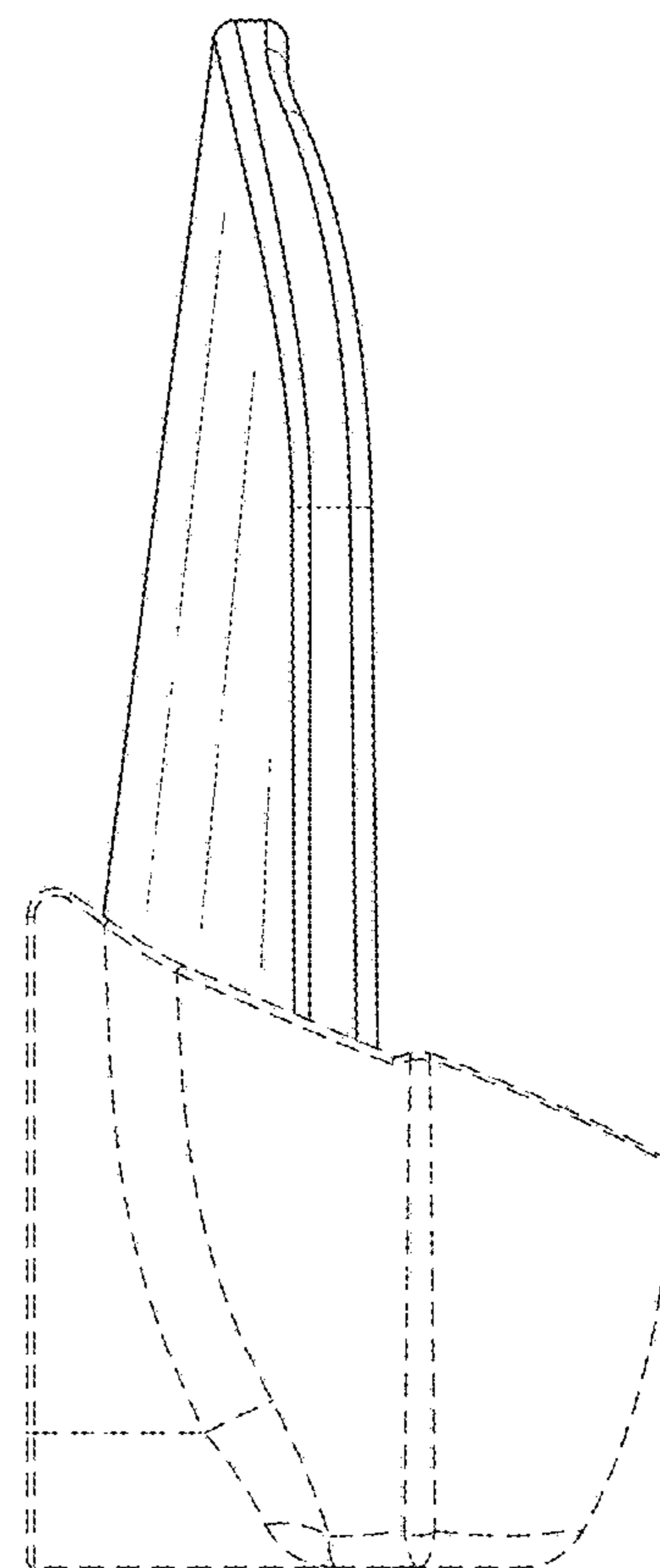


FIG. 5

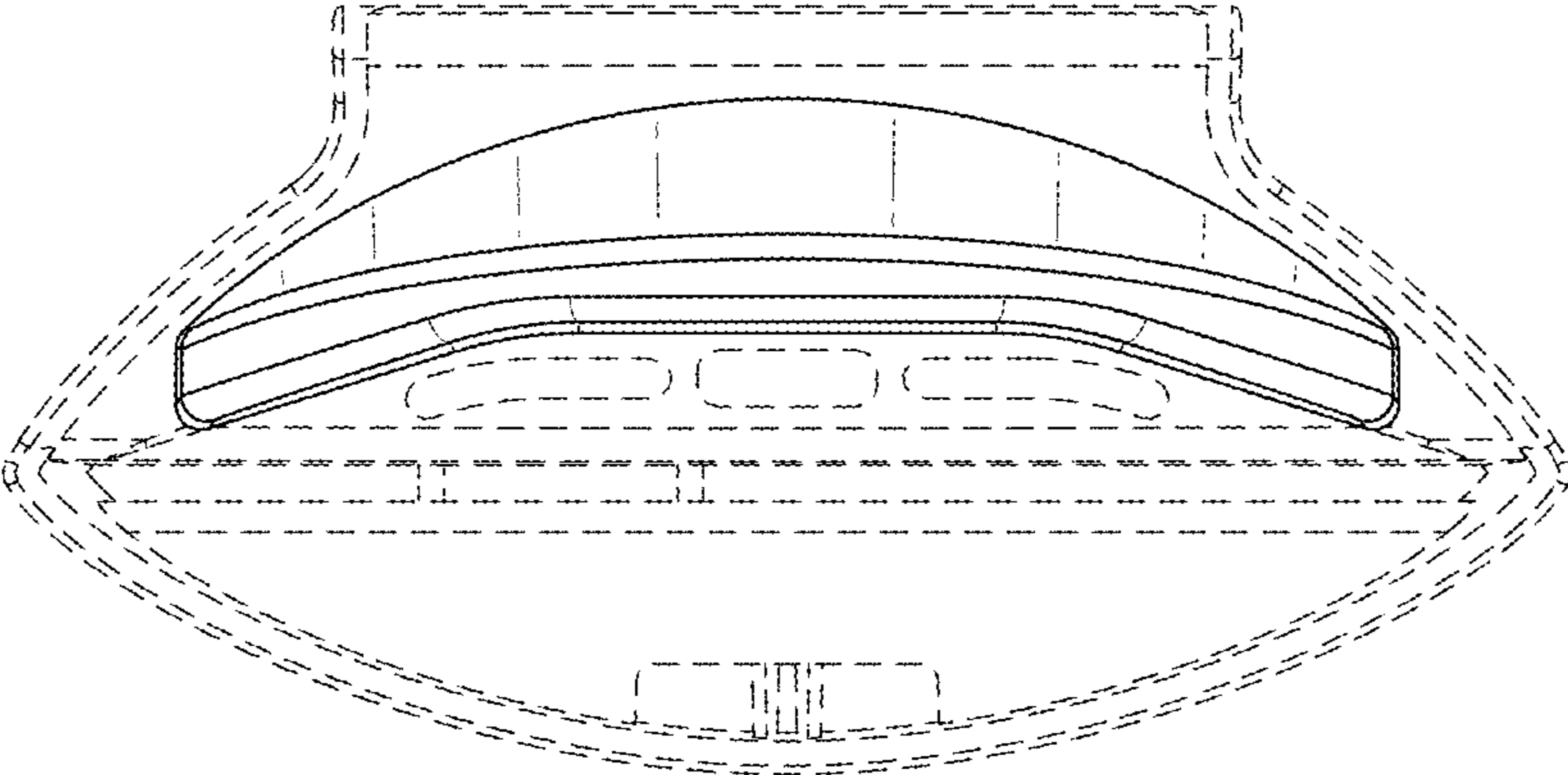


FIG. 6

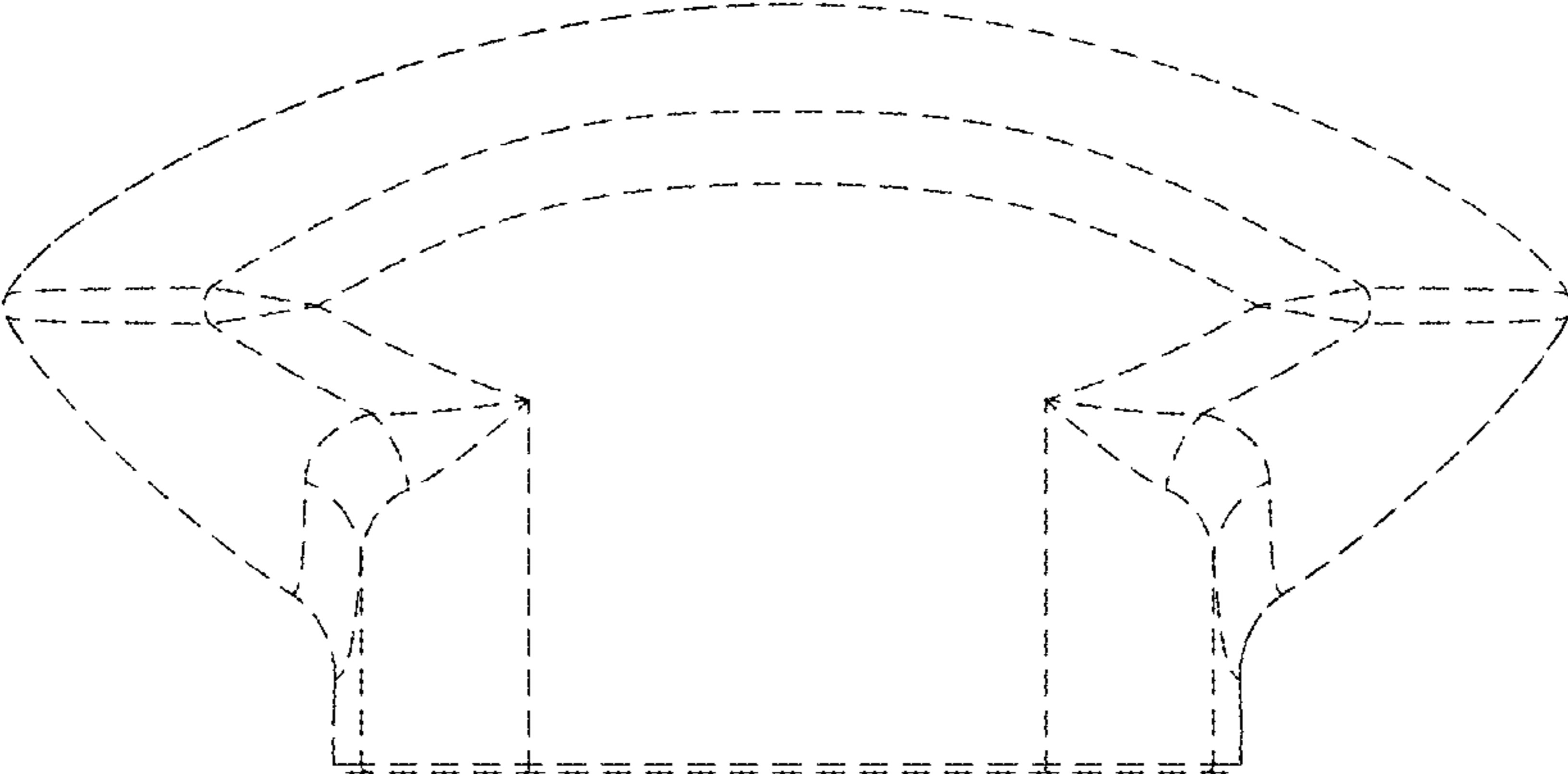


FIG. 7

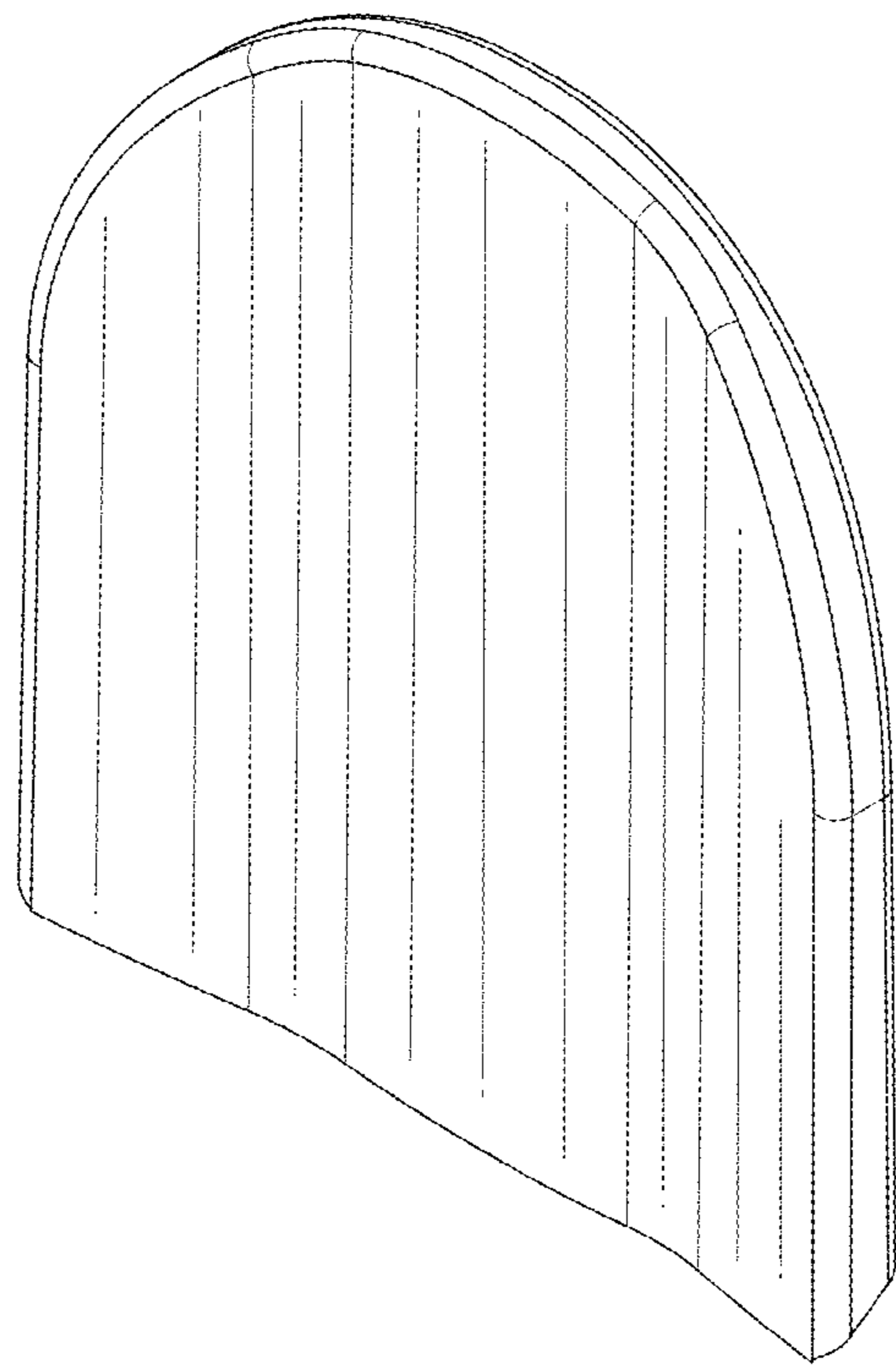


FIG. 8

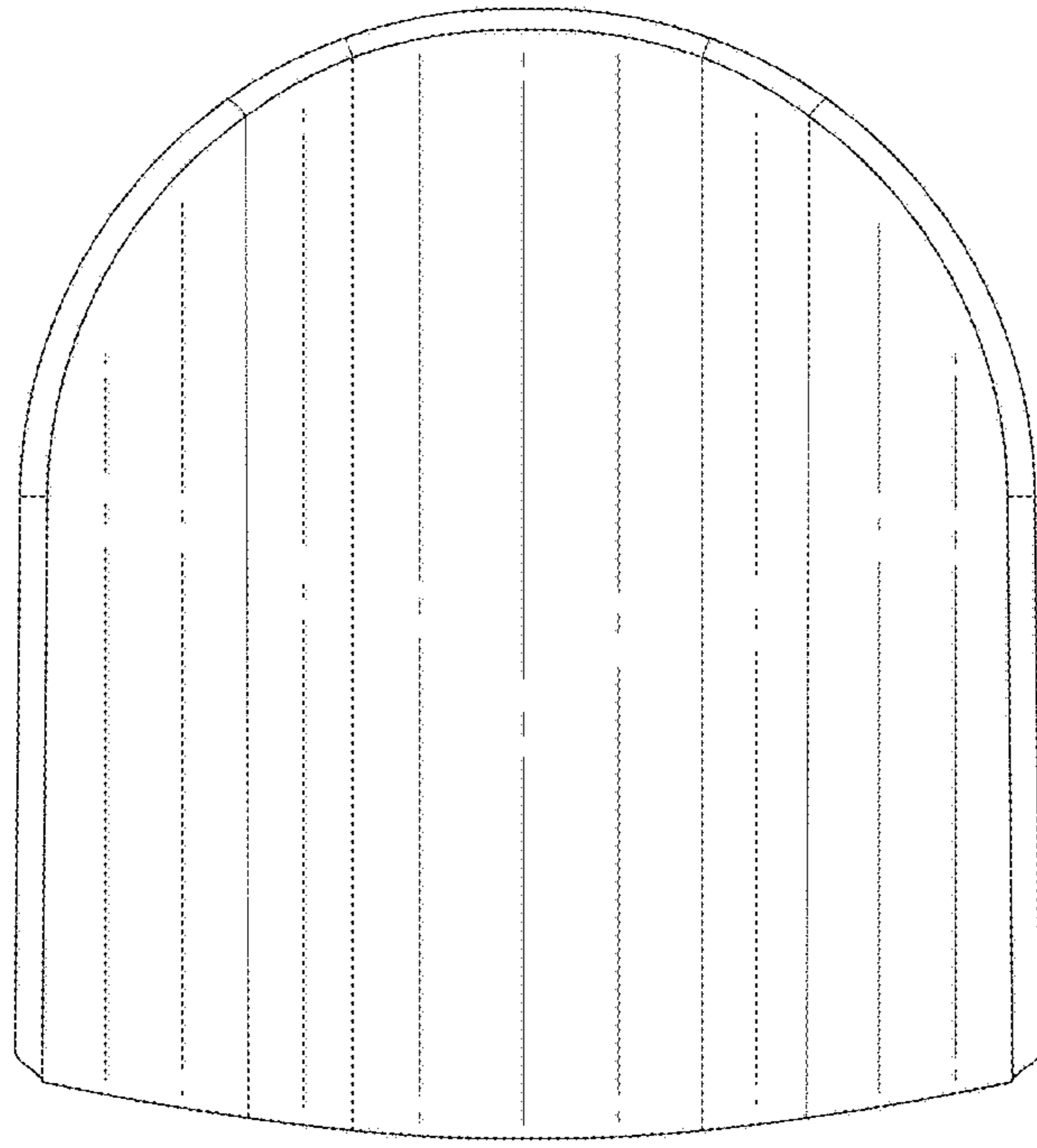


FIG. 9

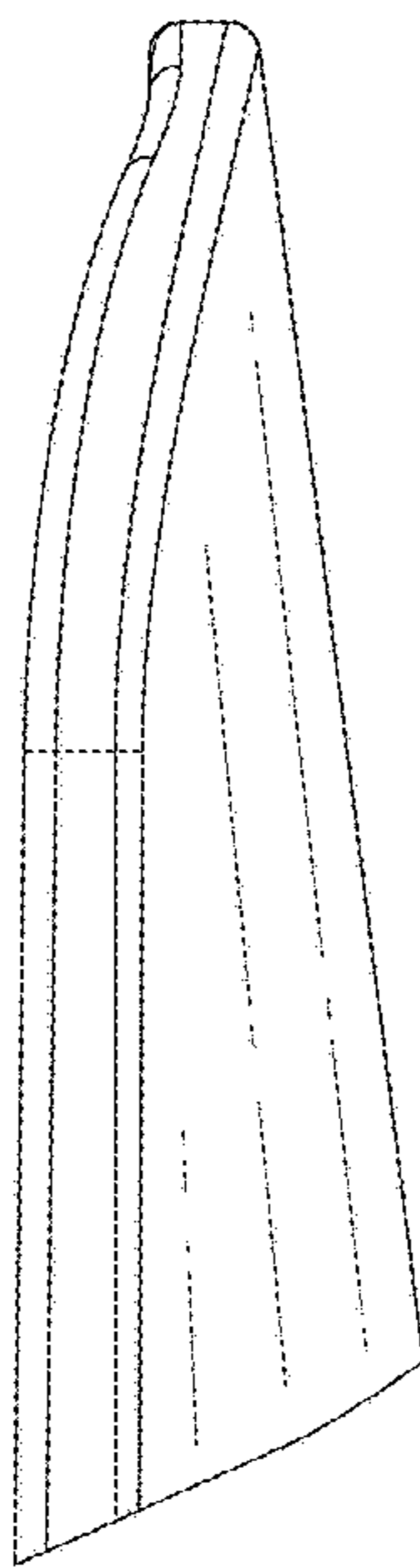


FIG. 10

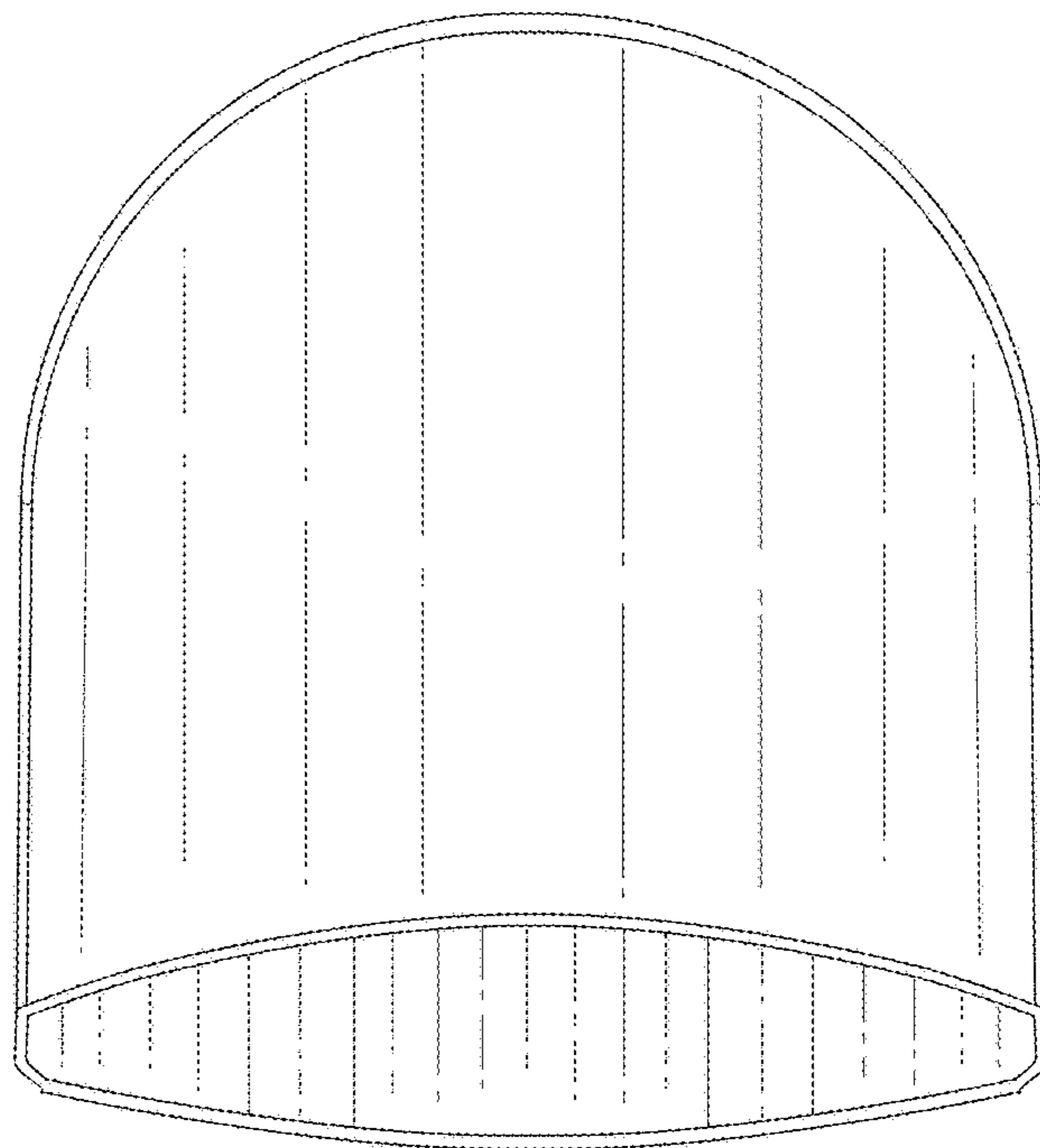


FIG. 11

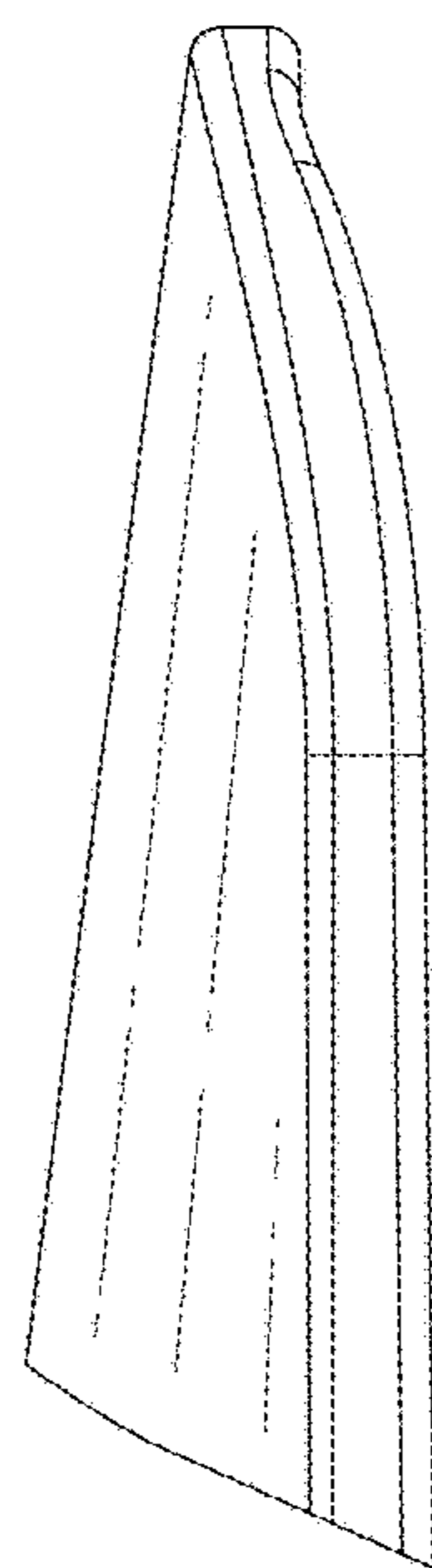


FIG. 12

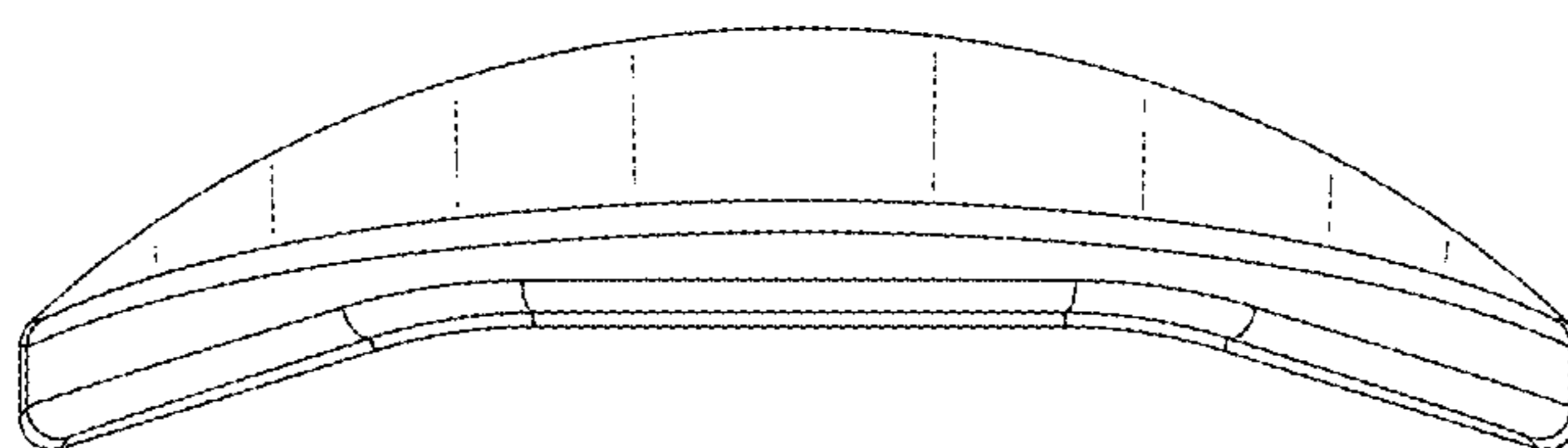


FIG. 13

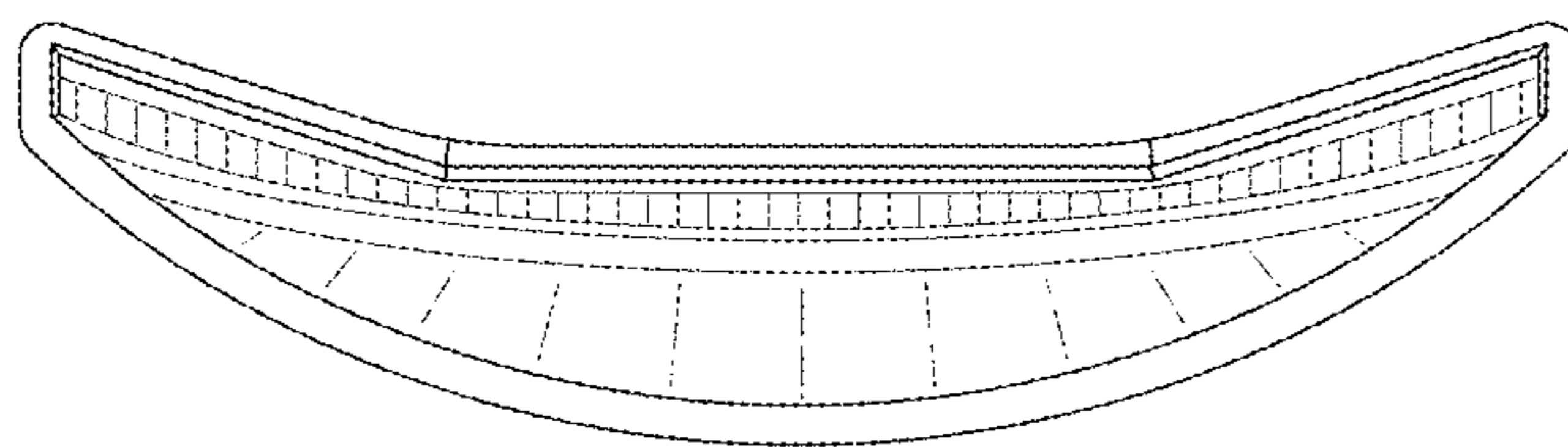


FIG. 14