



US00D834135S

(12) **United States Design Patent**
Hu et al.

(10) **Patent No.:** **US D834,135 S**
(45) **Date of Patent:** **** Nov. 20, 2018**

- (54) **REPELLENT ASSEMBLY**
- (71) Applicant: **DaVinci II CSJ, LLC**, Fairfield, NJ (US)
- (72) Inventors: **Bingo Hu**, Zhejiang (CN); **Ajit Khubani**, Saddle River, NJ (US)
- (73) Assignee: **Da Vinci II CSJ, LLC.**, Fairfield, NJ (US)
- (**) Term: **15 Years**
- (21) Appl. No.: **29/614,291**
- (22) Filed: **Aug. 17, 2017**
- (51) **LOC (11) Cl.** **22-06**
- (52) **U.S. Cl.**
USPC **D22/120**
- (58) **Field of Classification Search**
USPC D22/119–124; D23/366–369; 43/107, 43/112–113, 111, 124, 129, 131, 132.1, 43/144
CPC A01M 1/04; A01M 1/145
See application file for complete search history.

- 5,274,949 A * 1/1994 Beaton A01M 1/04 43/113
- D581,479 S * 11/2008 Caserta D22/123
- D611,579 S * 3/2010 Zlotnik D23/366
- 7,922,104 B2 * 4/2011 Zlotnik A61L 9/127 D23/366
- D797,883 S * 9/2017 Dalmau Arnal D22/122

* cited by examiner

Primary Examiner — Catherine R Oliver-Garcia
(74) *Attorney, Agent, or Firm* — Cooper & Dunham, LLP

(57) **CLAIM**

The ornamental design for a repellent assembly, as shown and described.

DESCRIPTION

FIG. 1 is a front perspective view of a repellent assembly in accordance with the present design;
FIG. 2 is a front view thereof;
FIG. 3 is a rear view thereof;
FIG. 4 is a left side view thereof;
FIG. 5 is a right side view thereof;
FIG. 6 is a top view thereof; and,
FIG. 7 is a bottom view thereof.

The broken lines represent unclaimed portions of the claimed design and are included for illustrative purposes only and form no part of the claimed design. The shading represents contour of the claimed design.

(56) **References Cited**

U.S. PATENT DOCUMENTS

- 4,074,457 A * 2/1978 Sato A01M 1/145 43/113
- D329,682 S * 9/1992 Yuen D22/123

1 Claim, 4 Drawing Sheets

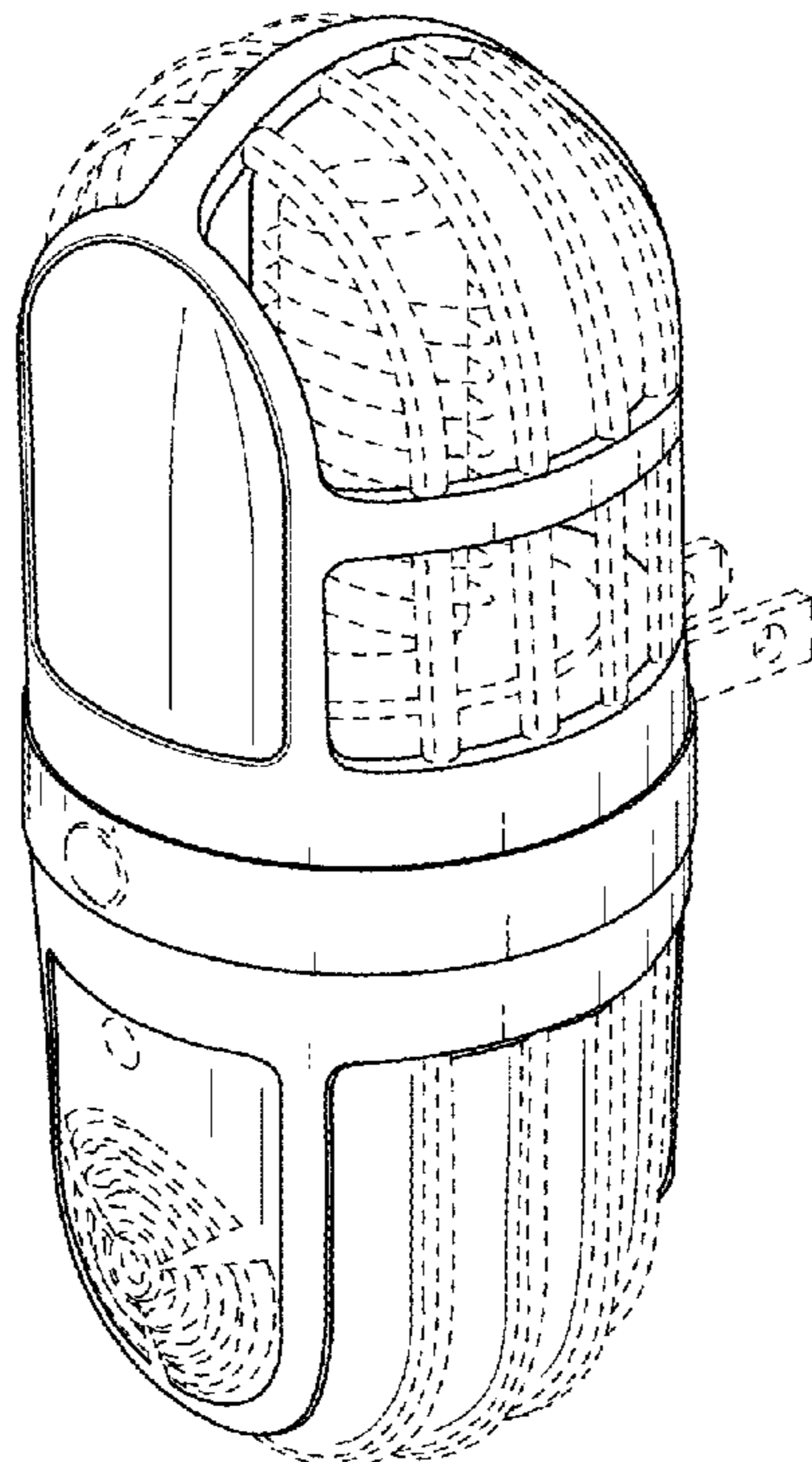


FIG. 1

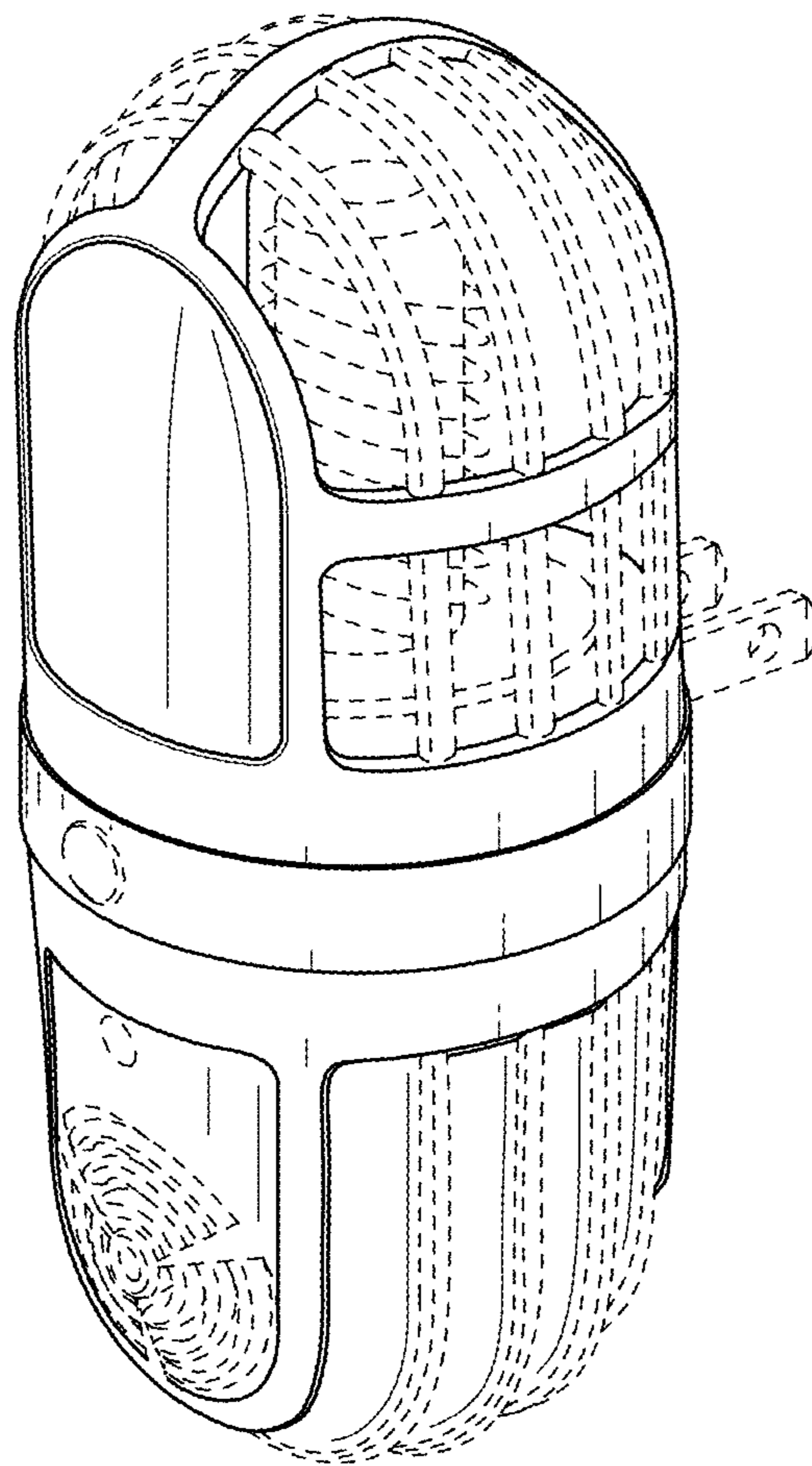


FIG. 3

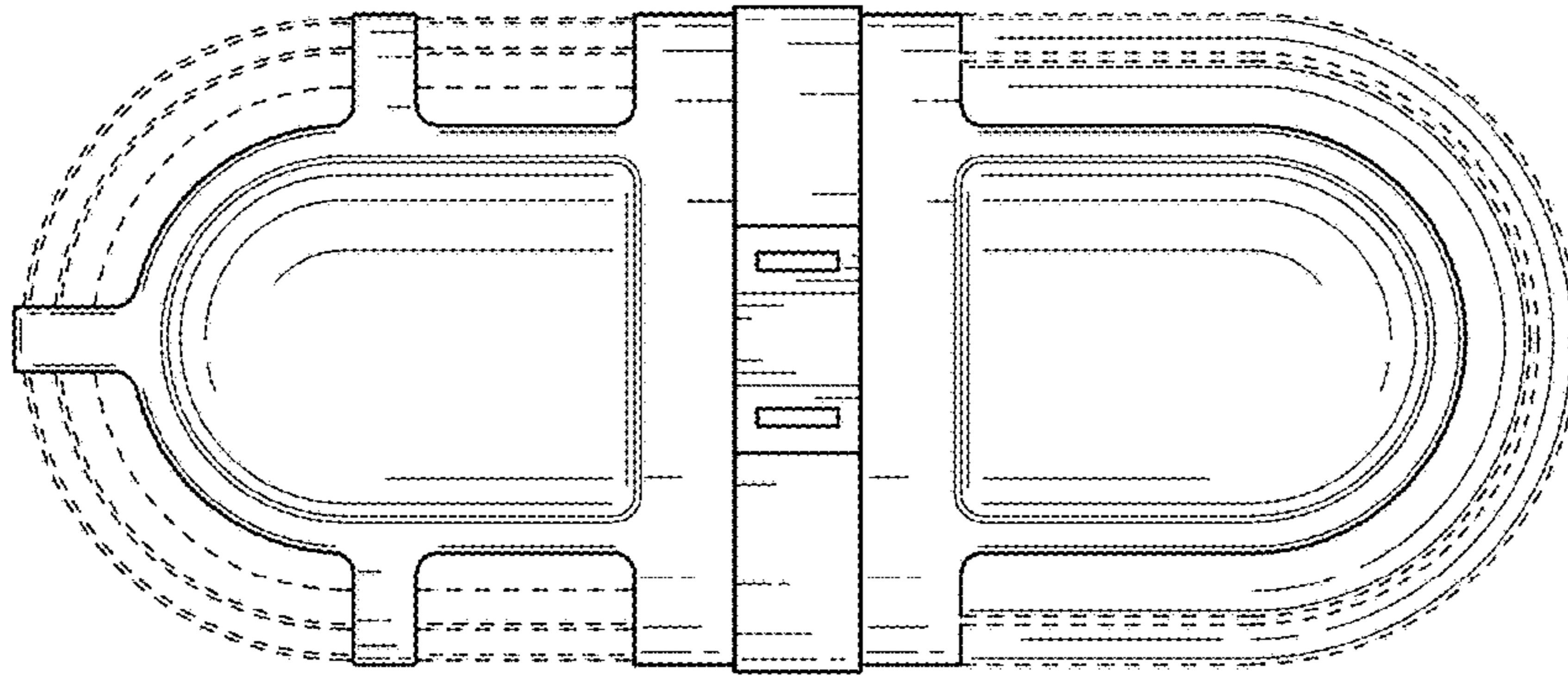


FIG. 2

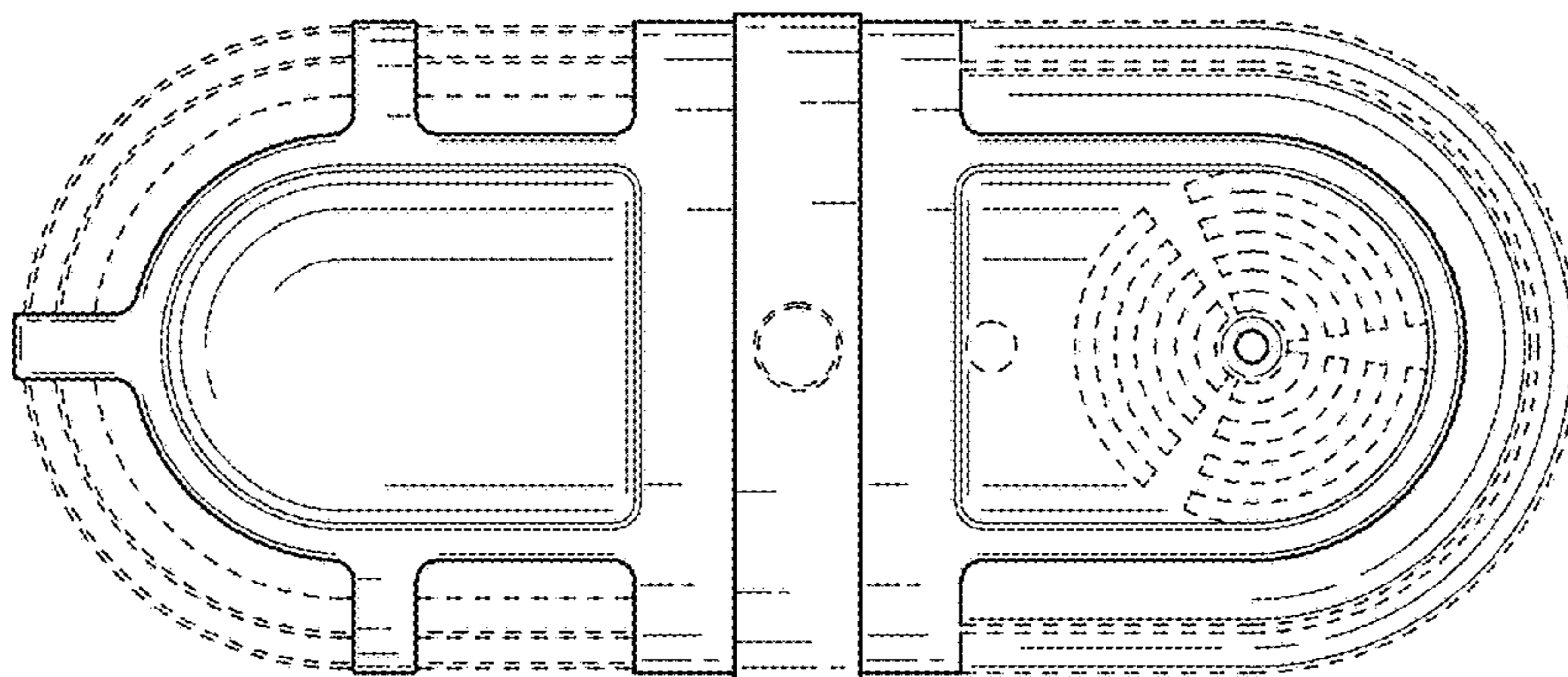


FIG. 5

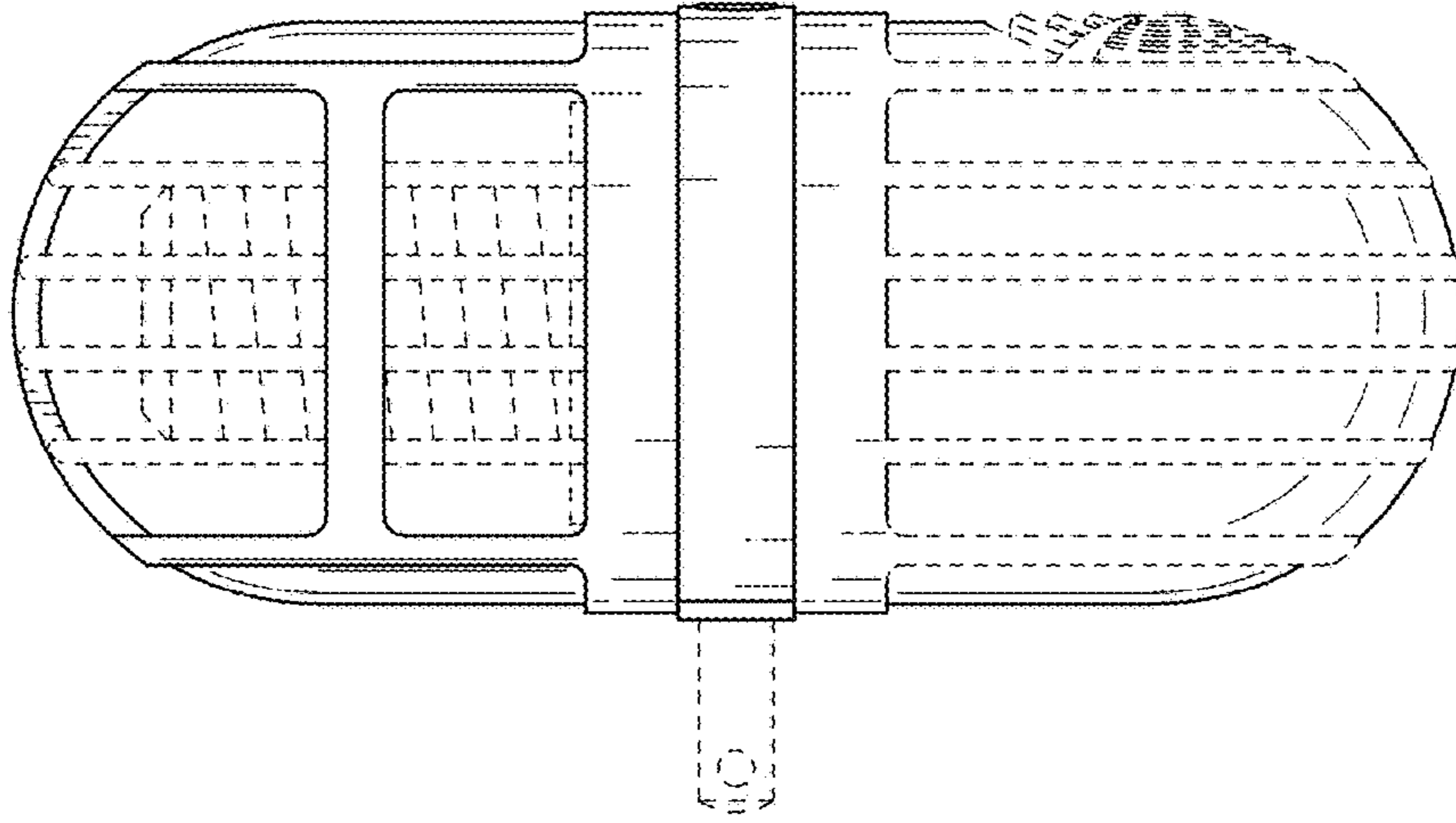


FIG. 4

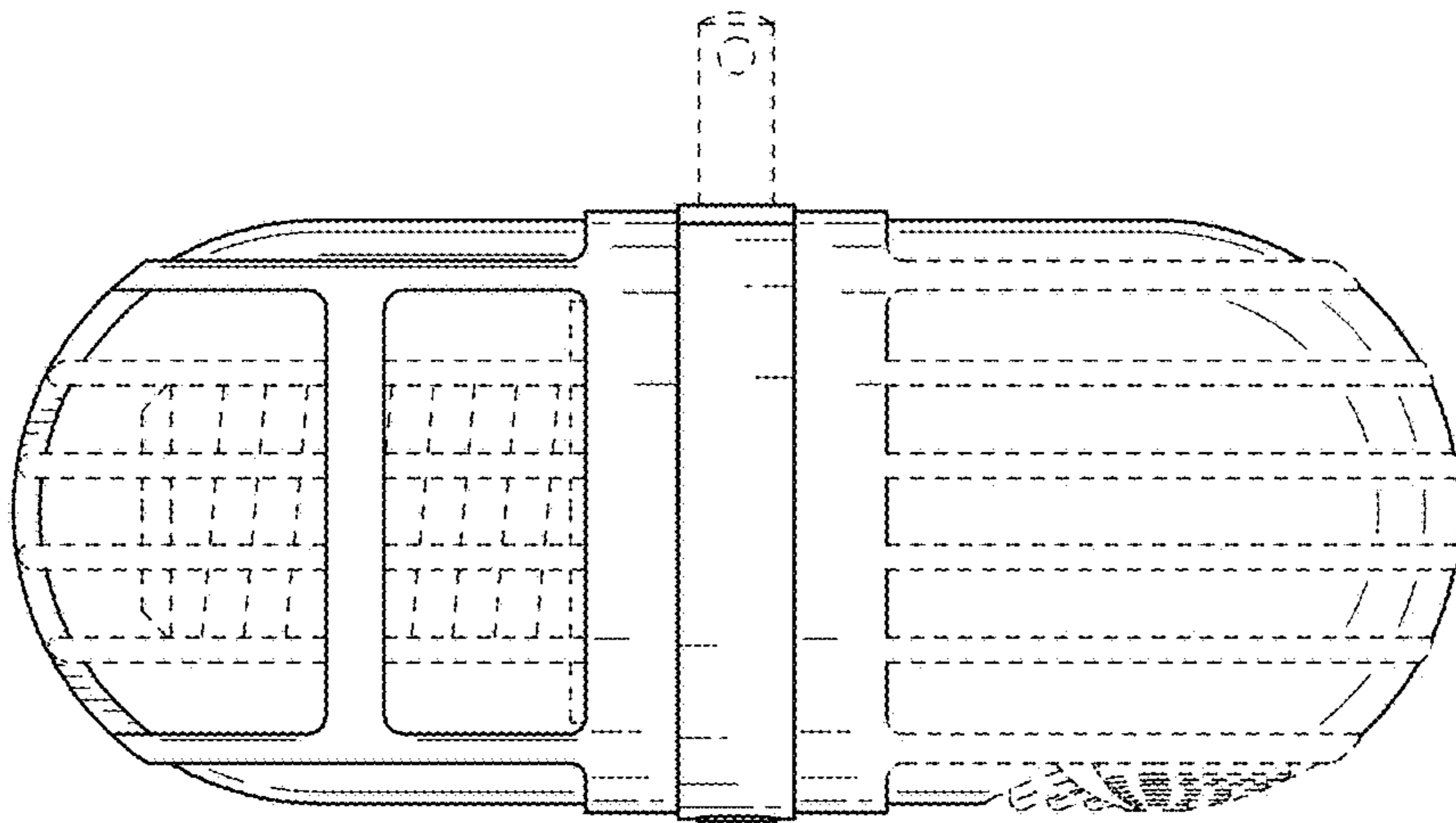


FIG. 6

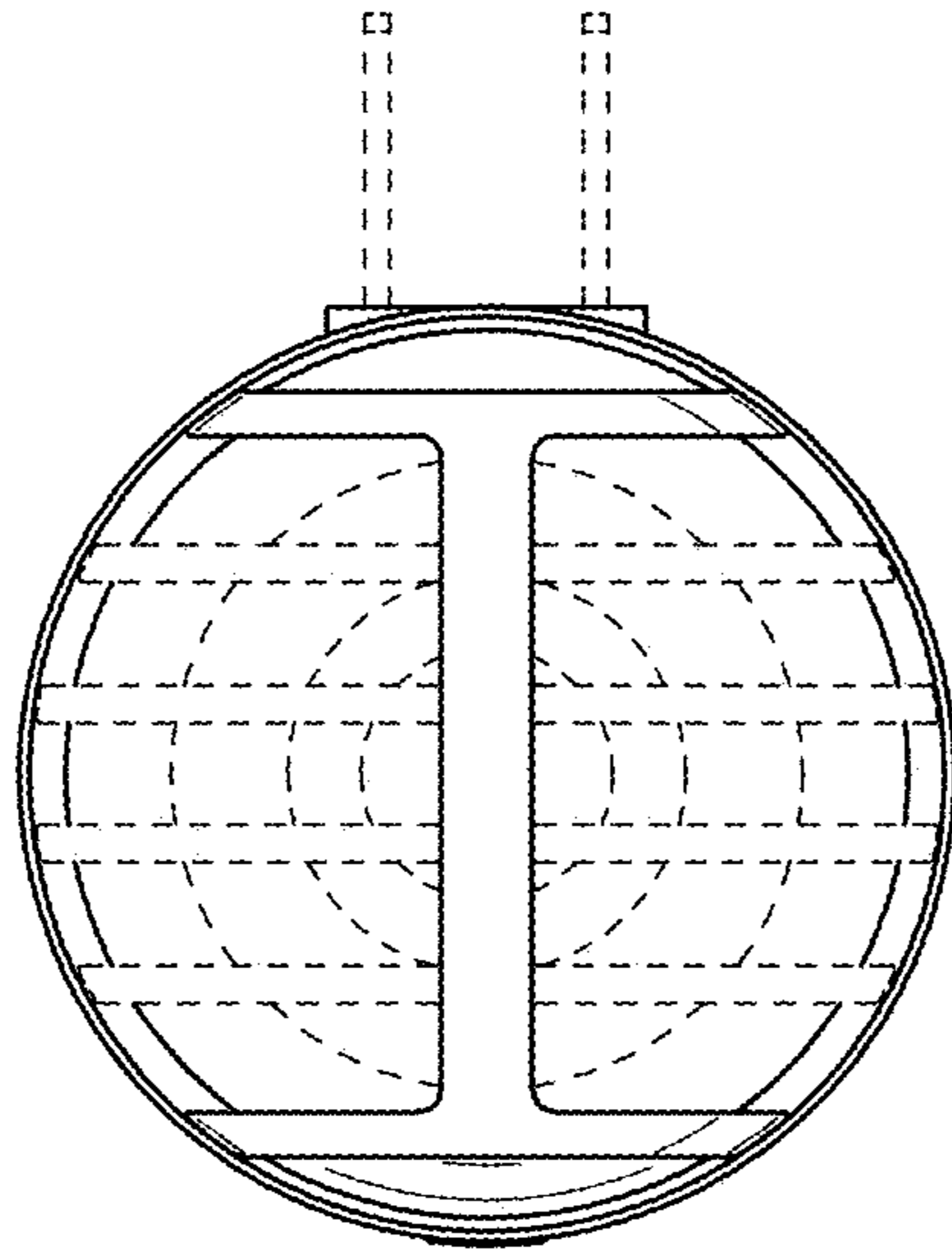


FIG. 7

